



US00D809705S

(12) **United States Design Patent**
Mironov

(10) **Patent No.:** **US D809,705 S**

(45) **Date of Patent:** **** *Feb. 6, 2018**

(54) **CIGARETTE-SHAPED CONSUMABLE**

(71) Applicant: **Philip Morris Products S.A.**,
Neuchatel (CH)

(72) Inventor: **Oleg Mironov**, Neuchatel (CH)

(73) Assignee: **PHILIP MORRIS PRODUCTS S.A.**,
Neuchatel (CH)

(*) Notice: This patent is subject to a terminal disclaimer.

(**) Term: **15 Years**

(21) Appl. No.: **29/551,785**

(22) Filed: **Jan. 15, 2016**

(30) **Foreign Application Priority Data**

Jul. 20, 2015 (EM) 002739458-0002
Jul. 20, 2015 (EM) 002739458-0004

(51) **LOC (11) Cl.** **27-01**

(52) **U.S. Cl.**
USPC **D27/101**

(58) **Field of Classification Search**
USPC D27/101, 100, 163-172
CPC A24D 1/00; A24D 1/002; A24D 1/004;
A24D 1/006; A24D 1/008; A24D 1/02;
A24D 1/022; A24D 1/025; A24D 1/027;
A24D 1/042; A24D 1/045; A24D 1/047
See application file for complete search history.

(56) **References Cited**

U.S. PATENT DOCUMENTS

1,761,205 A * 6/1930 Gibson A24D 1/042
131/331
4,877,040 A * 10/1989 Jansma A24D 1/045
131/188
4,998,543 A * 3/1991 Goodman A24D 1/02
131/365
D453,854 S * 2/2002 Verhoeven-Koster D27/101

D590,988 S * 4/2009 Hon D27/101
D590,989 S * 4/2009 Hon D27/101
D590,990 S * 4/2009 Hon D27/101
D590,991 S * 4/2009 Hon D27/101

(Continued)

FOREIGN PATENT DOCUMENTS

EM 002490557-0001 6/2014
EM 002490557-0002 6/2014
EM 002490557-0003 6/2014

OTHER PUBLICATIONS

Examination Report issued Aug. 4, 2016 in Israeli Patent Application No. 57968.

Primary Examiner — Karen E Kearney

Assistant Examiner — Jennifer M Campbell

(74) *Attorney, Agent, or Firm* — Oblon, McClelland, Maier & Neustadt, L.L.P.

(57) **CLAIM**

The ornamental design for a cigarette-shaped consumable, as shown and described.

DESCRIPTION

The file of this patent contains drawings/photographs of FIGS. 1 and 6, executed in color. Copies of this patent with color drawings/photographs will be provided by the Office upon request and payment of the necessary fee.

FIG. 1 is a top, front perspective view of a cigarette-shaped consumable according to my design;

FIG. 2 is a bottom, front perspective view thereof;

FIG. 3 is a front elevational view thereof;

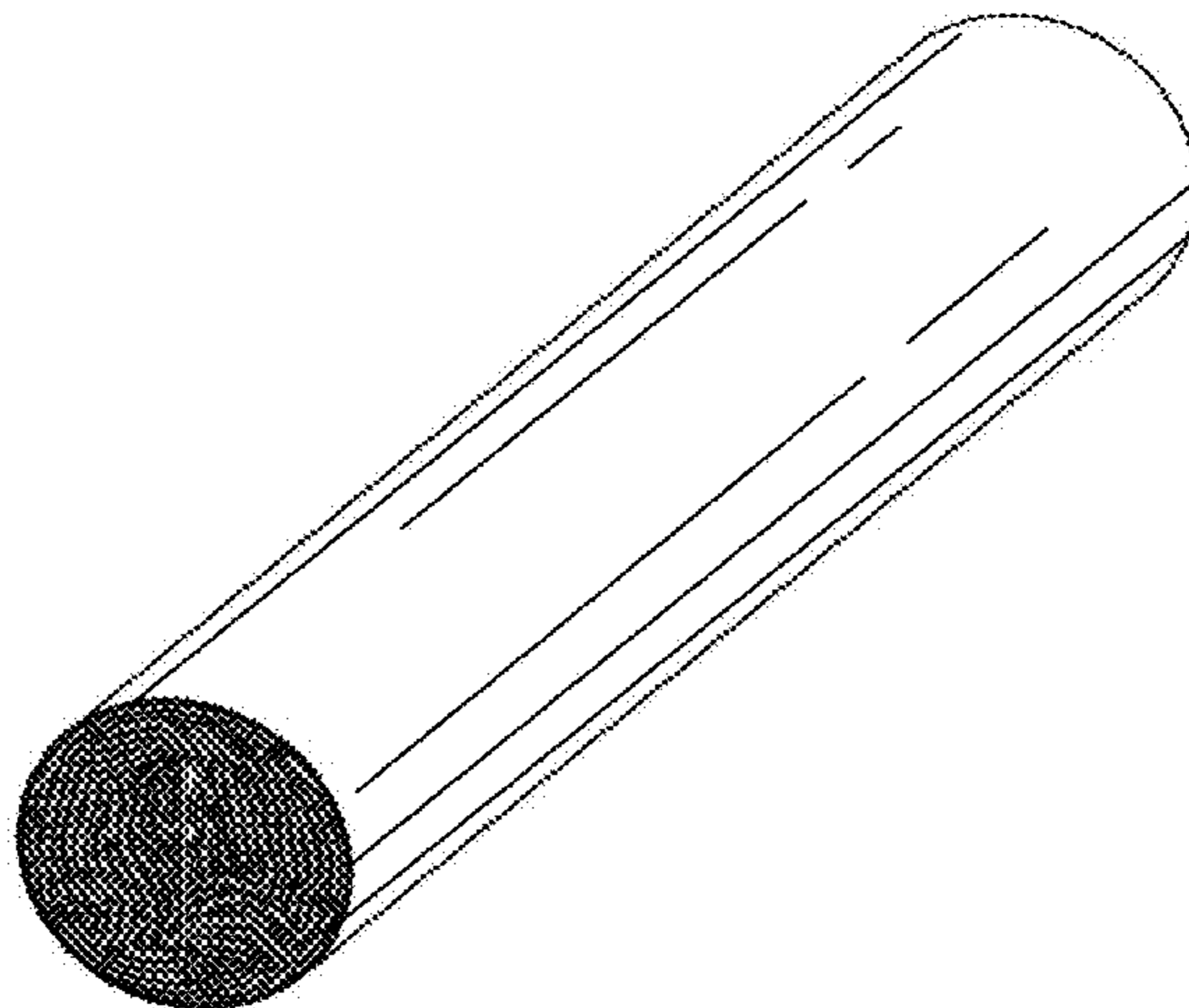
FIG. 4 is a back elevational view thereof;

FIG. 5 is a left side elevational view thereof, the right side elevational view being a mirror image of the left side elevational view;

FIG. 6 is a top elevational view thereof; and,

FIG. 7 is a bottom elevational view thereof.

1 Claim, 7 Drawing Sheets
(2 of 7 Drawing Sheet(s) Filed in Color)



(56)

References Cited

U.S. PATENT DOCUMENTS

D646,431	S *	10/2011	Awty	D27/101
D651,338	S *	12/2011	Awty	D27/101
D662,257	S *	6/2012	Alelov	D27/101
D666,355	S *	8/2012	Alelov	D27/101
D685,522	S *	7/2013	Potter	D27/101
D727,565	S *	4/2015	LaForge	D27/101
D729,439	S *	5/2015	Scatterday	D27/101
D750,834	S *	3/2016	Wei	D27/101
D750,835	S *	3/2016	Wei	D27/101
D762,000	S *	7/2016	Liu	D27/101
D762,326	S *	7/2016	Liu	D27/101
D779,719	S *	2/2017	Qiu	D27/101
2005/0051185	A1 *	3/2005	Rasouli	A24B 15/28 131/365
2007/0163612	A1 *	7/2007	Miser	A24B 15/18 131/364
2017/0079325	A1 *	3/2017	Mironov	A24B 3/14

* cited by examiner

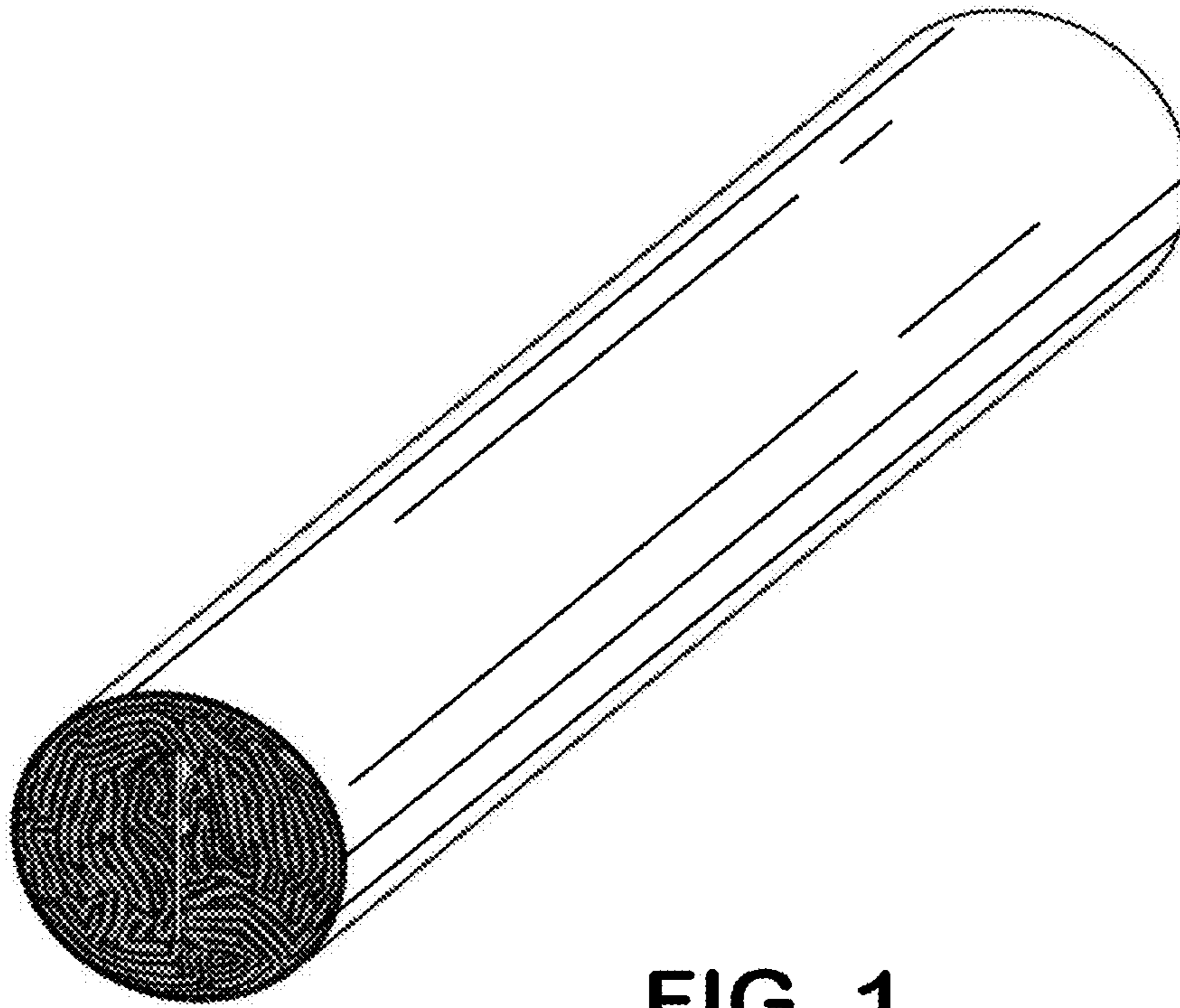


FIG. 1

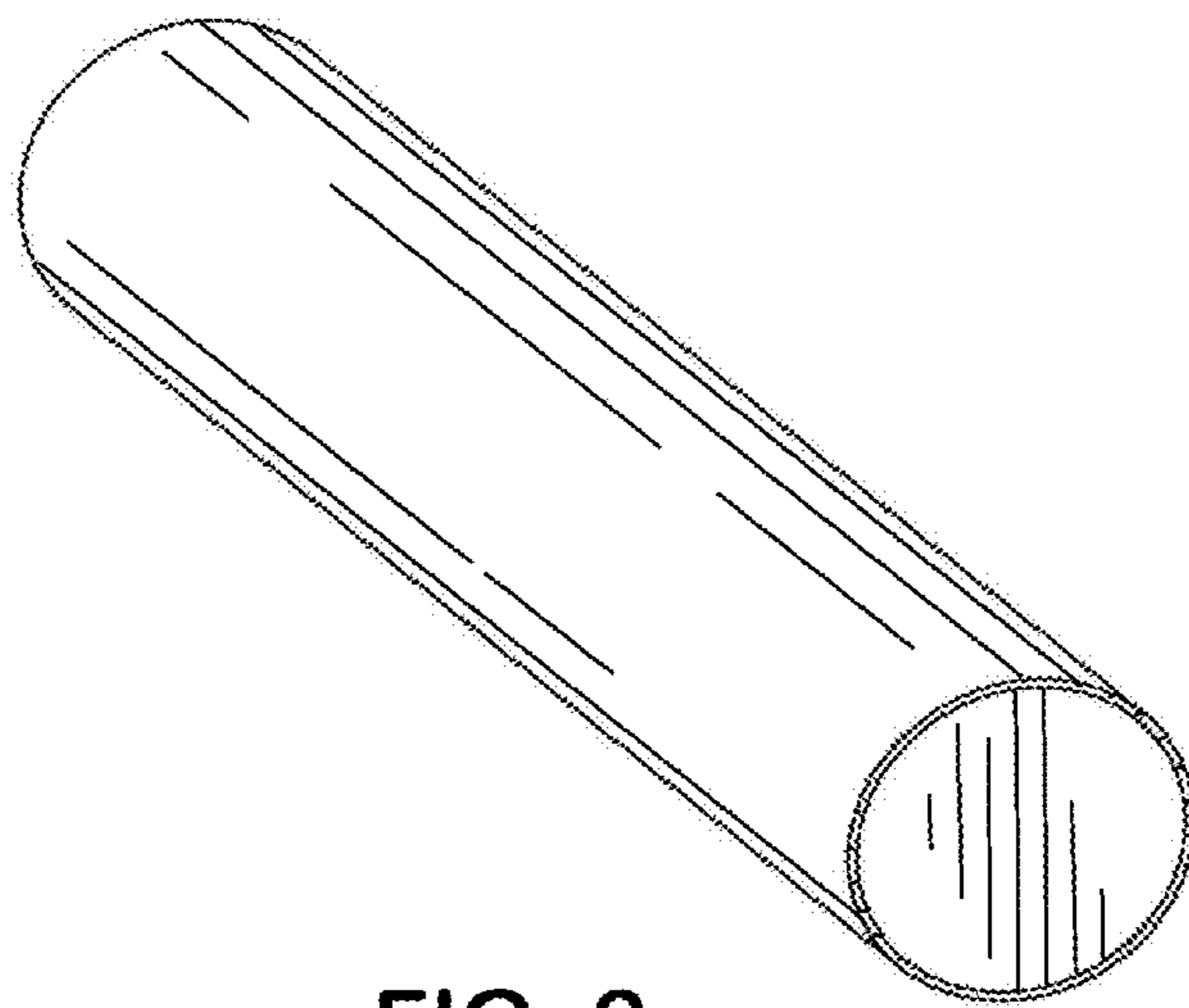


FIG. 2

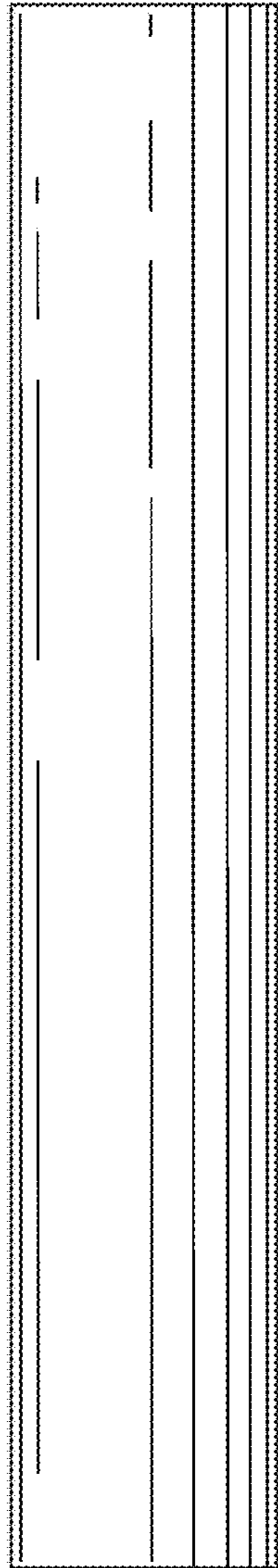


FIG. 3

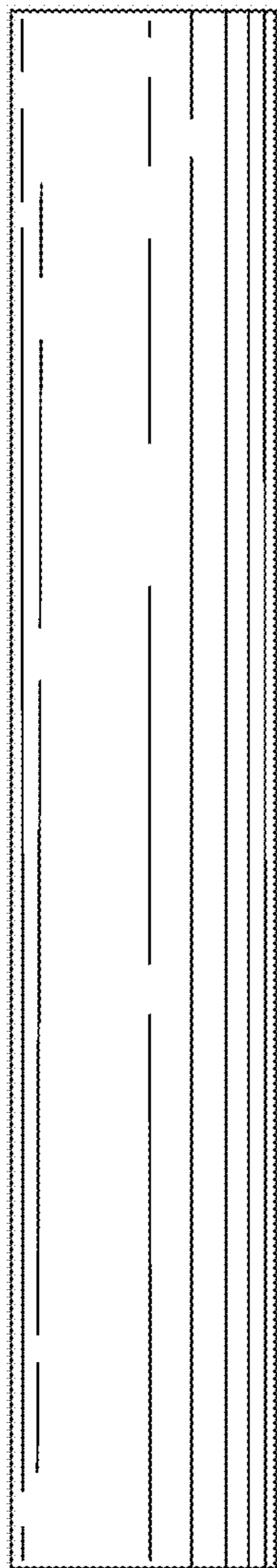


FIG. 4

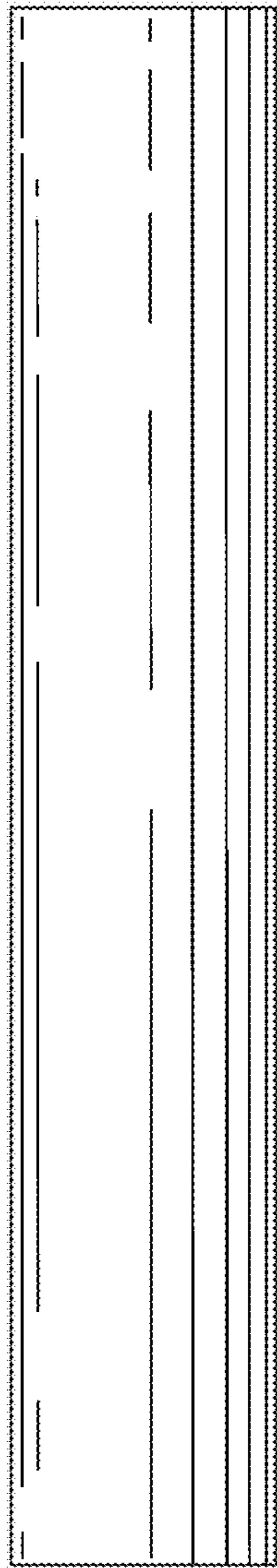


FIG. 5

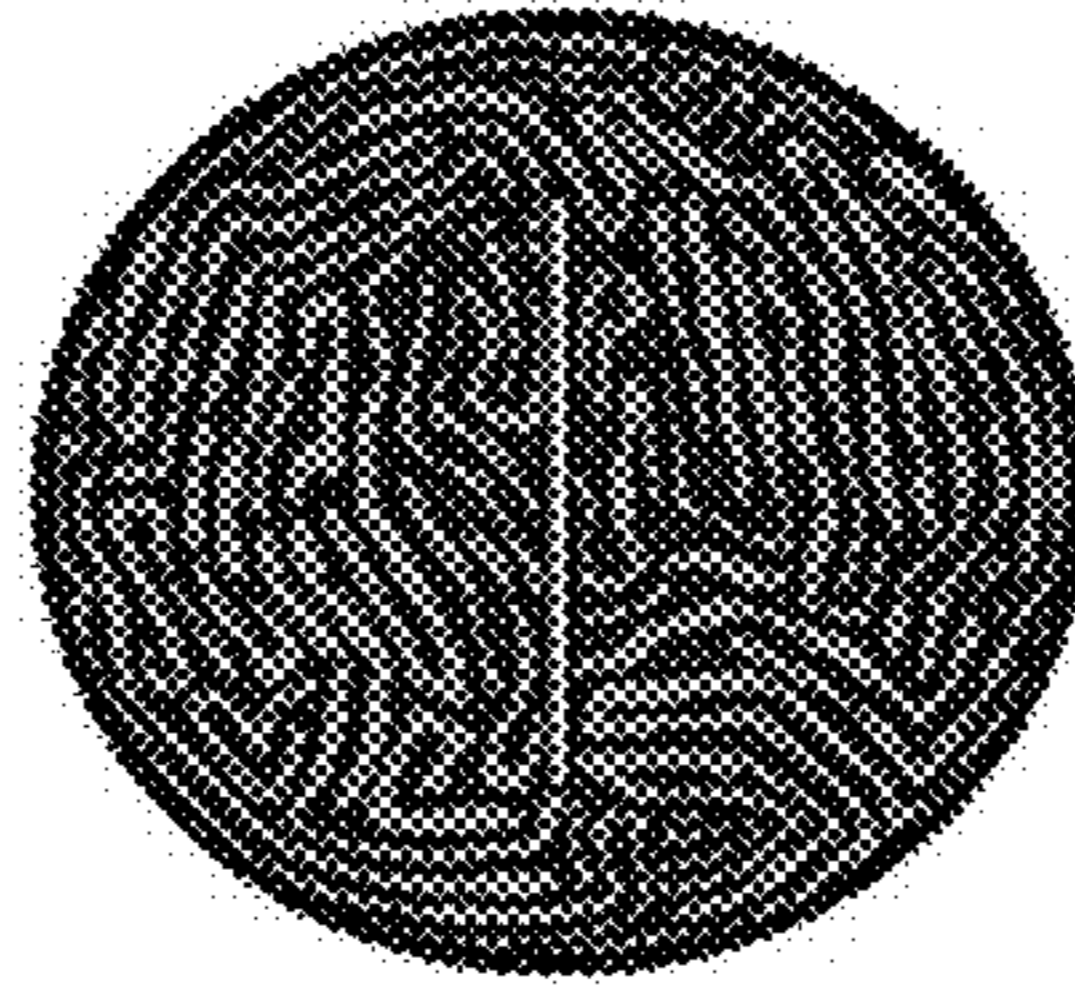


FIG. 6

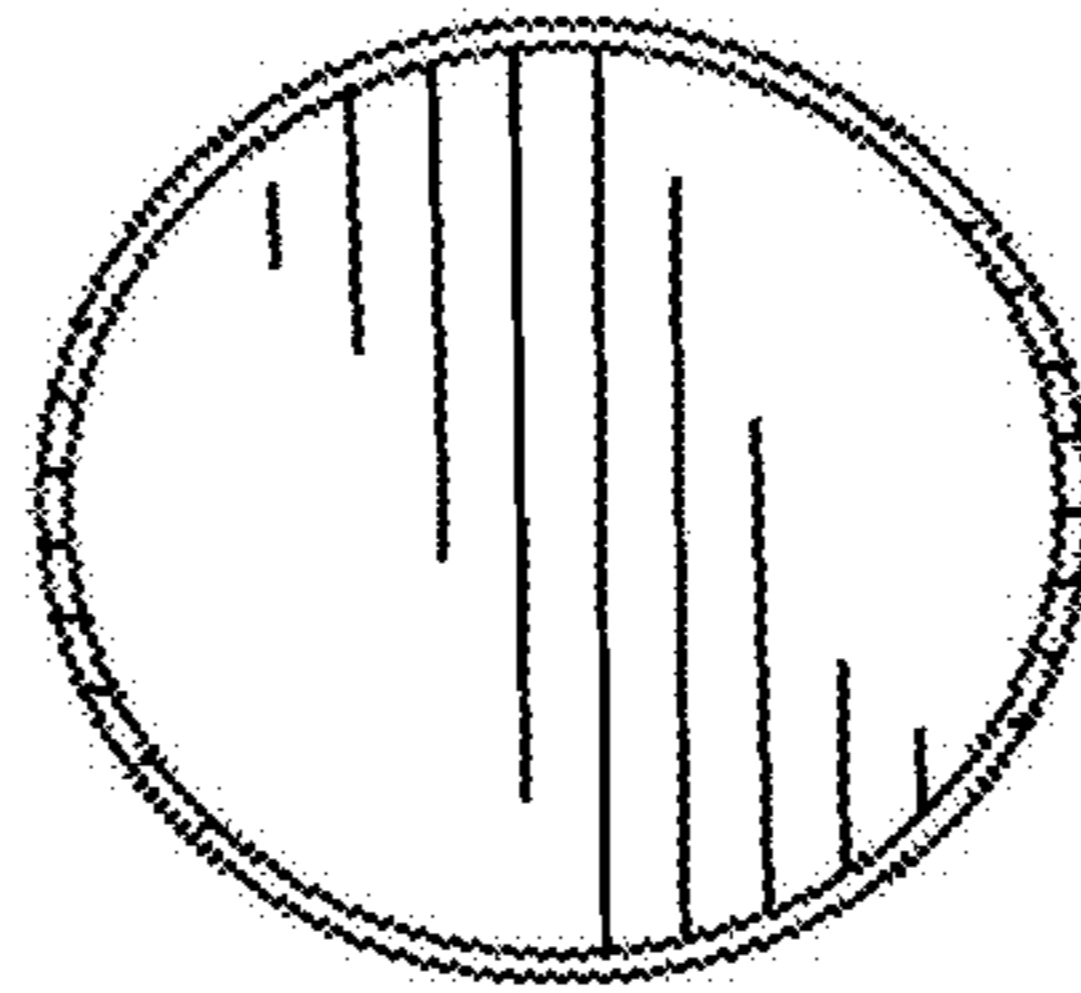


FIG. 7