



US00D809703S

(12) **United States Design Patent**
Lin et al.

(10) **Patent No.:** **US D809,703 S**
(45) **Date of Patent:** **** Feb. 6, 2018**

- (54) **LED ENDCAP**
- (71) Applicant: **Energy Focus, Inc.**, Solon, OH (US)
- (72) Inventors: **David Y. Lin**, Dublin, CA (US); **Ming Jie Tsai**, New Taipei (TW)
- (73) Assignee: **ENERGY FOCUS, INC.**, Solon, OH (US)
- (**) Term: **15 Years**

D603,086 S *	10/2009	Zayas	D26/113
D616,822 S *	6/2010	Zayas	D13/134
D647,665 S *	10/2011	Duster	D26/138
D744,127 S *	11/2015	Glachman	D26/3
D783,198 S *	4/2017	Cartellone	D26/138
D797,323 S *	9/2017	Yang	D26/3

FOREIGN PATENT DOCUMENTS

TW	D104840	5/2005
TW	D121951	10/2008

OTHER PUBLICATIONS

Taiwanese Notice of Allowance dated Sep. 28, 2017, 3 pages.

* cited by examiner

Primary Examiner — George D. Kirschbaum
Assistant Examiner — Natasha Vujcic
 (74) *Attorney, Agent, or Firm* — Rankin, Hill & Clark LLP

- (21) Appl. No.: **29/576,367**
- (22) Filed: **Sep. 2, 2016**
- (51) **LOC (11) Cl.** **26-05**
- (52) **U.S. Cl.**
USPC **D26/138**
- (58) **Field of Classification Search**
USPC D26/76, 78, 79, 80, 81, 82, 83, 85, 86,
D26/88, 90, 113, 118, 119, 120, 121, 122,
D26/138, 139, 140, 141, 142, 152, 154
CPC F21S 2/00; F21S 4/00; F21S 4/003; F21S
4/005; F21S 4/006; F21S 4/007; F21S
4/008; F21S 6/00; F21S 8/00; F21S
8/024; F21S 8/026; F21S 8/031; F21S
8/033; F21S 8/035–8/037; F21S 8/04;
F21S 8/043; F21S 8/063
See application file for complete search history.

(57) **CLAIM**

The ornamental design for a LED endcap, as shown and described.

DESCRIPTION

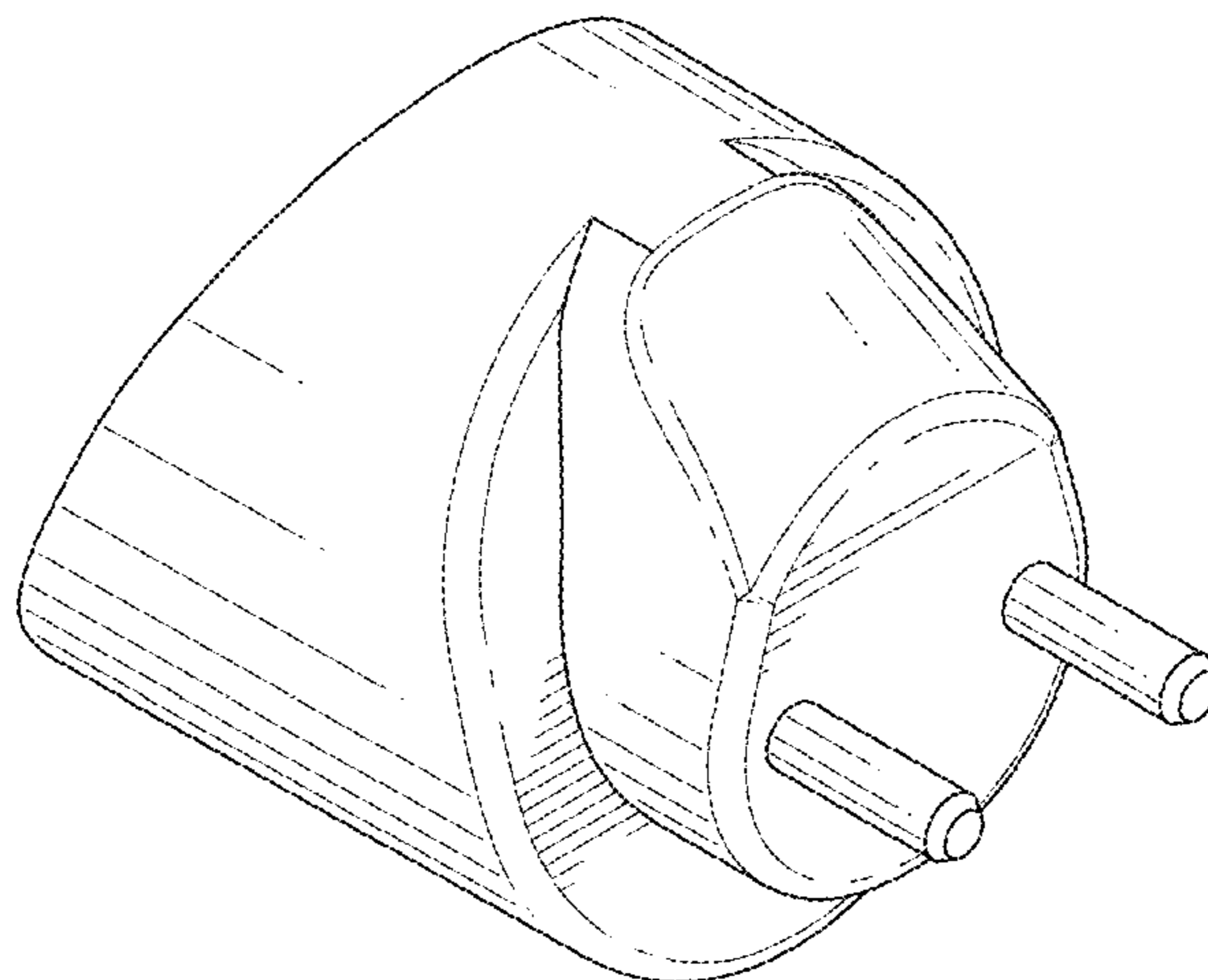
FIG. 1 is a front top perspective view of an LED endcap; FIG. 2 is a rear bottom perspective view thereof; FIG. 3 is a front elevation view thereof; FIG. 4 is a rear elevation view thereof; FIG. 5 is a left side elevation view thereof; FIG. 6 is a right side elevation view thereof; FIG. 7 is a top plan view thereof; FIG. 8 is a bottom plan view thereof; and, FIG. 9 is a perspective view of usage thereof. The broken lines in the drawings, which illustrate environmental structure or boundaries of the LED endcap, do not form a part of the claimed design.

(56) **References Cited**

U.S. PATENT DOCUMENTS

D291,556 S *	8/1987	Engel	D13/135
D448,096 S *	9/2001	Choi	D26/3
D457,664 S	5/2002	Moriyama et al.	
D513,079 S *	12/2005	Kluijfhout	D26/3
D514,515 S *	2/2006	Wiskerke	D13/134
D516,511 S *	3/2006	Wiskerke	D13/134
D557,860 S	12/2007	Kitagawa et al.	
D560,023 S	1/2008	Kitagawa et al.	
D574,093 S	7/2008	Kitagawa et al.	
D603,085 S *	10/2009	Kovacs	D26/113

1 Claim, 5 Drawing Sheets



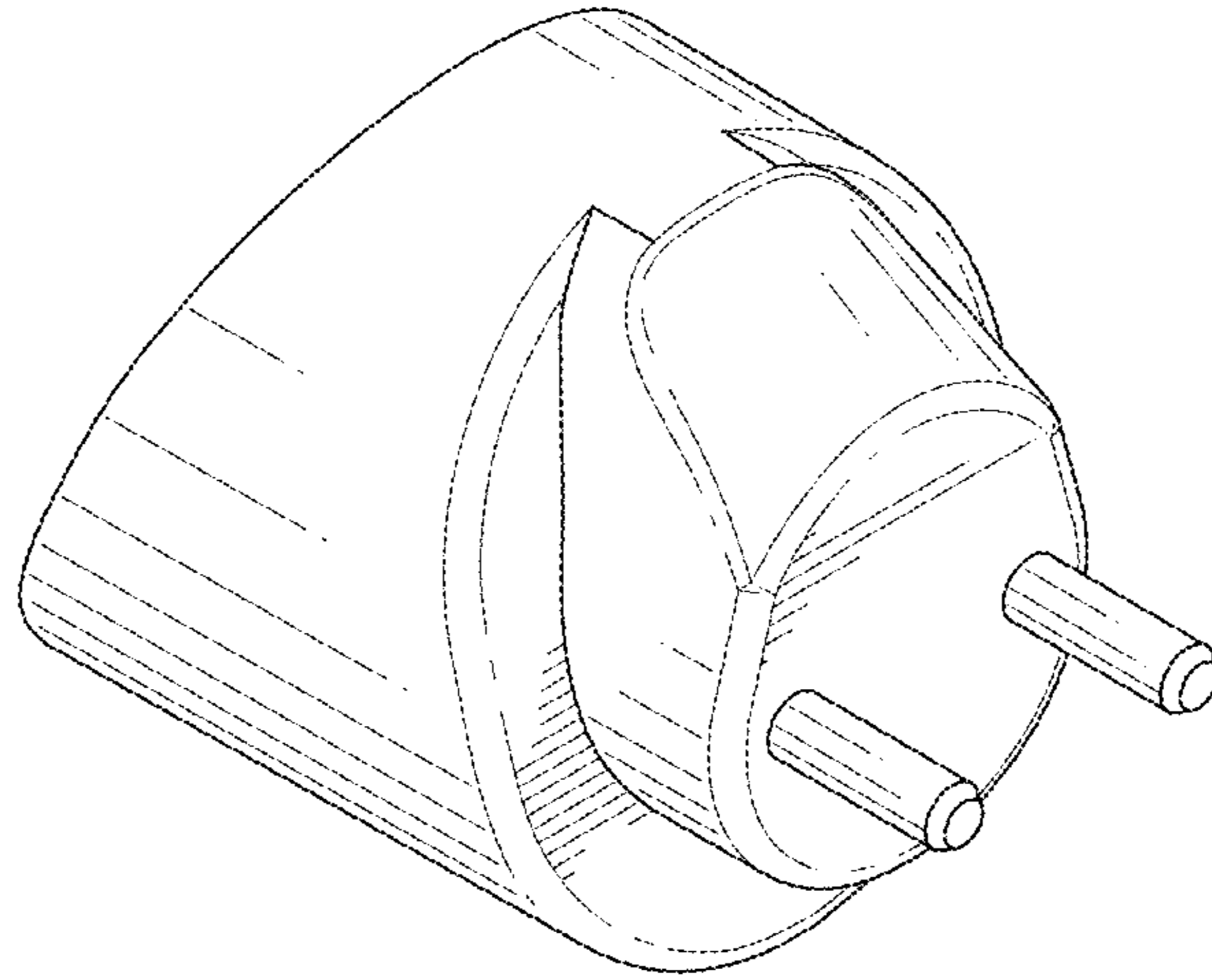


FIG. 1

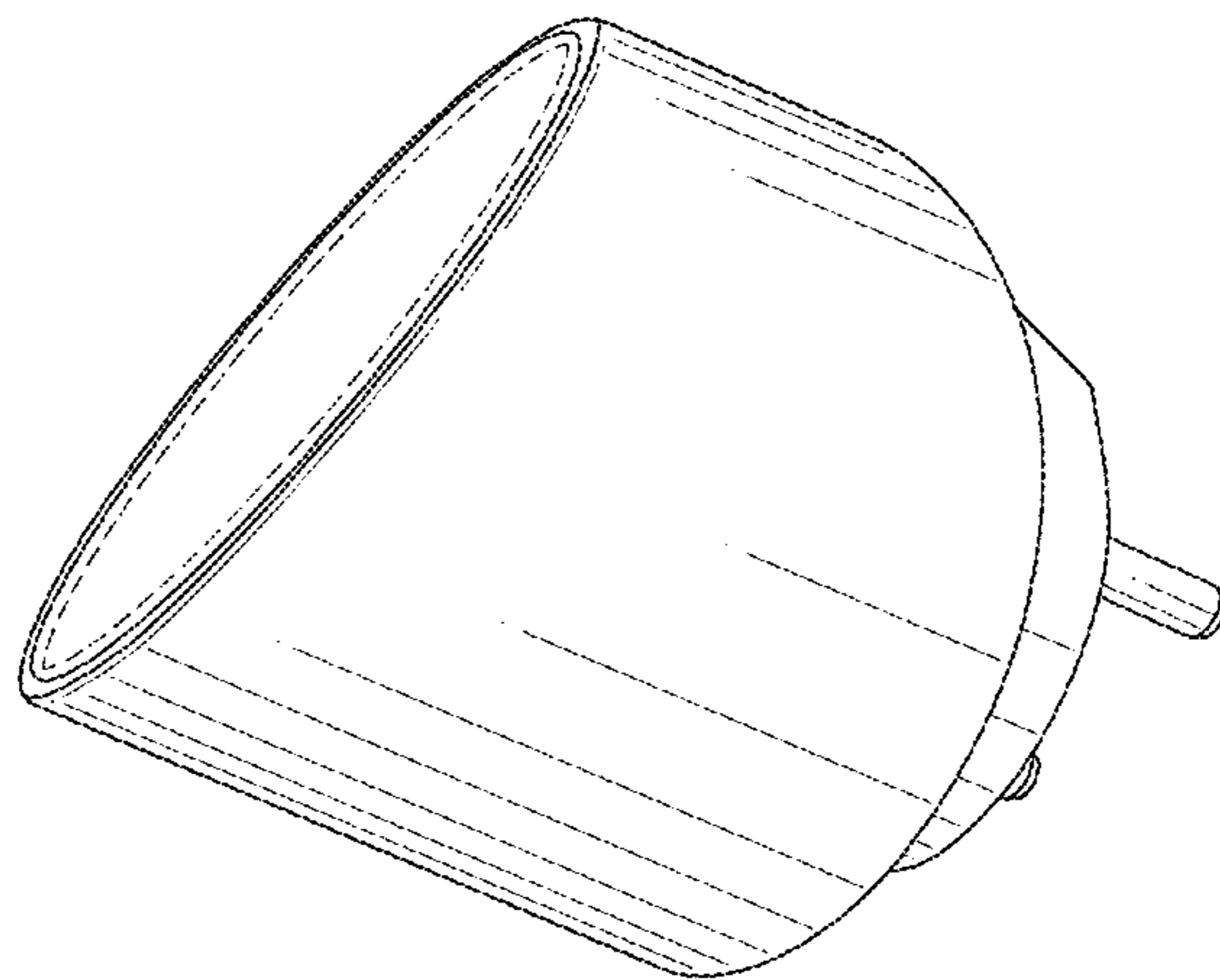


FIG. 2

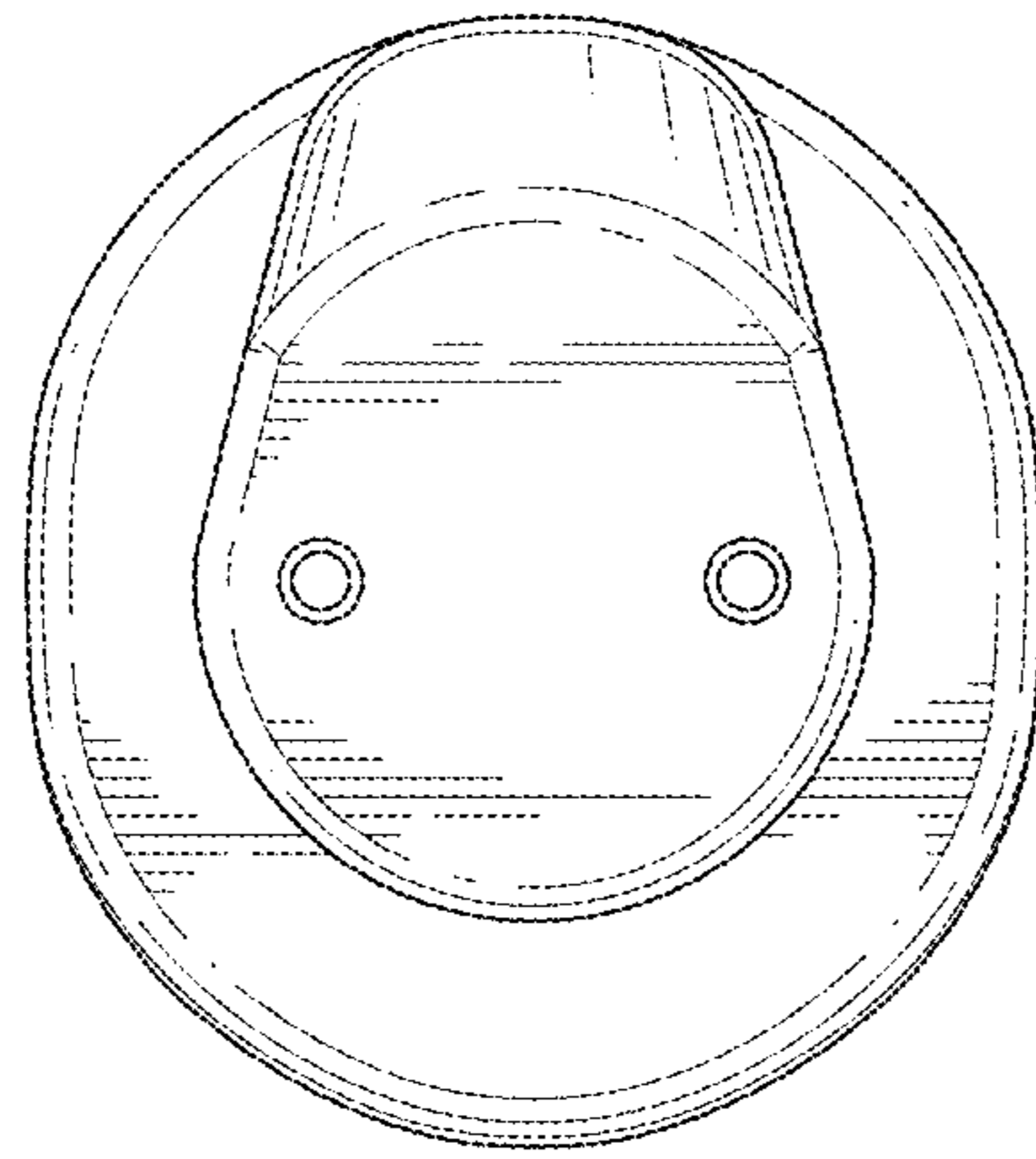


FIG. 3

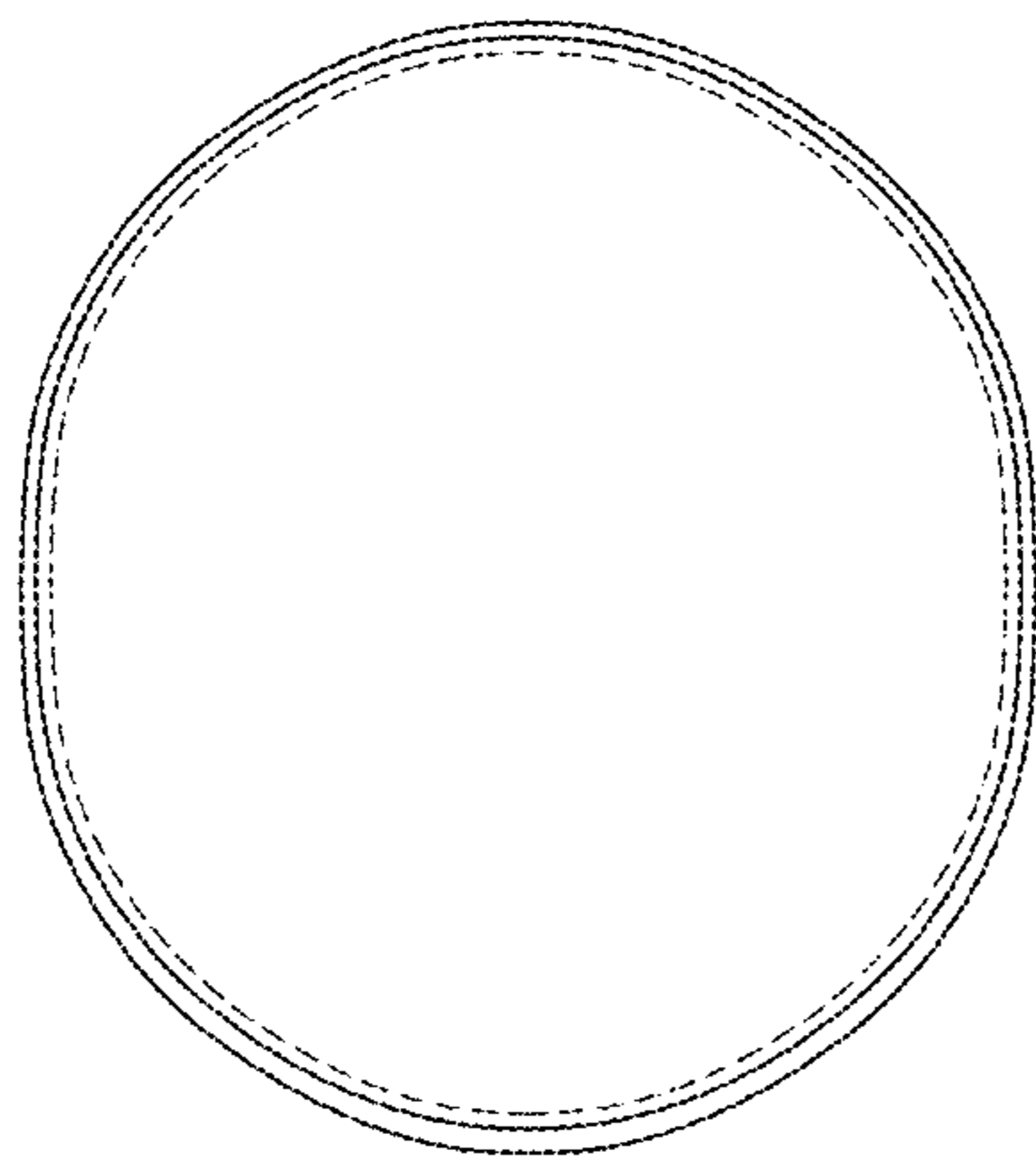


FIG. 4

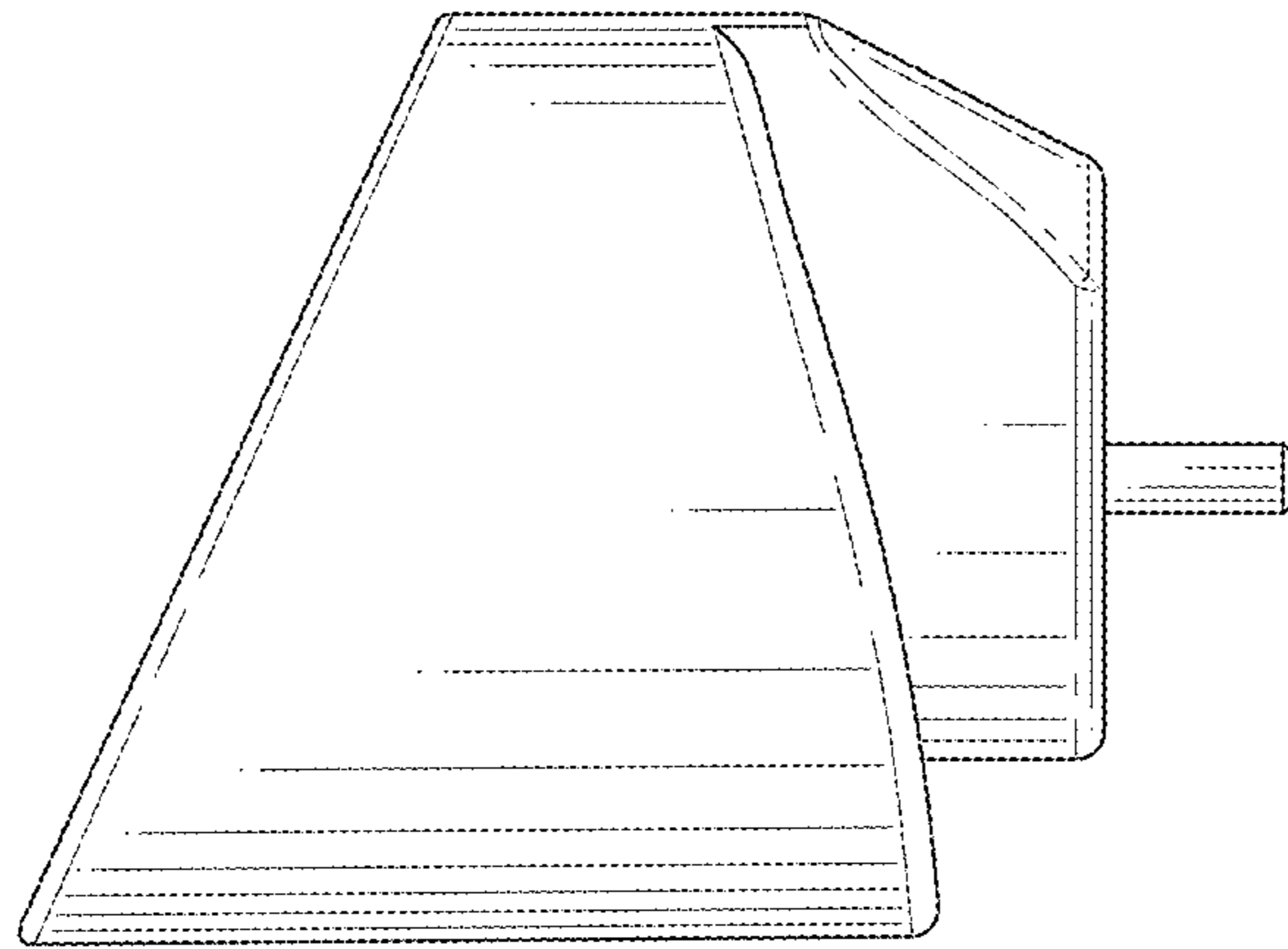


FIG. 5

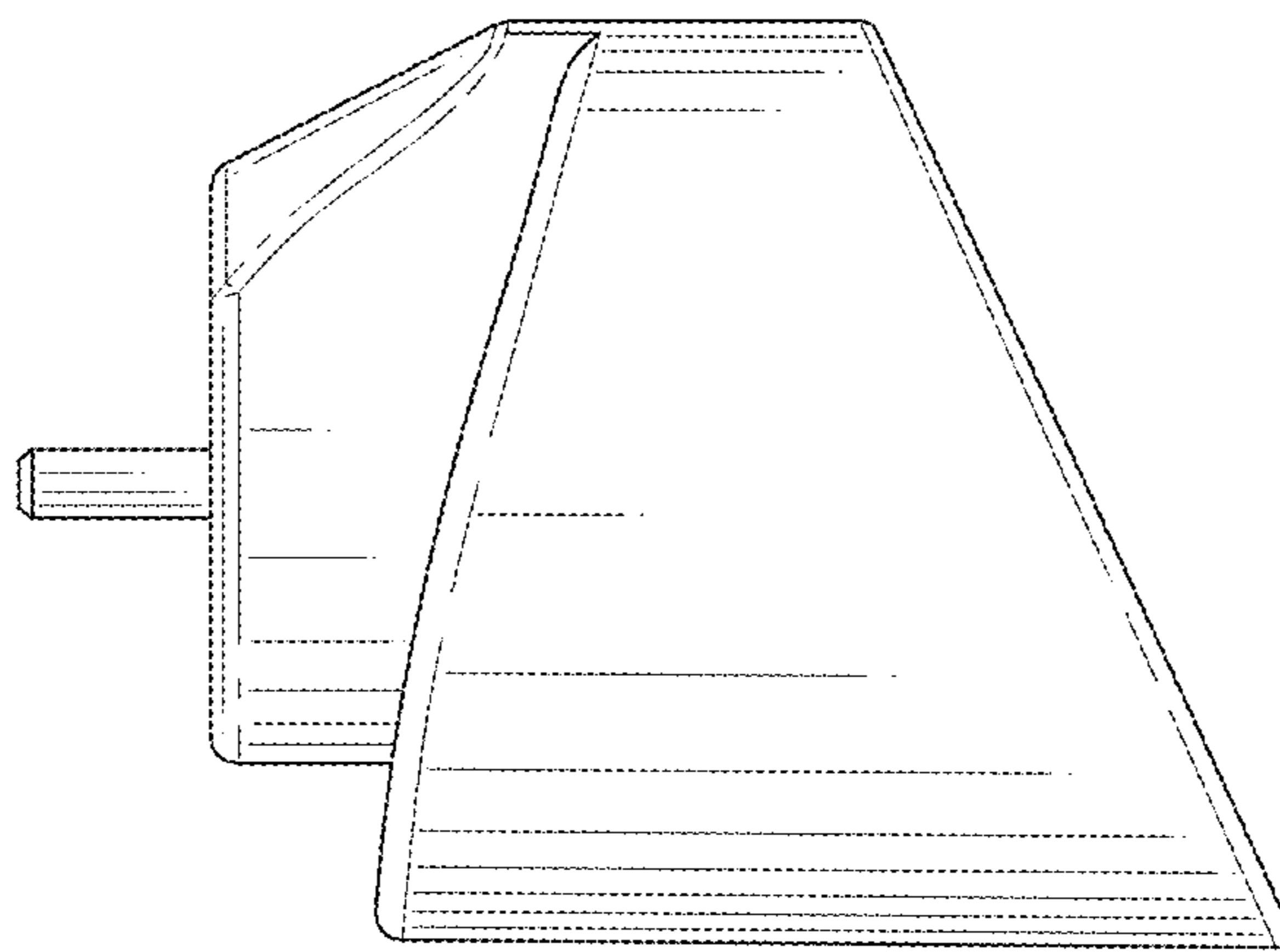


FIG. 6

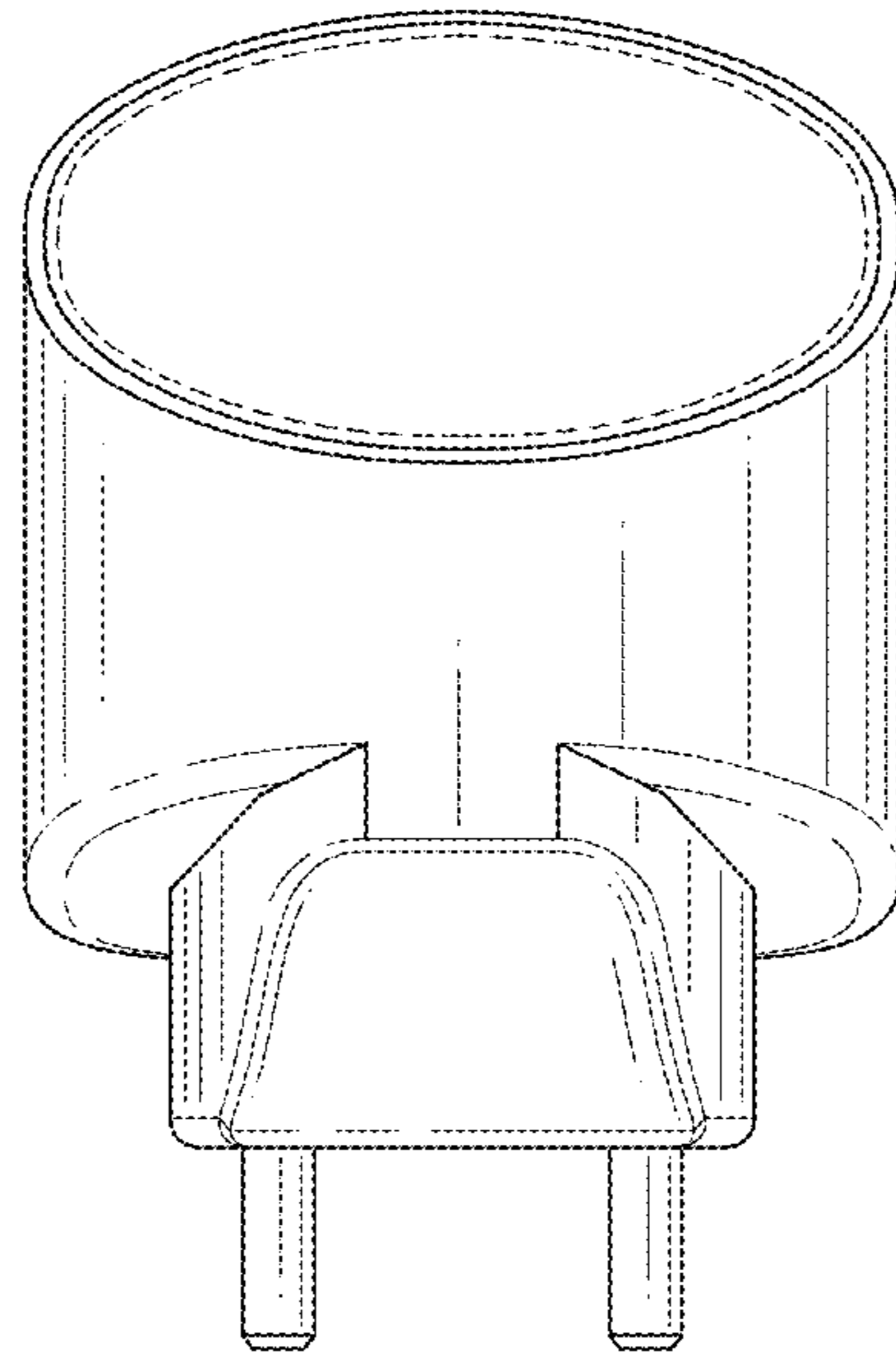


FIG. 7

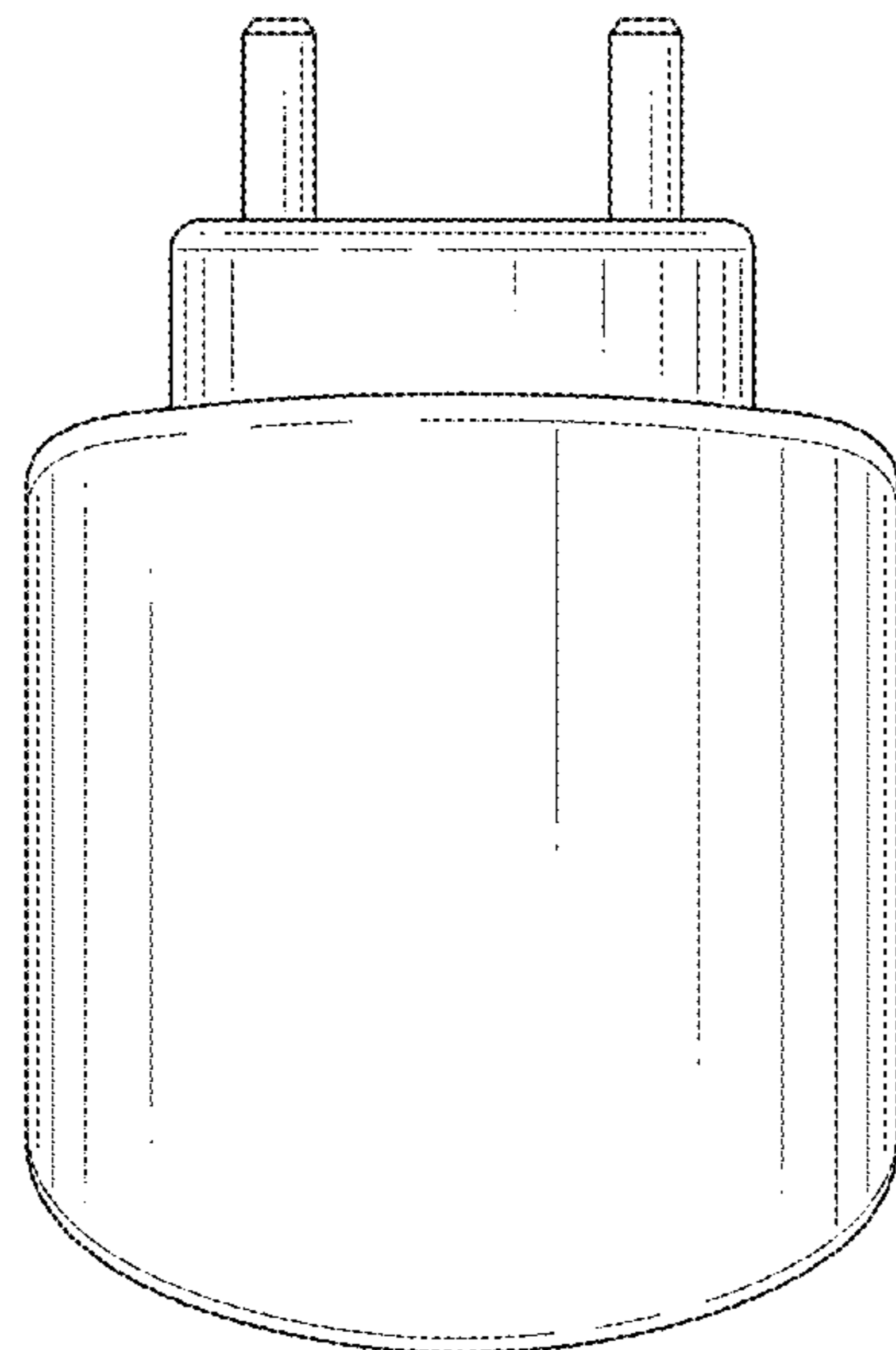


FIG. 8

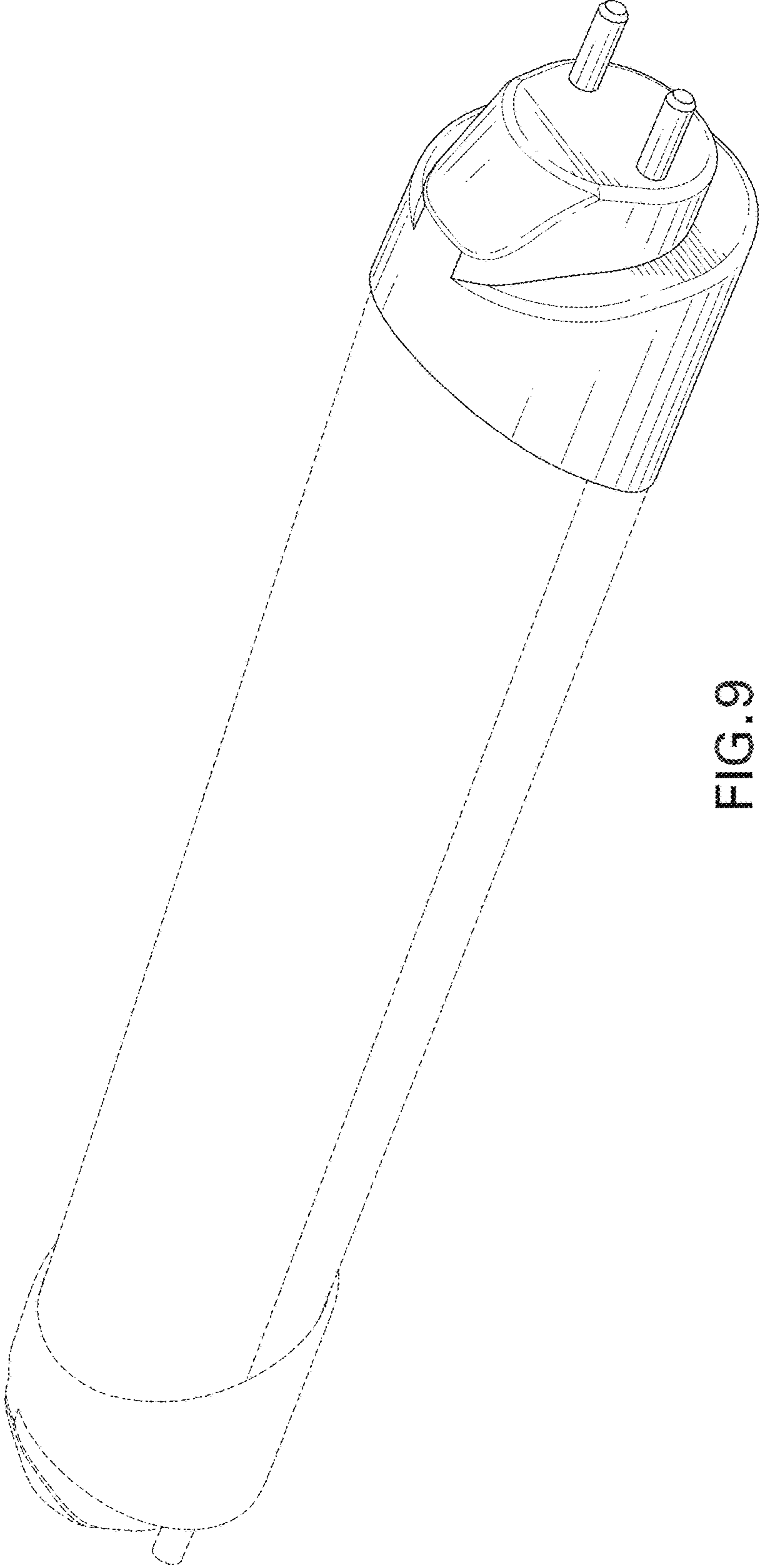


FIG. 9