



US00D809701S

(12) **United States Design Patent** (10) **Patent No.:** **US D809,701 S**
Tweel et al. (45) **Date of Patent:** **** Feb. 6, 2018**

(54) **LIGHT FIXTURE**

(71) Applicant: **ABL IP Holding LLC**, Decatur, GA (US)

(72) Inventors: **Patrick M. Tweel**, Atlanta, GA (US);
Aaron Feldman, Atlanta, GA (US);
Matthew Scott Hoch, McDonough, GA (US);
John T. Hickok, Social Circle, GA (US)

7,679,281 B2 3/2010 Kim et al.
7,722,220 B2 5/2010 Van De Ven
D673,324 S * 12/2012 Mayfield, III D26/120
D678,597 S 3/2013 Lehman et al.
8,506,121 B2 8/2013 Van Laanen et al.
D696,449 S 12/2013 Boyer et al.
D701,341 S * 3/2014 Mayfield, III D26/74
D703,858 S 4/2014 Miller
D729,435 S * 5/2015 Arndt D26/118
D739,593 S * 9/2015 Mayfield, III D26/118
(Continued)

(73) Assignee: **ABL IP Holding LLC**, Atlanta, GA (US)

(**) Term: **15 Years**

(21) Appl. No.: **29/561,838**

(22) Filed: **Apr. 20, 2016**

(51) **LOC (11) Cl.** **26-99**

(52) **U.S. Cl.**
USPC **D26/118**

(58) **Field of Classification Search**
USPC D26/74, 24, 72, 75, 76, 78, 79, 81, 82,
D26/88, 89, 91, 113, 118, 119, 120, 138,
D26/141, 142

CPC F21V 21/04; F21V 21/041; F21V 7/005;
F21Y 2111/002; F21S 8/026; F21S 8/02
See application file for complete search history.

(56) **References Cited**

U.S. PATENT DOCUMENTS

D130,570 S * 12/1941 Borkland D26/76
D397,819 S 9/1998 Thorton, Jr.
5,988,829 A 11/1999 Holder
D496,121 S 9/2004 Santoro
D561,383 S * 2/2008 Hukle D26/120
7,490,960 B1 * 2/2009 Fiorino F21S 8/02
362/148

D595,894 S 7/2009 Verfuether et al.
D604,000 S 11/2009 Fowler, Jr. et al.

OTHER PUBLICATIONS

“Get more from the top: Experience unmatched energy savings in high and low bay environments with Albeo™ LED Luminaires,” Current powered by GE, 2016, 8 pages.

(Continued)

Primary Examiner — Brian N. Vinson

(74) *Attorney, Agent, or Firm* — Kilpatrick Townsend & Stockton, LLP

(57) **CLAIM**

The ornamental design for a light fixture, as shown and described.

DESCRIPTION

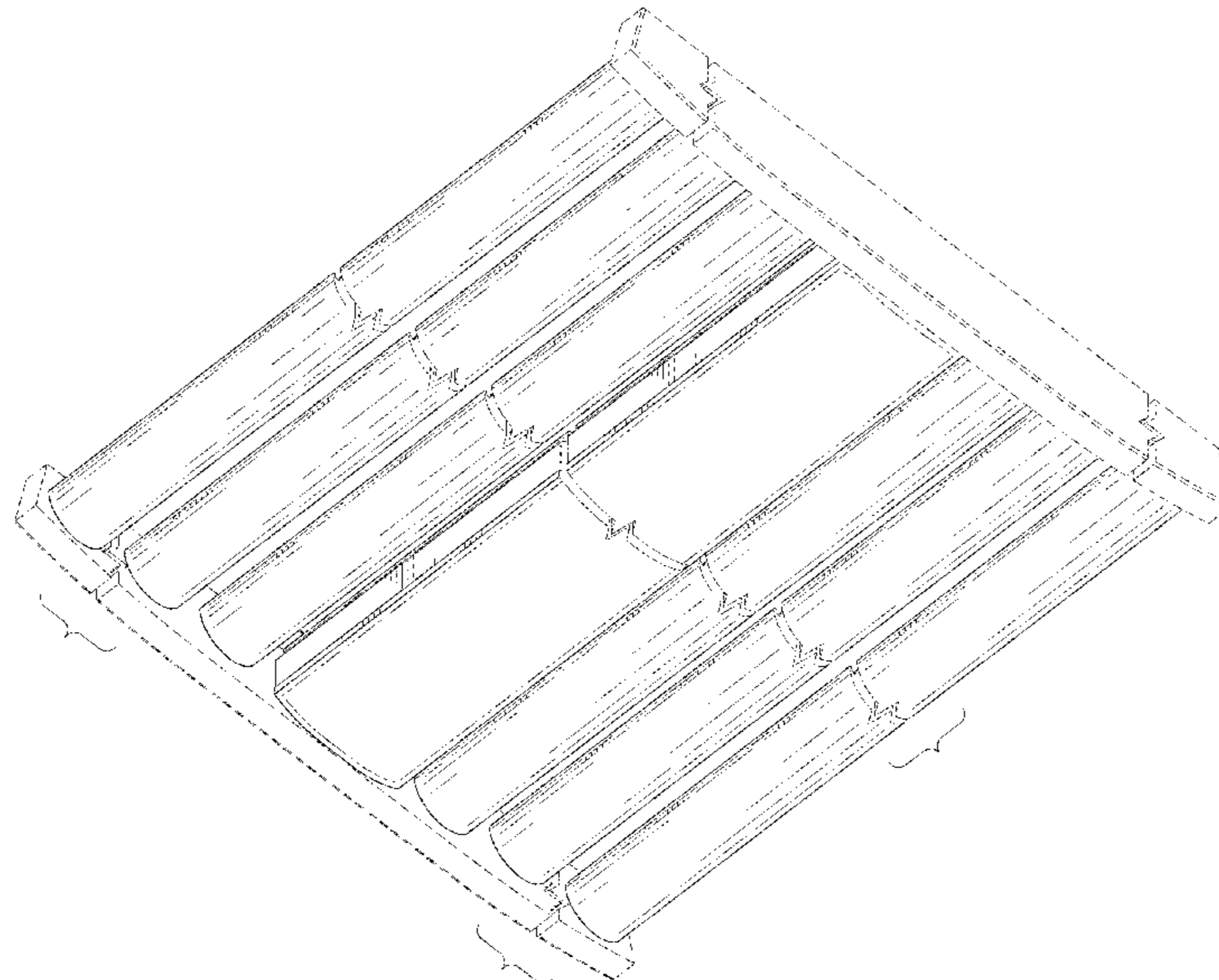
FIG. 1 is a bottom perspective view of the light fixture. FIG. 2 is a top perspective view of the light fixture of FIG. 1.

FIG. 3 is a right side elevation view of the light fixture of FIG. 1, it being understood that the left side elevation view is identical to the right side elevation view.

FIG. 4 is a front elevation view of the light fixture of FIG. 1, it being understood that the rear elevation view is identical to the front elevation view.

FIG. 5 is a top plan view of the light fixture of FIG. 1; and, FIG. 6 is a bottom plan view of the light fixture of FIG. 1.

1 Claim, 5 Drawing Sheets



(56)

References Cited

U.S. PATENT DOCUMENTS

D739,977 S	9/2015	Boyer et al.	
D762,909 S	8/2016	Shi	
9,416,954 B2	8/2016	Miller	
D767,193 S	9/2016	Jung	
D784,594 S	4/2017	Stolte	
D786,471 S *	5/2017	Snell	D26/74
2012/0212956 A1	8/2012	Chen	
2013/0063948 A1	3/2013	Ishii	
2013/0294072 A1	11/2013	Miller	
2014/0313719 A1	10/2014	Wang et al.	
2015/0016108 A1	1/2015	Howe	
2015/0159839 A1	6/2015	Howe	
2015/0345724 A1	12/2015	Leadford et al.	

OTHER PUBLICATIONS

“Albeo™ LED Luminaire Heavy Industrial High Bay & Low Bay Lighting (ABRI—Series) Brochure,” GE Lighting, Retrieved from the internet: www.gelighting.com, 2016, 6 pages.

“Albeo™ LED Luminaire Heavy Industrial High Bay & Low Bay Lighting (ABRI—Series),” GE Lighting, Retrieved from the internet: www.gelighting.com, 2016, 2 pages.

“Albeo™ LED Luminaire Heavy Industrial High Bay Lighting (ABRI—Series),” GE Lighting, Installation Guide, 2014, 4 pages.

“Announcing the Albeo™ ABR1 Heavy Industrial High Bay from GE.,” GE Lighting, Nov. 20, 2015, 2 pages.

“Big Ass Light High Bay LED,” Retrieved from the internet: bigasslight.com.au, Jul. 6, 2015, 3 pages.

“Enjoy flexibility and savings along with quality illumination; An economical LED high bay,” Philips Lighting, 2015, 8 pages.

“Metalux Industrial LED Luminaires,” Eaton Powering Business Worldwide, Retrieved from the internet: <http://www.cooperindustries.com/content/dam/public/lighting/products/documents/metalux/brochures/BR507005EN-Mx-IndLED-bro.pdf>, 51 pages.

“Made to Order: Imagine lighting as versatile as the industries it serves.,” Industrial Solutions, Believed to be available at least as early as Feb. 1, 2015, 15 pages.

“The Big Ass Inverted 20K LED,” Retrieved from the internet: bigasslight.com, Jun. 24, 2015, 2 pages.

“Low Profile Channel LED Fixture or Retrofit,” Industrial Lighting Products (13 pages).

“Albeo™ LED Luminaire High Bay Lighting (ABV—Series),” GE Lighting, Feb. 16, 2016 (6 pages).

Albeo™ LED Luminaire Modular High & Low Bay Lighting (ABHX—Series), GE Lighting Solutions, May 1, 2013 (8 pages).

“HBLED High Bay LED Luminaire,” Metalux, Eaton Powering Business Worldwide, 2015 (4 pages).

“Lusio® Essential Aisle Lighter Performance Line,” Flex, www.flextronics.com/lighting, 2015 (2 pages).

“Lusio® Essential Series Aisle Lighter,” Flextronics X, www.flextronics.com/lighting, 2014 (2 pages).

“Award Winning of High Efficacy LED Fixtures for High and Medium Bay Applications,” Flextronics X, Product Guide, Lusio® Essentials Series v 2.1, 2014 (60 pages).

“LED Features and Specification,” Orion ISON™ High Bay, orionlighting.com, 2015 (2 pages).

“2x2 2x4 LED Troffer,” led-wall-pack.com, site visited May 30, 2017 <<http://www.led-wall-pack.com/indoorled-lighting/led-volumetric-troffer-1ig ht/2017-newest-etl-dlc-v4-0-rremium-led-ceiling.html>>, 2015.

Notice of Allowance for U.S. Appl. No. 29/565,090, dated Jun. 9, 2017, 10 pages.

Restriction Requirement for U.S. Appl. No. 29/567,476, dated Jun. 27, 2017, 8 pages.

Non-Final Office Action for U.S. Appl. No. 29/567,207, dated Jul. 3, 2017, 14 pages.

Non-Final Office Action for U.S. Appl. No. 29/567,476, dated Aug. 10, 2017, (7 pages).

Restriction Requirement for U.S. Appl. No. 29/561,794, dated Aug. 1, 2017, (13 pages).

* cited by examiner

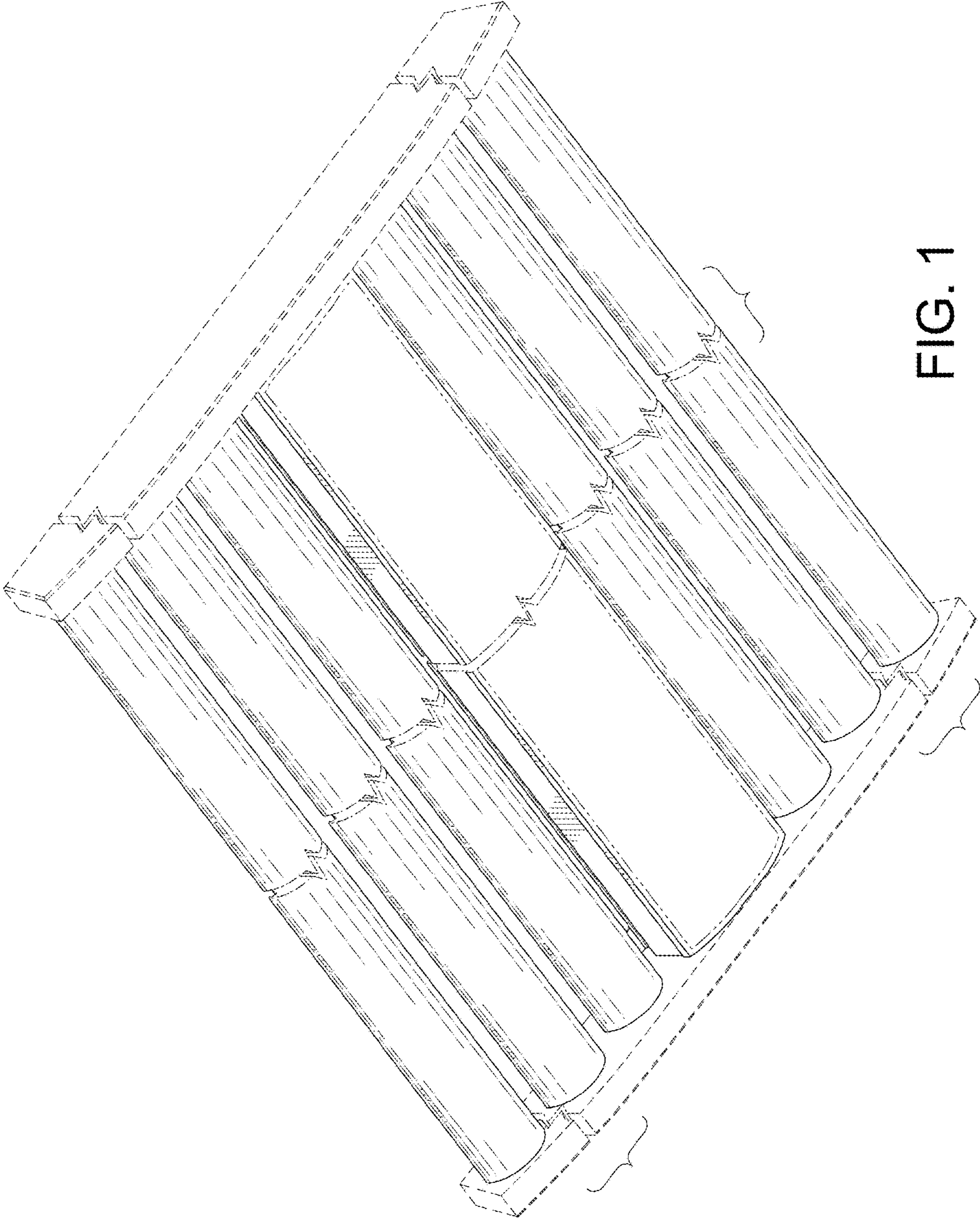


FIG. 1

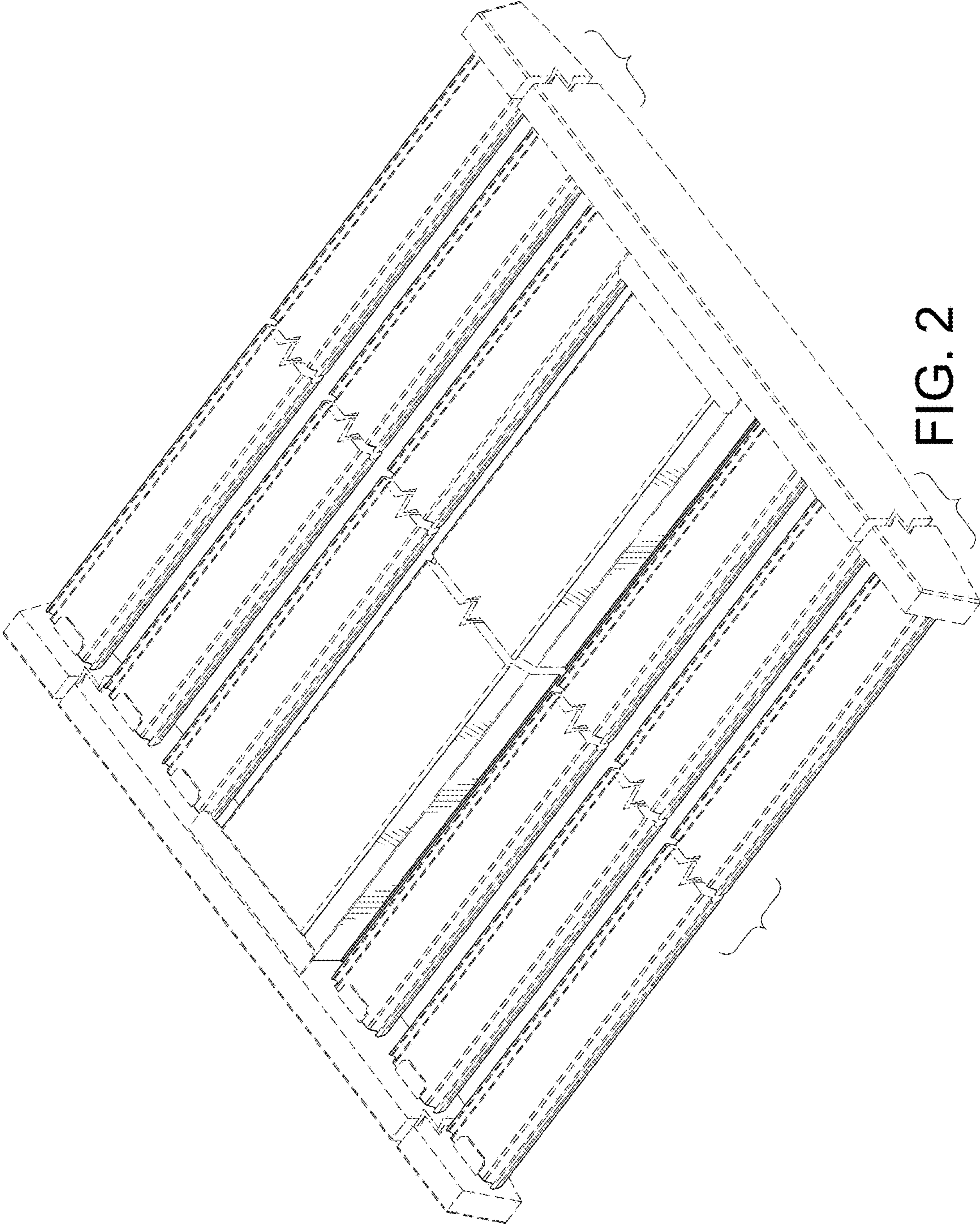


FIG. 2

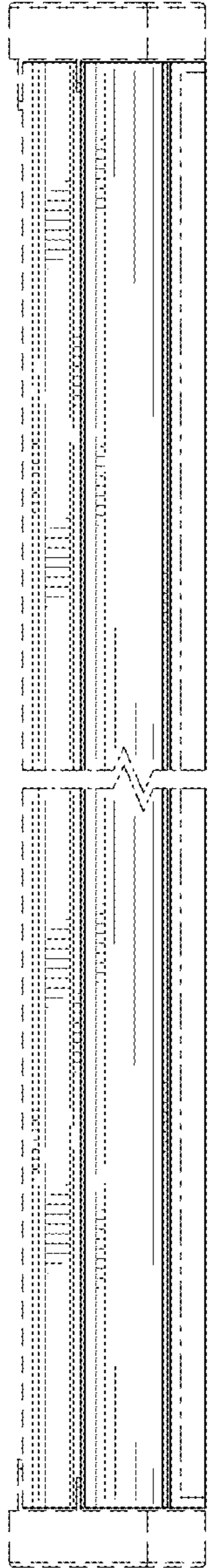


FIG. 3

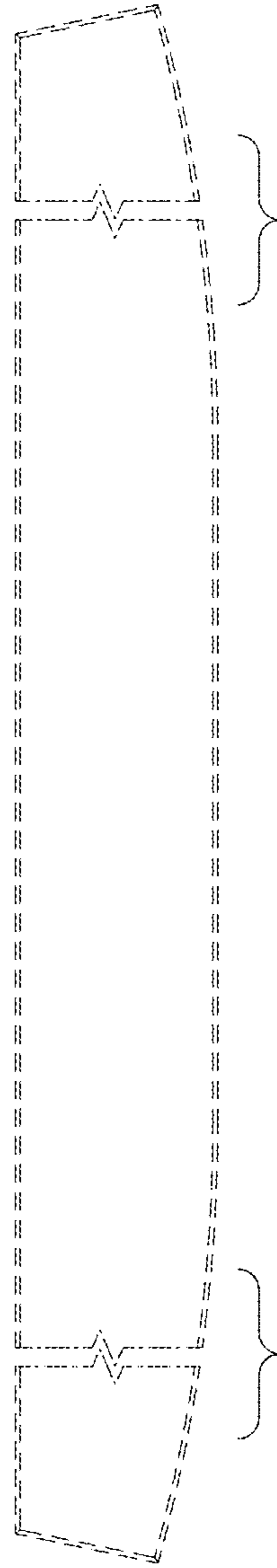


FIG. 4

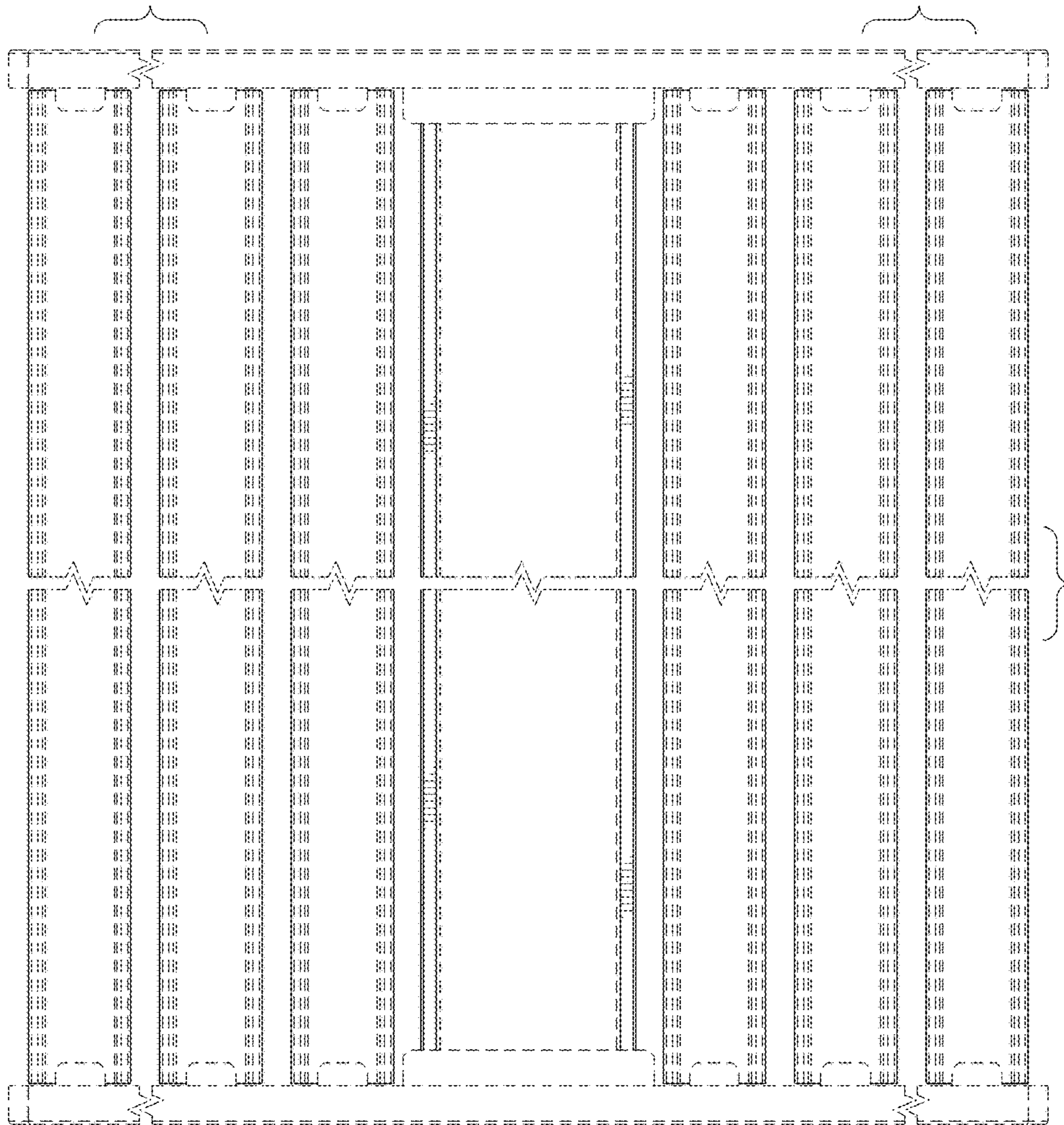


FIG. 5

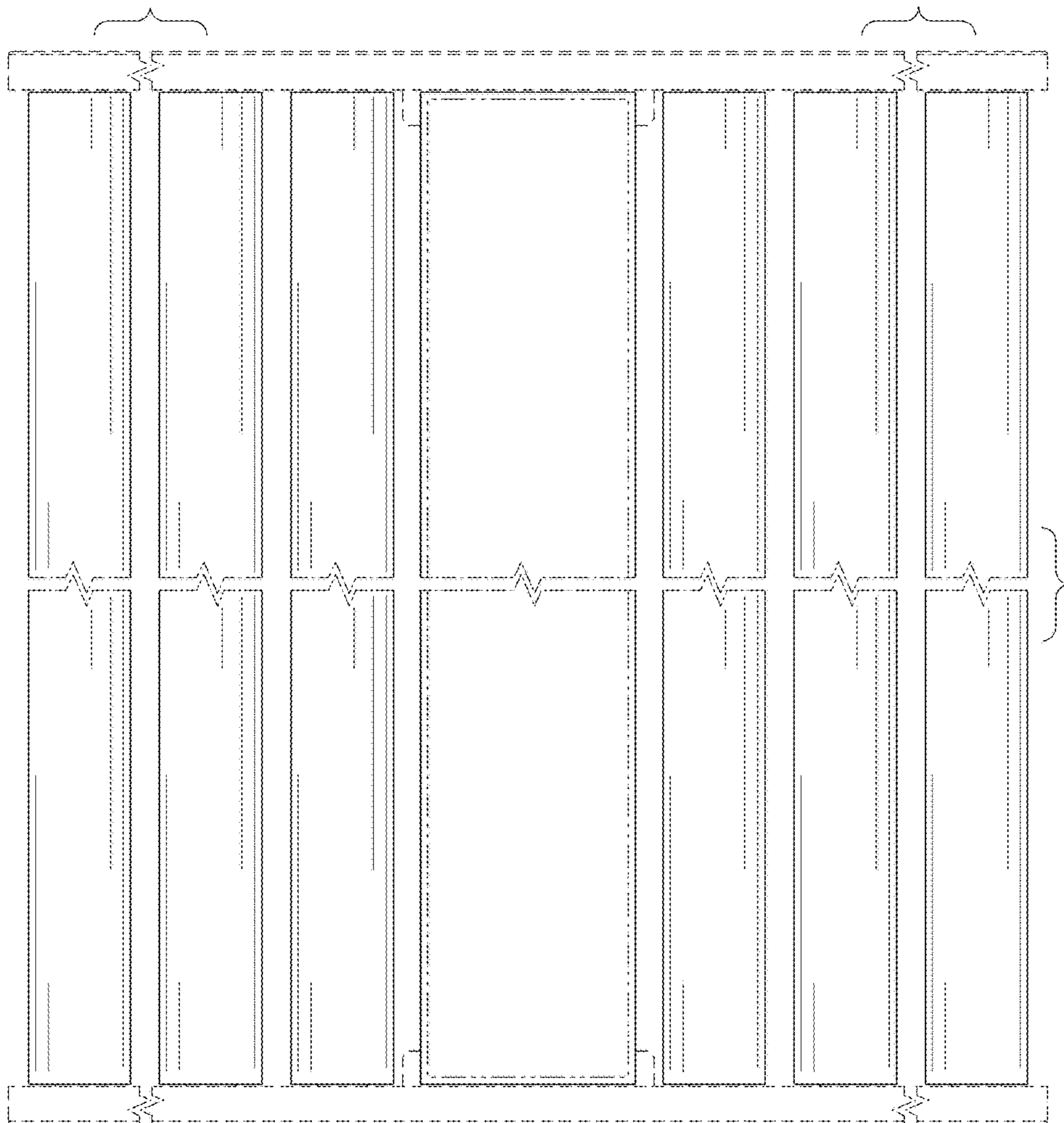


FIG. 6

UNITED STATES PATENT AND TRADEMARK OFFICE
CERTIFICATE OF CORRECTION

PATENT NO. : D809,701 S
APPLICATION NO. : 29/561838
DATED : February 6, 2018
INVENTOR(S) : Patrick M. Tweel et al.

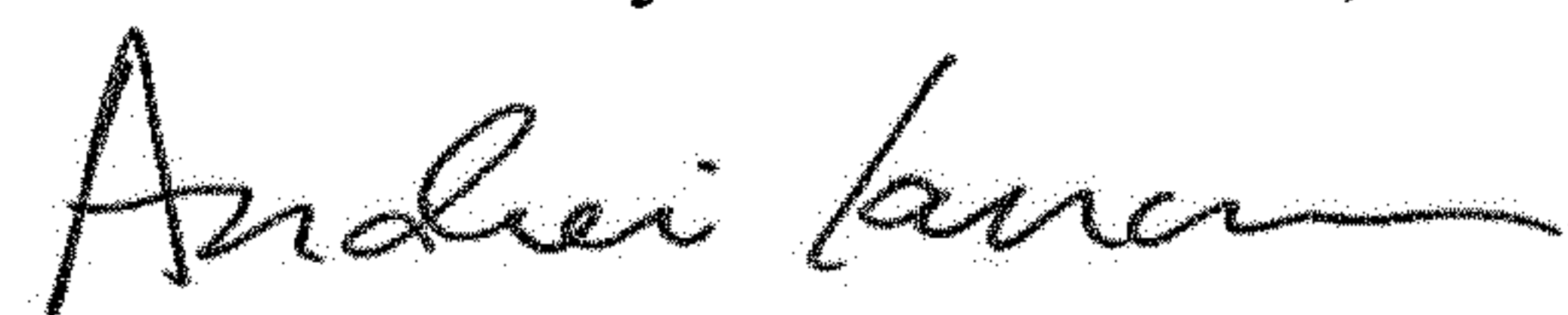
Page 1 of 6

It is certified that error appears in the above-identified patent and that said Letters Patent is hereby corrected as shown below:

In the Drawings

Please replace Drawing sheets 1-5 with attached Drawing sheets 1-5

Signed and Sealed this
Thirteenth Day of November, 2018



Andrei Iancu
Director of the United States Patent and Trademark Office

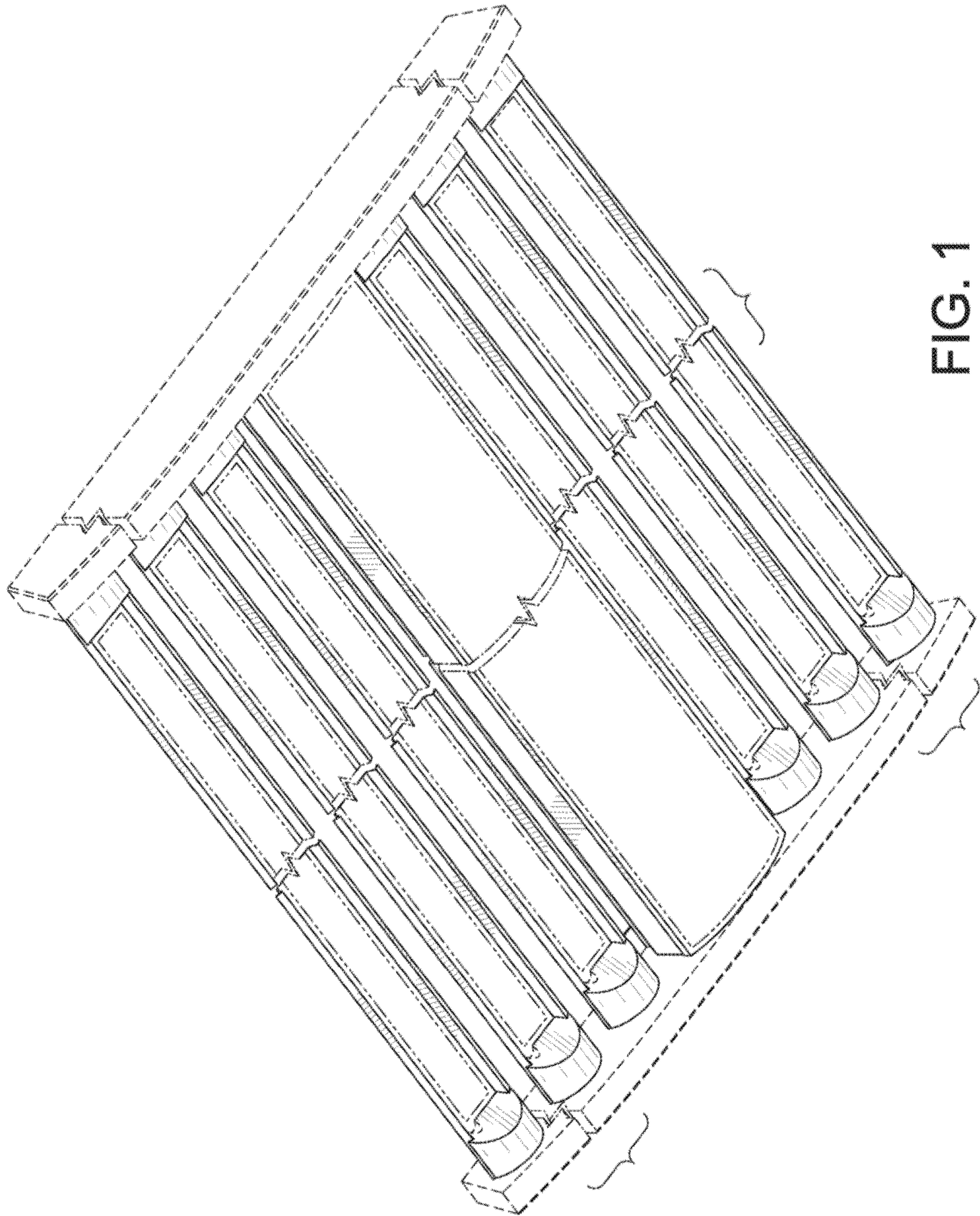


FIG. 1

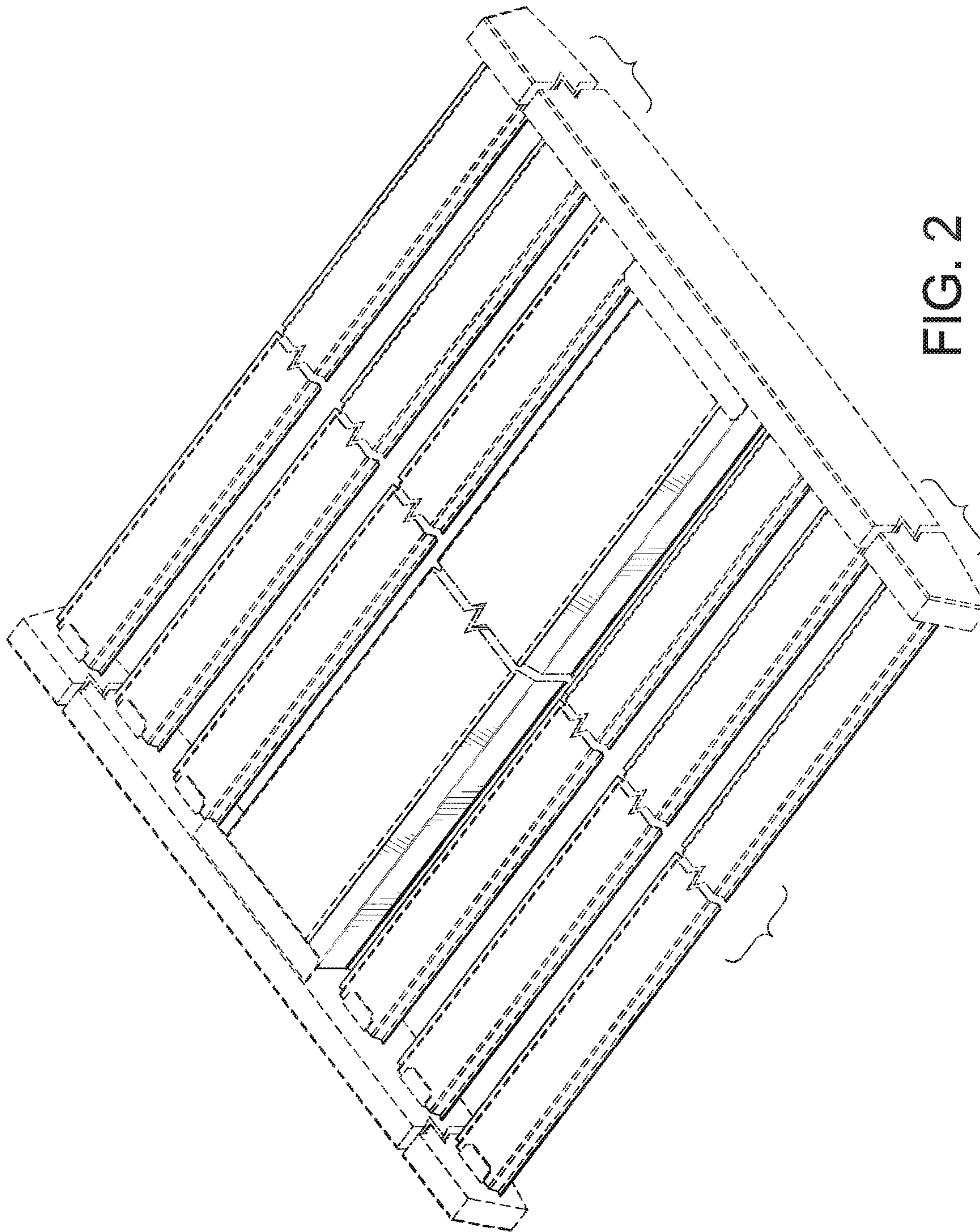


FIG. 2

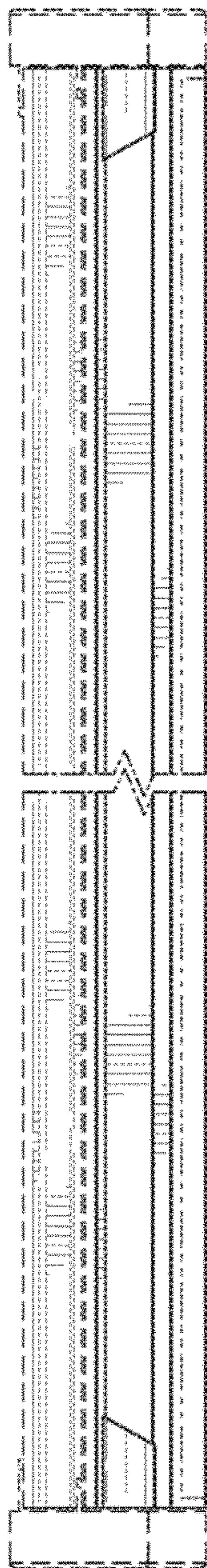


FIG. 3

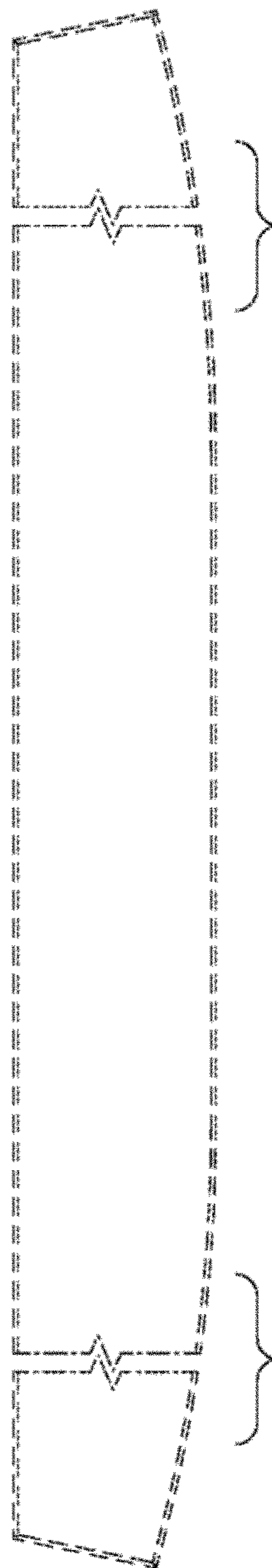


FIG. 4

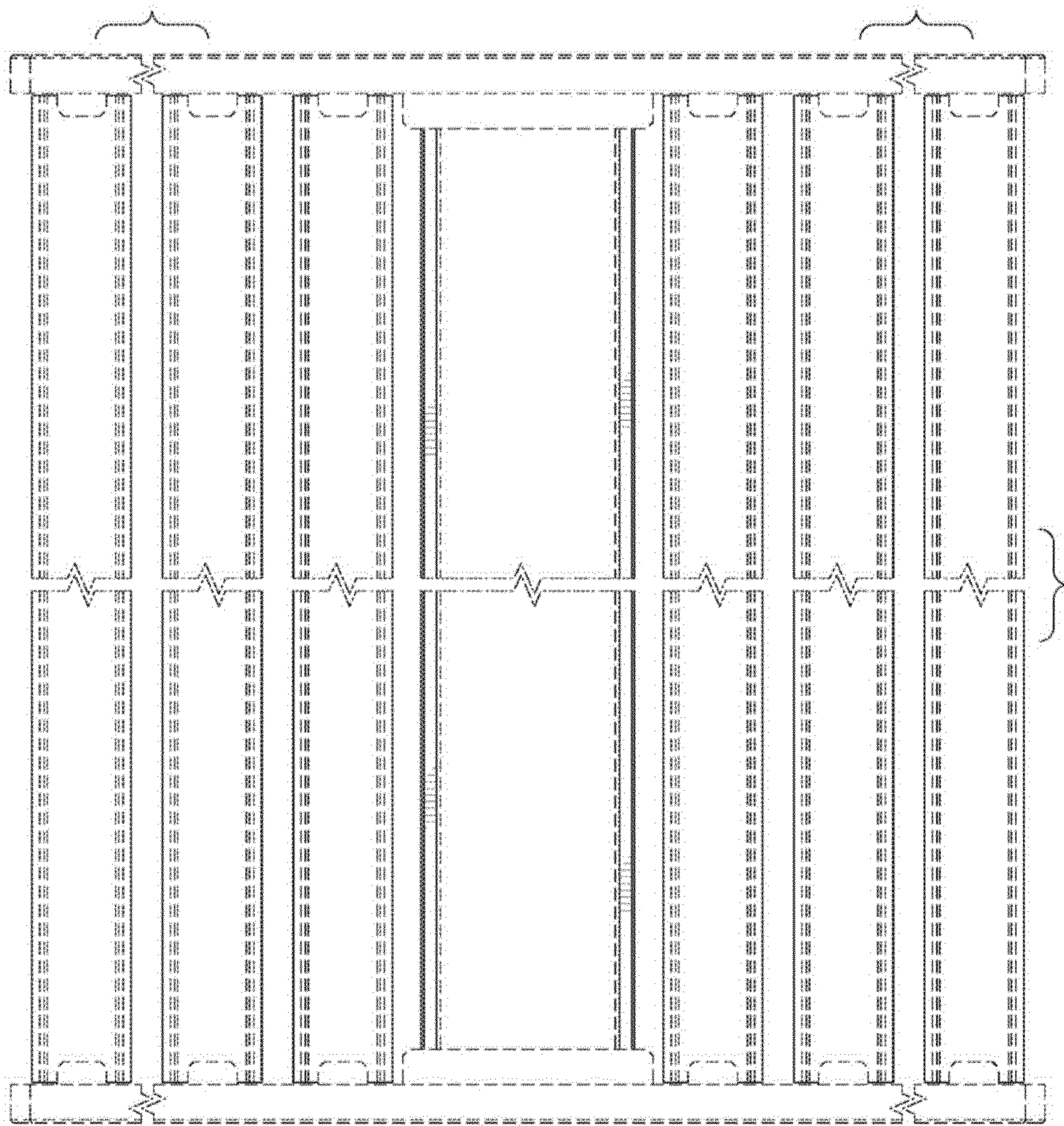


FIG. 5

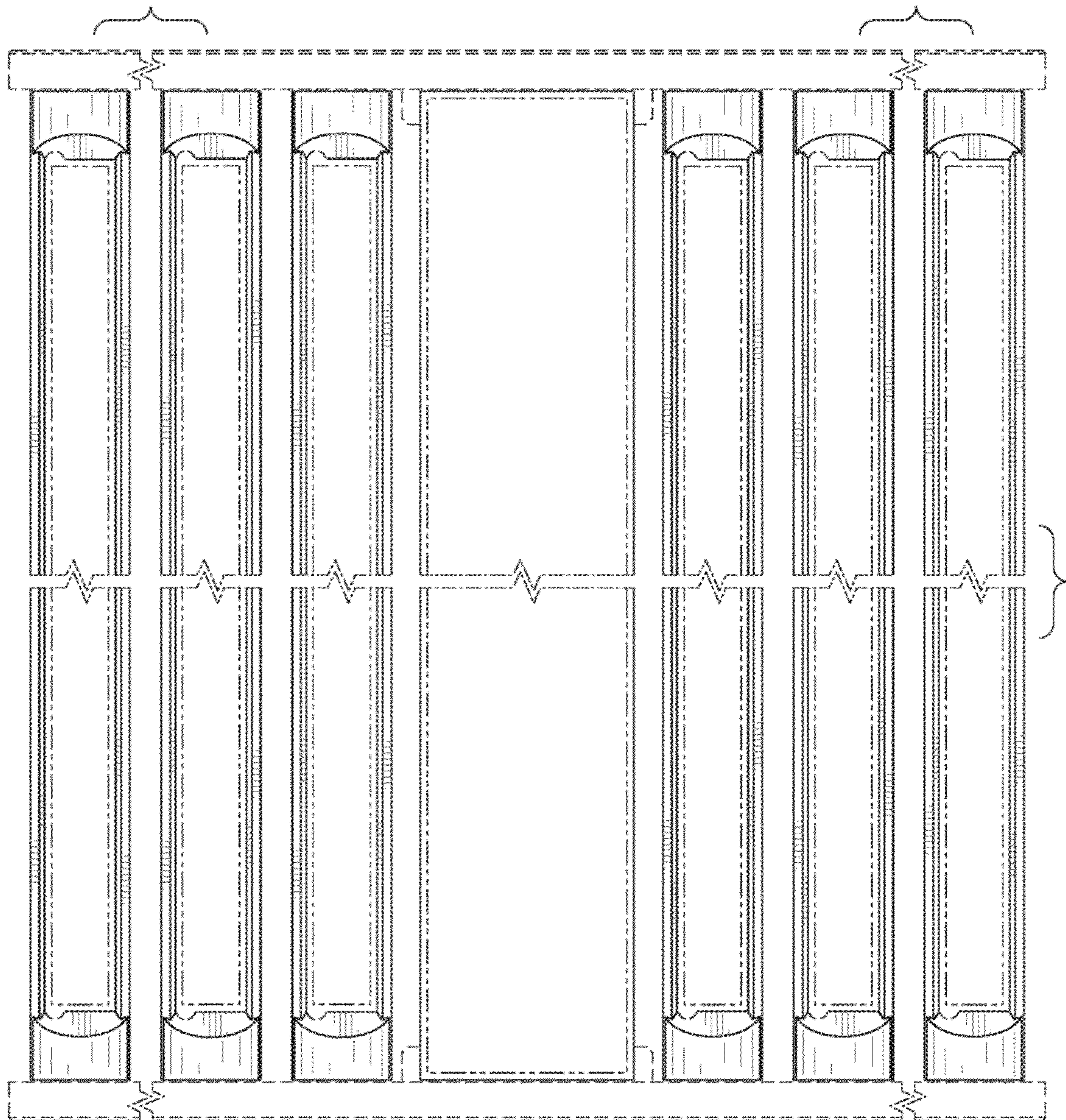


FIG. 6