



US00D809700S

(12) **United States Design Patent** (10) **Patent No.:** **US D809,700 S**
Sempé (45) **Date of Patent:** **** Feb. 6, 2018**

(54) **LIGHTING FIXTURE**

(71) Applicant: **PHILIPS LIGHTING HOLDING B.V.**, Eindhoven (NL)

(72) Inventor: **Inga Sempé**, Paris (FR)

(73) Assignee: **PHILIPS LIGHTING HOLDING B.V.**, Eindhoven (NL)

(**) Term: **15 Years**

(21) Appl. No.: **35/501,700**

(22) Filed: **Sep. 28, 2016**

(80) **Hague Agreement Data**

Int. Filing Date: **Sep. 28, 2016**

Int. Reg. No.: **DM/092772**

Int. Reg. Date: **Sep. 28, 2016**

Int. Reg. Pub. Date: **Oct. 14, 2016**

(30) **Foreign Application Priority Data**

Apr. 6, 2016 (EM) 003056985-0003

(51) **LOC (11) Cl.** **26-03**

(52) **U.S. Cl.**
USPC **D26/106**

(58) **Field of Classification Search**

USPC D26/24, 93, 104, 105, 106

CPC .. F21S 6/00; F21S 6/002; F21V 21/00; F21V 21/02; F21V 23/04; F21W 2121/00; F21W 2131/20; F21W 2131/30

See application file for complete search history.

(56) **References Cited**

U.S. PATENT DOCUMENTS

D301,758 S *	6/1989	Sapper	D26/85
D534,300 S *	12/2006	Eikelenboom	D26/107
D540,972 S *	4/2007	Tortel	D26/118
D570,030 S *	5/2008	Starck	D26/84
D571,945 S *	6/2008	Starck	D26/88
D746,508 S *	12/2015	Deluca	D26/118
D766,494 S *	9/2016	Hoshikawa	D26/107
D768,909 S *	10/2016	Maier	D26/110
D779,705 S *	2/2017	Starck	D26/93
D783,883 S *	4/2017	Cortez	D26/89

* cited by examiner

Primary Examiner — Zenia Bennett

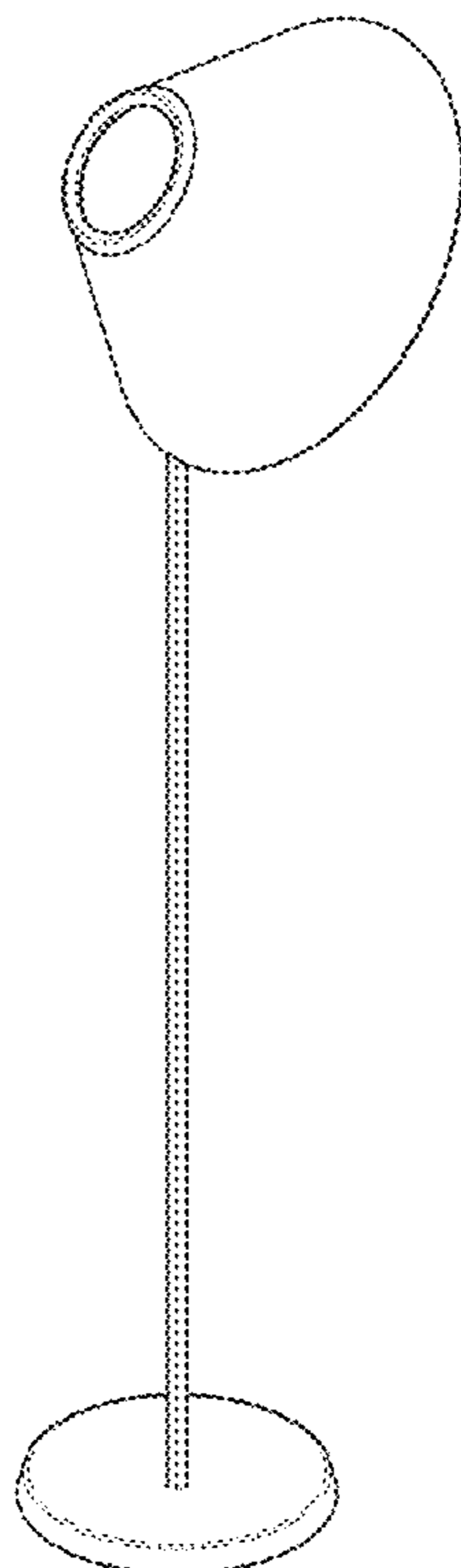
(57) **CLAIM**

The ornamental design for a lighting fixture, as shown and described.

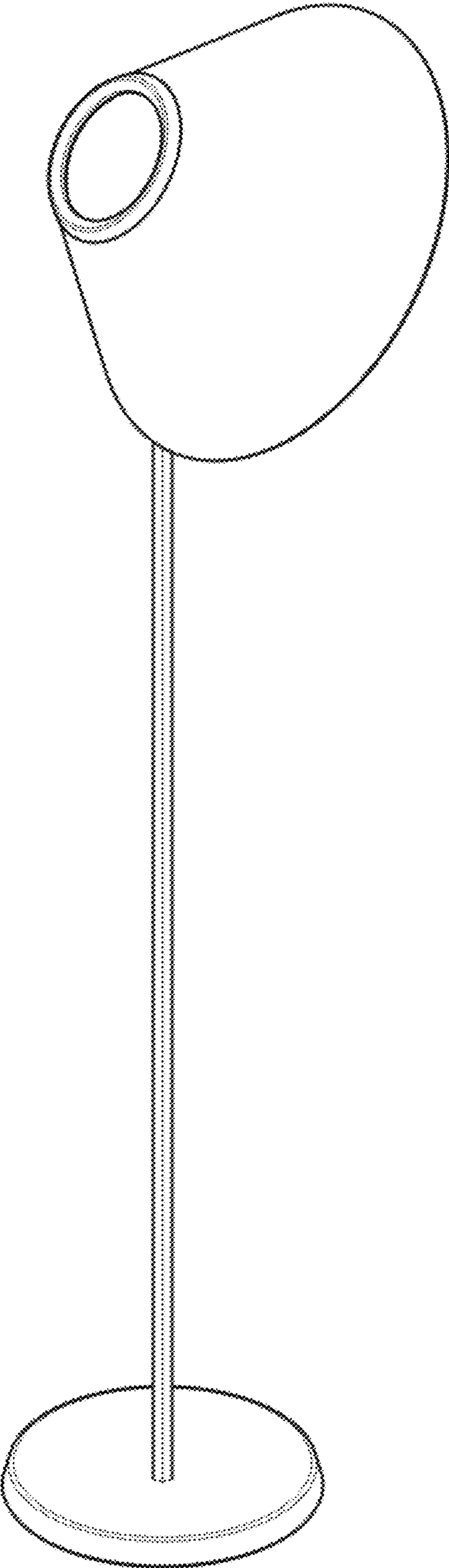
DESCRIPTION

- 1. Lighting fixture
- 1.1 : Perspective
- 1.2 : Front
- 1.3 : Back
- 1.4 : Right
- 1.5 : Left
- 1.6 : Top
- 1.7 : Bottom

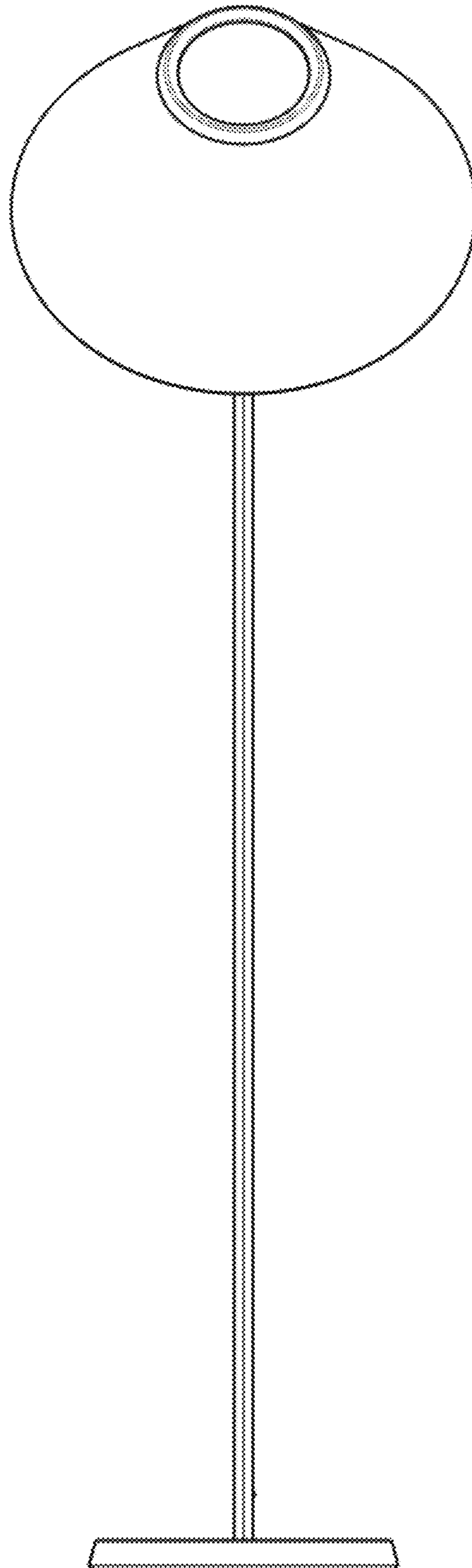
1 Claim, 7 Drawing Sheets



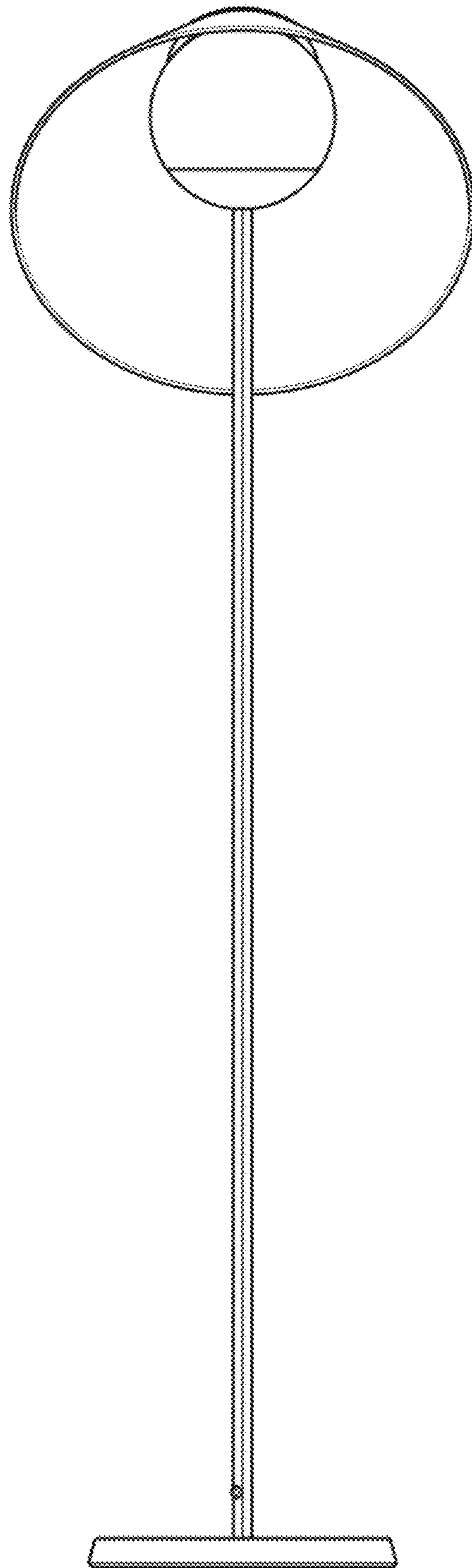
1.1



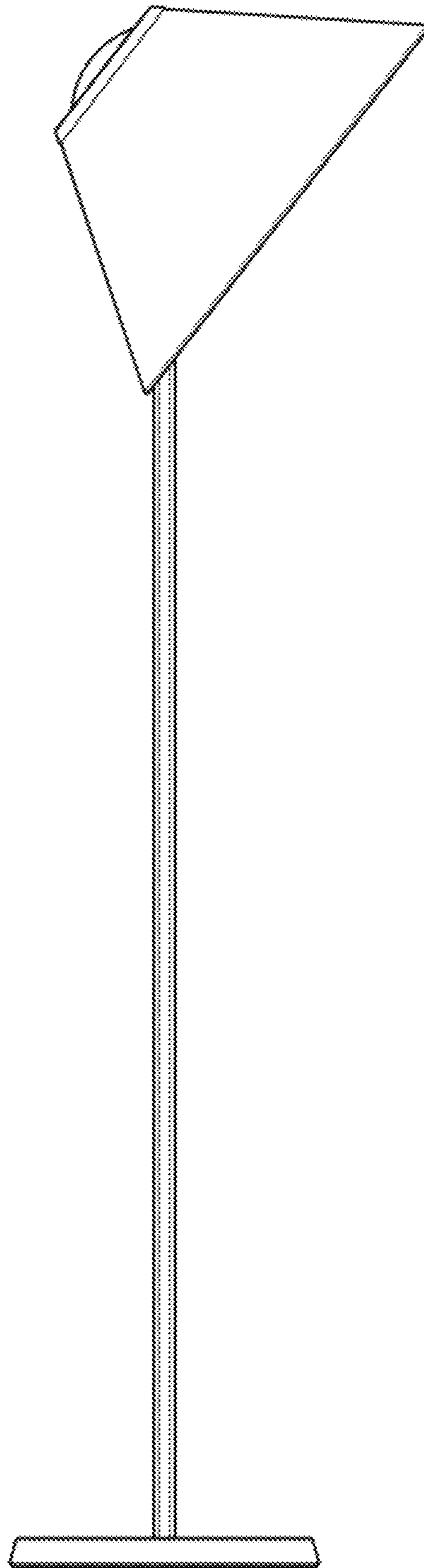
1.2



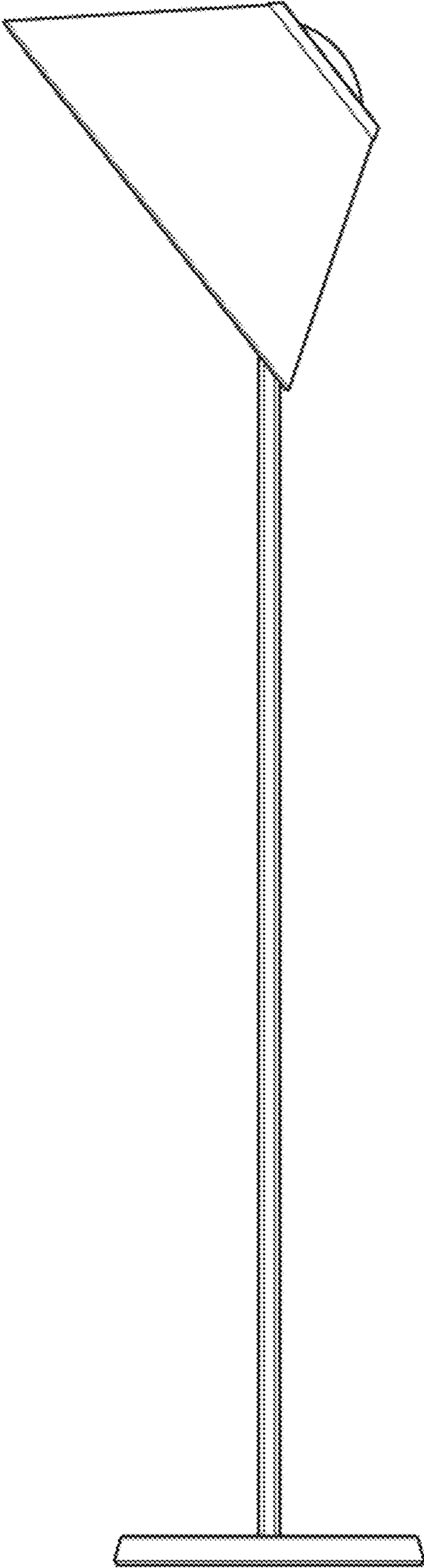
1.3



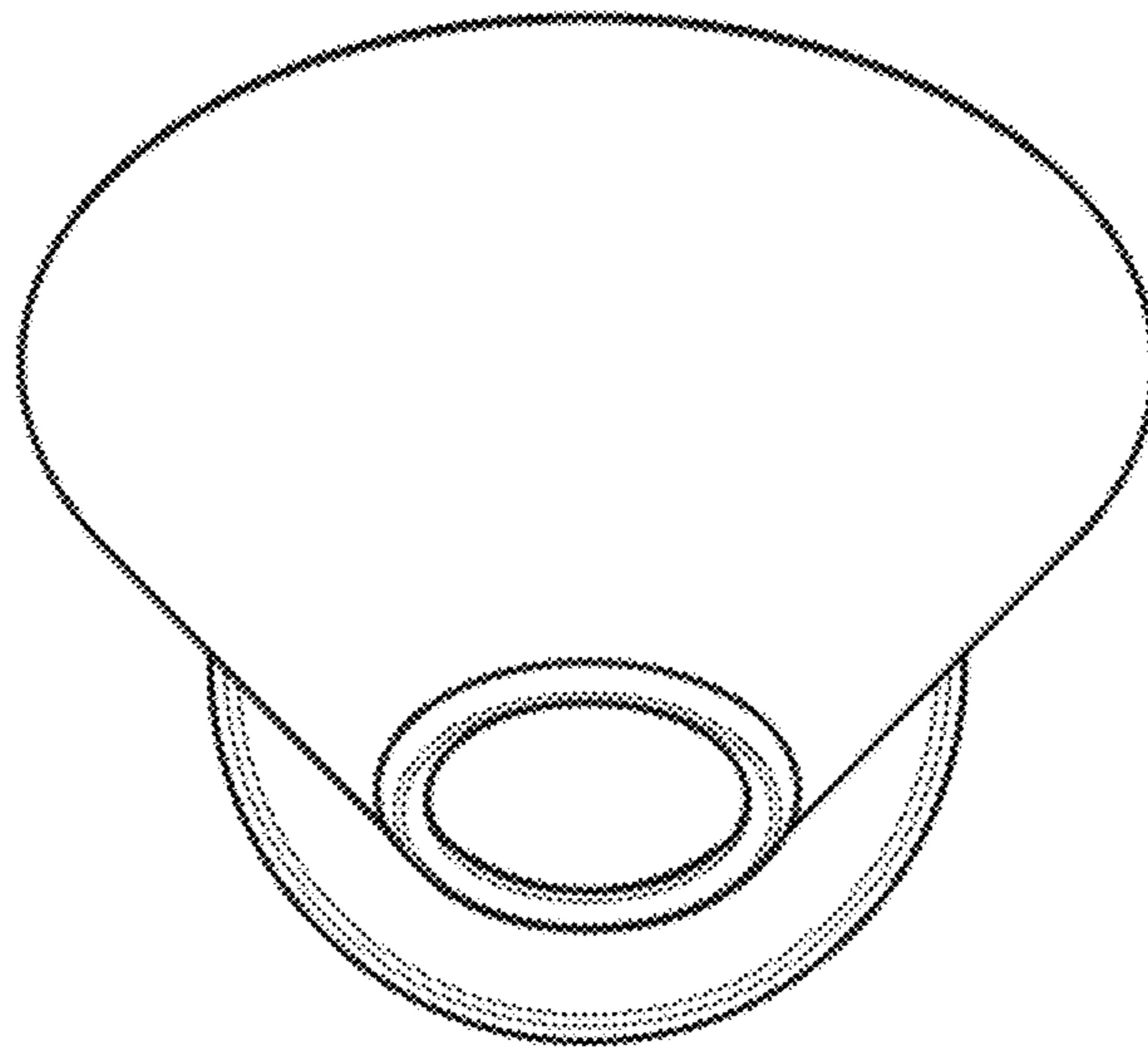
1.4



1.5



1.6



1.7

