



US00D809699S

(12) **United States Design Patent** (10) **Patent No.:** **US D809,699 S**
Meise (45) **Date of Patent:** **** Feb. 6, 2018**

(54) **LIGHT FIXTURE**
(71) Applicant: **Axel Meise**, Munich (DE)
(72) Inventor: **Axel Meise**, Munich (DE)
(73) Assignee: **Axel Meise**, Munich (DE)
(**) Term: **15 Years**

D700,988 S * 3/2014 Koho D26/118
D716,486 S * 10/2014 Martin D26/141
D768,905 S * 10/2016 Sonneman D26/88
D770,665 S * 11/2016 Sonneman D26/88
D777,365 S * 1/2017 Goorsenberg D26/88
D791,401 S * 7/2017 Sonneman D26/152
2013/0027927 A1* 1/2013 Wegger F21S 8/06
362/235
2013/0329424 A1* 12/2013 Clark F21S 8/061
362/235

(21) Appl. No.: **29/568,877**
(22) Filed: **Jun. 22, 2016**

OTHER PUBLICATIONS

Micro Ring DE from BetaCalco Lighting. Brochure dated Sep. 1, 2017.(4 pages).*
Cycle Layers from Eureka Lighting © 2015. (3 pages).*
Cylindro III Lux from Delray Lighting, dated Feb. 2016. (2 pages).*

(30) **Foreign Application Priority Data**

Dec. 22, 2015 (EM) 002920256-0018

* cited by examiner

(51) **LOC (11) Cl.** **26-03**

Primary Examiner — Clare E Hefflin

(52) **U.S. Cl.**

USPC **D26/90**; D26/88

(74) *Attorney, Agent, or Firm* — Hassan Abbas Shakir;
Katten Muchin Rosenman LLP

(58) **Field of Classification Search**

USPC D26/72, 80, 81, 84, 85, 86, 88, 90, 91,
D26/118, 138, 142

(57) **CLAIM**

CPC F21S 8/043; F21S 8/046; F21S 8/06; F21S
8/061; F21S 8/063; F21S 8/065; F21S
8/066; F21S 8/068; F21V 21/008; F21V
21/02; F21V 21/03; F21V 21/112; F21V
21/38

The ornamental design for the light fixture, as shown and described.

See application file for complete search history.

DESCRIPTION

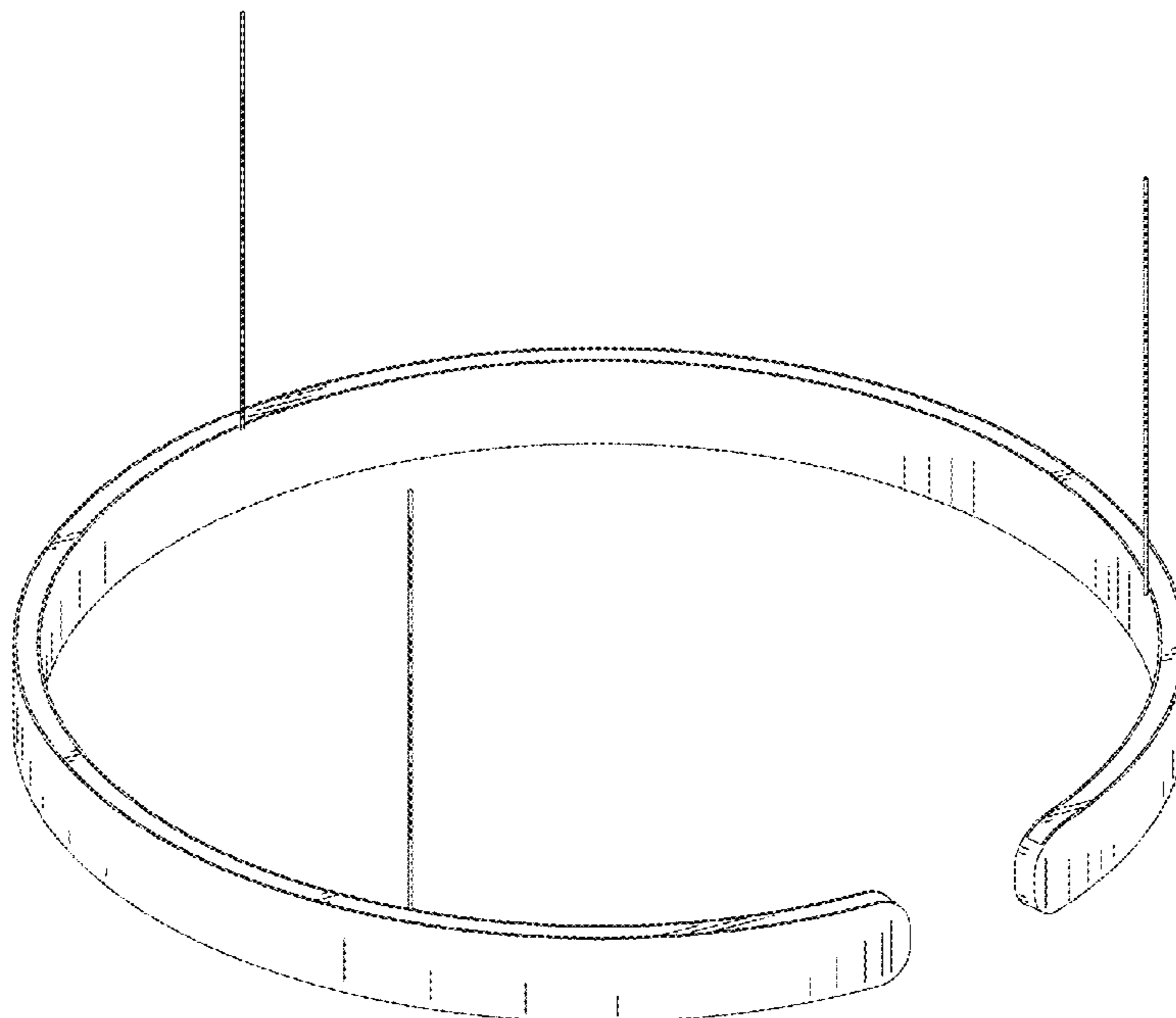
(56) **References Cited**

U.S. PATENT DOCUMENTS

D632,003 S * 2/2011 Jordan D26/88
D655,856 S * 3/2012 Burks D26/90
D698,983 S * 2/2014 Rampolla D26/88

FIG. 1 is an isometric view of the light fixture;
FIG. 2 is a front view of the light fixture;
FIG. 3 is a rear view of the light fixture;
FIG. 4 is a left-side view of the light fixture;
FIG. 5 is a right-side view of the light fixture;
FIG. 6 is a top view of the light fixture; and,
FIG. 7 is a bottom view of the light fixture.

1 Claim, 7 Drawing Sheets



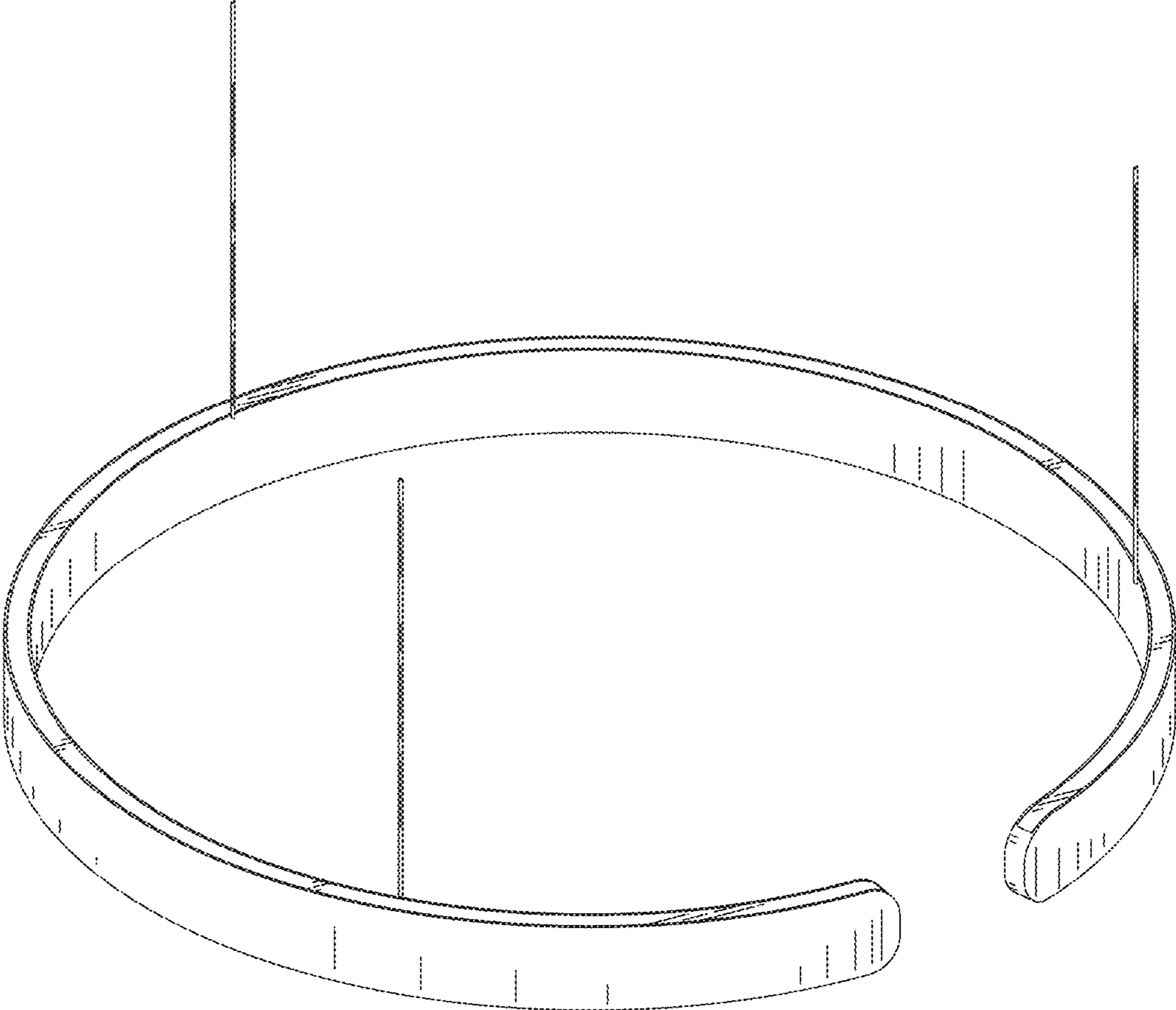


FIG. 1

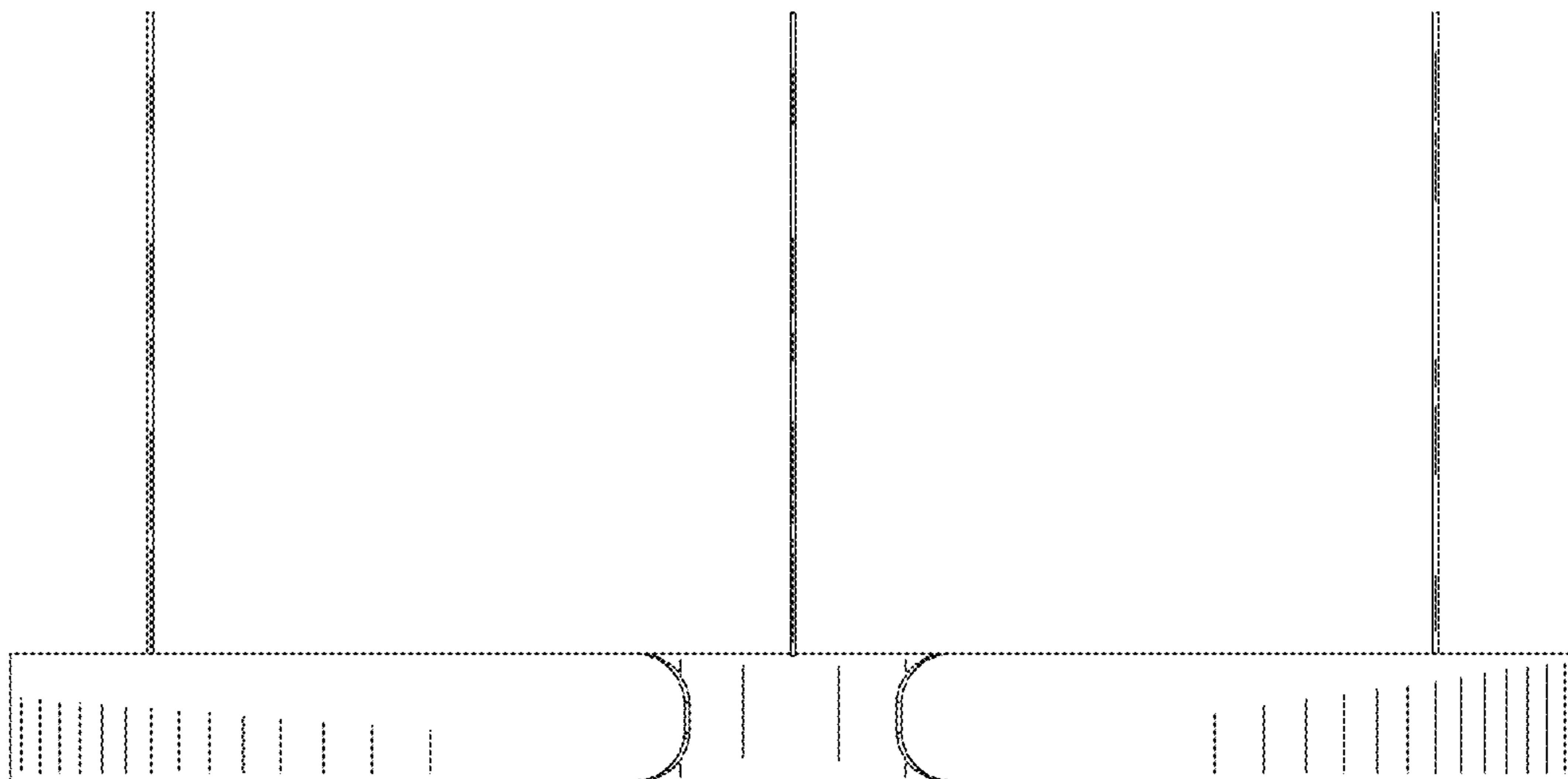


FIG. 2

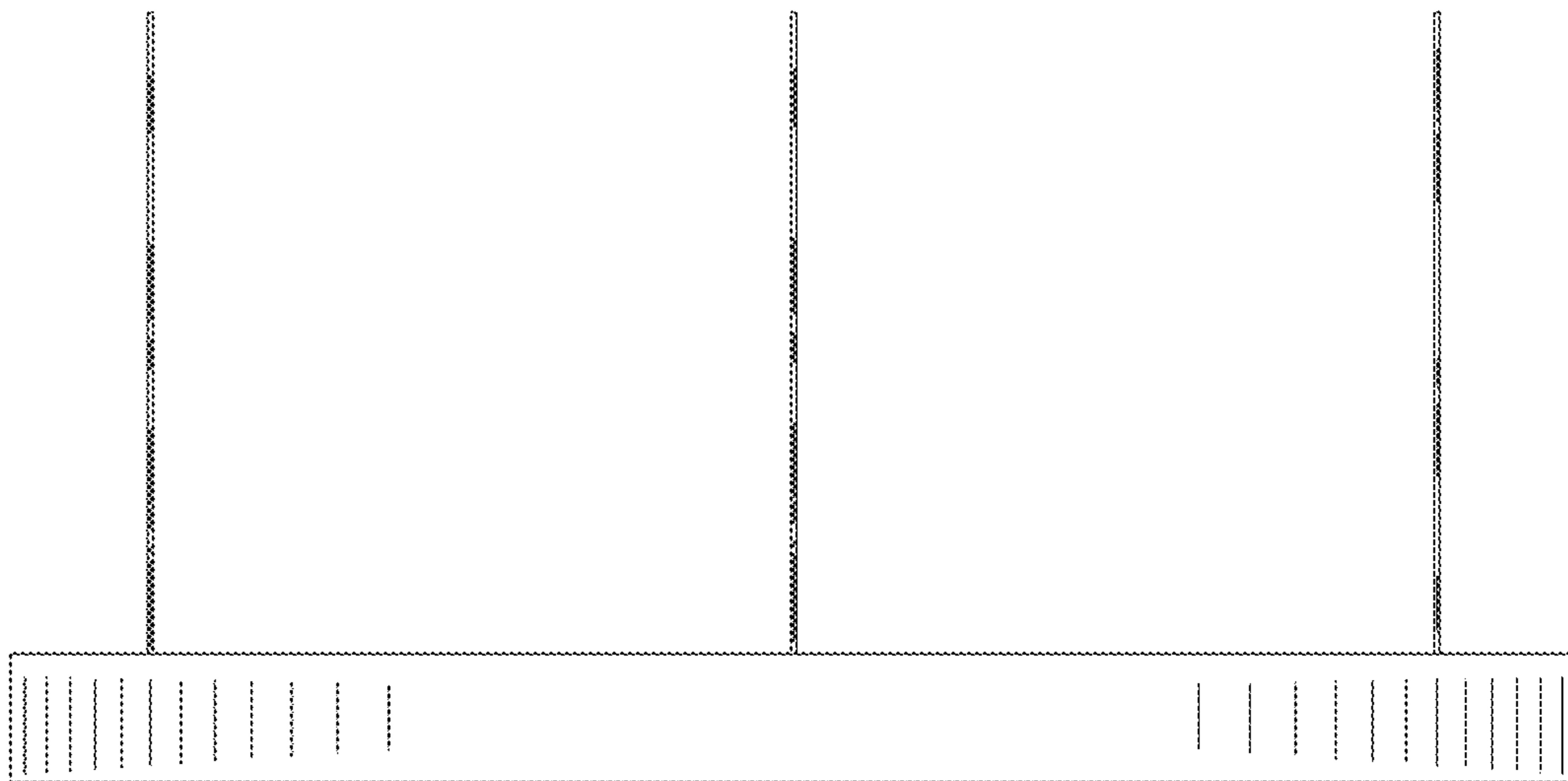


FIG. 3

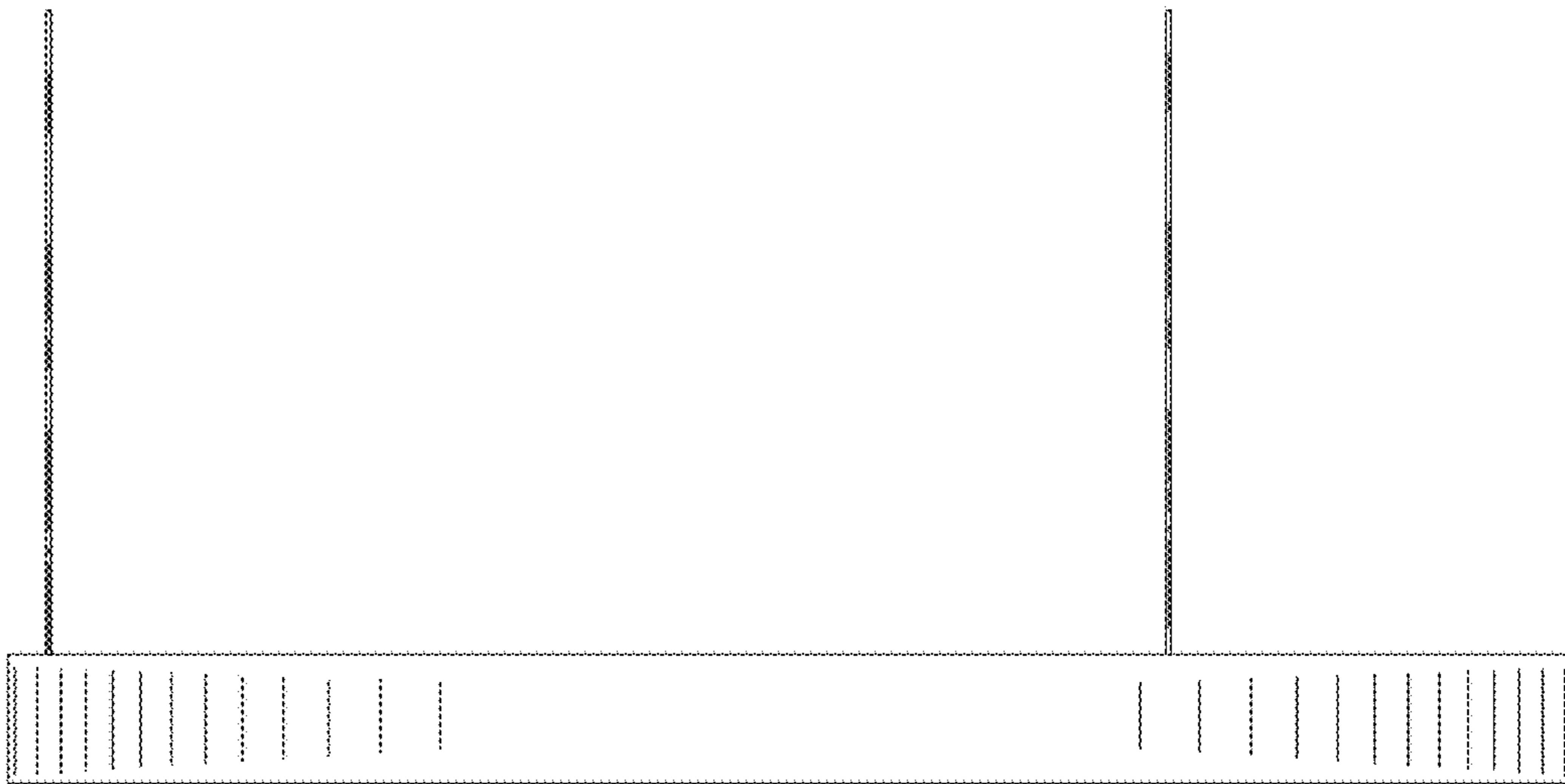


FIG. 4

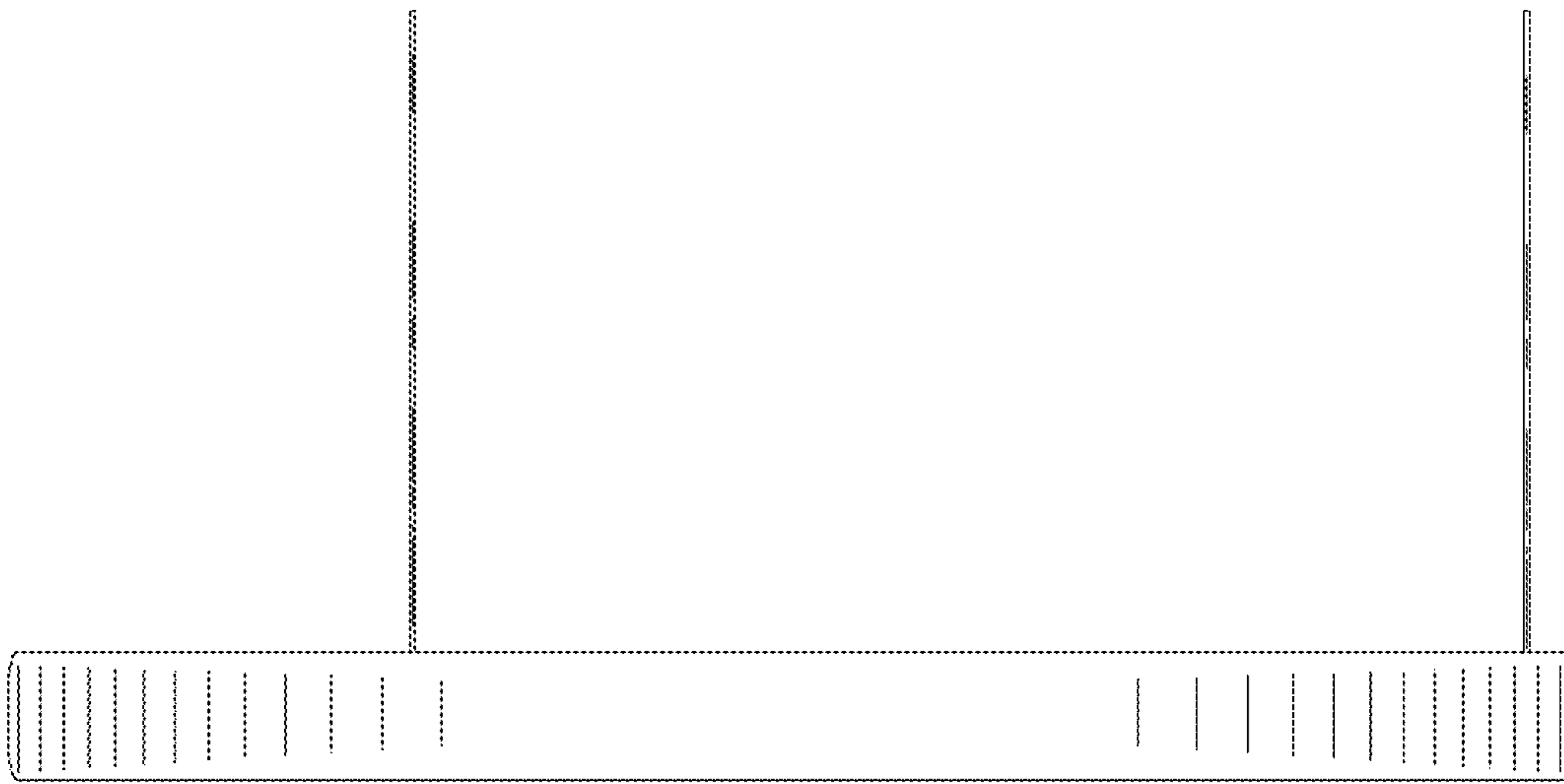


FIG. 5

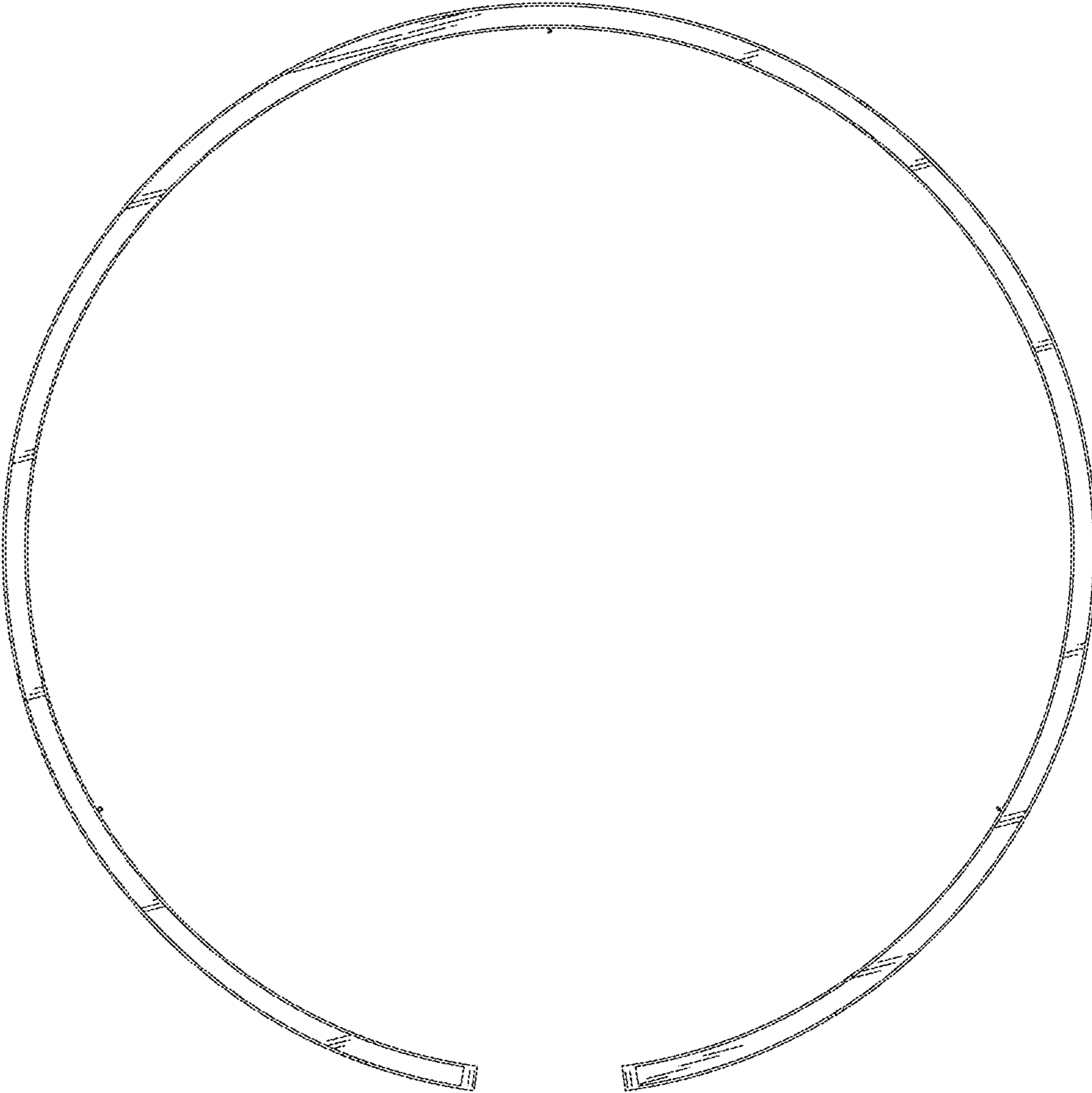


FIG. 6

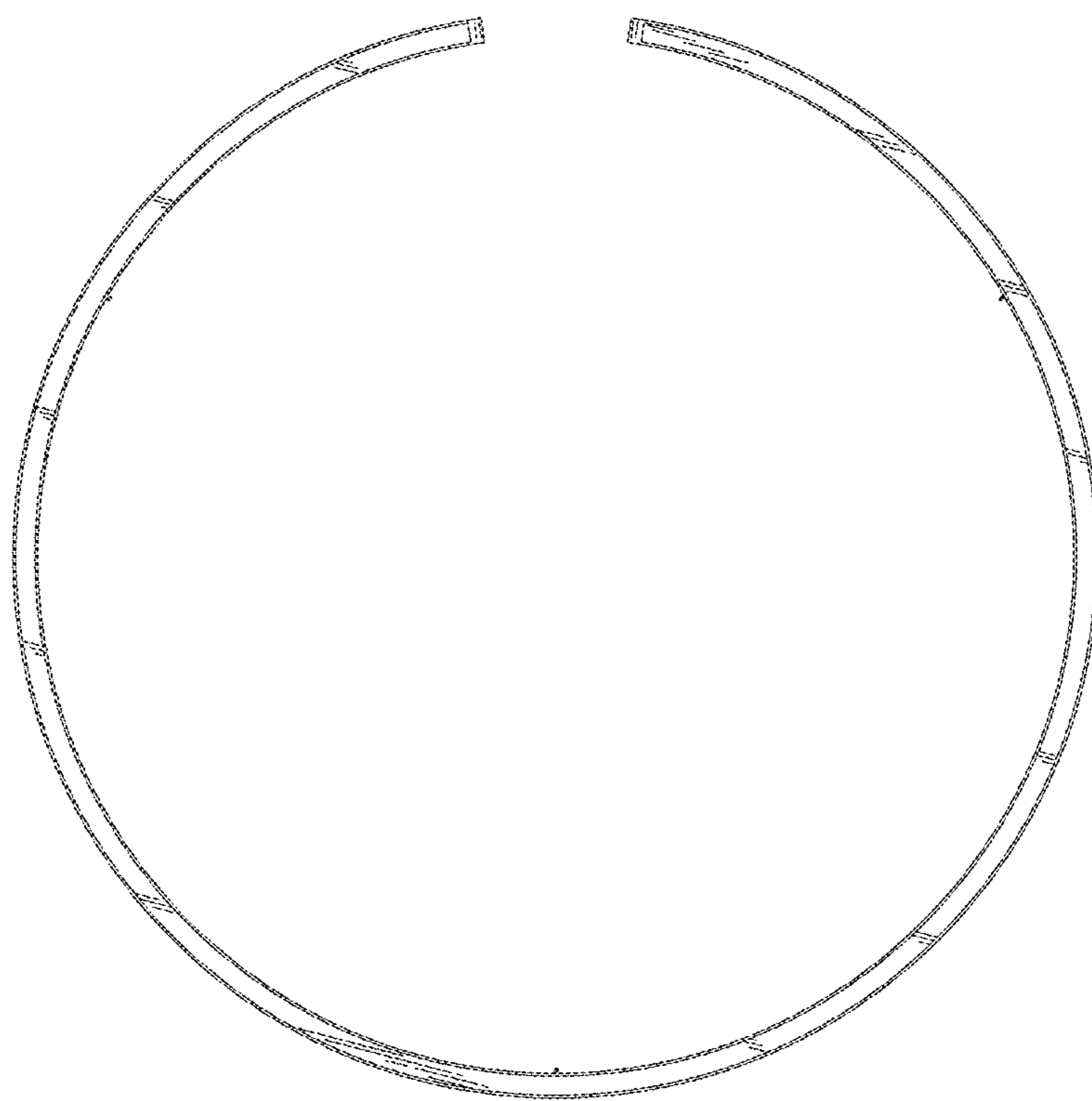


FIG. 7