



US00D809698S

(12) **United States Design Patent**  
**Benghozi et al.**

(10) **Patent No.:** **US D809,698 S**

(45) **Date of Patent:** **\*\* Feb. 6, 2018**

- (54) **RECESSED LIGHT FIXTURE**
- (71) Applicant: **BAZZ INC.**, Saint-Laurent (CA)
- (72) Inventors: **Simon Benghozi**, Montreal (CA);  
**Sebastien Allen**, St-Lazare (CA)
- (73) Assignee: **BAZZ INC.**, Ville Saint-Laurent (CA)
- (\*\*) Term: **15 Years**
- (21) Appl. No.: **29/567,244**
- (22) Filed: **Jun. 7, 2016**
- (51) **LOC (11) Cl.** ..... **26-05**
- (52) **U.S. Cl.**  
USPC ..... **D26/74**
- (58) **Field of Classification Search**  
USPC ..... D26/74, 72, 75, 76, 77, 78, 85, 88, 89,  
D26/118, 138, 141; 362/364, 365, 373,  
362/145, 146, 147, 148, 150, 153, 153.1,  
362/294, 296.01, 296.07, 296.08  
See application file for complete search history.

- (56) **References Cited**  
U.S. PATENT DOCUMENTS  
D383,564 S \* 9/1997 Lecluze ..... D26/118  
D488,251 S \* 4/2004 Benghozi ..... D26/118  
D622,434 S \* 8/2010 Ward ..... F21S 8/026  
D26/74

- D640,819 S \* 6/2011 Pan ..... D26/74
- D668,372 S \* 10/2012 Renshaw ..... D26/74
- D671,668 S \* 11/2012 Rowlette, Jr. .... D26/74
- D731,689 S \* 6/2015 Bernard ..... D26/74
- D767,809 S \* 9/2016 Gotz-Schafer ..... D26/74
- D772,466 S \* 11/2016 Zhang ..... D26/74
- D773,097 S \* 11/2016 Zhao ..... D26/74

\* cited by examiner

*Primary Examiner* — Angela J Lee  
(74) *Attorney, Agent, or Firm* — Gonzalo Lavin

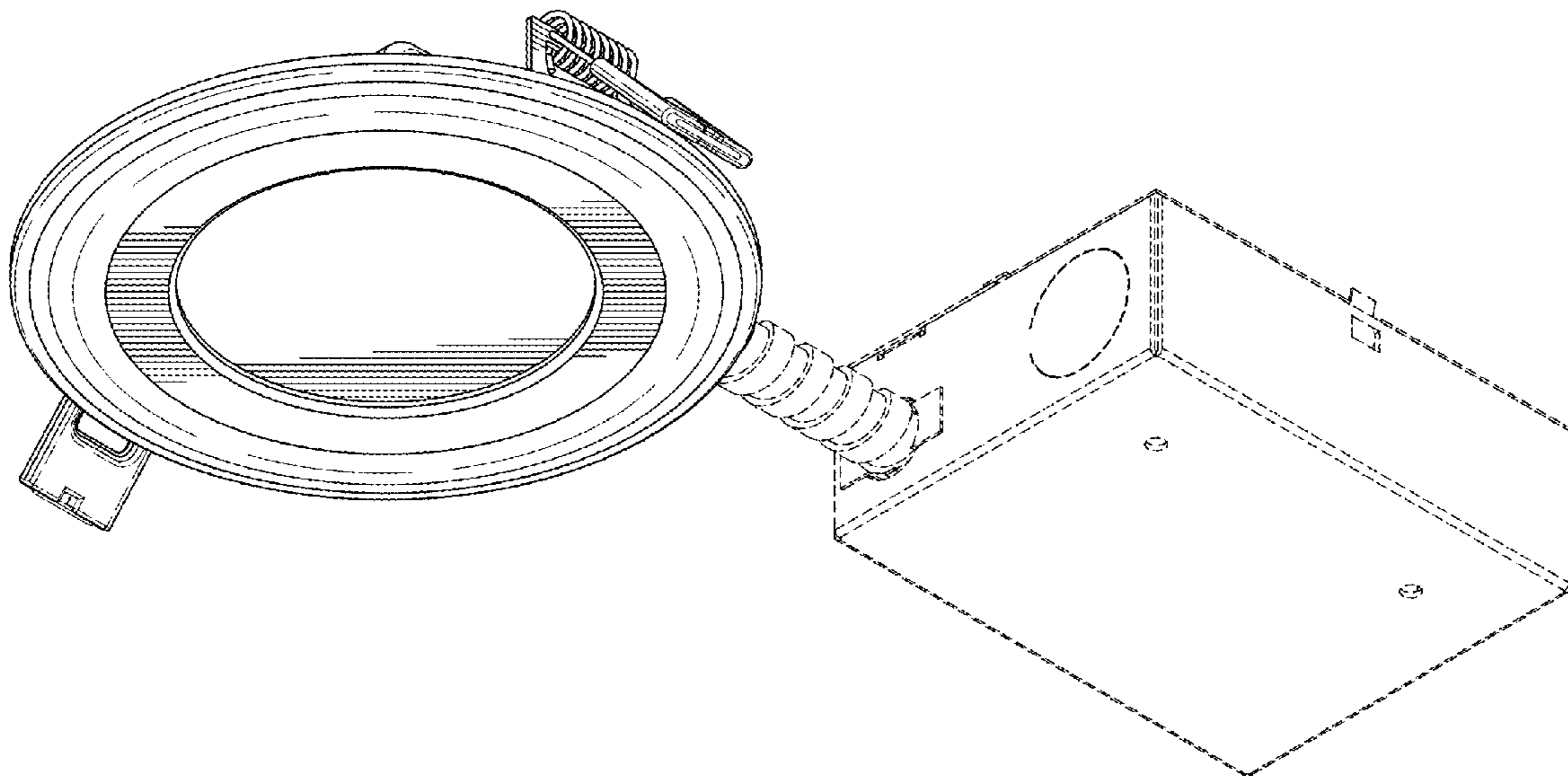
(57) **CLAIM**

The ornamental design for a “recessed light fixture”, as shown and described.

**DESCRIPTION**

FIG. 1 is a perspective bottom view of the recessed light fixture;  
 FIG. 2 is a front view the recessed light fixture of FIG. 1;  
 FIG. 3 is a rear view the recessed light fixture of FIG. 1;  
 FIG. 4 is a right view the recessed light fixture of FIG. 1;  
 FIG. 5 is a left view the recessed light fixture of FIG. 1;  
 FIG. 6 is a bottom plan view the recessed light fixture of FIG. 1; and,  
 FIG. 7 is a top plan view the recessed light fixture of FIG. 1.  
 The broken line showing of portions of the “recessed light fixture” is included for the purpose of illustrating environmental structure and forms no part of the claimed design.

**1 Claim, 5 Drawing Sheets**



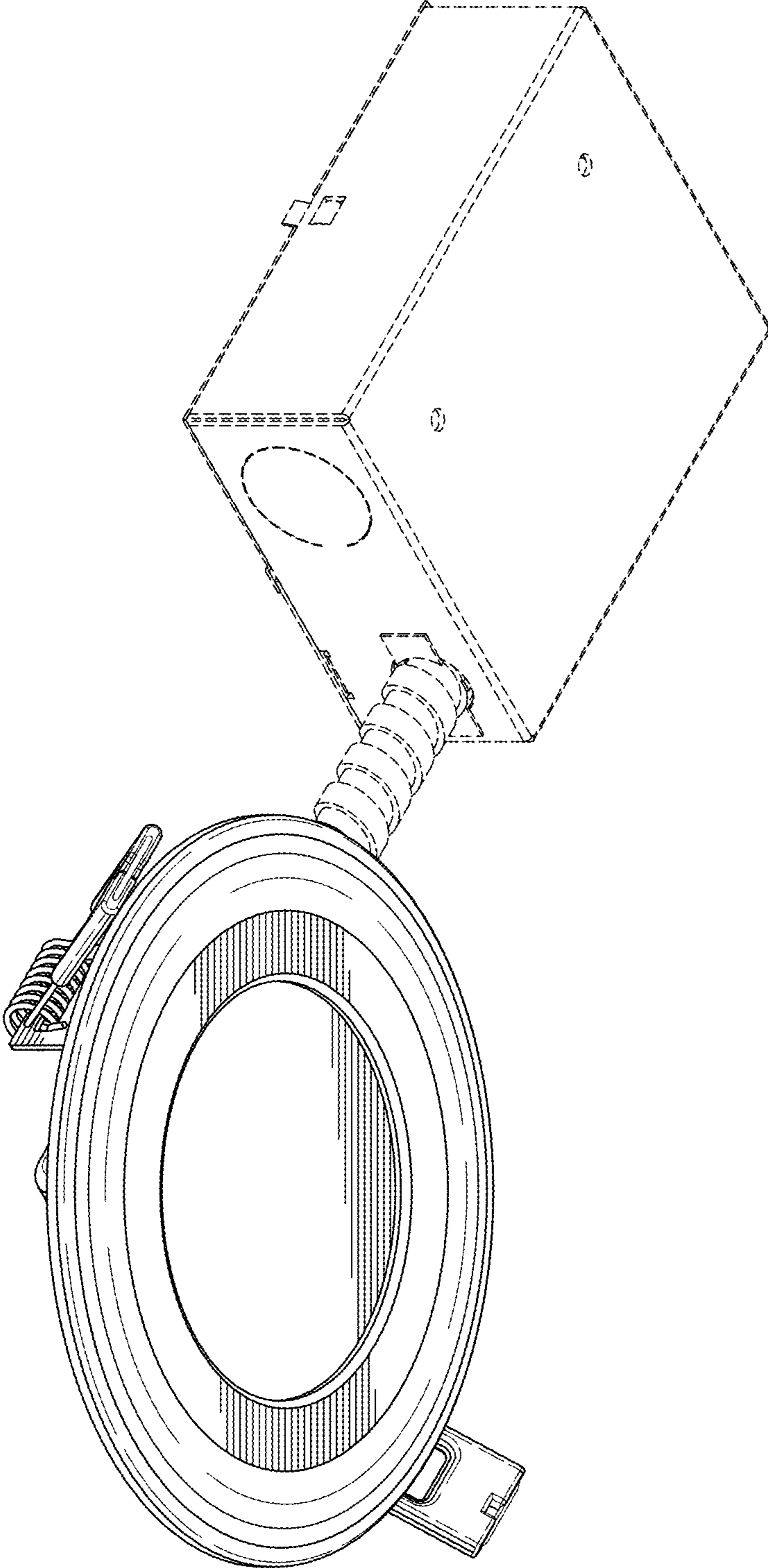


FIG. 1

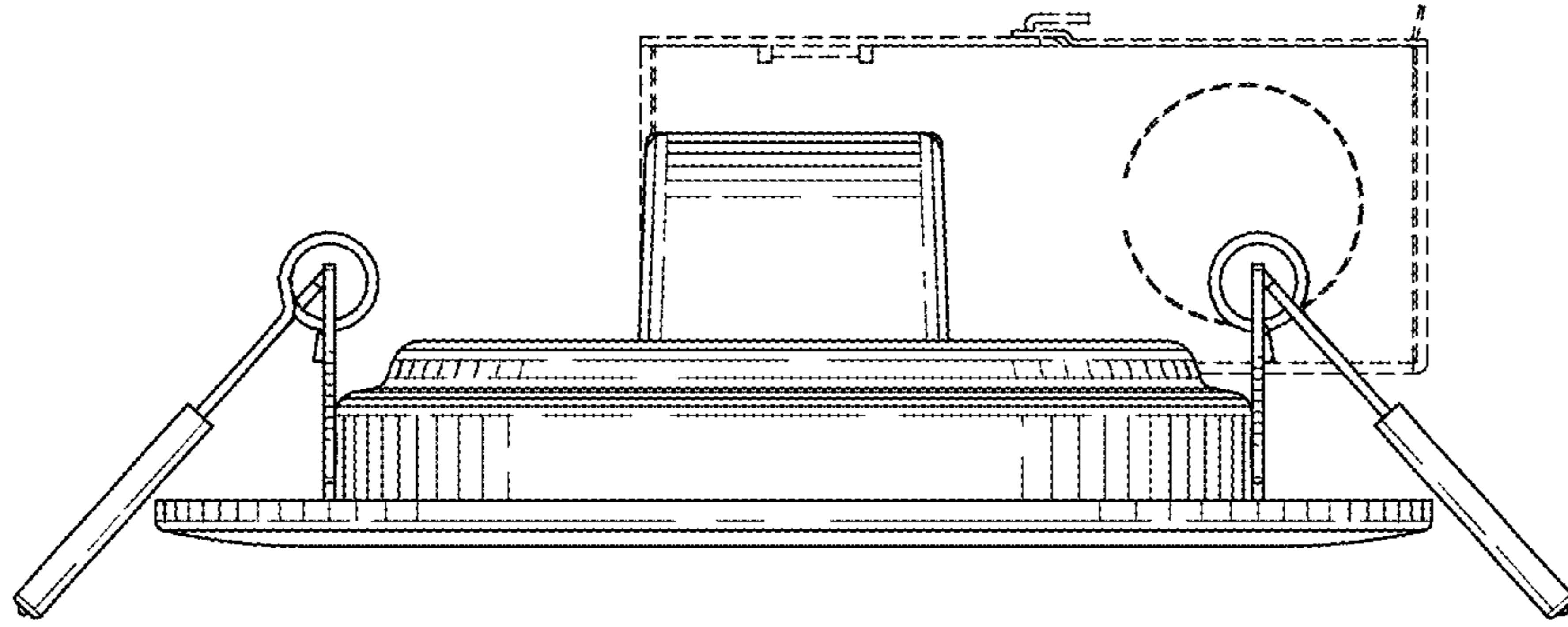


FIG. 2

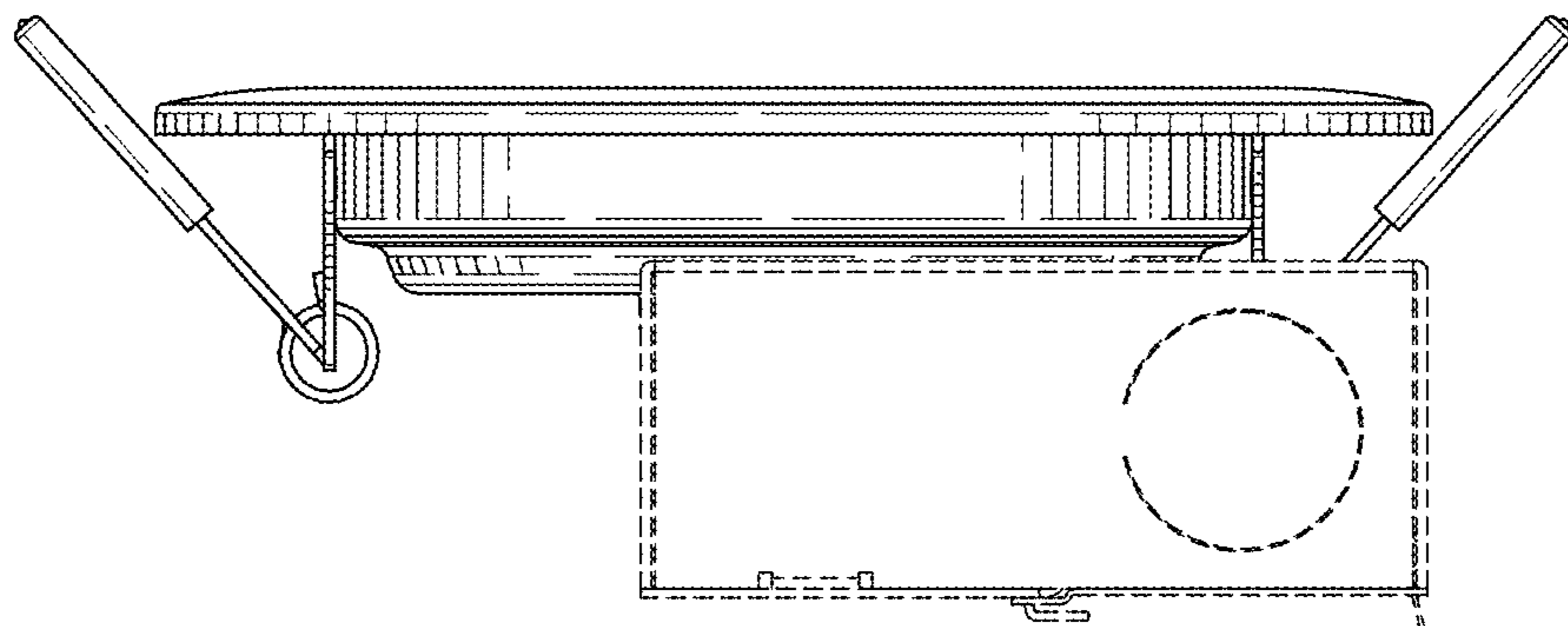


FIG. 3

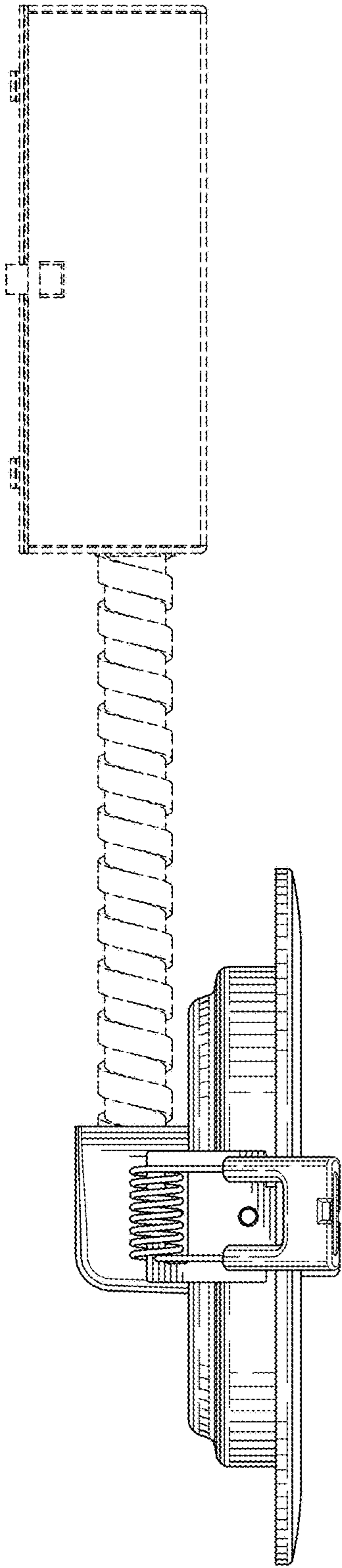


FIG. 4

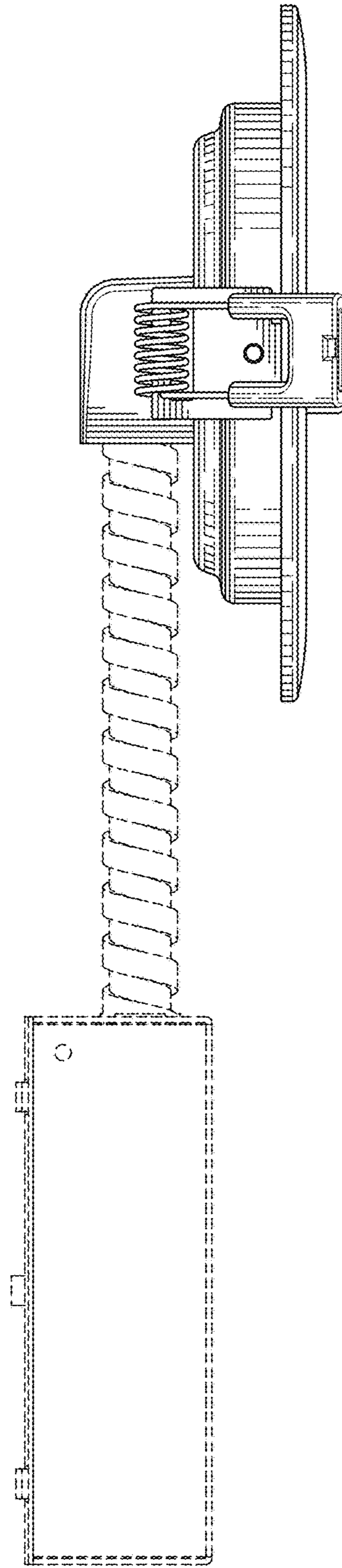


FIG. 5

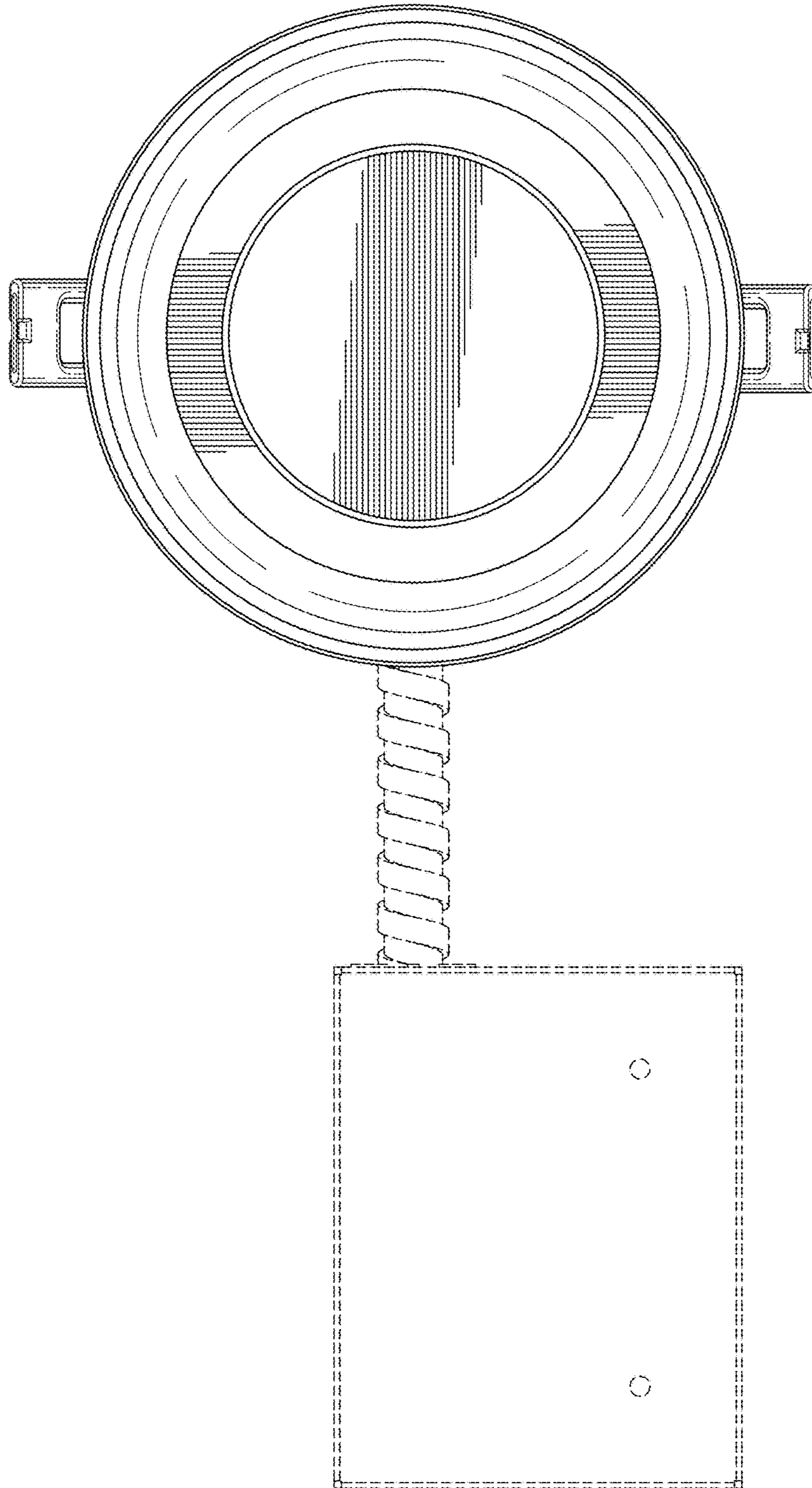


Fig. 6

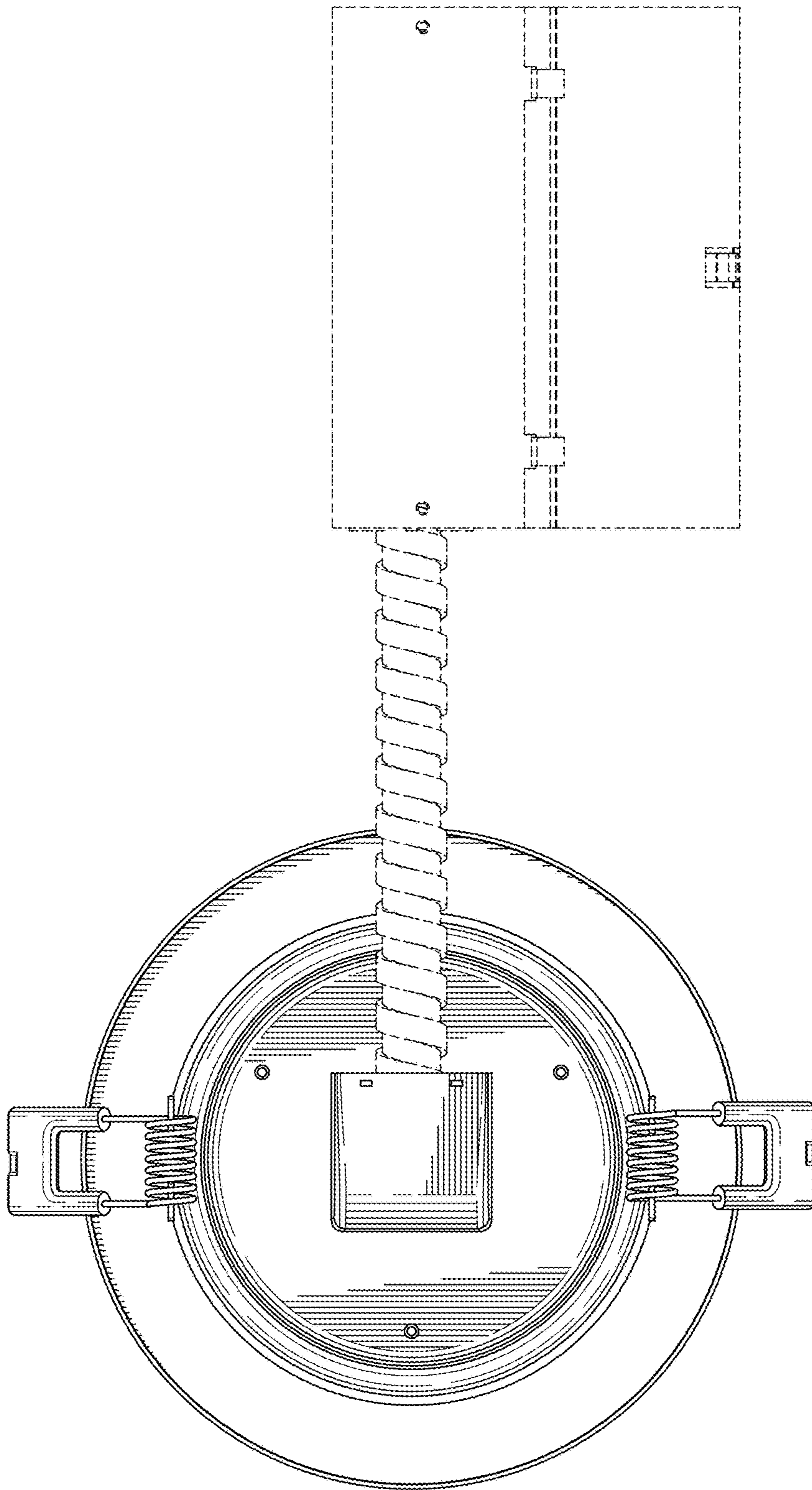


FIG. 7