



US00D809697S

(12) **United States Design Patent**
So et al.

(10) **Patent No.:** **US D809,697 S**

(45) **Date of Patent:** **** Feb. 6, 2018**

(54) **CRUCIFORM CEILING LIGHT**

(71) Applicant: **KUMHO ELECTRIC, INC.**, Seoul
(KR)

(72) Inventors: **Min Su So**, Yongin-si (KR); **Joo Seok Oh**, Hwaseong-si (KR)

(73) Assignee: **KUMHO ELECTRIC, INC.**, Seoul
(KR)

(**) Term: **15 Years**

(21) Appl. No.: **29/563,632**

(22) Filed: **May 6, 2016**

(30) **Foreign Application Priority Data**

Jan. 27, 2016 (KR) 30-2016-0004026

(51) **LOC (11) Cl.** **26-05**

(52) **U.S. Cl.**
USPC **D26/74**

(58) **Field of Classification Search**
USPC D26/74, 72, 75, 76, 77, 78, 85, 88, 89,
D26/118, 138, 141; 362/364, 365, 373,
362/145, 146, 147, 148, 150, 153, 153.1,
362/294, 296.01, 296.07, 296.08
See application file for complete search history.

(56) **References Cited**

U.S. PATENT DOCUMENTS

1,963,218 A * 6/1934 Wakefield F21V 21/00
362/147
D97,213 S * 10/1935 Stone D26/83

D242,065 S * 10/1976 Glassman D26/82
D508,580 S * 8/2005 Norris D11/121
D564,682 S * 3/2008 Voss D26/25
D639,701 S * 6/2011 Ditty D11/96
D698,972 S * 2/2014 Guzzini D26/74
D701,635 S * 3/2014 Lim D26/82
D715,514 S * 10/2014 Voss D99/27
D716,487 S * 10/2014 Martin D26/88
D728,842 S * 5/2015 Arola Ferrer D26/83
D764,095 S * 8/2016 Clark D26/88
D788,345 S * 5/2017 Salomon D26/74

* cited by examiner

Primary Examiner — Angela J Lee

(74) *Attorney, Agent, or Firm* — Rabin & Berdo, P.C.

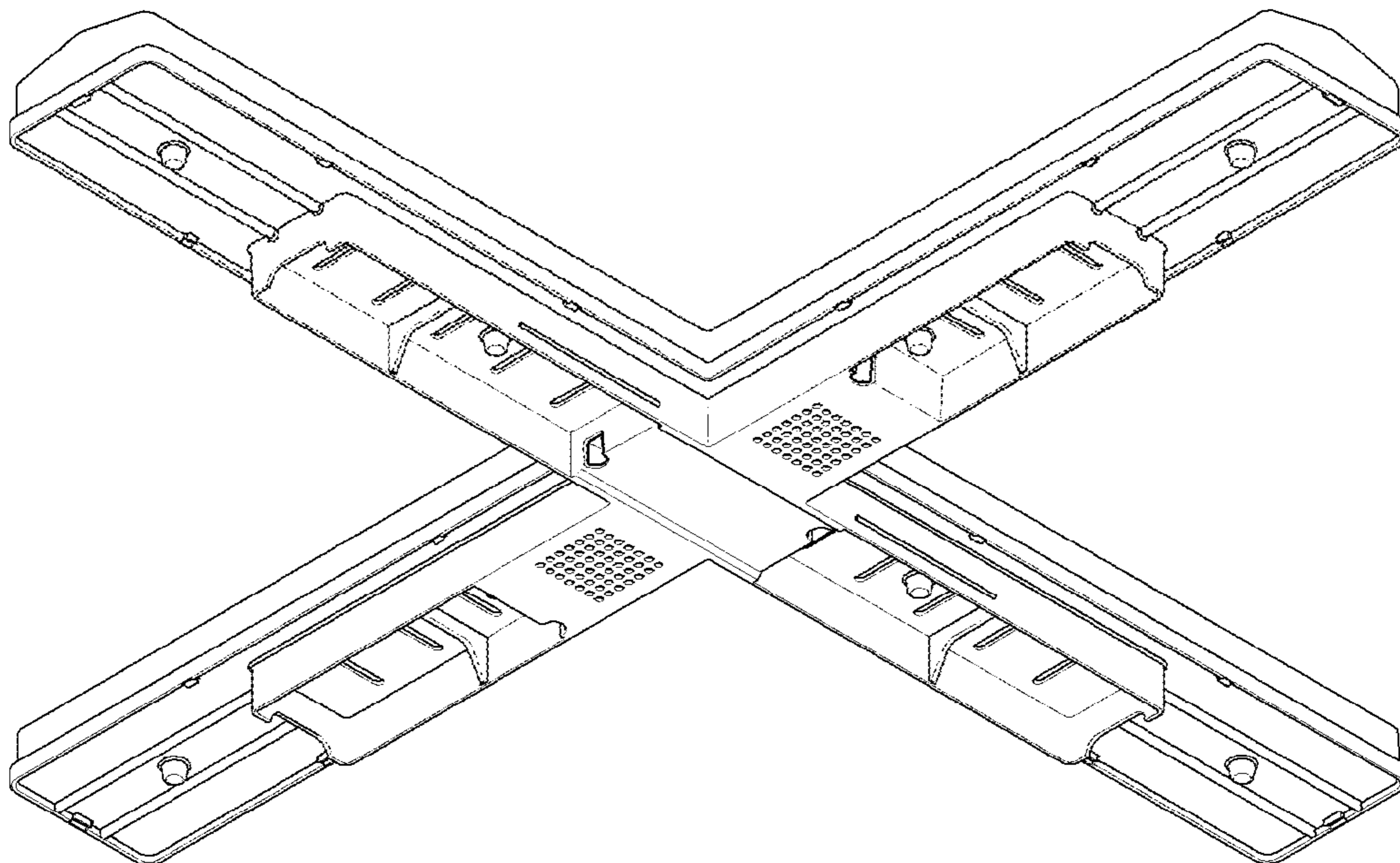
(57) **CLAIM**

The ornamental design for a cruciform ceiling light, as shown and described.

DESCRIPTION

FIG. 1 is a top perspective view of a cruciform ceiling light showing my new design;
FIG. 2 is a front elevational view thereof;
FIG. 3 is a rear elevational view thereof;
FIG. 4 is a left side elevational view thereof;
FIG. 5 is a right side elevational view thereof;
FIG. 6 is a top view thereof;
FIG. 7 is a bottom view thereof; and,
FIG. 8 is a bottom perspective view thereof.

1 Claim, 5 Drawing Sheets



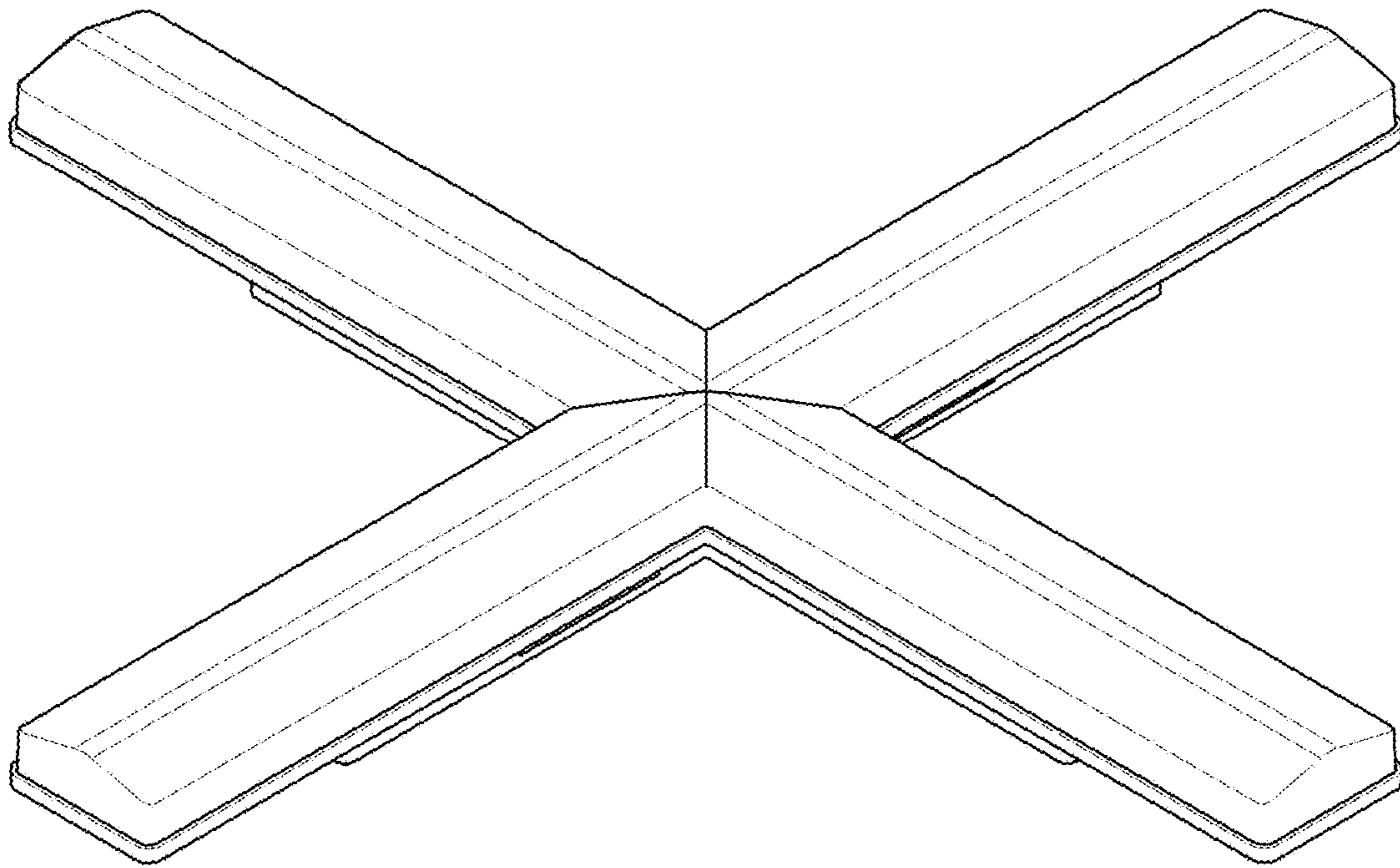


FIG. 1

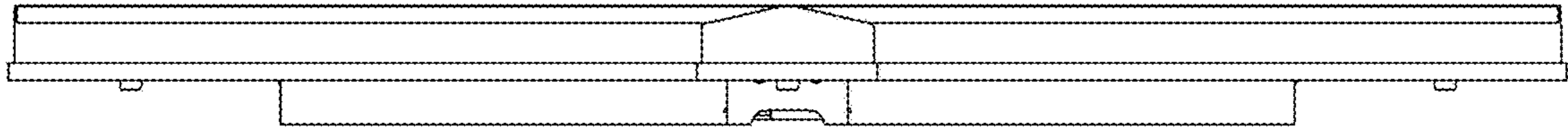


FIG. 2

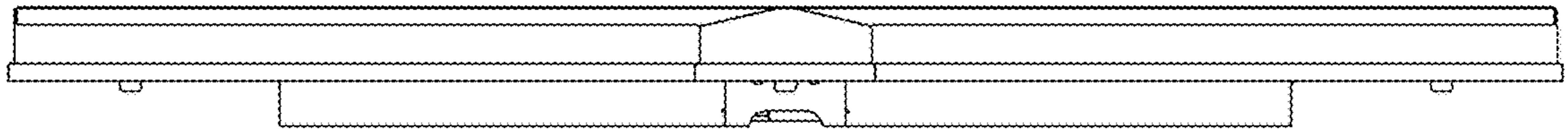


FIG. 3

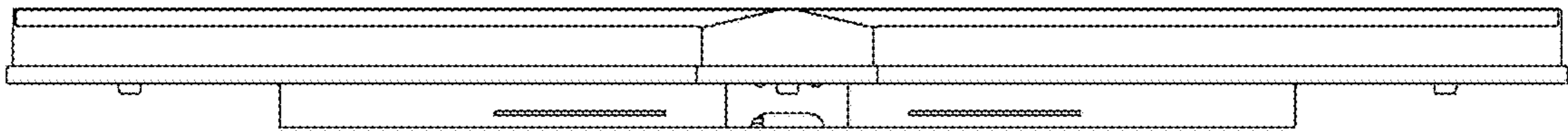


FIG. 4

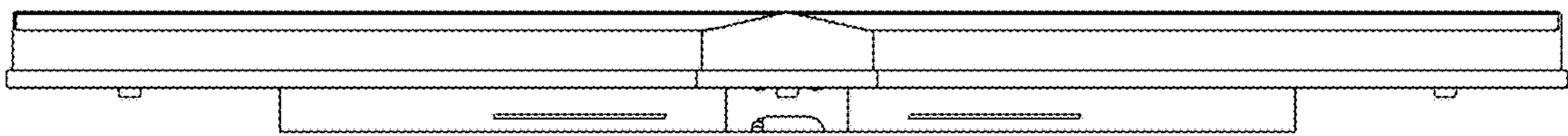


FIG. 5

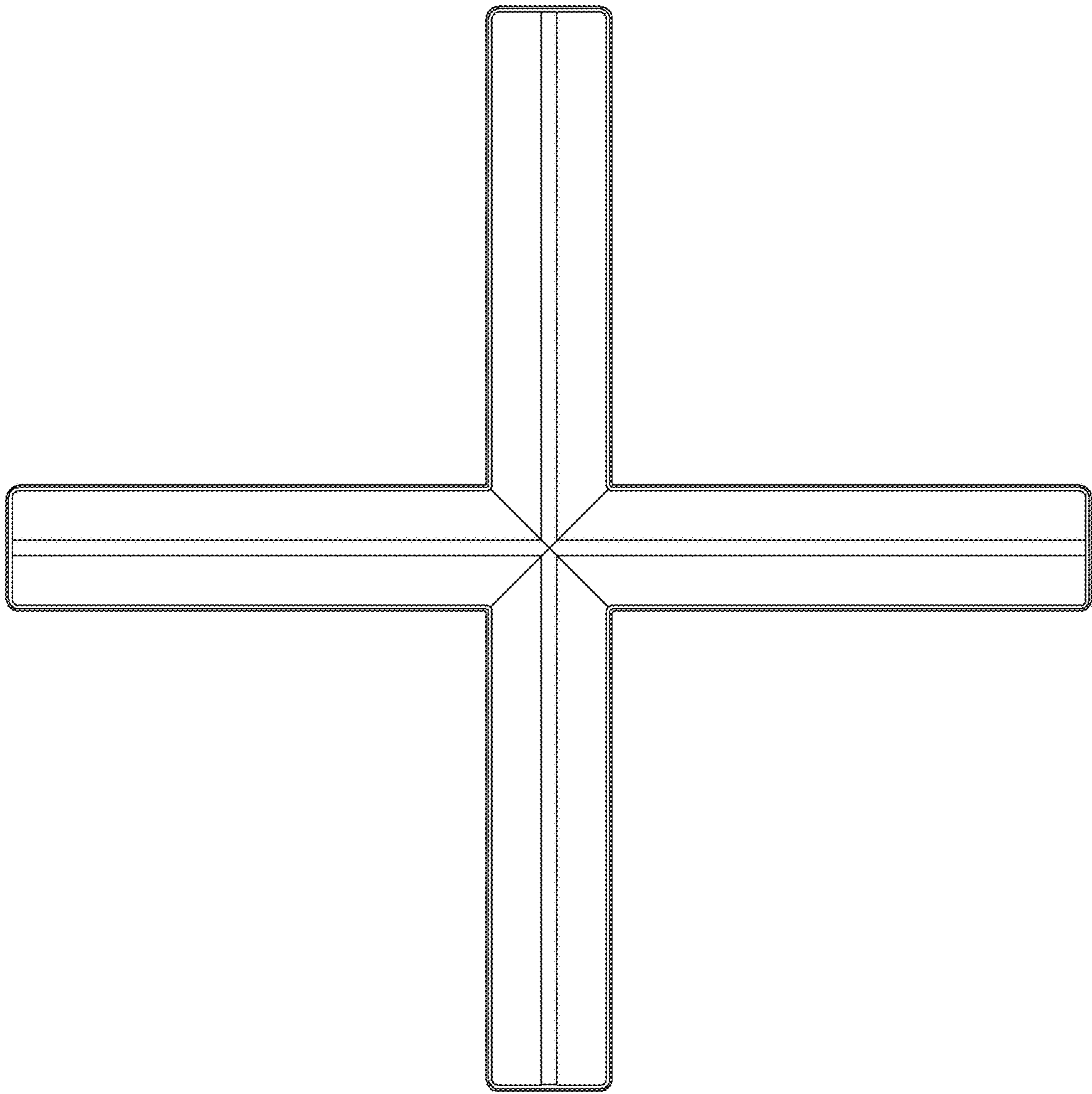


FIG. 6

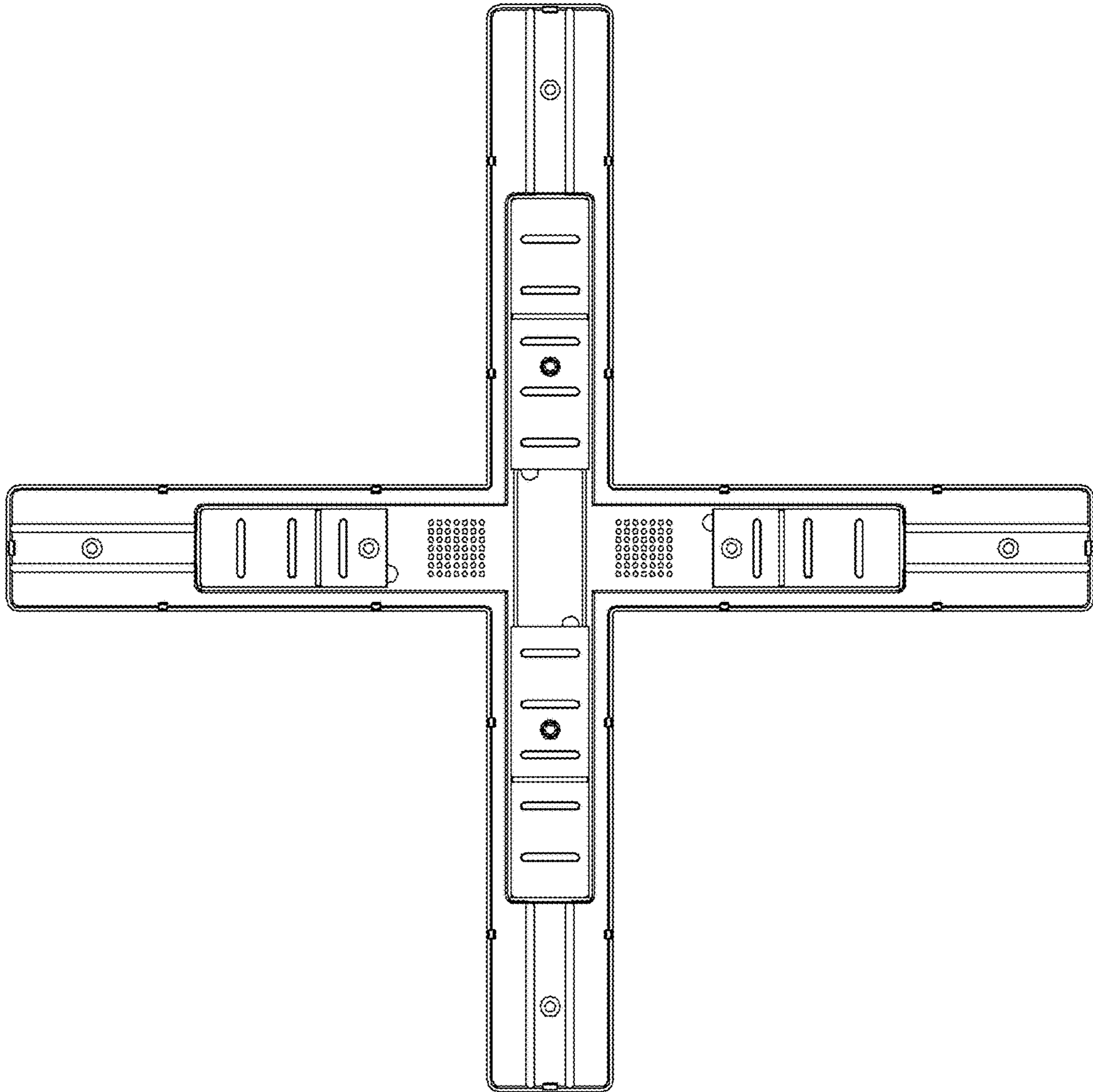


FIG. 7

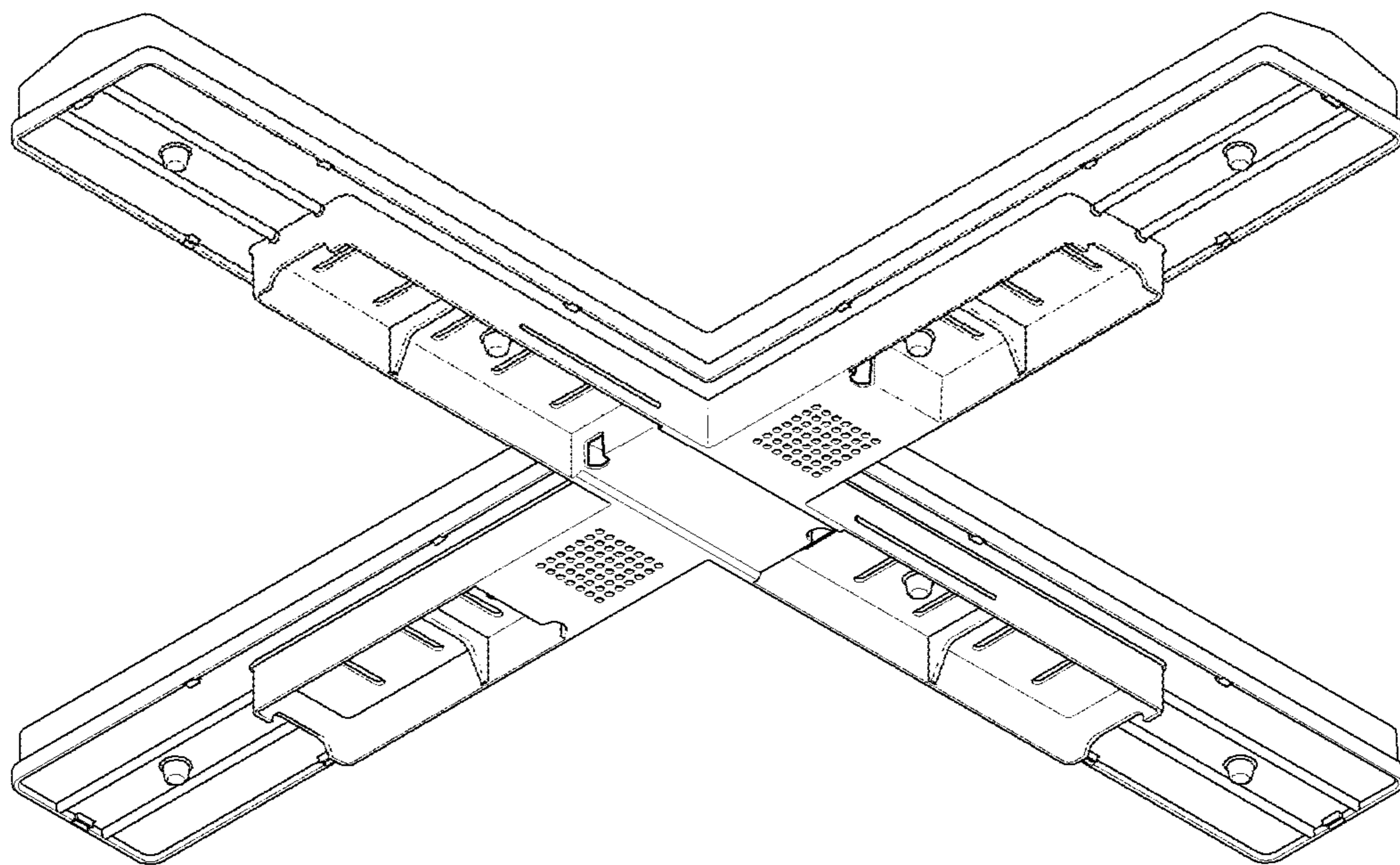


FIG. 8