



US00D809694S

(12) **United States Design Patent**
Galipeau et al.

(10) **Patent No.:** **US D809,694 S**

(45) **Date of Patent:** **** *Feb. 6, 2018**

(54) **LUMINAIRE**

(71) Applicant: **PHILIPS LIGHTING HOLDING B.V.**, Eindhoven (NL)

(72) Inventors: **Guy Galipeau**, Ste-Thérèse (CA);
Sergio Jurdana, Blainville (CA);
Alexandre Plomteux, Montreal (CA);
Jonathan Hardy, Laval (CA); **Michel Fortin**, Sainte-Marthe sur le Lac (CA);
Jean-Francois Duquette, Kirkland (CA); **David Cavaliere**, Prevost (CA)

(73) Assignee: **PHILIPS LIGHTING HOLDING B.V.**, Eindhoven (NL)

(*) Notice: This patent is subject to a terminal disclaimer.

(**) Term: **15 Years**

(21) Appl. No.: **29/551,828**

(22) Filed: **Jan. 18, 2016**

(51) **LOC (11) Cl.** **26-05**

(52) **U.S. Cl.**
USPC **D26/68**

(58) **Field of Classification Search**
USPC D26/63, 67-70; D10/113.2
CPC F21S 8/08; F21S 8/081; F21S 8/083; F21S 8/088; F21S 9/03; F21S 9/032; F21S 9/035; F21S 9/037; F21W 2131/109; F21W 2111/023; F21V 21/0824
See application file for complete search history.

(56) **References Cited**

U.S. PATENT DOCUMENTS

- 1,034,211 A * 7/1912 De Palma E04H 12/2269 362/431
- D80,048 S * 12/1929 Pinaglia D26/112
- D193,407 S * 8/1962 Pettengill D26/67

- D194,624 S * 2/1963 Pettengill D26/67
- 3,145,934 A * 8/1964 Guggemos F21S 8/088 362/382
- D199,266 S * 9/1964 Izzi D26/67
- D199,409 S * 10/1964 Van Steenhoven D26/67
- D599,932 S * 9/2009 Van Klinken D26/67
- D599,933 S * 9/2009 van Klinken D26/67
- D599,937 S * 9/2009 Sabernig D26/67
- D599,938 S * 9/2009 Sabernig D26/67
- 2007/0285912 A1 * 12/2007 Lin F21S 8/088 362/4
- 2008/0316747 A1 * 12/2008 Lac F21V 11/02 362/290
- 2011/0032695 A1 * 2/2011 Cumberland F21S 8/036 362/183
- 2013/0094198 A1 * 4/2013 Lee F21L 4/00 362/217.05
- 2013/0094208 A1 * 4/2013 Gill F21S 8/088 362/235
- 2015/0211694 A1 * 7/2015 Camenzuli F21L 4/08 362/183

* cited by examiner

Primary Examiner — Clare E Hefflin

(57) **CLAIM**

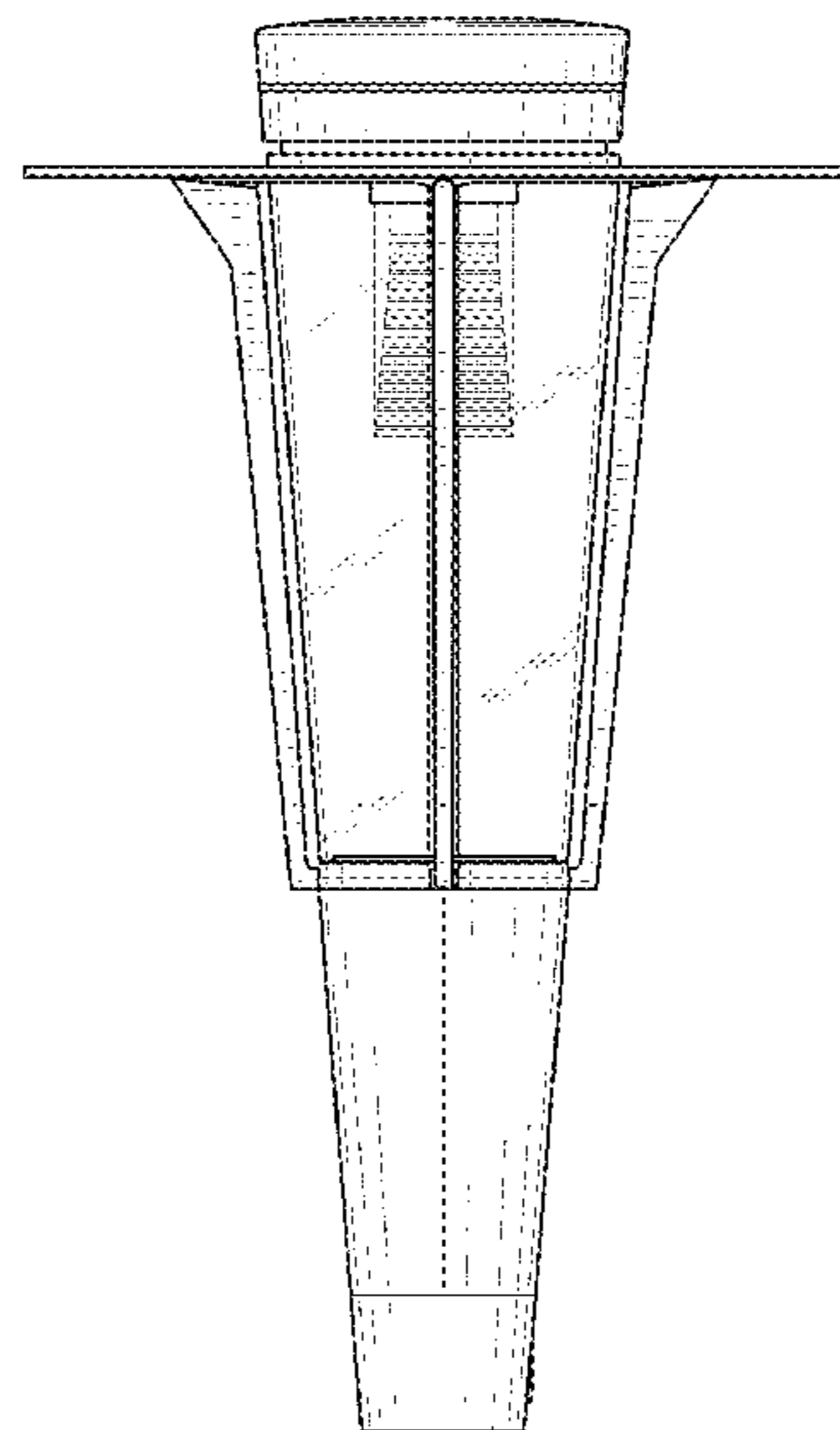
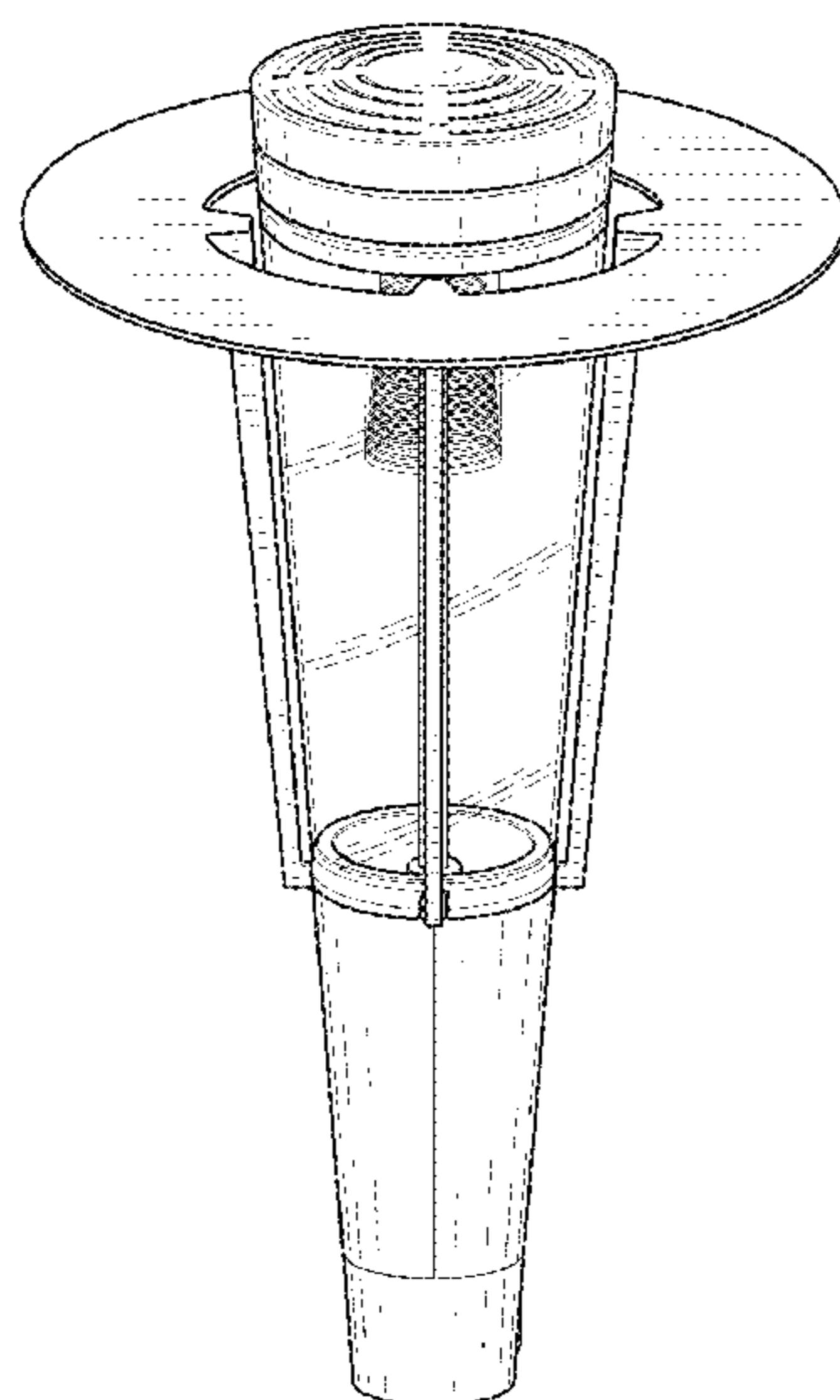
The ornamental design for a luminaire, as shown and described.

DESCRIPTION

FIG. 1 is a bottom perspective view showing my design; FIG. 2 is top perspective view showing my design; FIG. 3 is a front elevational view thereof; FIG. 4 is a rear elevational view thereof; FIG. 5 is a right side elevational view thereof; FIG. 6 is a left side elevational view thereof; FIG. 7 is a top plan view thereof; and, FIG. 8 is a bottom plan view thereof.

The dash-dot-dash broken lines shown represent the bounds of the claim and forms no part thereof and the dashed broken lines shown therein illustrate portions of the luminaire that form no part of the claimed design.

1 Claim, 8 Drawing Sheets



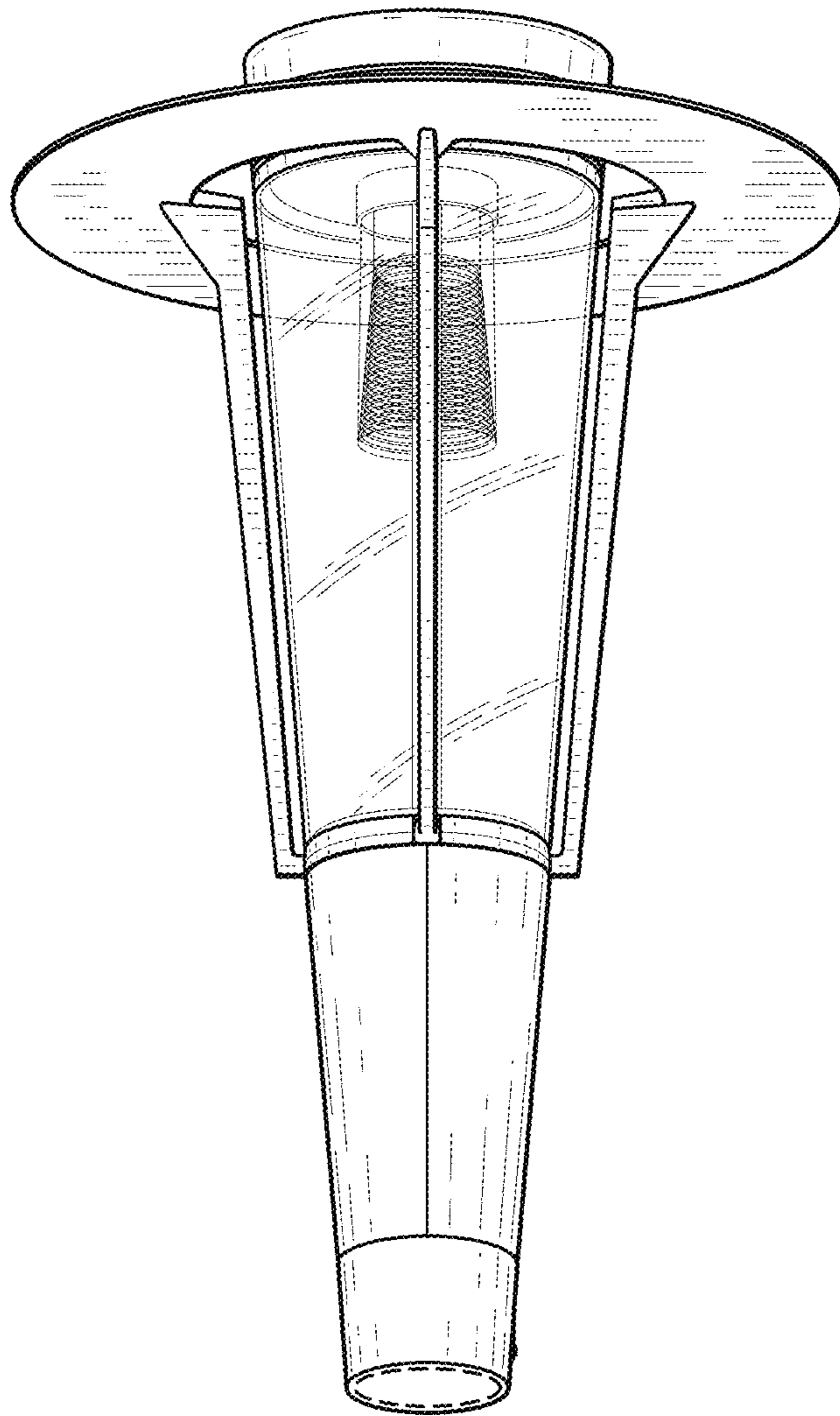


FIG.1

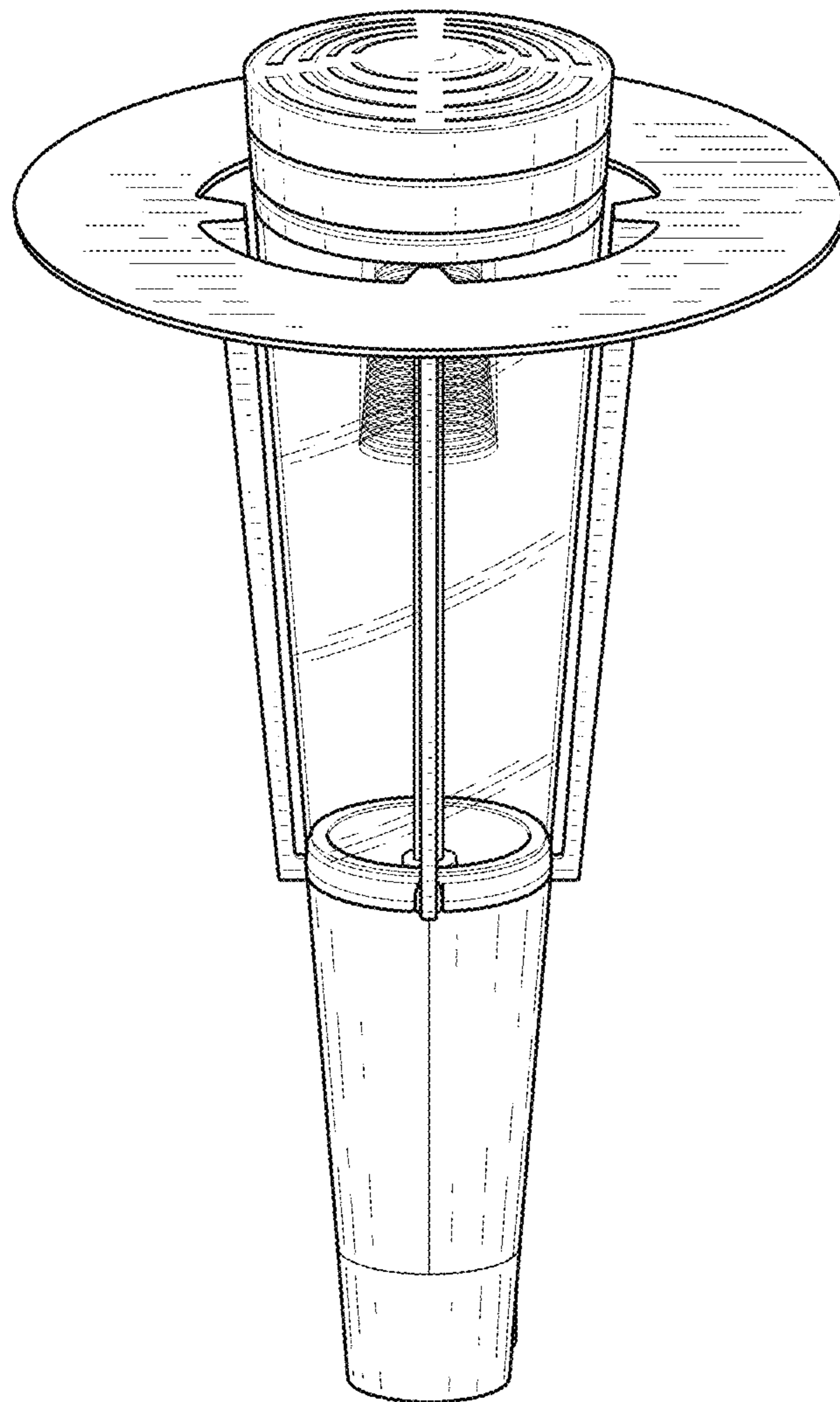


FIG.2

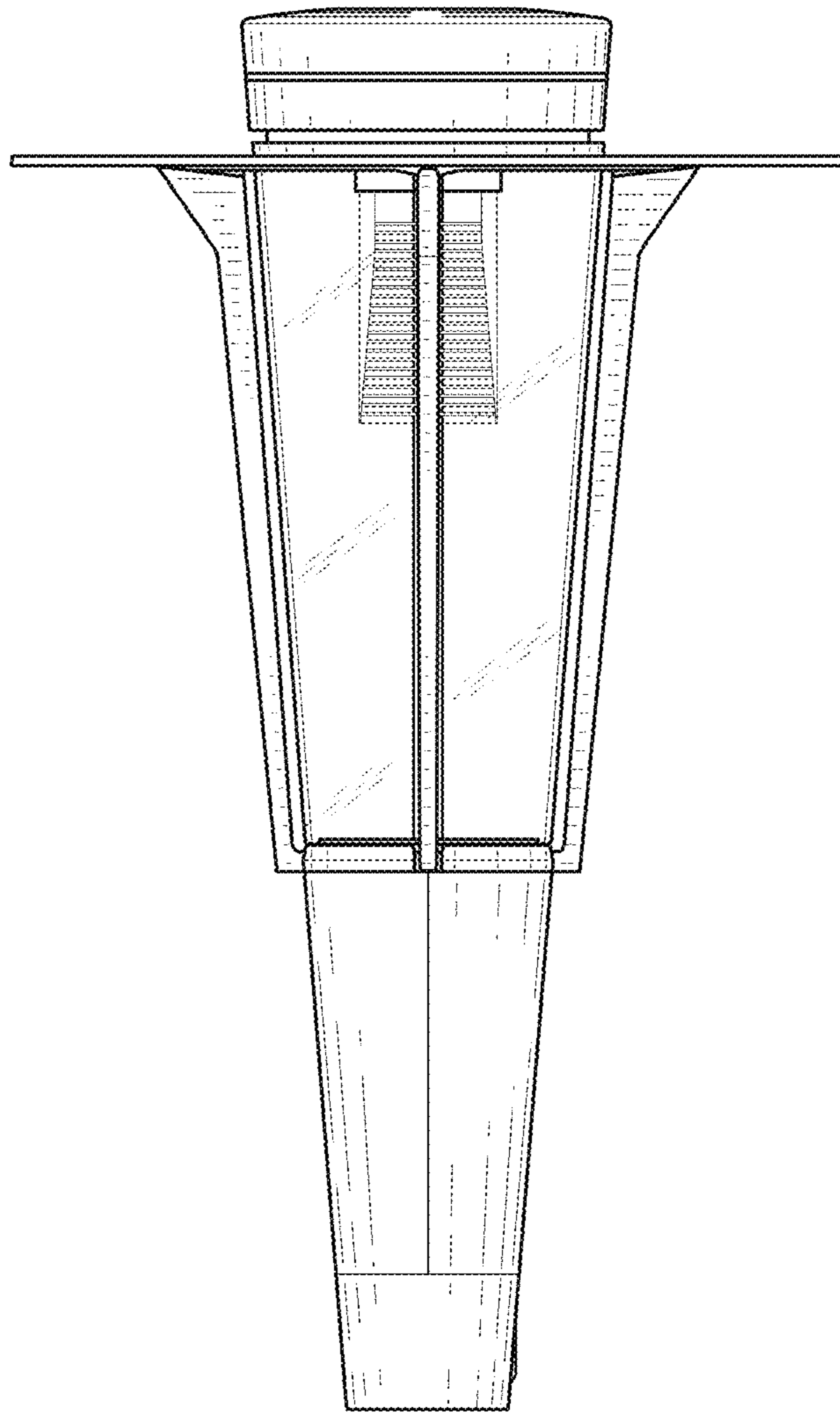


FIG.3

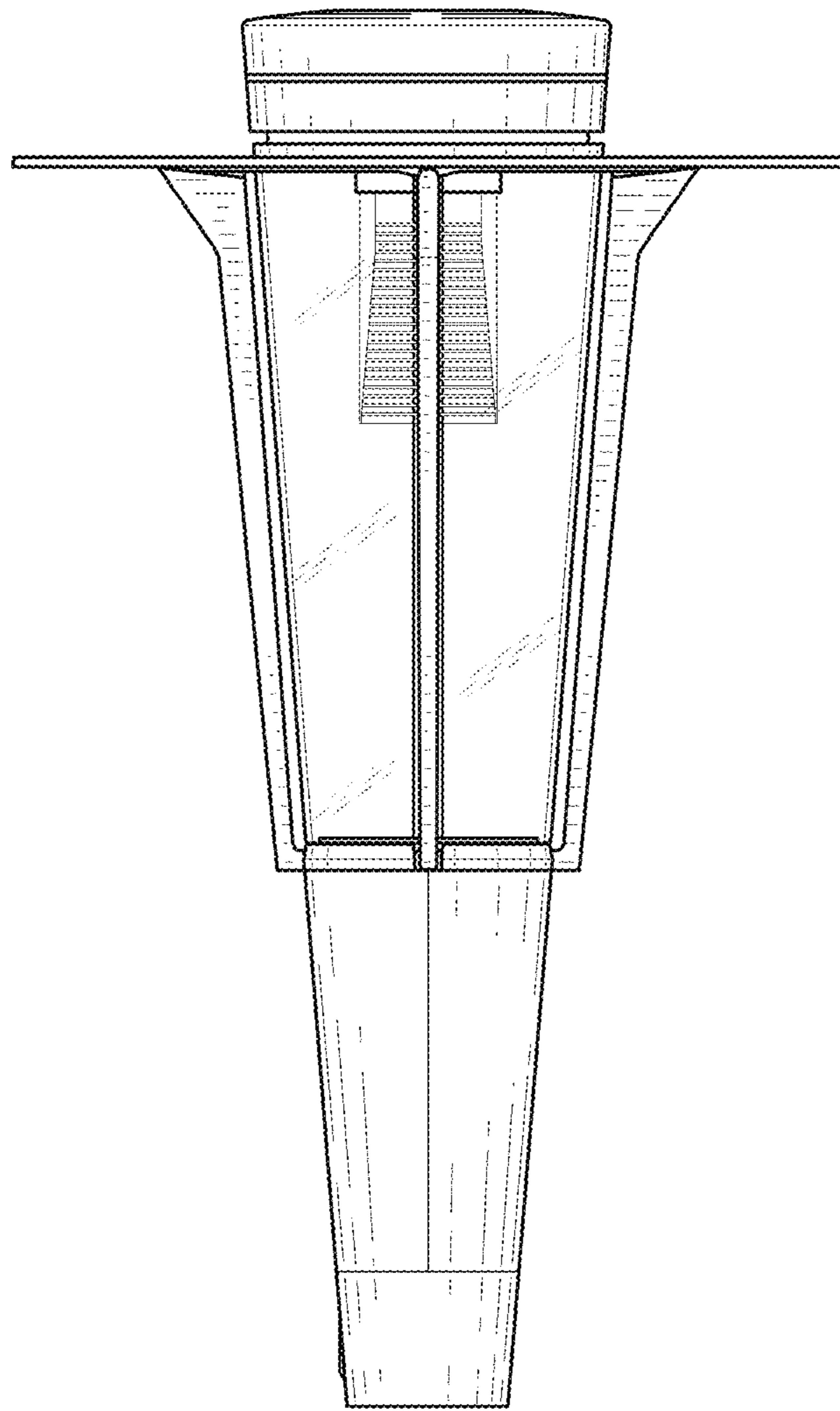


FIG.4

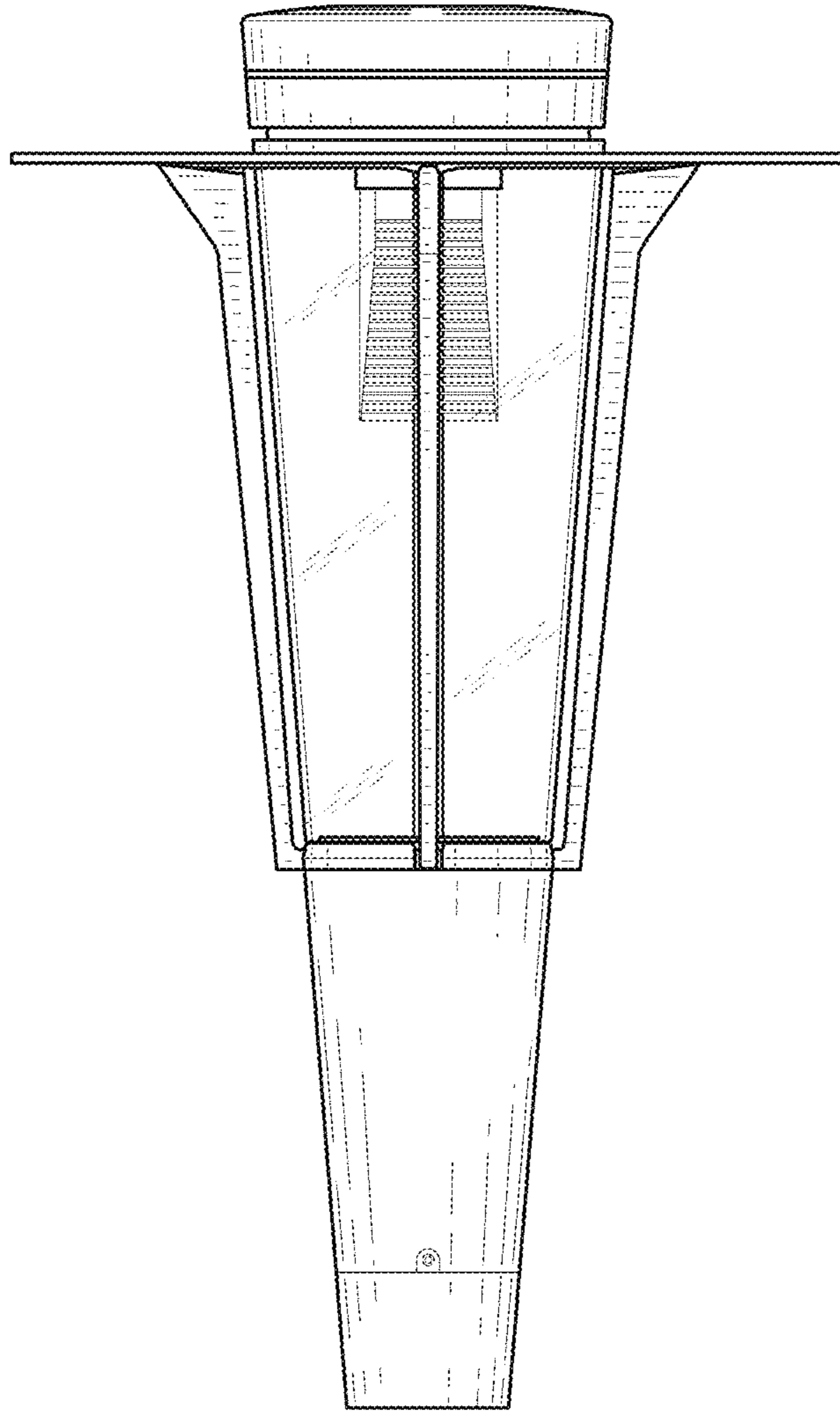


FIG.5

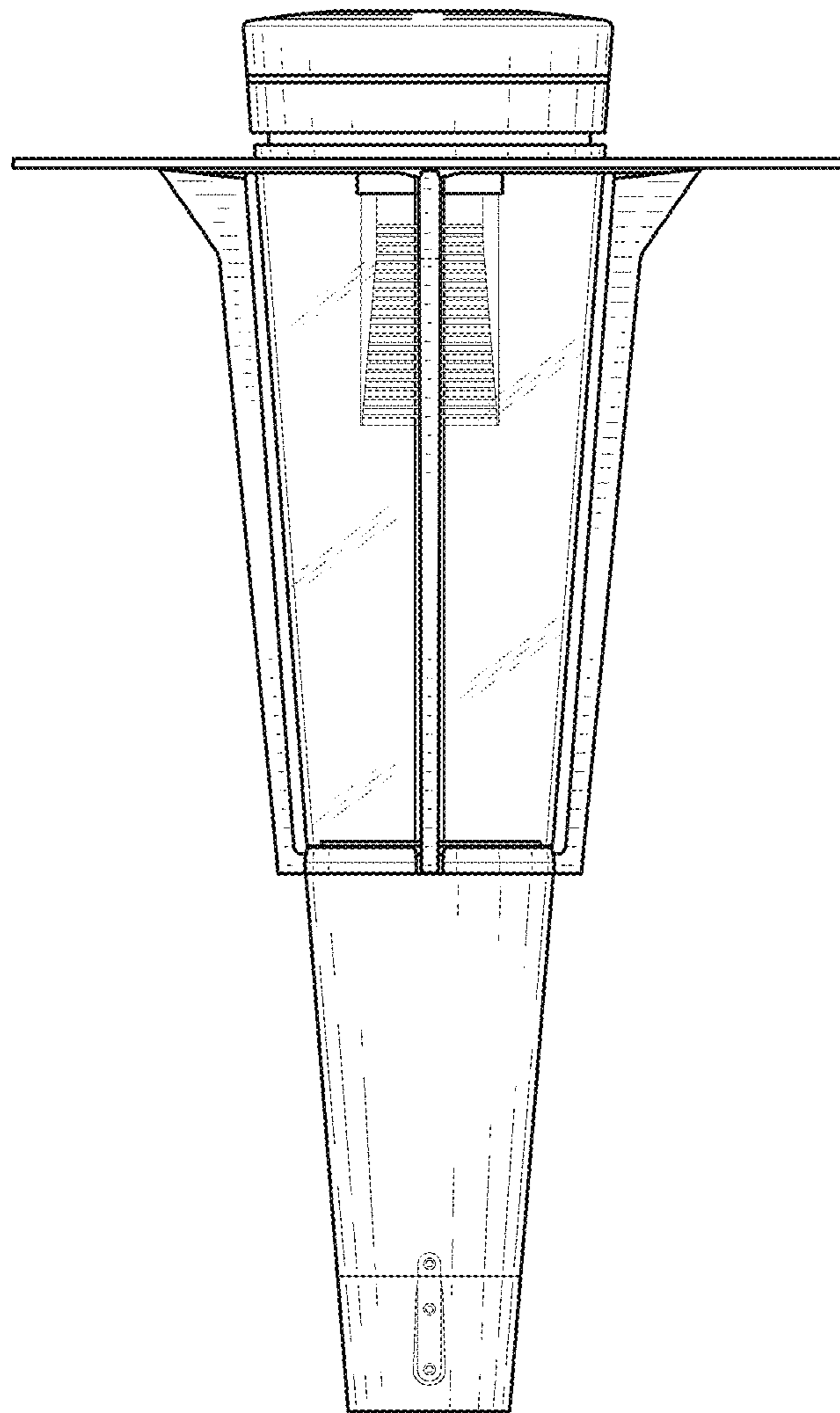


FIG.6

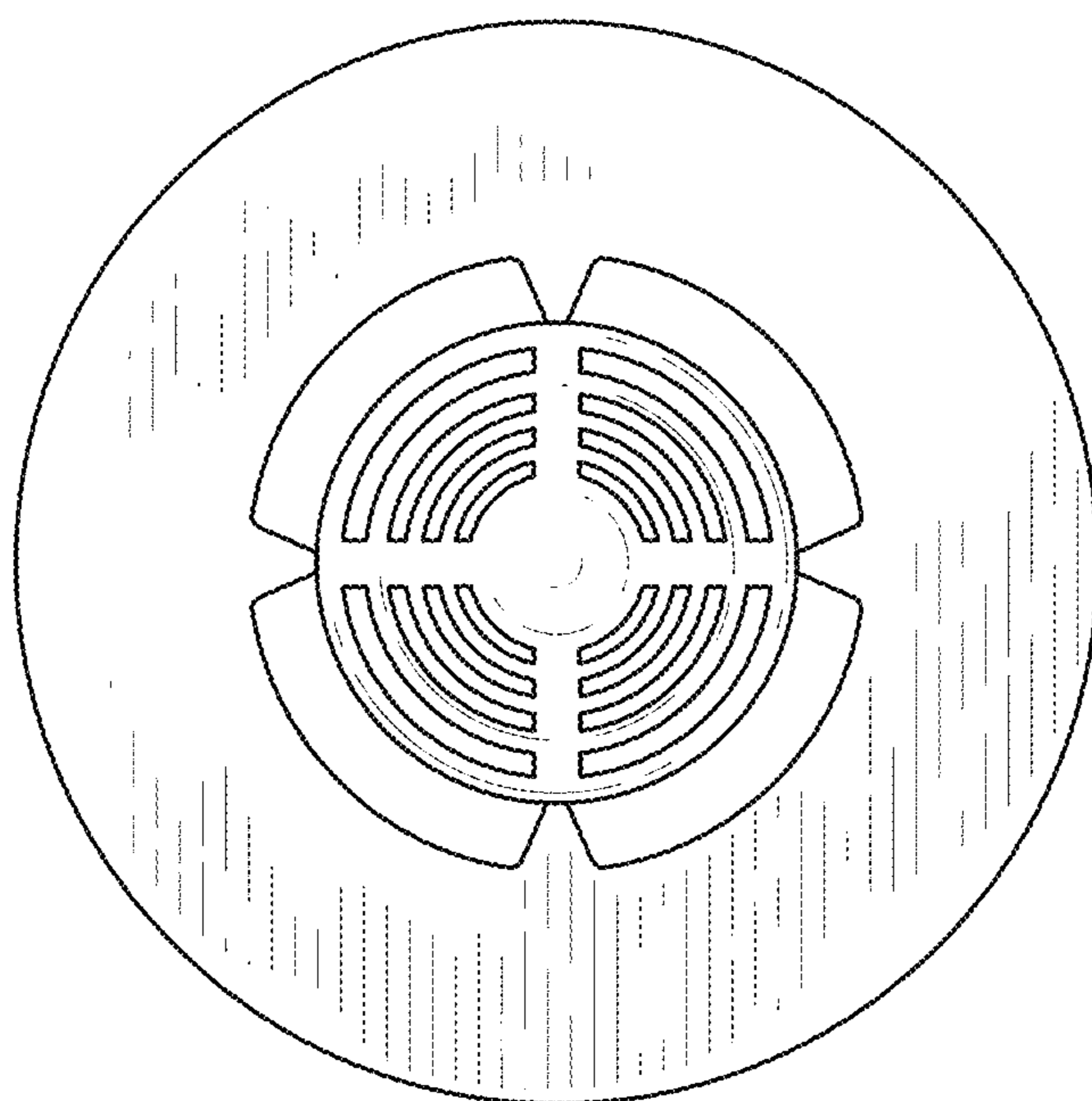


FIG. 7

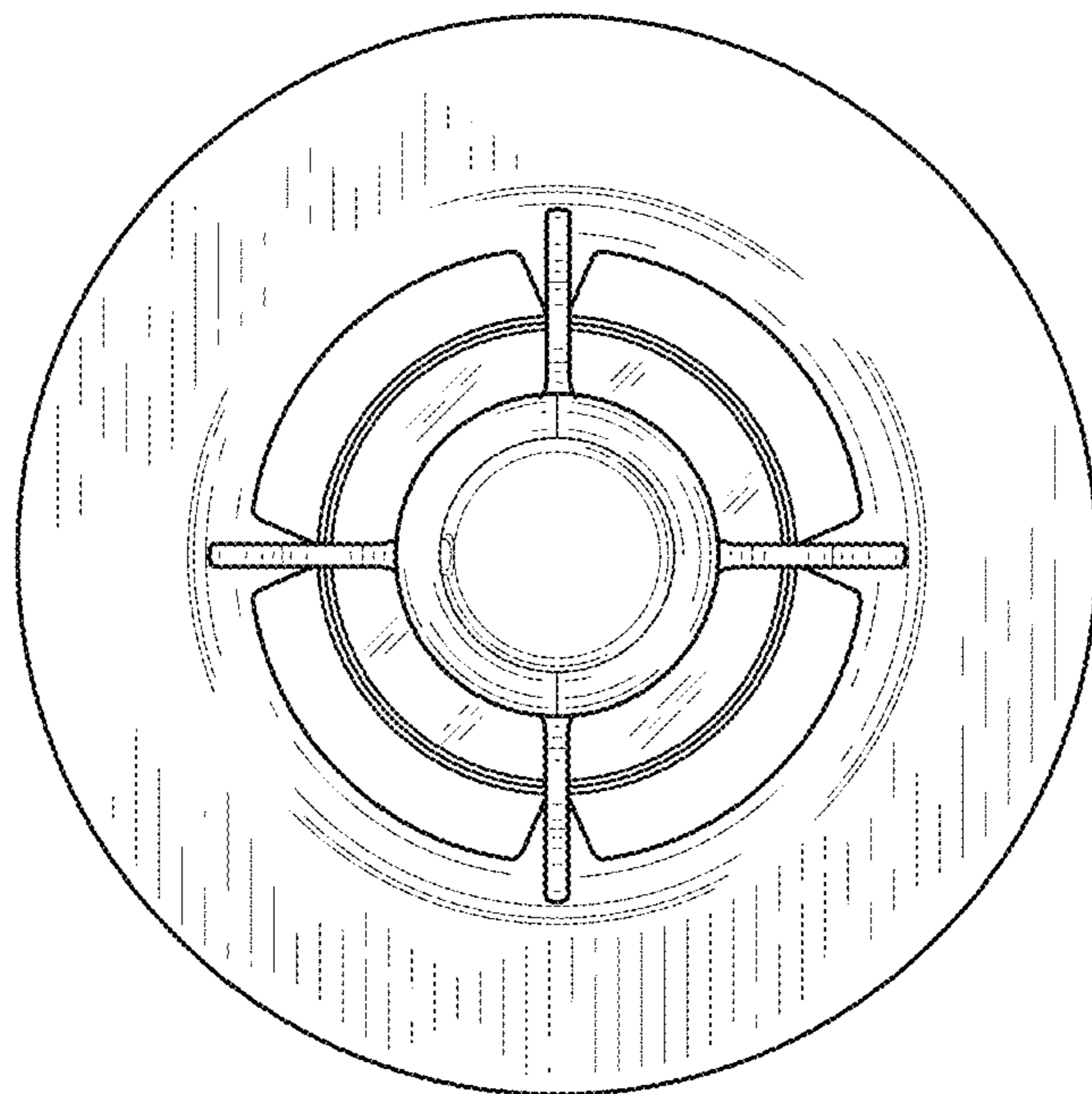


FIG. 8