



US00D809692S

(12) **United States Design Patent**
Tsao

(10) **Patent No.:** **US D809,692 S**

(45) **Date of Patent:** **** Feb. 6, 2018**

(54) **BICYCLE LAMP**

(71) Applicant: **Jung-Chou Tsao**, Chang Hua County (TW)

(72) Inventor: **Jung-Chou Tsao**, Chang Hua County (TW)

(**) Term: **15 Years**

(21) Appl. No.: **29/573,879**

(22) Filed: **Aug. 10, 2016**

(51) **LOC (11) Cl.** **26-03**

(52) **U.S. Cl.**
USPC **D26/60**

(58) **Field of Classification Search**
USPC D26/28, 60-63
CPC B62J 6/001; B62J 6/02; B62J 6/003; F21S 4/00; F21V 21/00
See application file for complete search history.

(56) **References Cited**

U.S. PATENT DOCUMENTS

D569,023 S * 5/2008 Lee D26/60
D608,483 S * 1/2010 Lee D26/60

D609,378 S * 2/2010 Lee D26/60
D609,379 S * 2/2010 Lee D26/60
D733,948 S * 7/2015 Liao D26/60
D735,381 S * 7/2015 Lee D26/60

* cited by examiner

Primary Examiner — Brian N. Vinson

(74) *Attorney, Agent, or Firm* — WPAT, PC

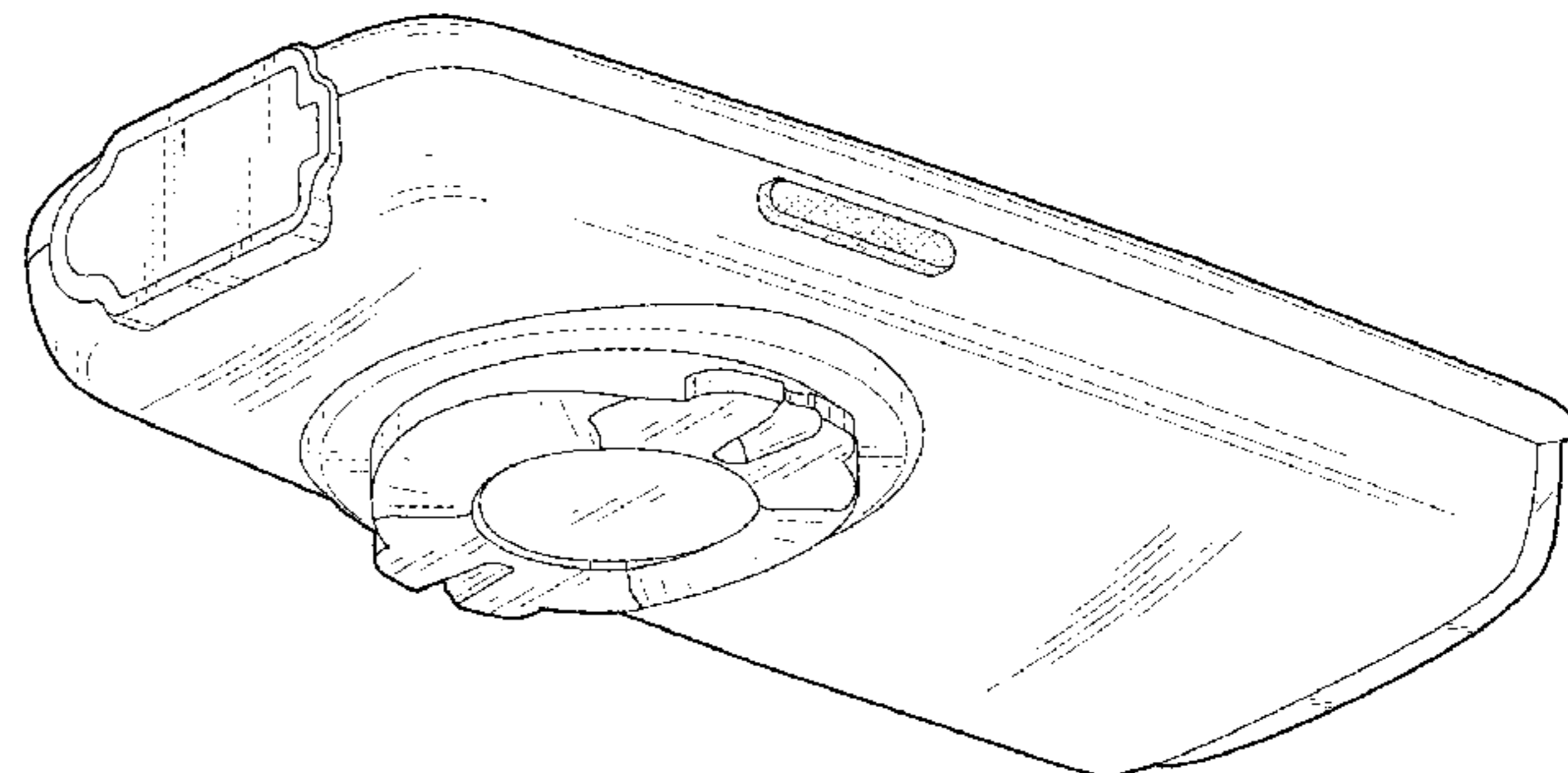
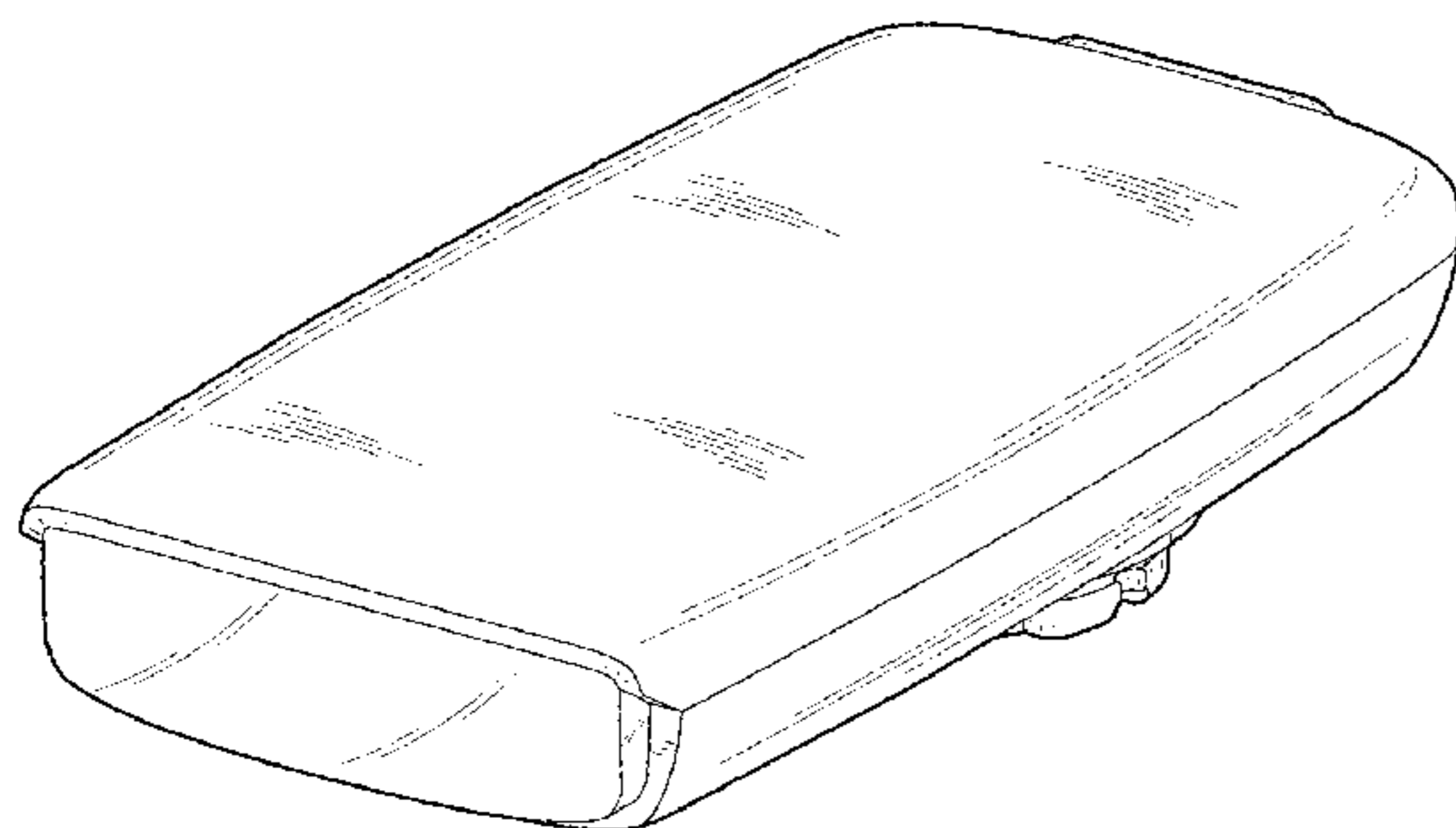
(57) **CLAIM**

The ornamental design for a “bicycle lamp,” as shown and described.

DESCRIPTION

FIG. 1 is a perspective view of a bicycle lamp showing our new design thereof;
FIG. 2 is a front elevational view thereof;
FIG. 3 is a rear elevational view thereof;
FIG. 4 is a left side elevational view thereof;
FIG. 5 is a right side elevational view thereof;
FIG. 6 is a top plan view thereof;
FIG. 7 is a bottom plan view; and,
FIG. 8 is another perspective view thereof.

1 Claim, 7 Drawing Sheets



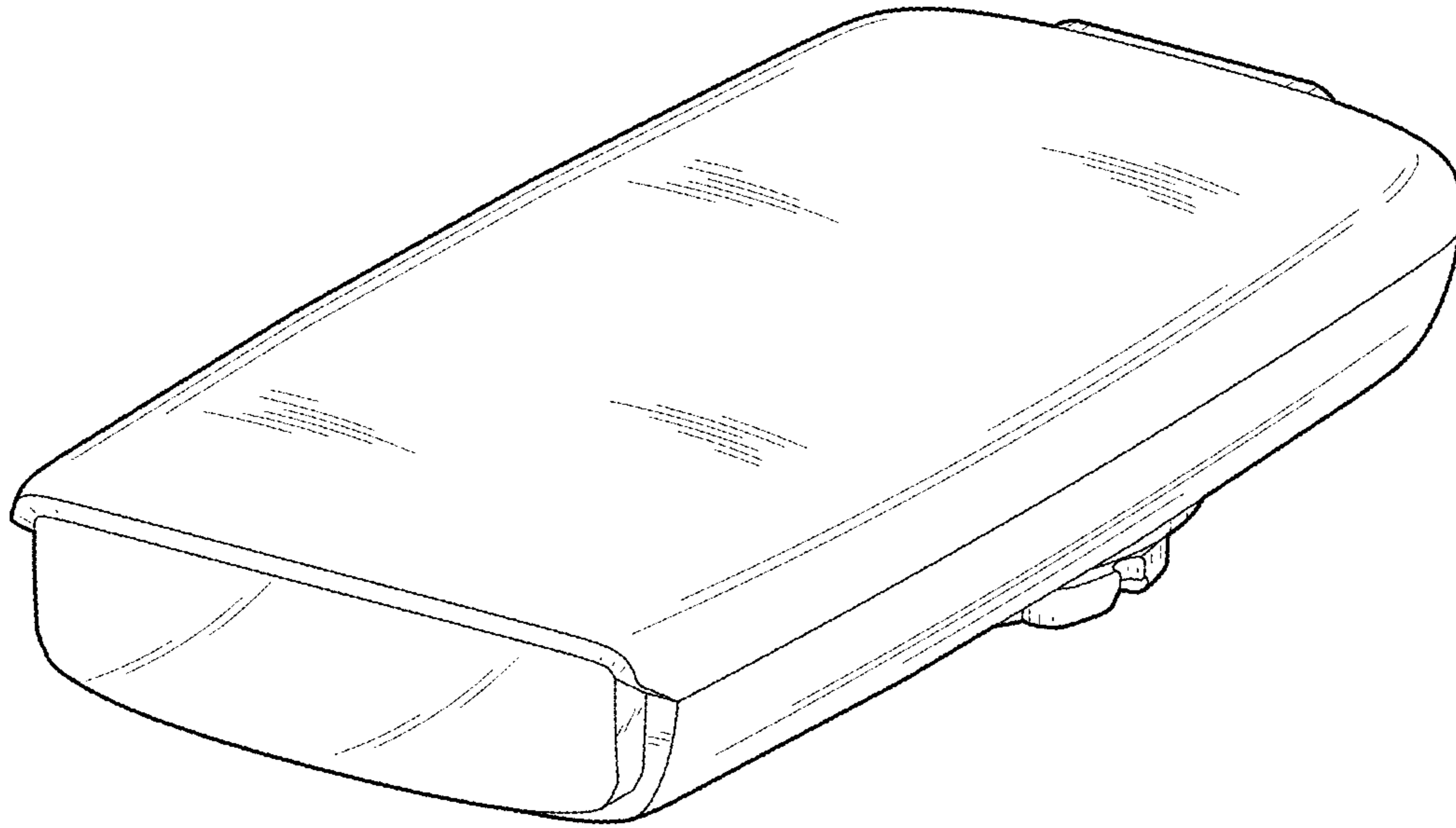


FIG. 1

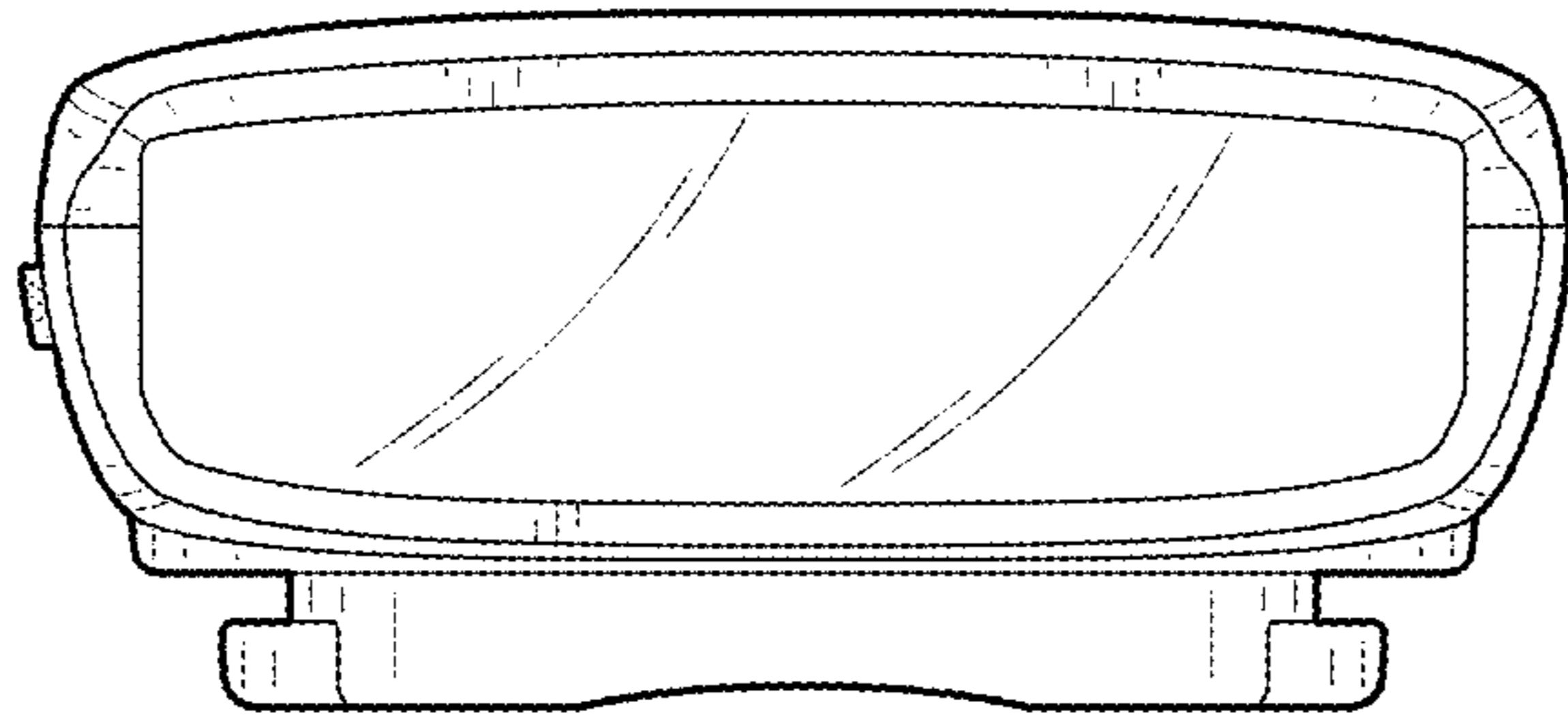


FIG. 2

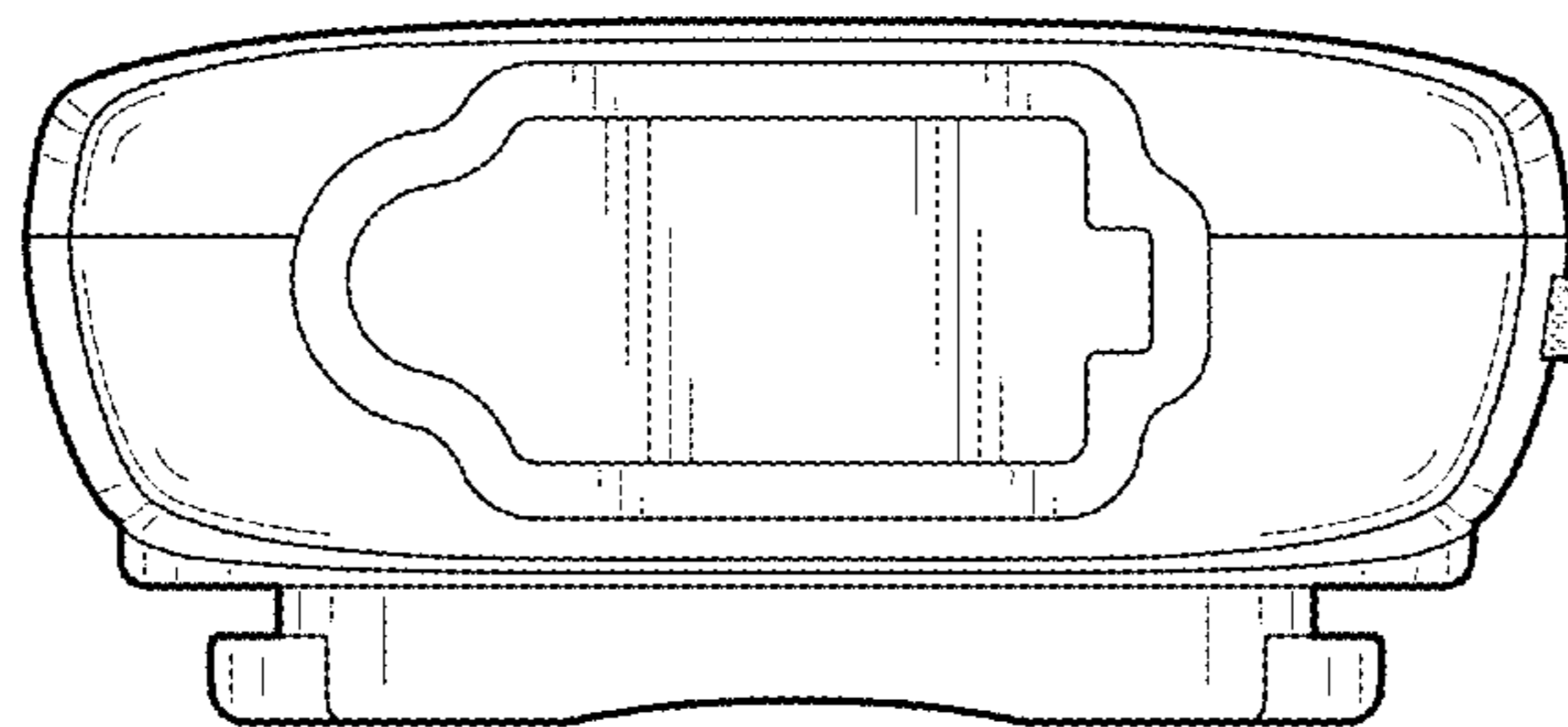


FIG. 3

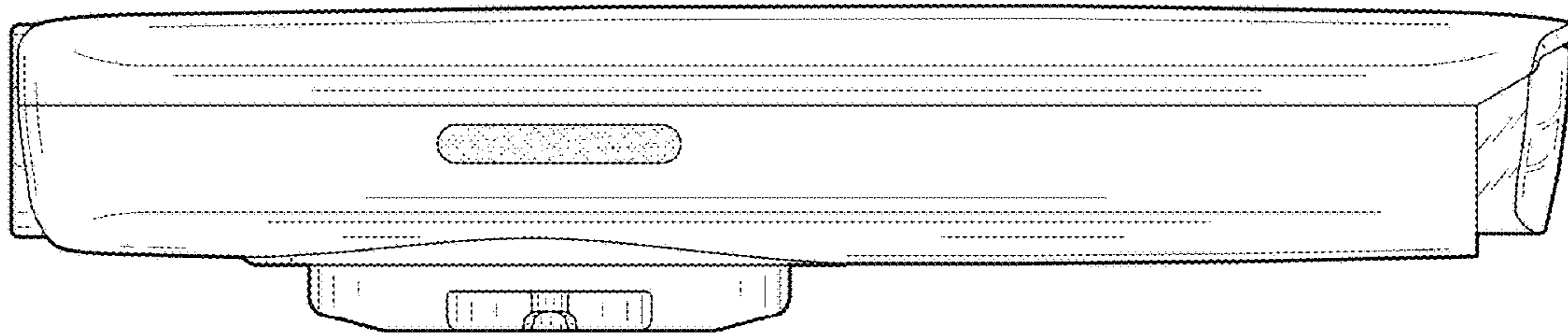


FIG. 4

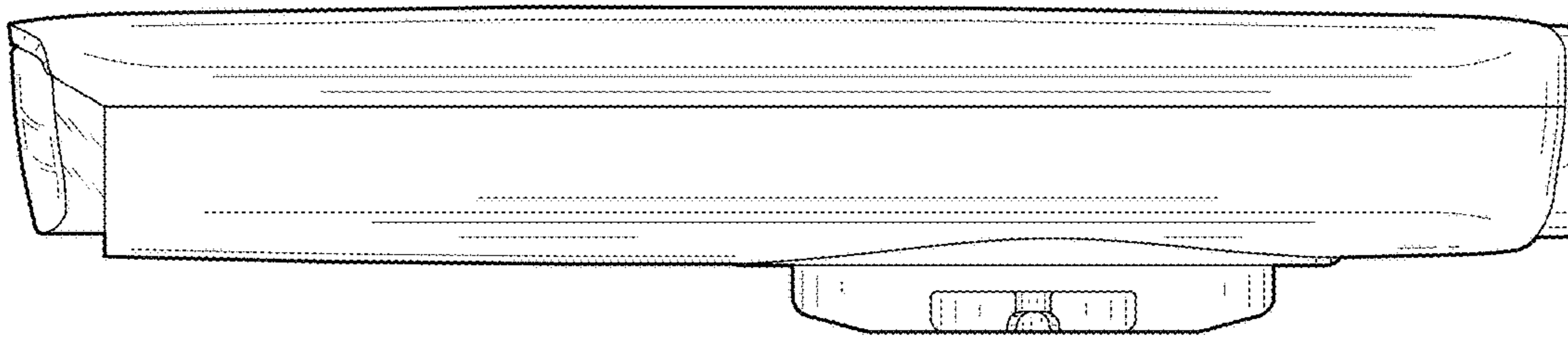


FIG. 5

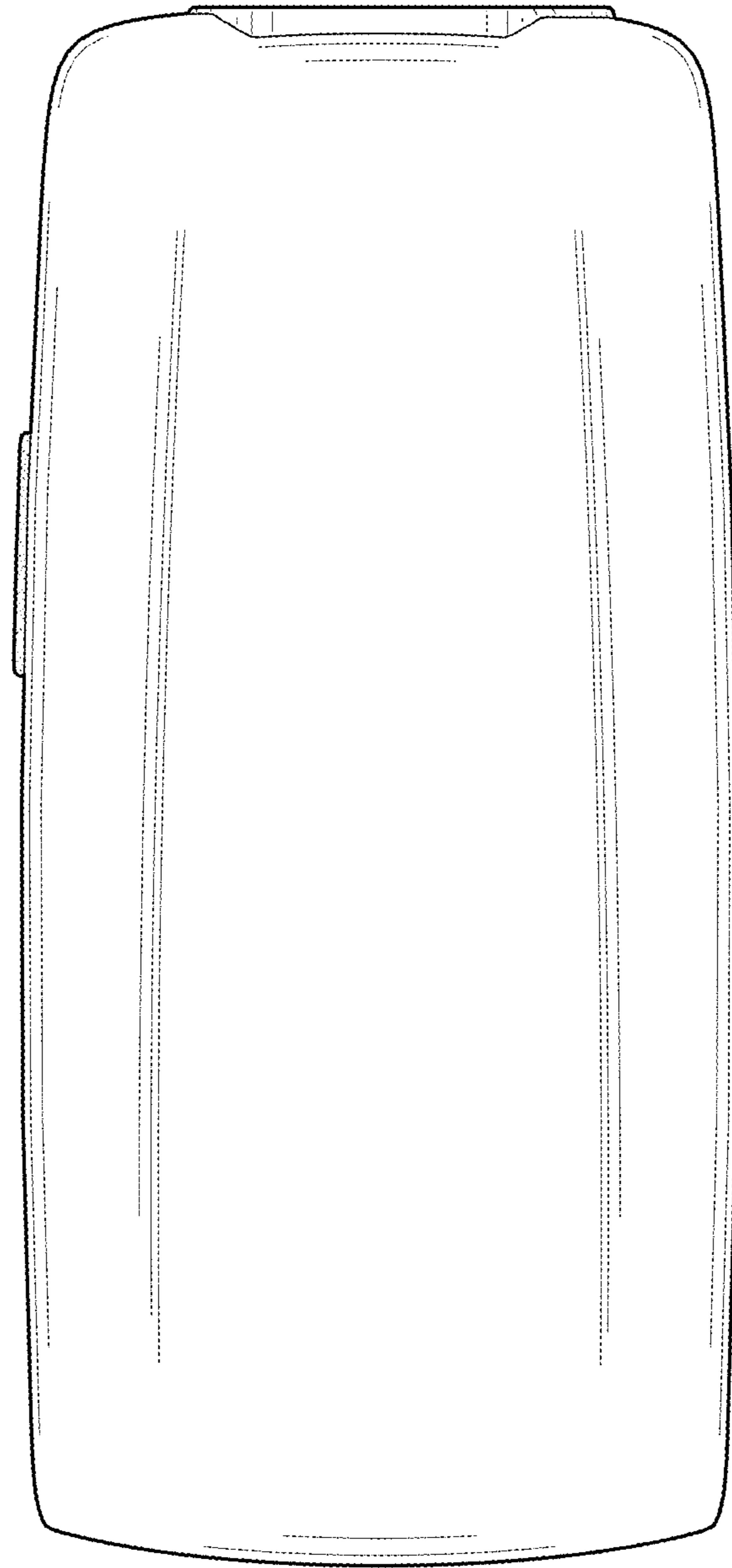


FIG. 6

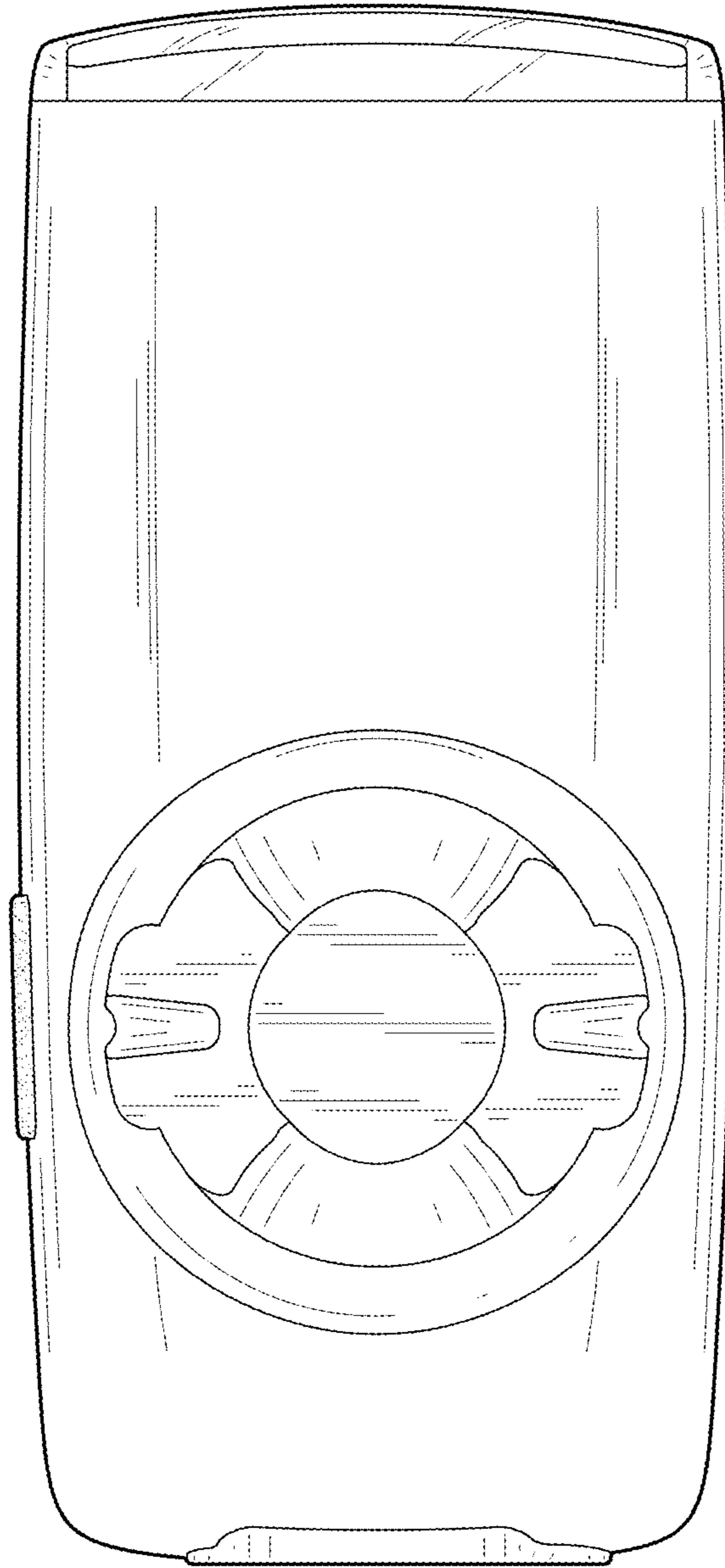


FIG. 7

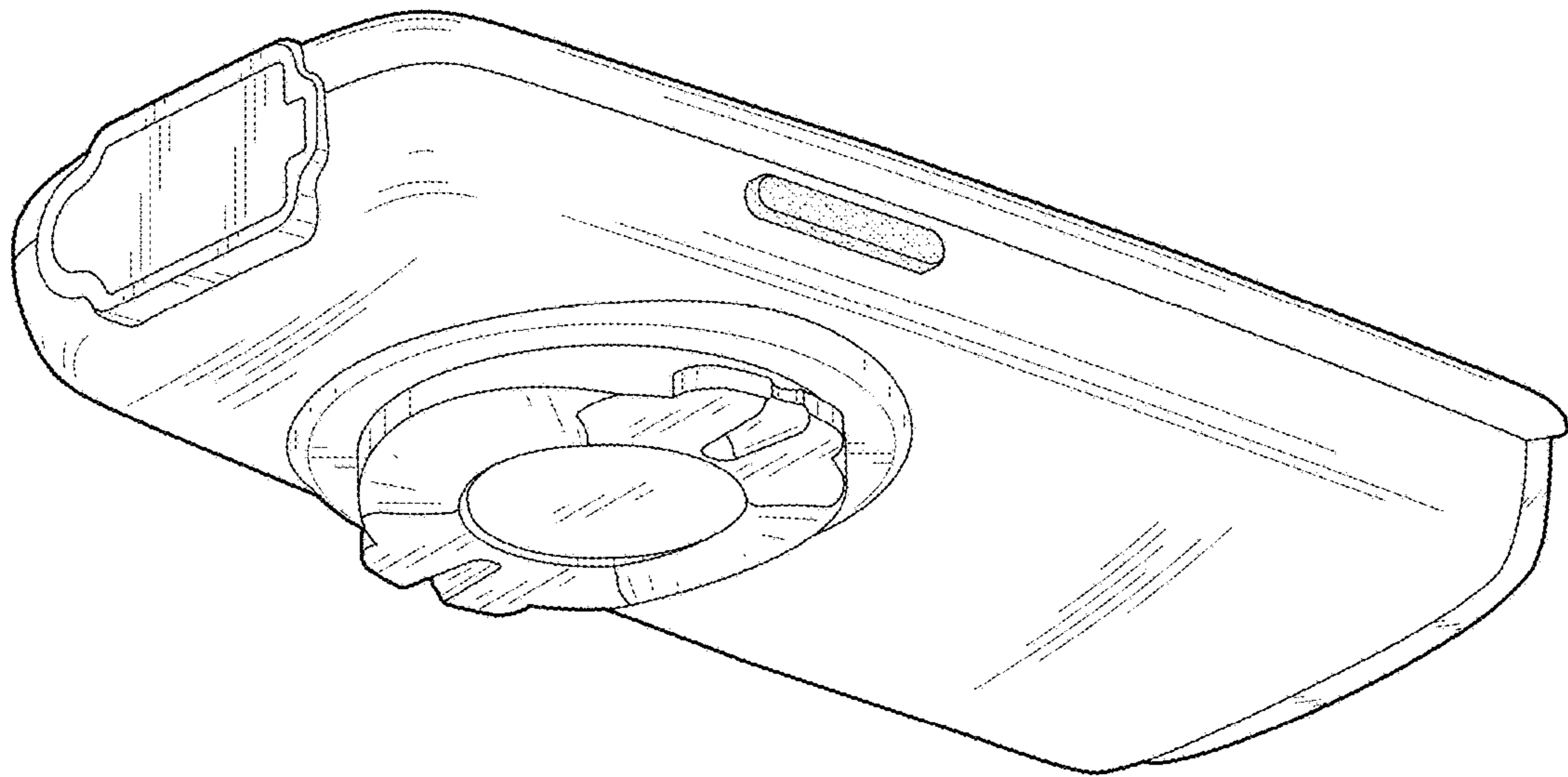


FIG. 8