



US00D809691S

(12) **United States Design Patent** (10) **Patent No.:** **US D809,691 S**
Wang (45) **Date of Patent:** **** Feb. 6, 2018**

- (54) **CEILING FAN HOUSING WITH LIGHT**
- (71) Applicant: **YOUNGO LIMITED**, Hong Kong (CN)
- (72) Inventor: **Cliff Wang**, Taichung (TW)
- (73) Assignee: **Youngo Limited**, Central (HK)
- (**) Term: **15 Years**
- (21) Appl. No.: **29/569,337**
- (22) Filed: **Jun. 27, 2016**
- (51) **LOC (11) Cl.** **26-05**
- (52) **U.S. Cl.**
USPC **D26/59**; D26/89
- (58) **Field of Classification Search**
USPC D23/377, 379, 385, 411, 413; D26/51, D26/59, 67, 72, 85, 88-90, 113, 118, 120, D26/124, 138
CPC F04D 25/088; F21V 33/0096
See application file for complete search history.

- D581,513 S * 11/2008 Pickett D23/411
- D599,003 S * 8/2009 Hidalgo D23/411
- D634,053 S * 3/2011 Guercio D26/89
- D690,410 S * 9/2013 Passauer, III D23/411
- D705,970 S * 5/2014 Ertze D26/59
- D743,527 S * 11/2015 Wang D23/411
- D744,633 S * 12/2015 Wang D23/411
- D756,503 S * 5/2016 Wang D23/411
- D771,230 S * 11/2016 Jones D23/377

(Continued)

OTHER PUBLICATIONS

Craftmade Montreal, date first available Feb. 26, 2013, site visited Oct. 25, 2017, Copyright © 1996-2017, <https://www.amazon.com/Craftmade-Montreal-MN44SS4-Ceiling-Stainless/dp/B00EP8TR7U/ref=sr_1_1_sspa?ie=UTF8&qid=15089644658&sr=8-1-spons&keywords=craftmade+montreal&psc=1>.*

(Continued)

Primary Examiner — Cathron C Brooks
Assistant Examiner — Sharon S Oum
(74) *Attorney, Agent, or Firm* — Muncy, Geissler, Olds & Lowe, P.C.x

(56) **References Cited**

U.S. PATENT DOCUMENTS

- 5,151,011 A * 9/1992 Rezek F04D 25/088 416/5
- D346,439 S * 4/1994 Liu D23/377
- D346,858 S * 5/1994 Lee D23/377
- D389,941 S * 1/1998 Markee D26/85
- D427,672 S * 7/2000 Lee D23/377
- D453,563 S * 2/2002 Bogazzi D23/377
- D476,408 S * 6/2003 Hidalgo D23/411
- D477,397 S * 7/2003 Chen D23/411
- D478,974 S * 8/2003 Hidalgo D23/377
- D514,689 S * 2/2006 Gajewski D23/411
- D527,451 S * 8/2006 Glasbrenner D23/377
- D535,014 S * 1/2007 Pickett D23/411
- D549,315 S * 8/2007 Gajewski D23/377
- D553,731 S * 10/2007 Bucher D23/411
- D556,938 S * 12/2007 Russello D26/89
- D572,814 S * 7/2008 Bucher D23/377

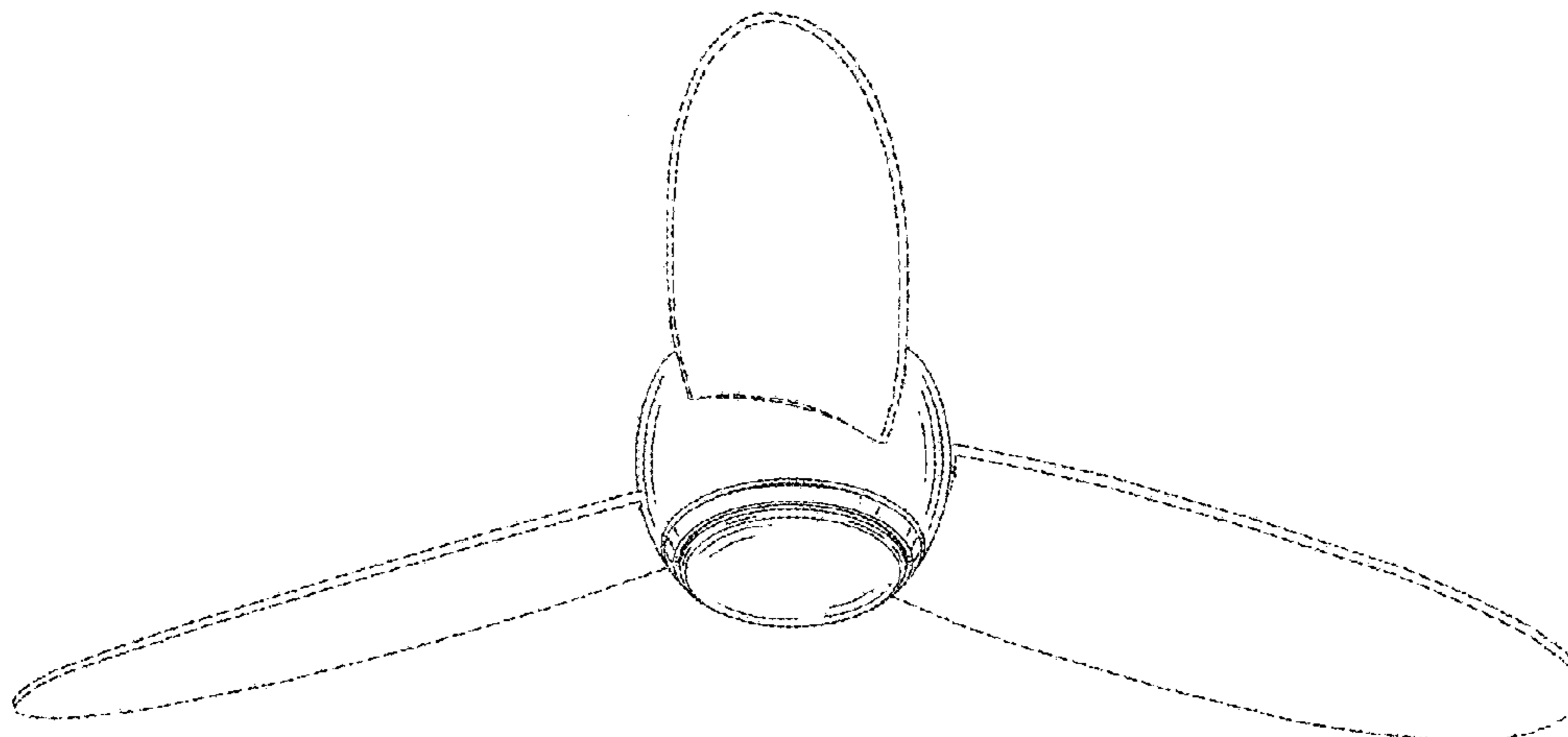
(57) **CLAIM**

The ornamental design for a ceiling fan housing with light, as shown and described.

DESCRIPTION

FIG. 1 is a perspective view of the present design; FIG. 2 is a front view of the present design; FIG. 3 is a rear view of the present design; FIG. 4 is a left side view of the present design; FIG. 5 is a right side view of the present design; FIG. 6 is a top view of the present design; and, FIG. 7 is a bottom view of the present design. The broken lines showing of portions of the ceiling fan housing with light form no part of the claimed design.

1 Claim, 7 Drawing Sheets



(56)

References Cited

U.S. PATENT DOCUMENTS

D783,145 S * 4/2017 Wang D23/411

OTHER PUBLICATIONS

Hunter Sonic 52 in. Indoor Brushed Nickel Ceiling Fan with Light Kit and Universal Remote, oldest date reviewed May 6, 2014, site visited Oct. 25, 2017, Copyright © 2000-2017, <<https://www.homedepot.com/p/Hunter-Sonic-52-in-Indoor-Brushed-Nickel-Ceiling-Fan-with-Light-Kit-and-Universal-Remote-59072/204788065>>.*

Quorum International 42523, date first available Jun. 13, 2012, site visited Oct. 25, 2017, Copyright © 1996-2017, <https://www.amazon.com/Quorum-International-Single-Indoor-Ceiling/dp/B008XVJA90/ref=sr_1_1_sspa?s=hi&ie=UTF8&qid=1508965481&sr=1-1-spons&keywords=quorum+international+42523&psc=1>.*

Minka-Aire F844-SL, Light Wave, 52" Ceiling Fan, Silver, date first available Jan. 29, 2014, site visited Oct. 25, 2017, Copyright © 1996-2017, <https://www.amazon.com/Minka-Aire-F844-SL-Light-Ceiling-Silver/dp/B00I498MHC/ref=sr_1_1_sspa?s=hi&ie=UTF8&qid=1508965701&sr=1-1_spons&keywords=minka+aire+light+wave&psc=1&smid=A>.*

* cited by examiner

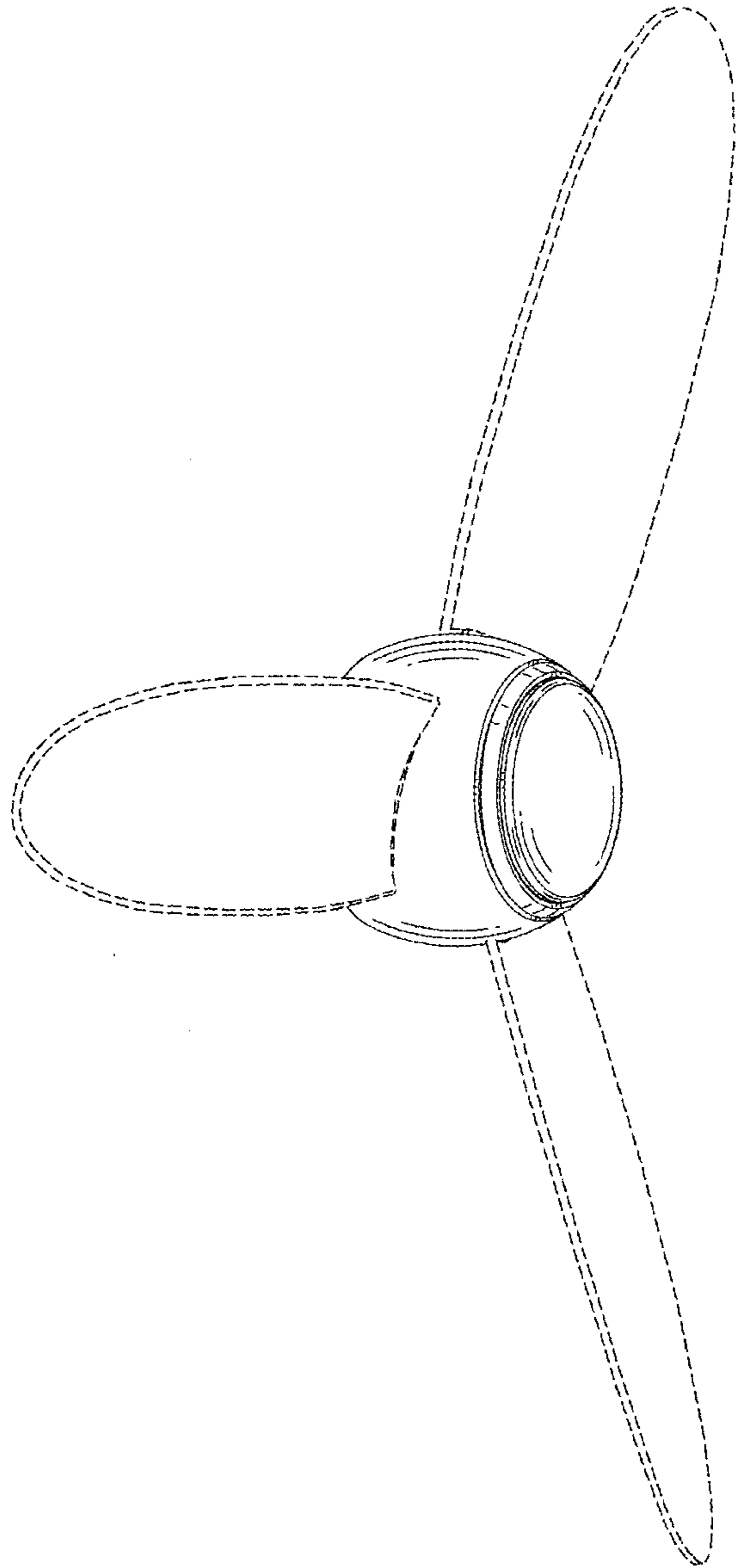


FIG. 1

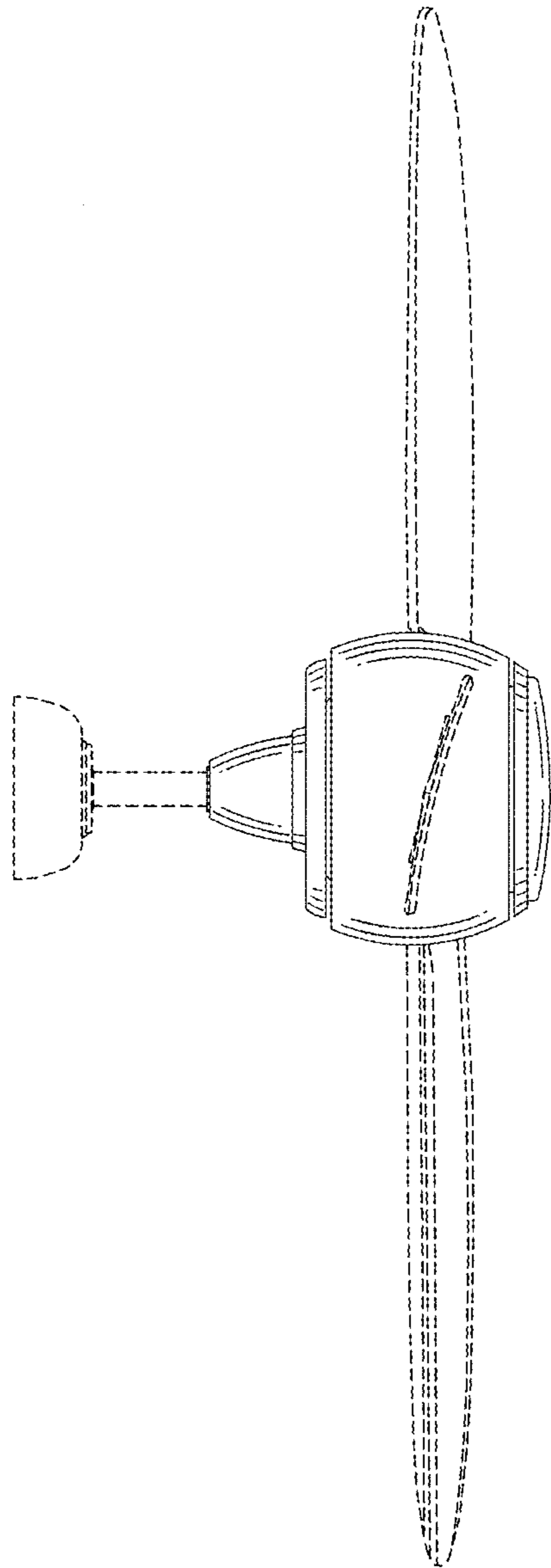


FIG. 2

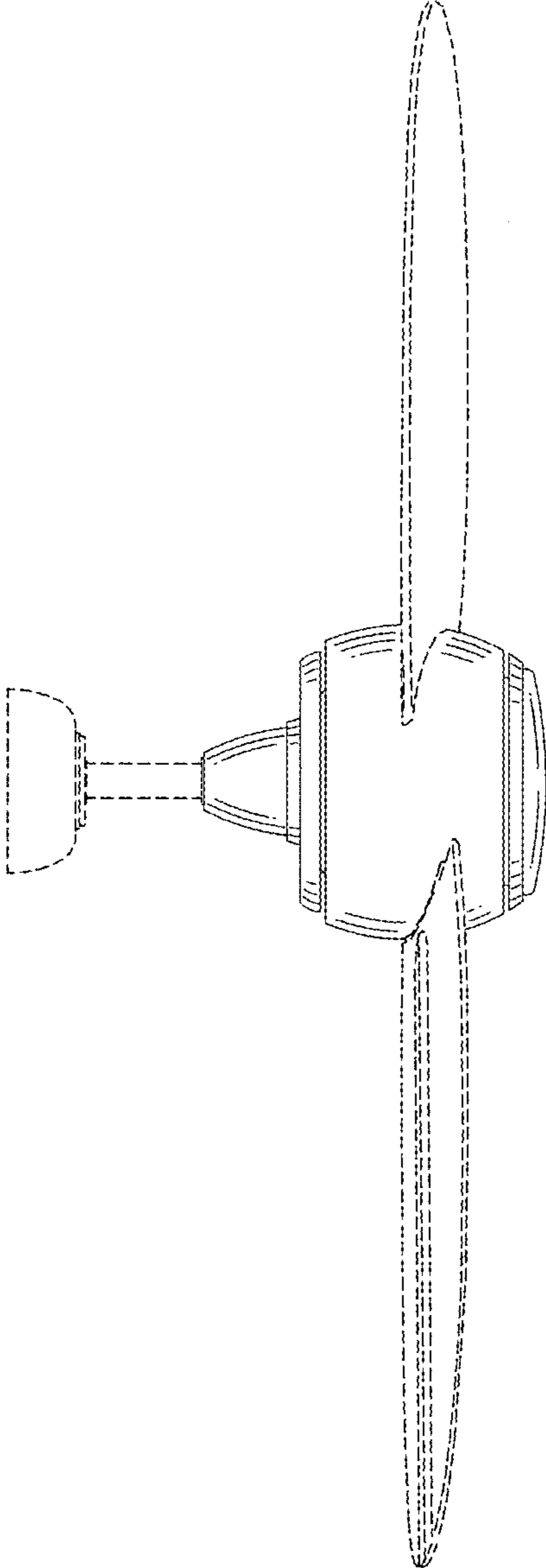


FIG. 3

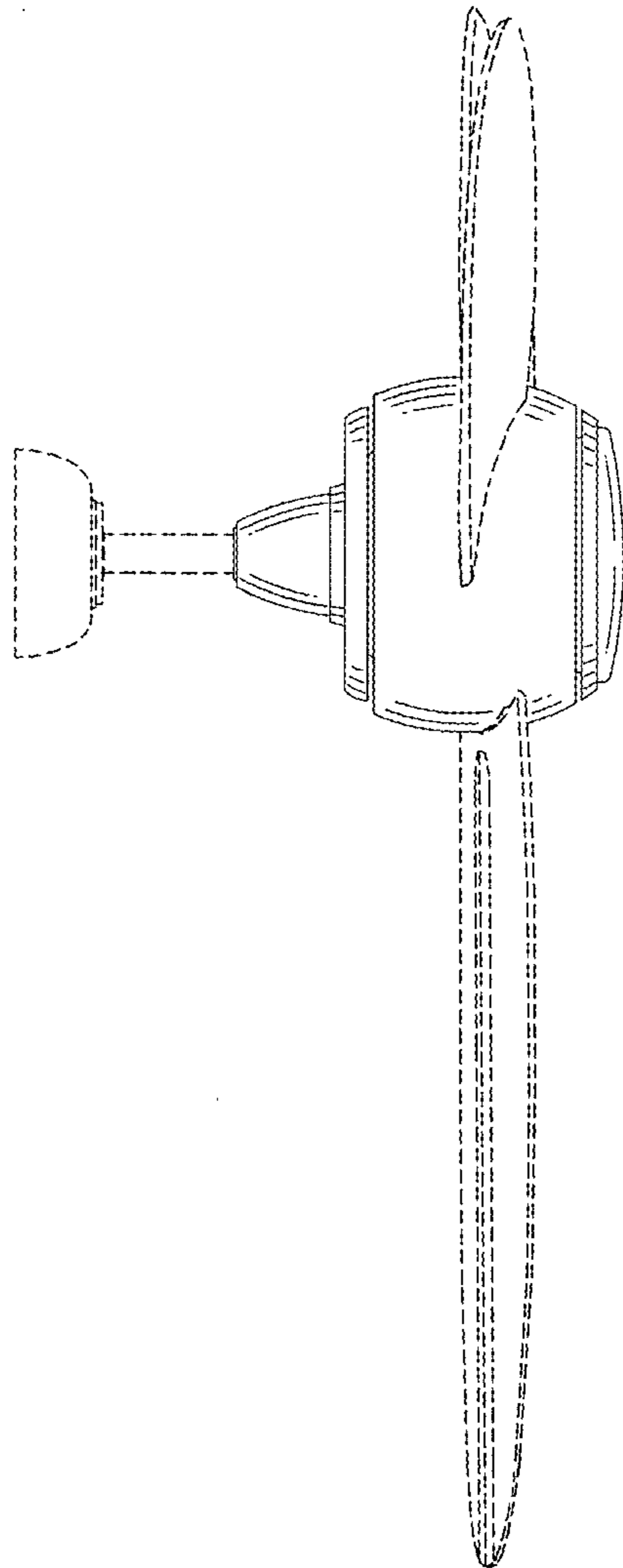


FIG. 4

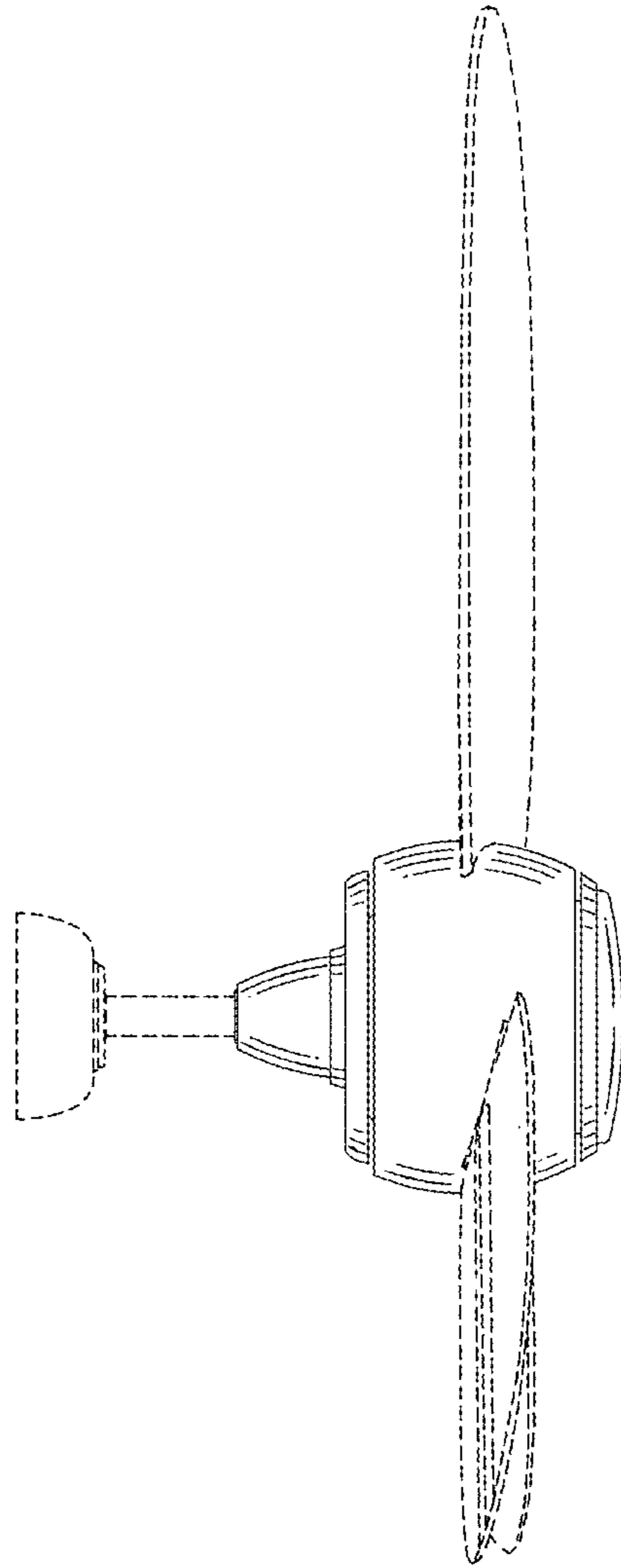


FIG. 5

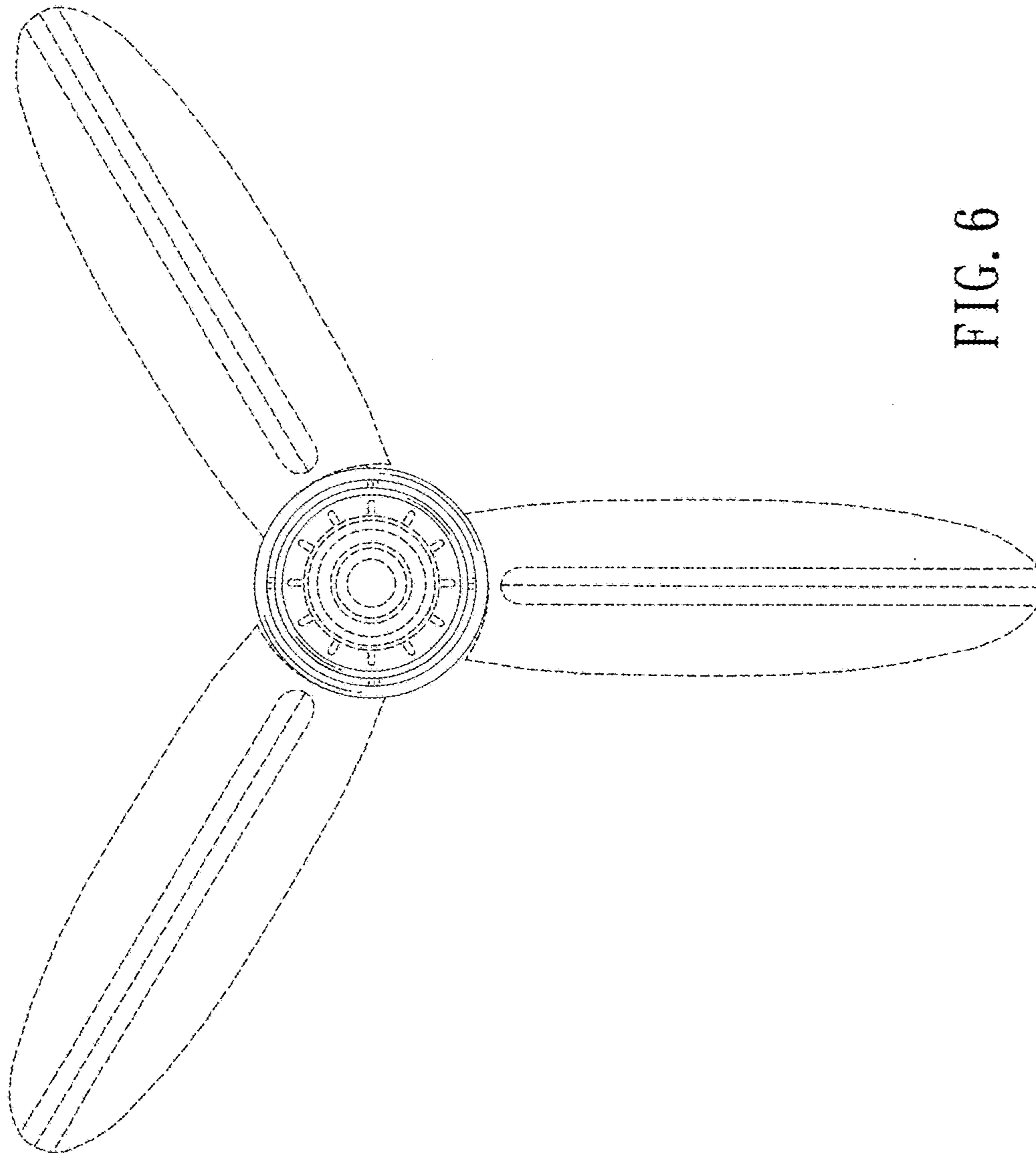


FIG. 6

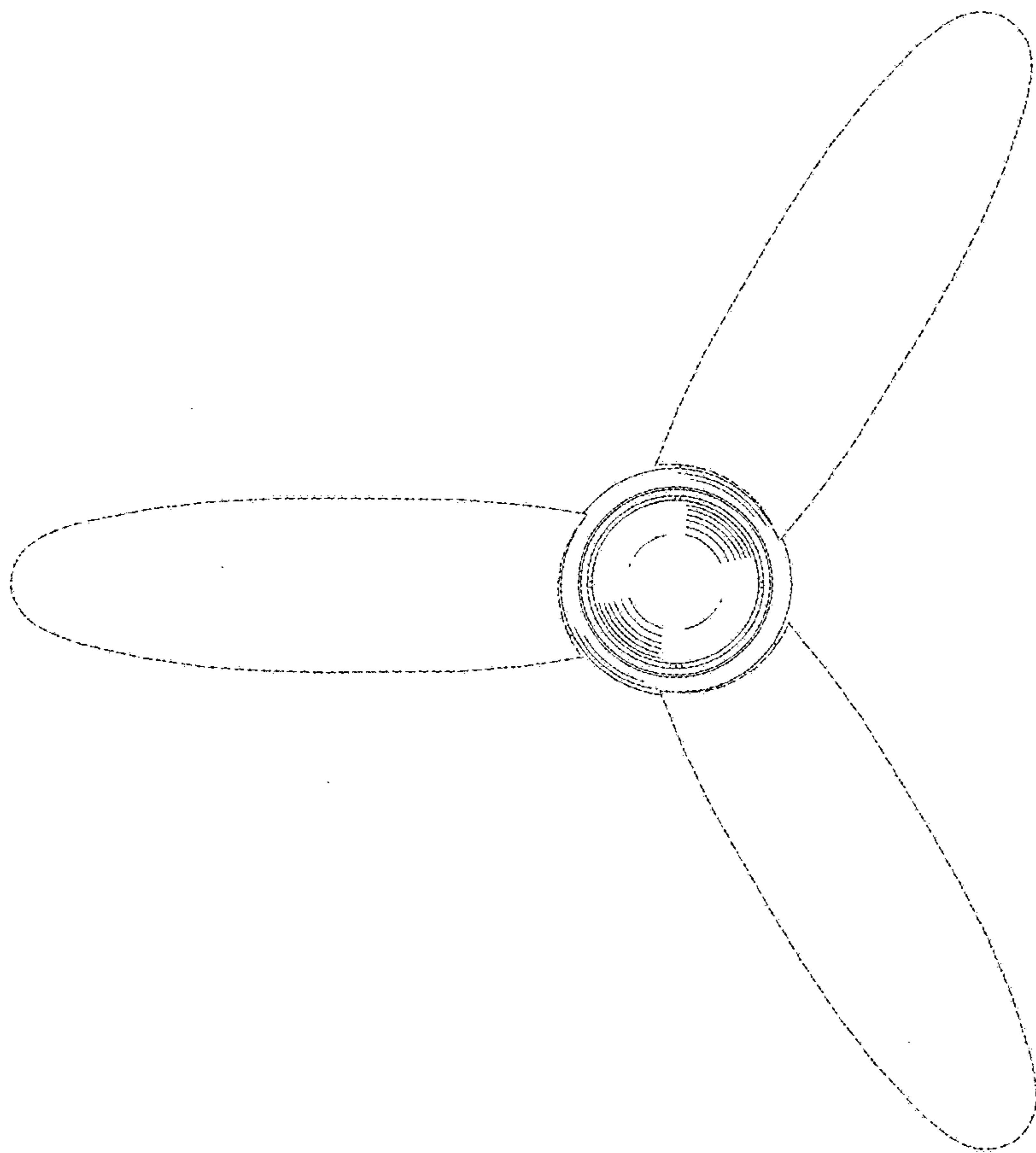


FIG. 7