



US00D809690S

(12) **United States Design Patent**
Marshall

(10) **Patent No.:** **US D809,690 S**

(45) **Date of Patent:** **** Feb. 6, 2018**

(54) **LANTERN**

(71) Applicant: **Nite Ize, Inc.**, Boulder, CO (US)

(72) Inventor: **Byron Marshall**, Overland Park, KS (US)

(73) Assignee: **Nite Ize, Inc.**, Boulder, CO (US)

(**) Term: **15 Years**

(21) Appl. No.: **29/555,903**

(22) Filed: **Feb. 25, 2016**

(51) **LOC (11) Cl.** **26-02**

(52) **U.S. Cl.**
USPC **D26/41**

(58) **Field of Classification Search**
USPC D26/37, 38, 40, 41, 42, 46, 50, 51
CPC ... F21L 4/025; F21L 4/027; F21L 4/04; F21L 4/08; F21L 2005/00; F21L 7/00; F21L 11/00; F21L 13/00; F21L 13/04; F21L 13/08; F21L 14/02; F21L 17/00; F21L 19/00; F21L 25/00
See application file for complete search history.

(56) **References Cited**

U.S. PATENT DOCUMENTS

D529,647 S *	10/2006	Shiu	D26/40
D535,771 S *	1/2007	Shiu	D26/40
D537,967 S *	3/2007	Lo	D26/40
D548,864 S *	8/2007	Lee	D26/38
D569,536 S *	5/2008	Henderson	D26/37
D611,630 S *	3/2010	Chan	D26/40
D617,480 S *	6/2010	DeBrunner	D26/40

D650,104 S *	12/2011	Brands	D26/41
D705,467 S *	5/2014	Aglassinger	D26/41
D707,378 S *	6/2014	Shiu	D26/41
D718,480 S *	11/2014	Lee	D26/41
D725,300 S *	3/2015	Dalton	D26/40
D729,428 S *	5/2015	Shen	D26/41
D740,475 S *	10/2015	Pineau	D26/37
9,217,547 B2 *	12/2015	Sharrah	F21L 4/005
D747,523 S *	1/2016	Salmon	D26/40
D754,379 S *	4/2016	Green	D26/113
D773,704 S *	12/2016	Pardo	D26/41

* cited by examiner

Primary Examiner — Lakiya Rogers

Assistant Examiner — Carissa C Fitts

(74) *Attorney, Agent, or Firm* — Haynes and Boone, LLP

(57) **CLAIM**

The ornamental design for a lantern, as shown and described.

DESCRIPTION

FIG. 1 is a front perspective view of the lantern;
FIG. 2 is a back perspective view of the lantern of FIG. 1;
FIG. 3 is a front view of the lantern of FIG. 1;
FIG. 4 is a back view of the lantern of FIG. 1;
FIG. 5 is a right side view of the lantern of FIG. 1;
FIG. 6 is a left side view of the lantern of FIG. 1;
FIG. 7 is a top view of the lantern of FIG. 1; and,
FIG. 8 is a bottom view of the lantern of FIG. 1.

The broken lines in the drawings show portions of the article not claimed and form no part of the claimed design.

1 Claim, 7 Drawing Sheets

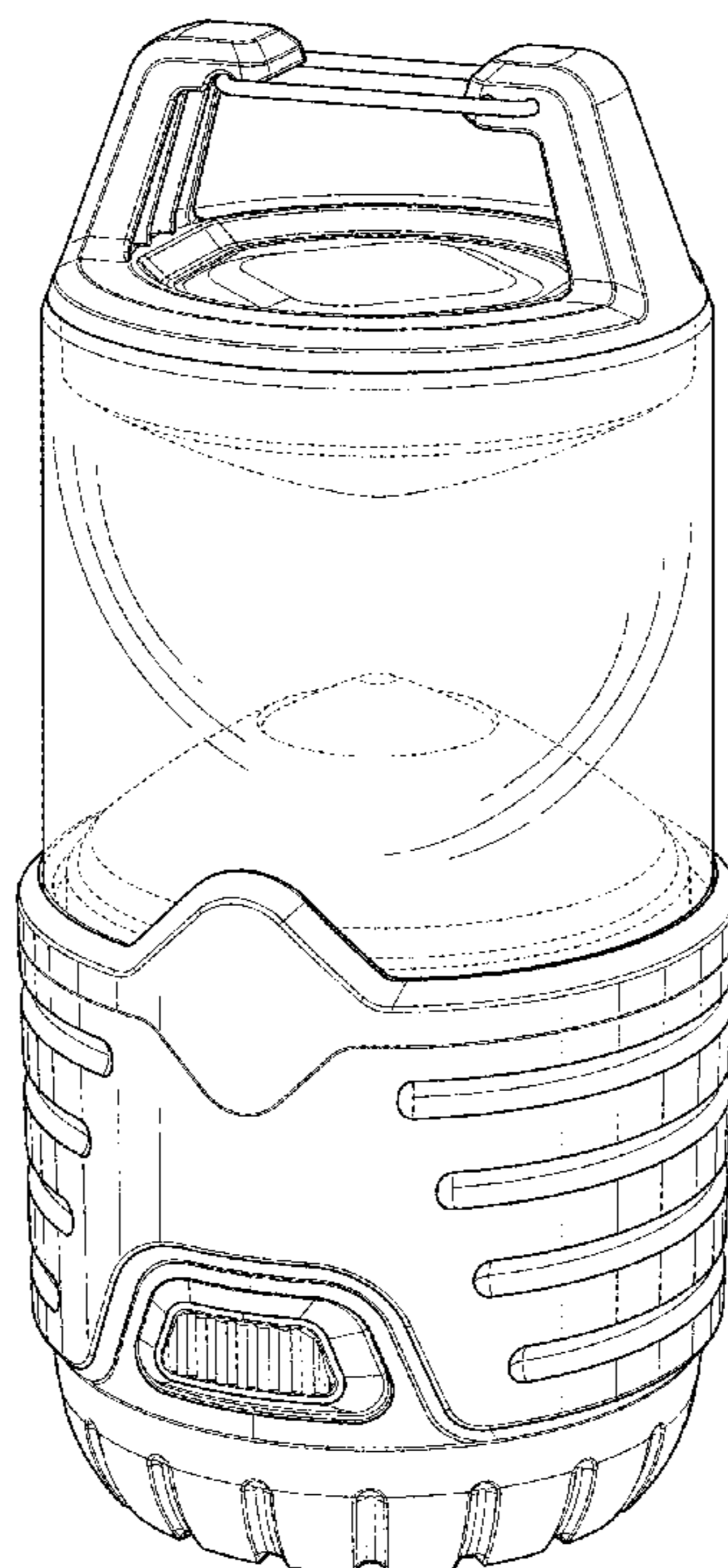


FIG. 1

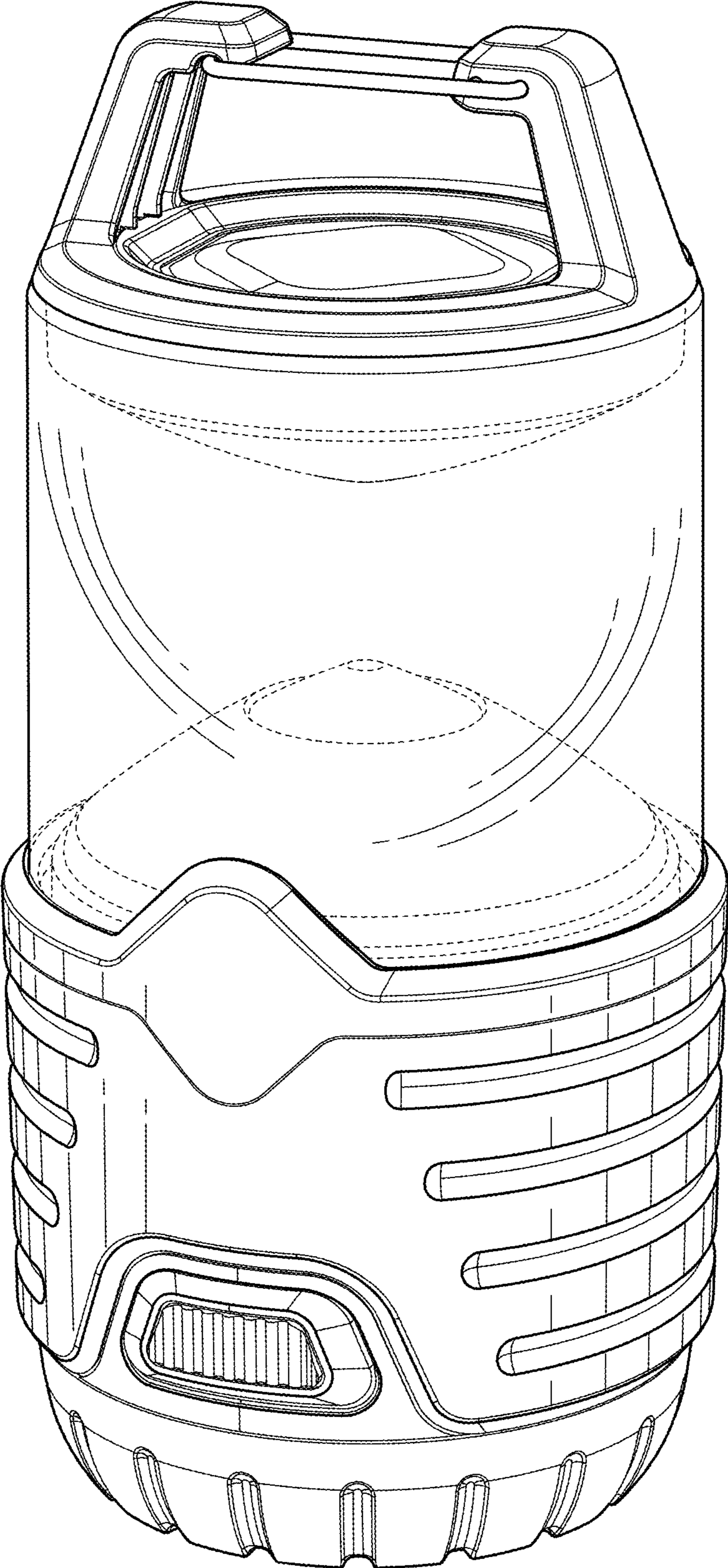


FIG. 2

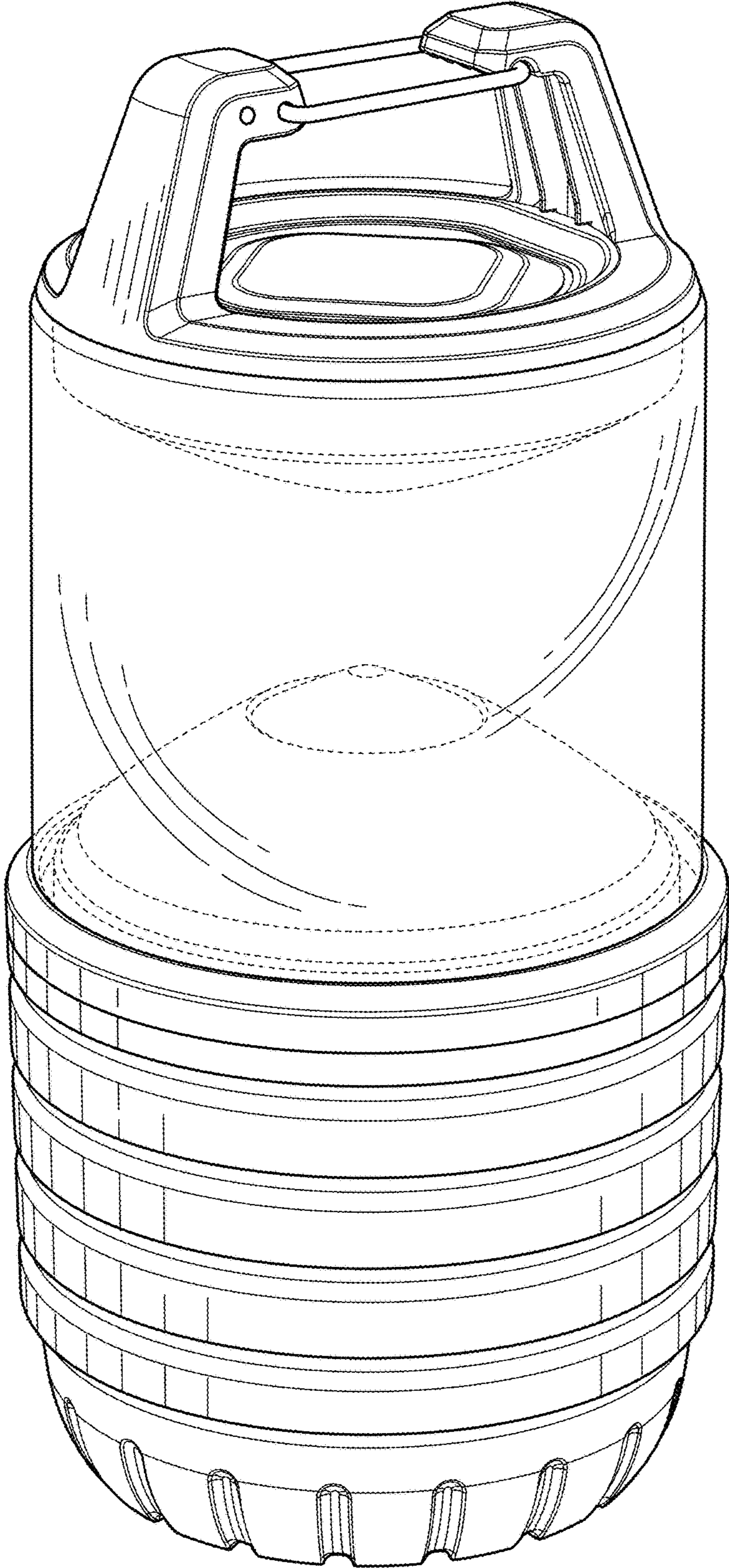


FIG. 3

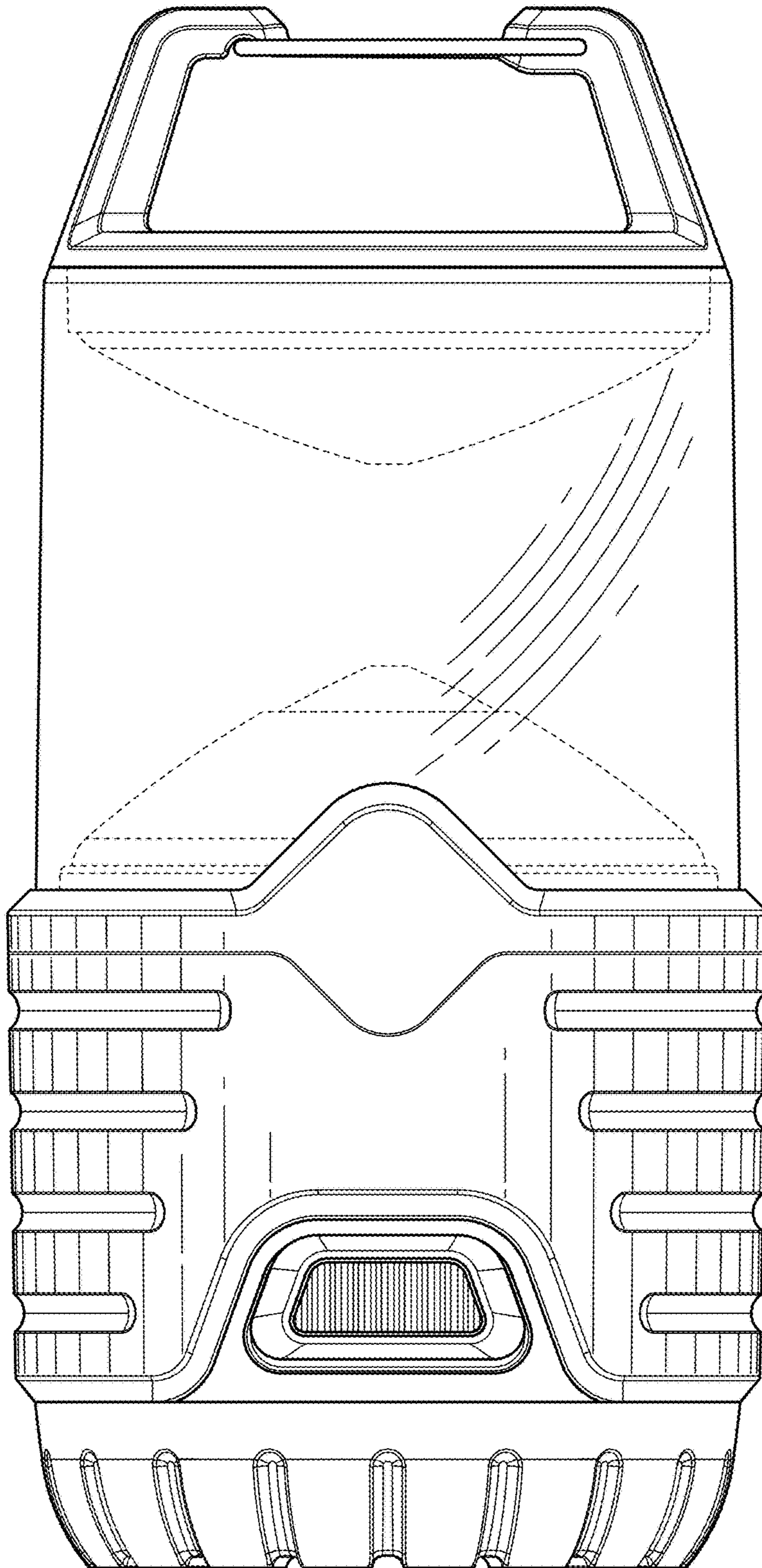


FIG. 4

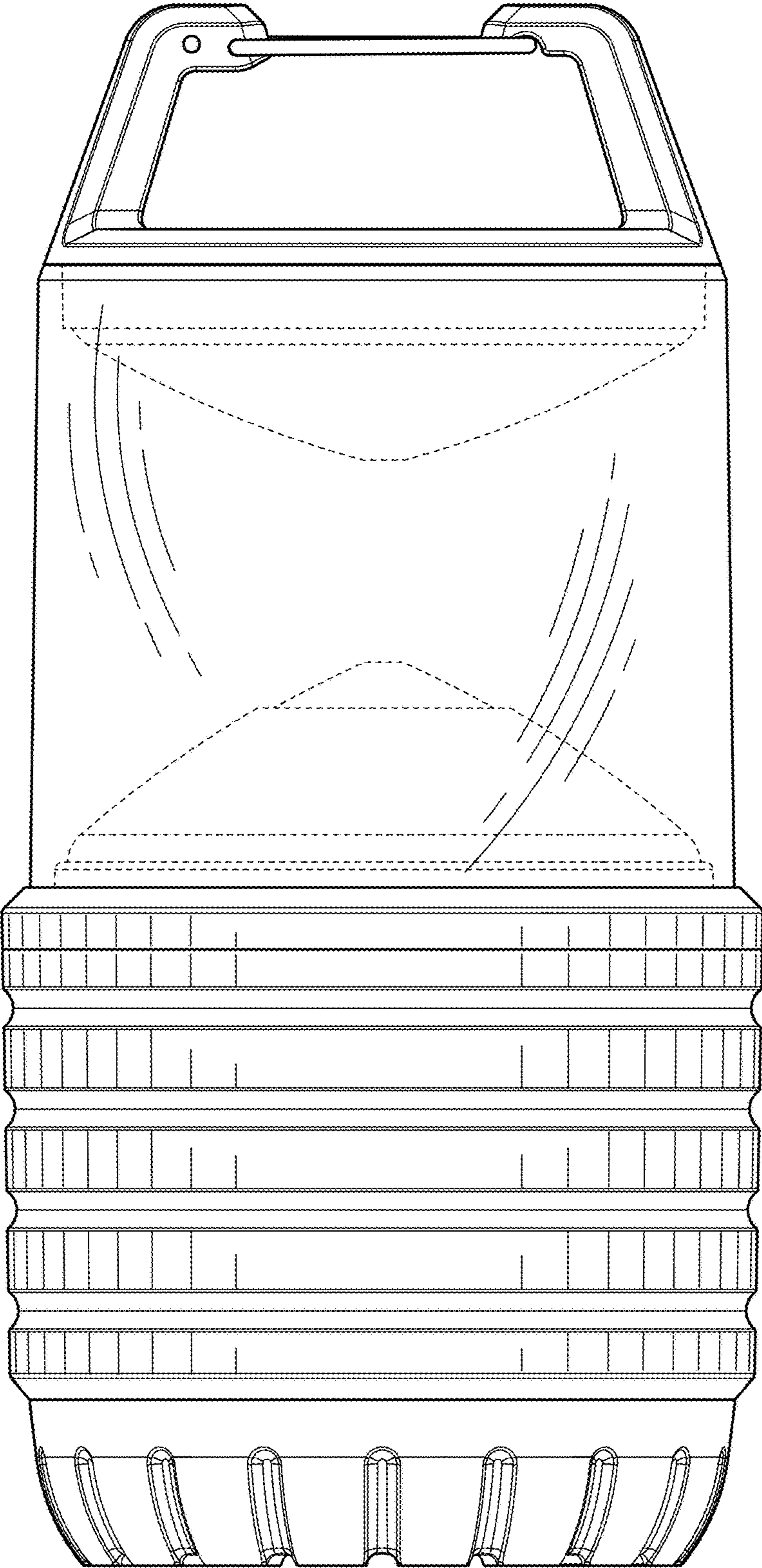


FIG. 5

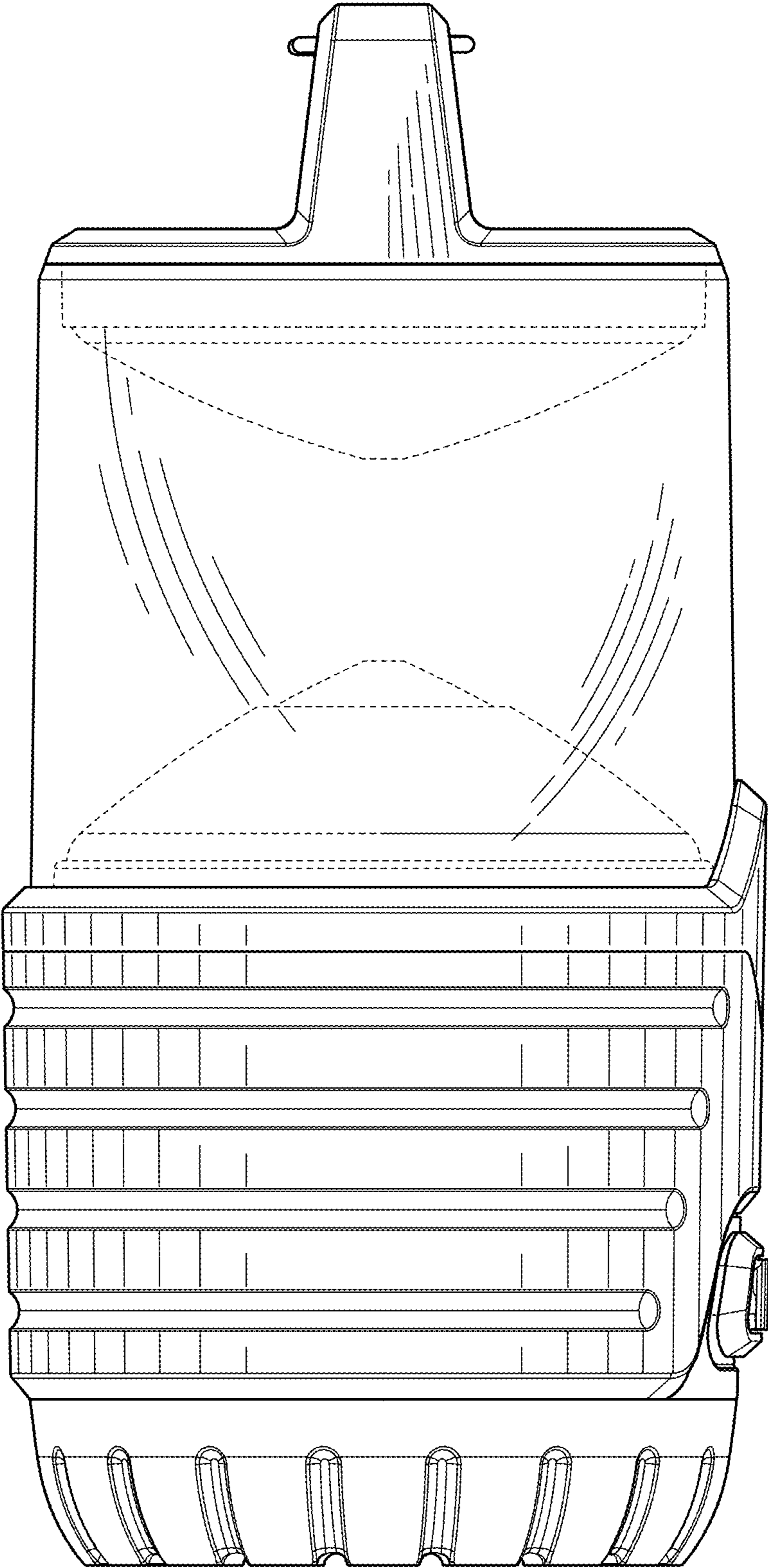


FIG. 6

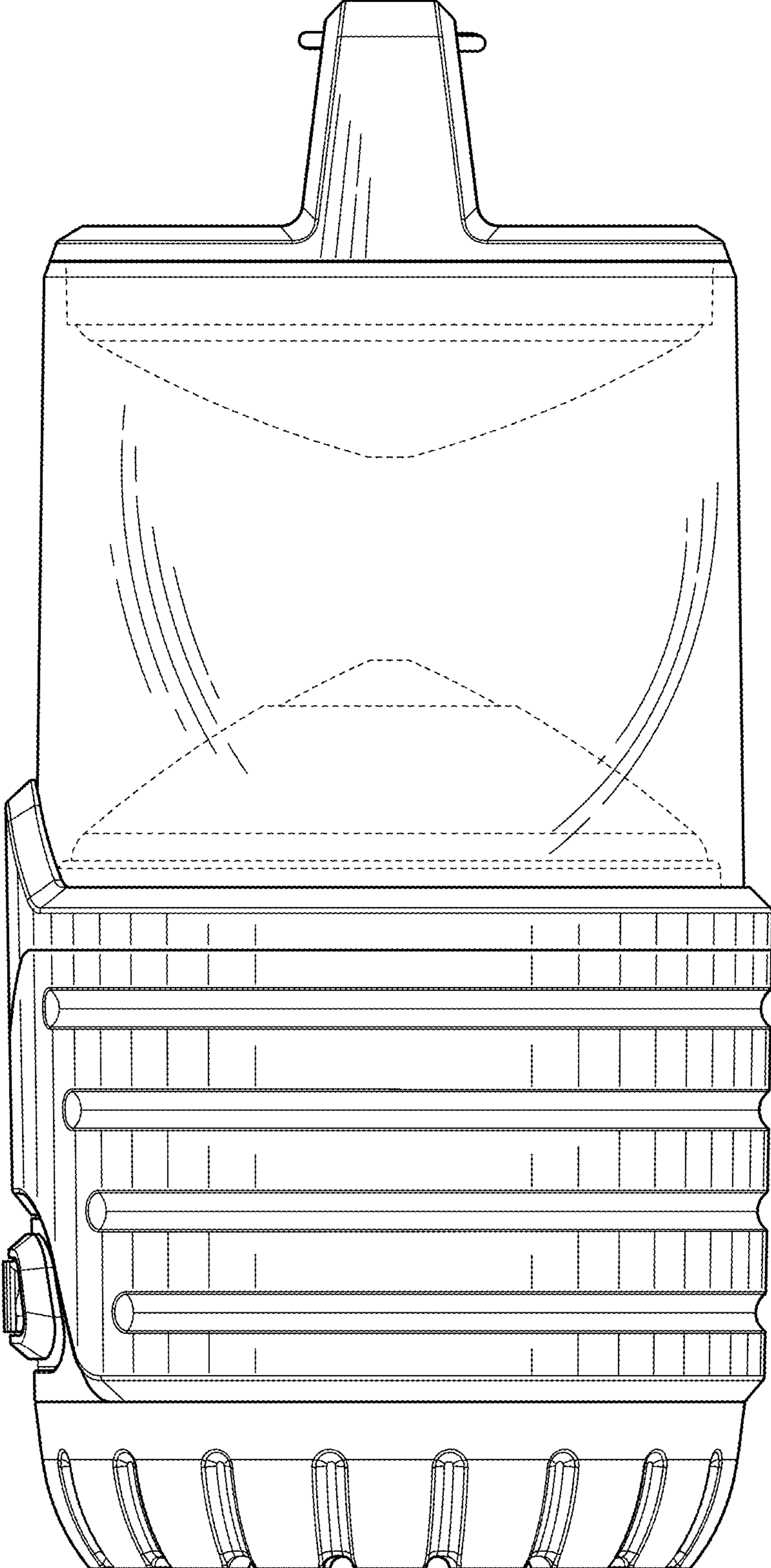


FIG. 7

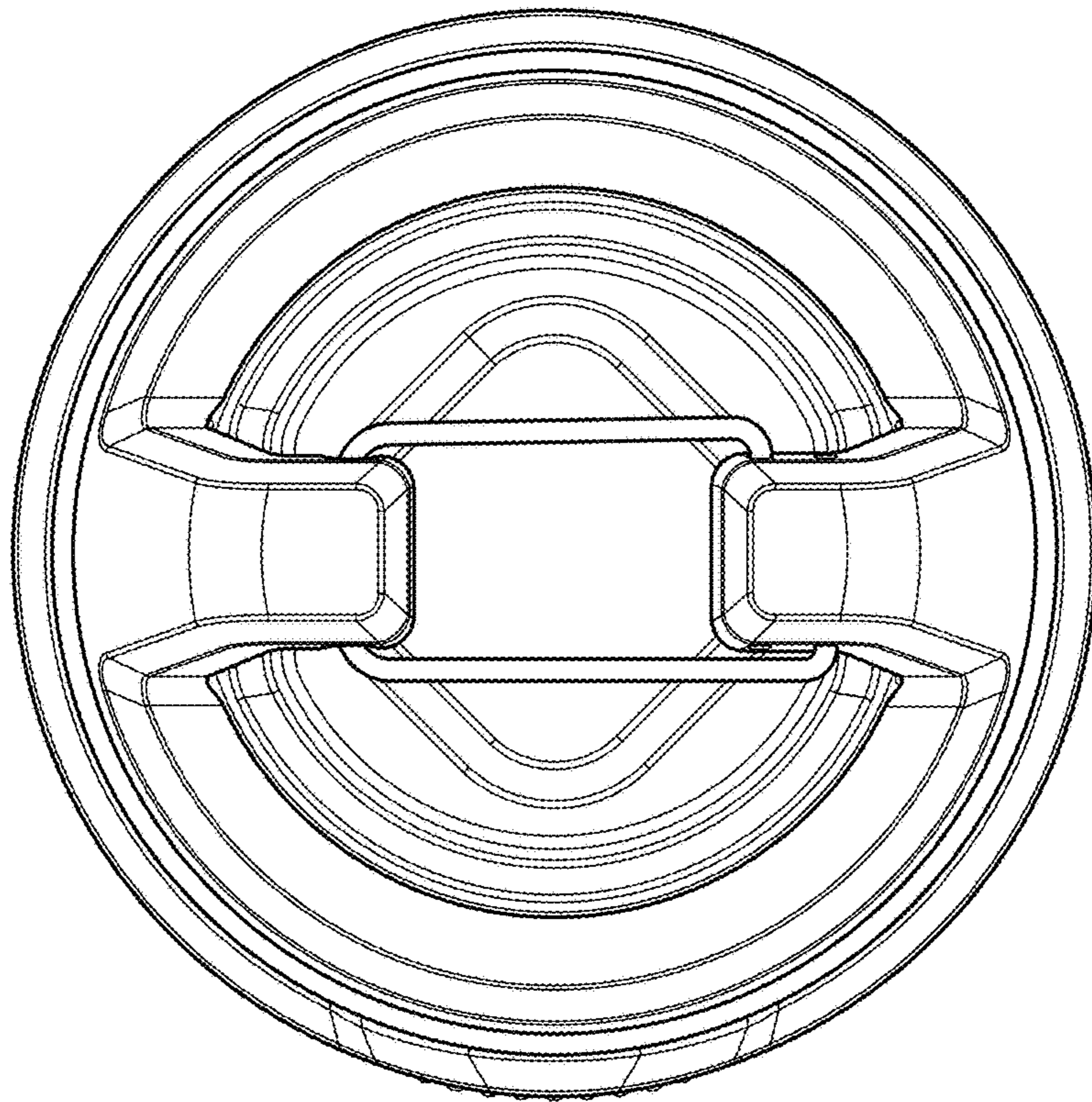


FIG. 8

