



US00D809688S

(12) **United States Design Patent** (10) **Patent No.:** **US D809,688 S**
Christensen (45) **Date of Patent:** **** Feb. 6, 2018**

(54) **LANTERN**
(71) Applicant: **Simple Products Corporation**, Draper, UT (US)
(72) Inventor: **Brian Christensen**, Draper, UT (US)
(73) Assignee: **Simple Products Corporation**, Draper, UT (US)

(**) Term: **15 Years**

(21) Appl. No.: **29/551,893**

(22) Filed: **Jan. 18, 2016**

(51) **LOC (11) Cl.** **26-02**

(52) **U.S. Cl.**
USPC **D26/41**

(58) **Field of Classification Search**
USPC D26/37, 38, 40, 41, 42, 46, 50, 51
CPC ... F21L 4/025; F21L 4/027; F21L 4/04; F21L 4/08; F21L 2005/00; F21L 7/00; F21L 11/00; F21L 13/00; F21L 13/04; F21L 13/08; F21L 14/02; F21L 17/00; F21L 19/00; F21L 25/00

See application file for complete search history.

(56) **References Cited**

U.S. PATENT DOCUMENTS

D547,891 S * 7/2007 Shiu D26/40
D571,493 S * 6/2008 Li D26/37
D583,492 S * 12/2008 Jen D26/40
D599,923 S * 9/2009 Shiu D26/40
D650,104 S * 12/2011 Brands D26/41

D658,324 S * 4/2012 Reimann D26/40
D707,378 S * 6/2014 Shiu D26/41
D725,300 S * 3/2015 Dalton D26/40
9,217,547 B2 * 12/2015 Sharrah F21L 4/005
D747,022 S * 1/2016 Leung D26/40
D747,523 S * 1/2016 Salmon D26/40
D748,836 S * 2/2016 Zhang D26/40
D754,379 S * 4/2016 Green D26/113
D759,869 S * 6/2016 Huang D26/41

* cited by examiner

Primary Examiner — Lakiya Rogers

Assistant Examiner — Carissa C Fitts

(74) *Attorney, Agent, or Firm* — Thorpe North & Western, LLP

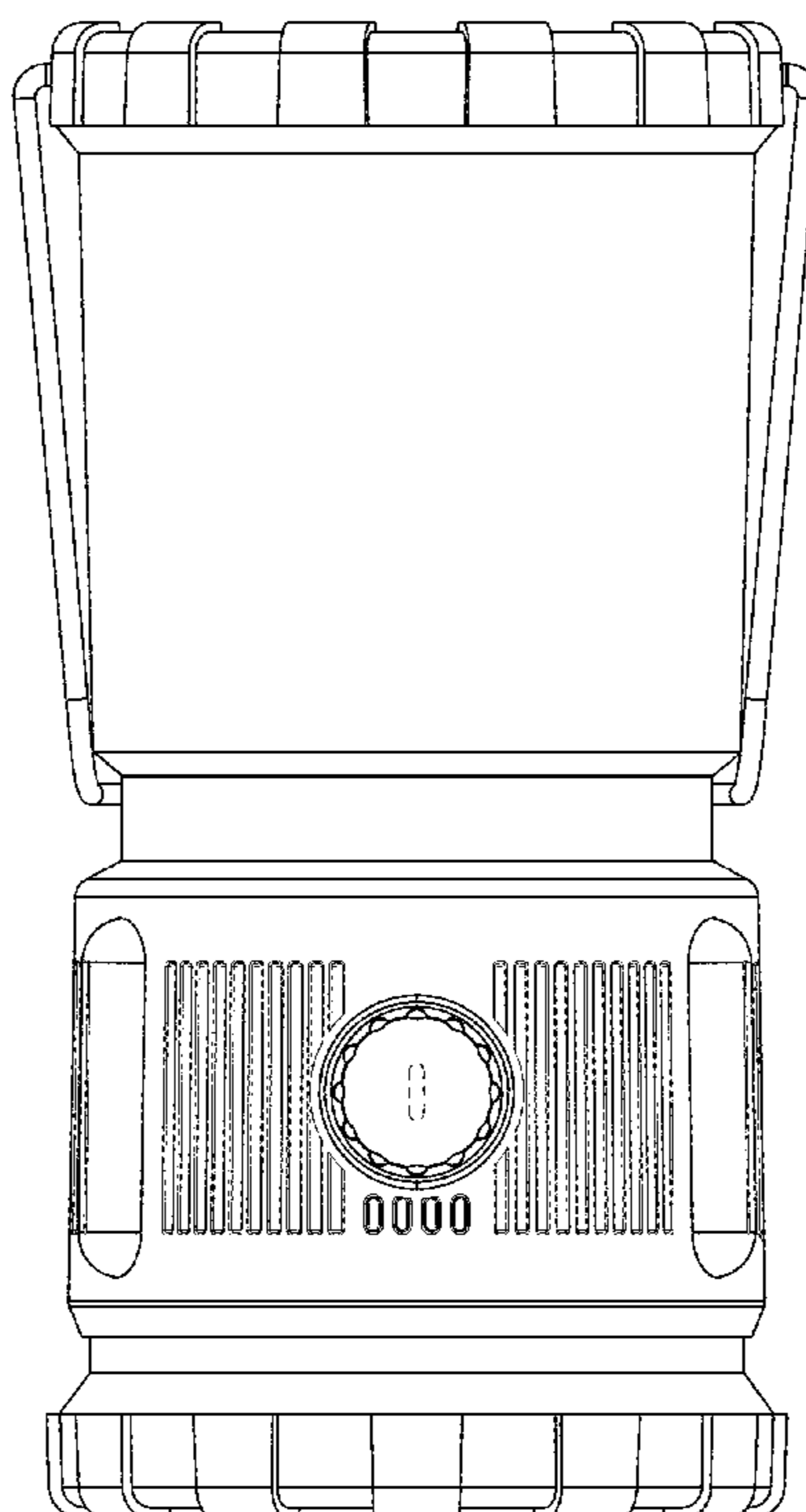
(57) **CLAIM**

The ornamental design for a lantern, as shown and described.

DESCRIPTION

FIG. 1 is a front view of a lantern in accordance with my invention;
FIG. 2 is a right view thereof;
FIG. 3 is a left view thereof;
FIG. 4 is a back view thereof;
FIG. 5 is a top view thereof; and,
FIG. 6 is a bottom view thereof.
The broken lines show portions of the lantern which form no part of the claimed design.

1 Claim, 5 Drawing Sheets



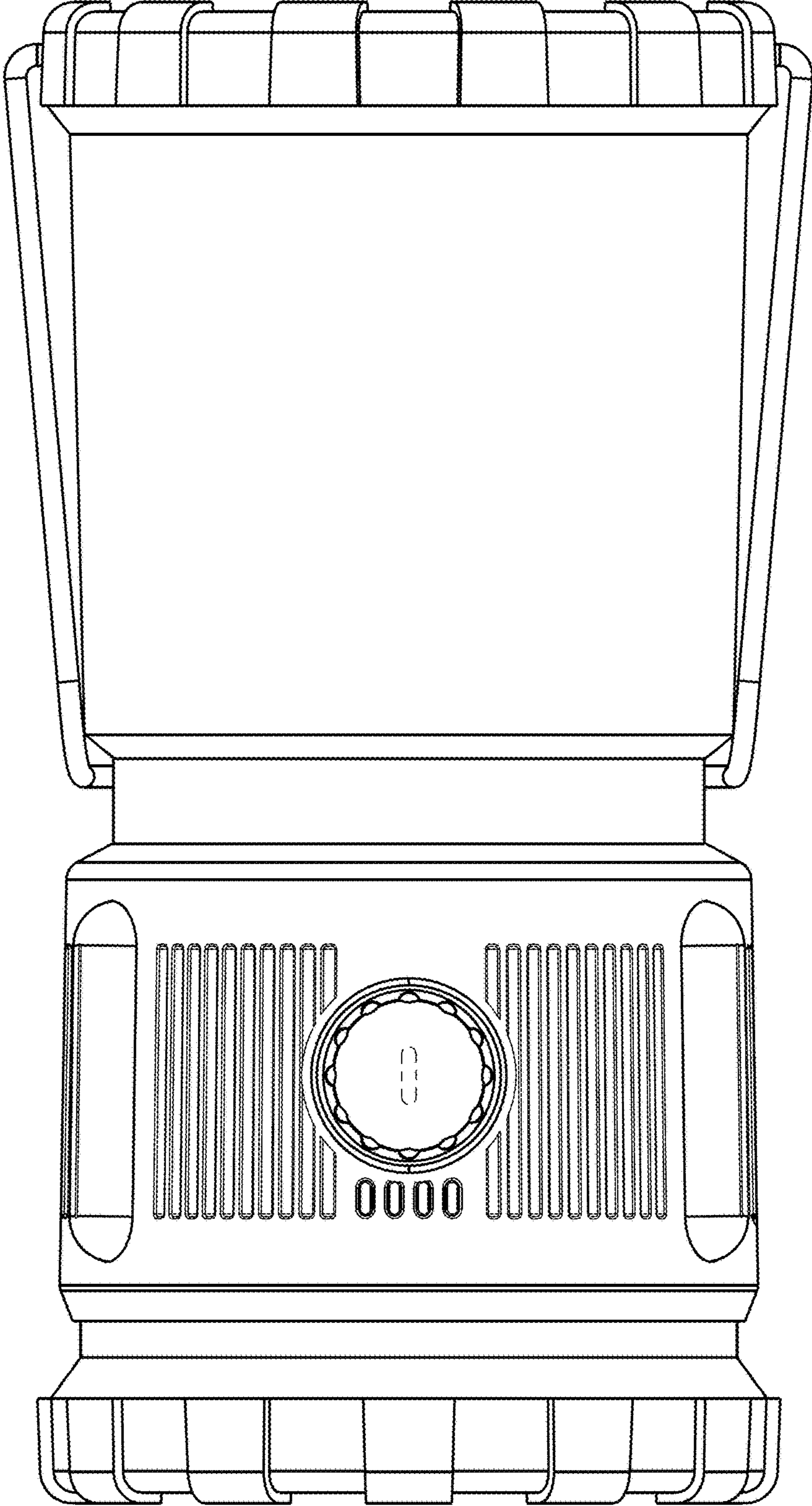


FIG. 1

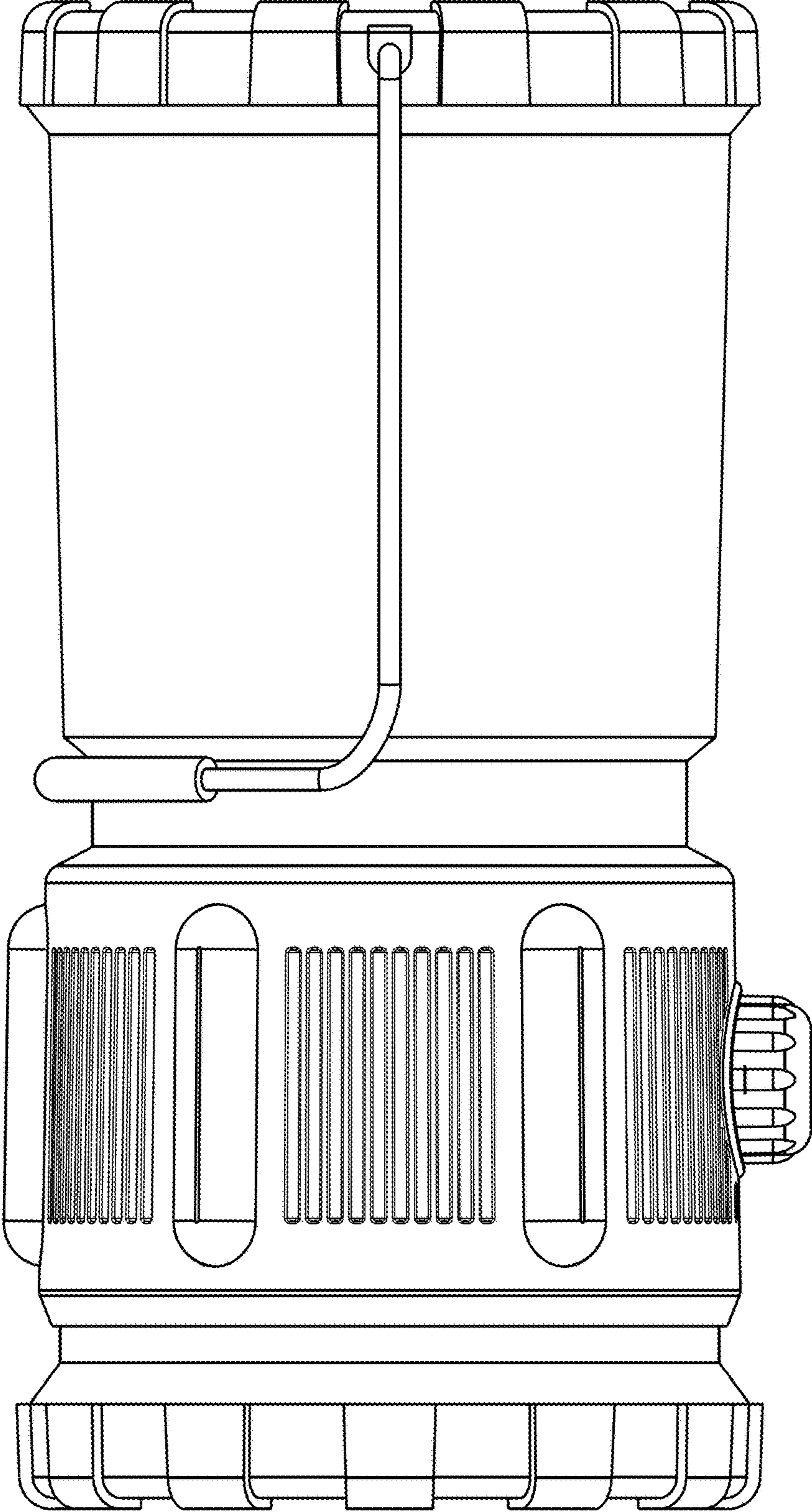


FIG. 2

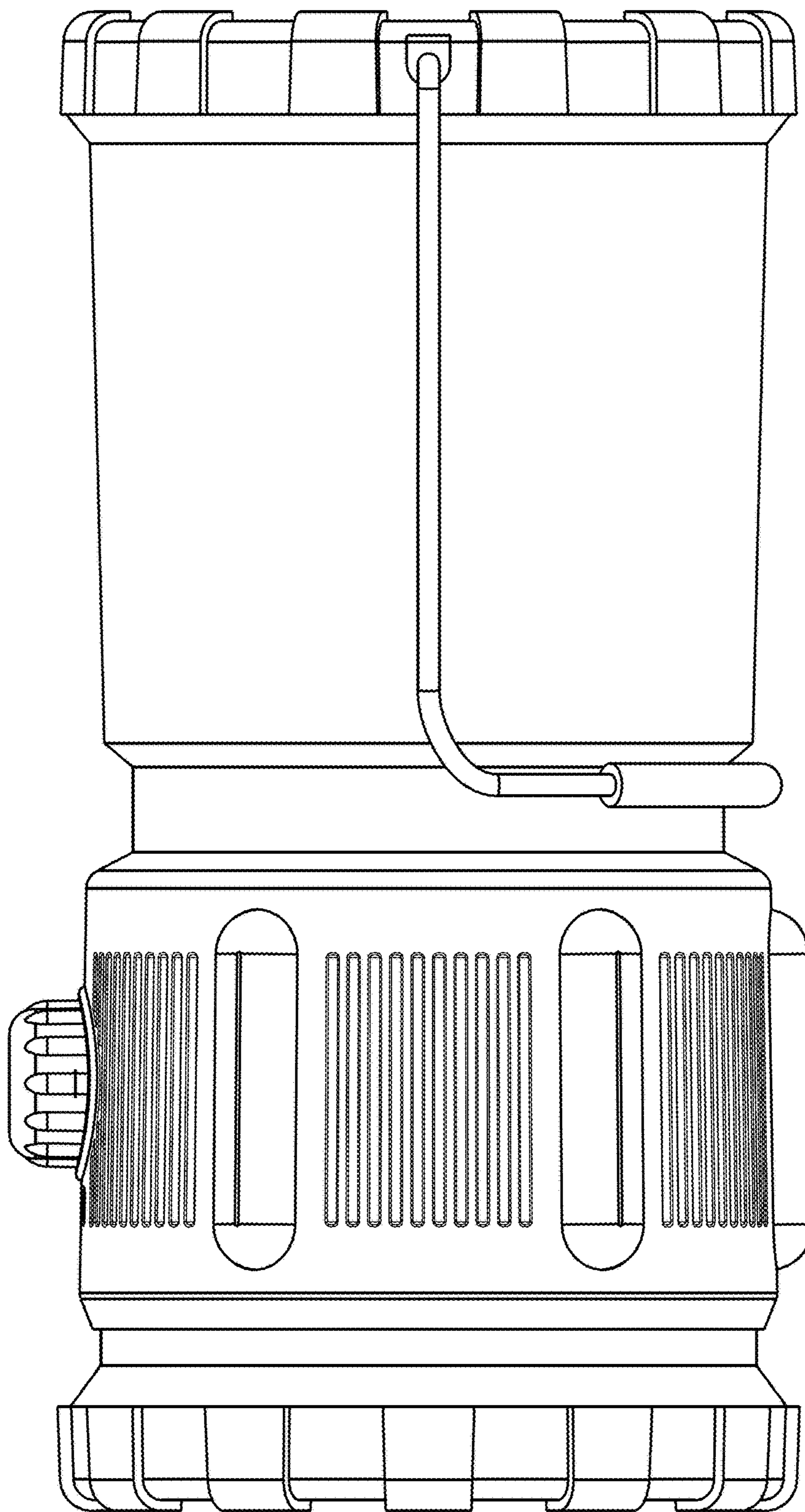


FIG. 3

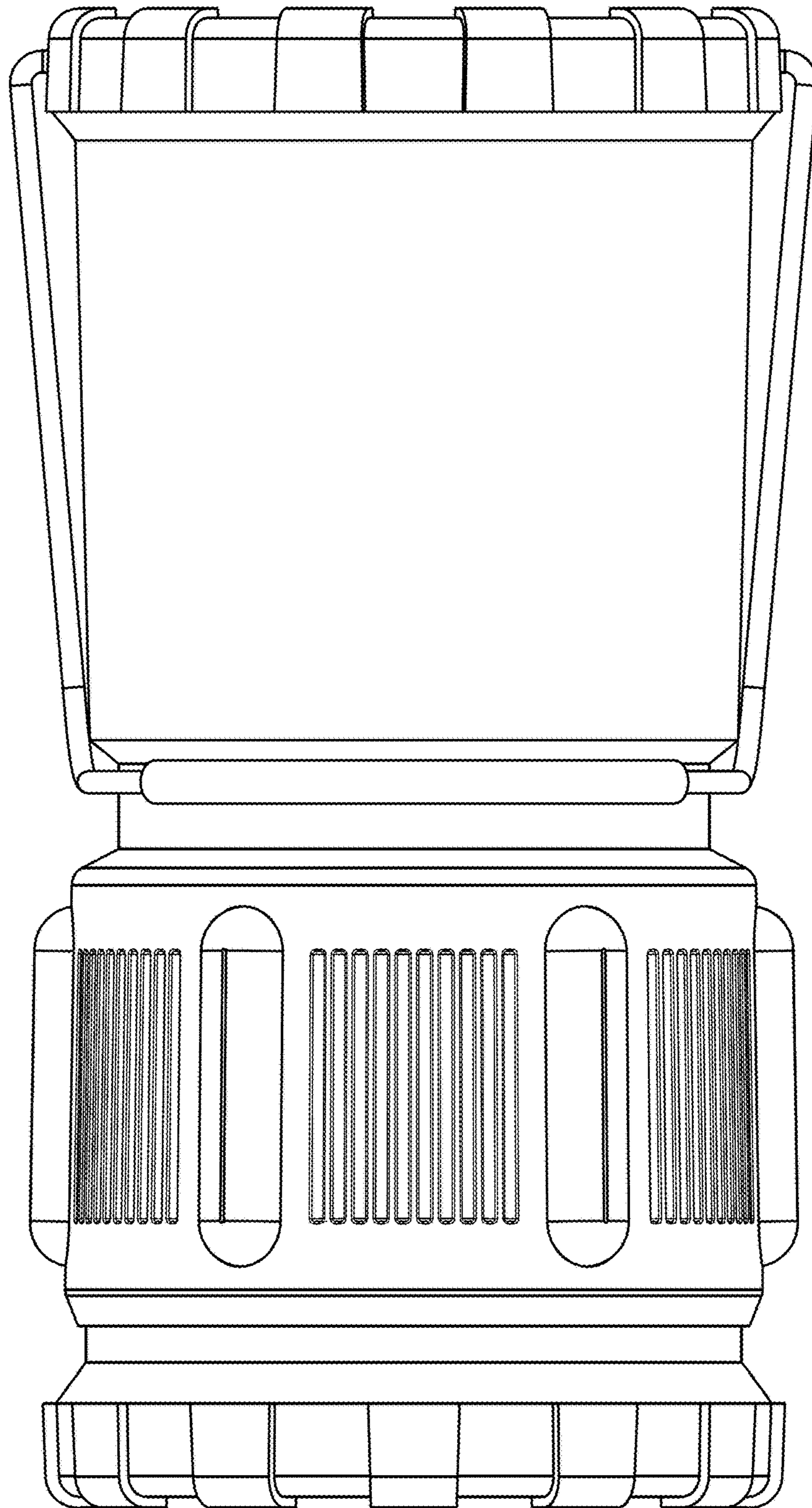


FIG. 4

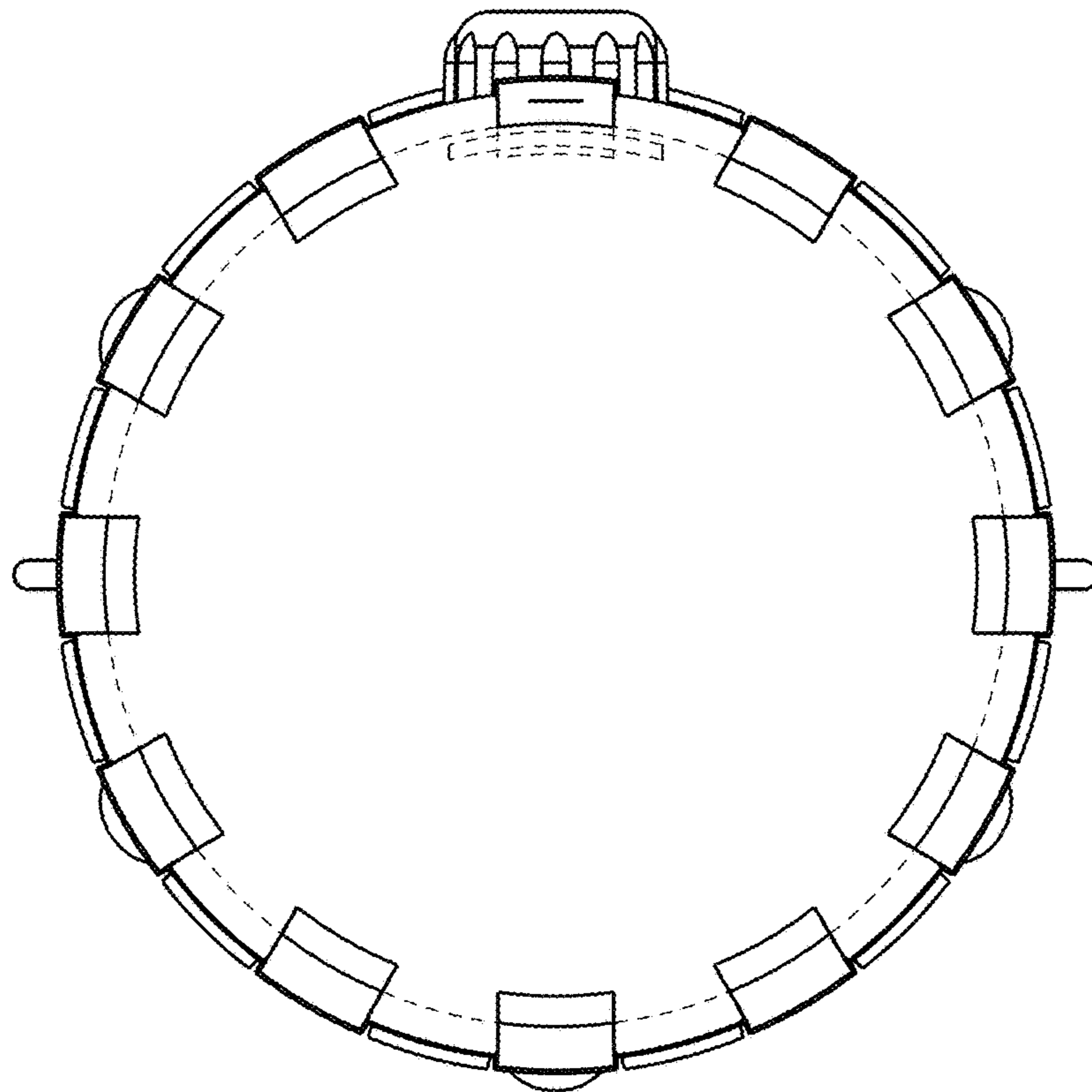


FIG. 5

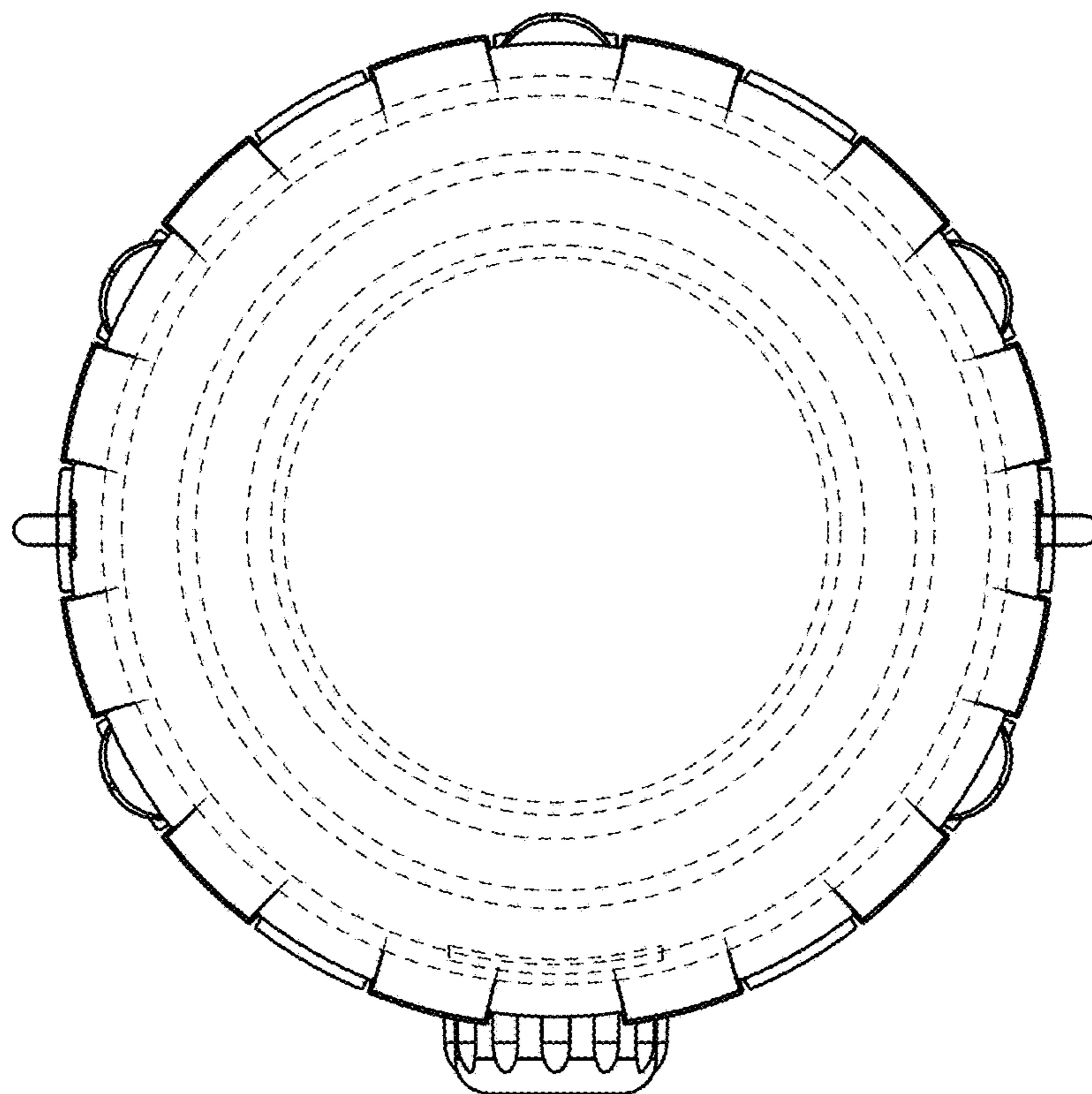


FIG. 6