



US00D809687S

(12) **United States Design Patent**
Krantz et al.

(10) **Patent No.:** **US D809,687 S**
(45) **Date of Patent:** **** Feb. 6, 2018**

(54) **LANTERN DEVICE**

(74) *Attorney, Agent, or Firm* — Foley & Lardner LLP

(71) Applicant: **Goal Zero LLC**, Bluffdale, UT (US)

(57) **CLAIM**

(72) Inventors: **Norman L. Krantz**, Draper, UT (US);
Henry J. Howell, Herriman, UT (US);
Russell D. Thurgood, Salem, UT (US)

We claim the ornamental design for a lantern device, as shown and described.

(73) Assignee: **Goal Zero LLC**, Bluffdale, UT (US)

DESCRIPTION

(**) Term: **15 Years**

(21) Appl. No.: **29/552,733**

(22) Filed: **Jan. 25, 2016**

Related U.S. Application Data

(63) Continuation of application No. 29/535,212, filed on Aug. 4, 2015.

(51) **LOC (11) Cl.** **26-02**

(52) **U.S. Cl.**
USPC **D26/40; D26/41**

(58) **Field of Classification Search**
USPC D26/40, 38, 46, 51, 39, 41, 37; 362/157,
362/158, 194–196, 200–208, 253
(Continued)

(56) **References Cited**

U.S. PATENT DOCUMENTS

D397,467 S * 8/1998 Howard D26/41
D424,227 S * 5/2000 Long D26/50
(Continued)

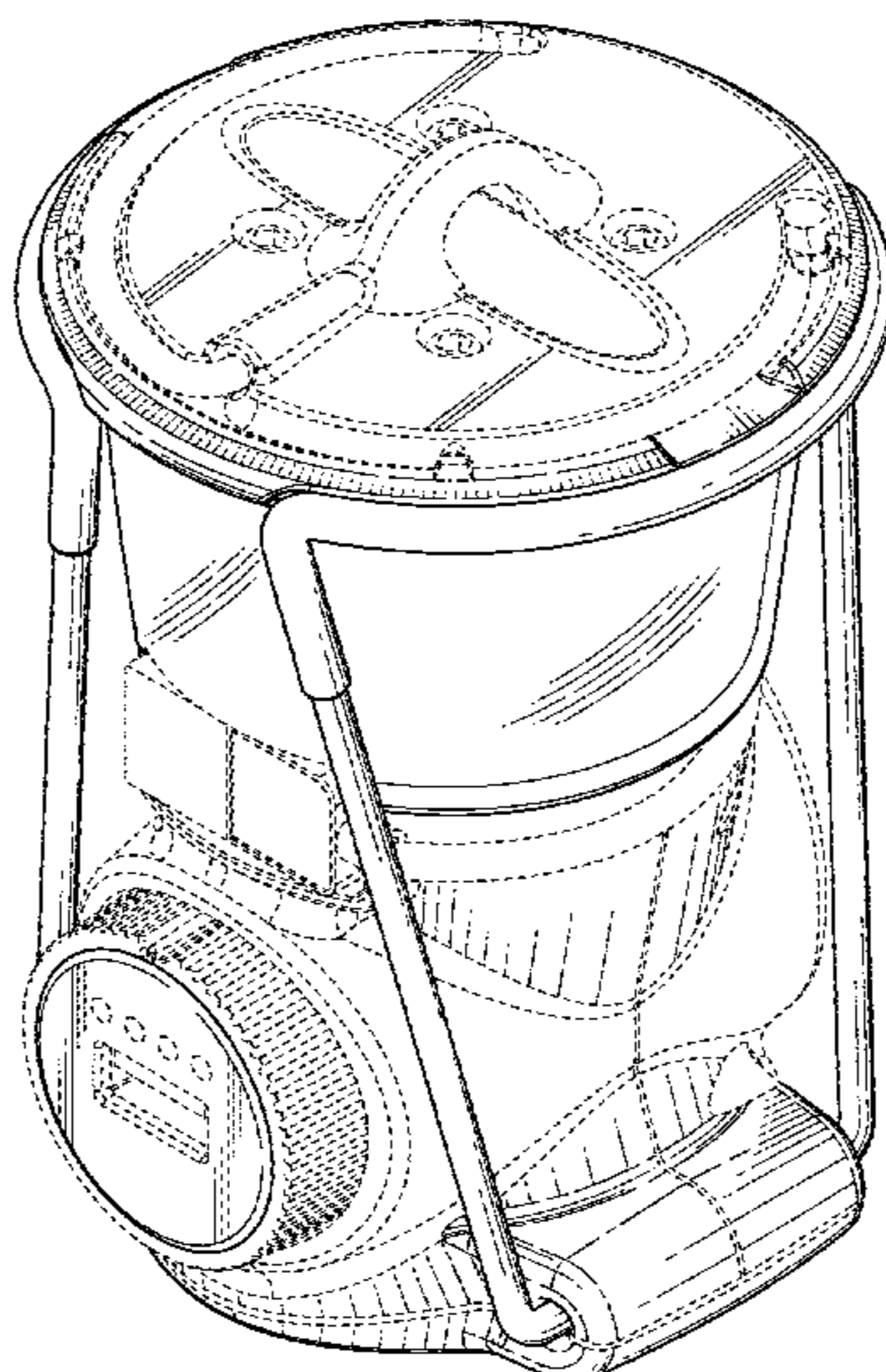
OTHER PUBLICATIONS

U.S. Appl. No. 29/458,766, filed Jun. 21, 2013, Goal Zero LLC.
(Continued)

Primary Examiner — Lakiya Rogers
Assistant Examiner — Carissa C Fitts

FIG. 1 is a front perspective view of the claimed design; FIG. 2 is a front view of the claimed design; FIG. 3 is a rear view of the claimed design; FIG. 4 is a left side view of the claimed design; FIG. 5 is a right side view of the claimed design; FIG. 6 is a top view of the claimed design; FIG. 7 is a bottom view of the claimed design; FIG. 8 is a front perspective view of the claimed design in another configuration; FIG. 9 is a front view of the configuration of FIG. 8; FIG. 10 is a rear view of the configuration of FIG. 8; FIG. 11 is a left side view of the configuration of FIG. 8; FIG. 12 is a right side view of the configuration of FIG. 8; FIG. 13 is a top view of the configuration of FIG. 8; and, FIG. 14 is a bottom view of the configuration of FIG. 8. The broken line showing of the lantern device represents unclaimed portions of the article only and forms no part of the claimed design. Broken lines formed by equal length dashes show unclaimed portions of the design. While the accompanying drawings illustrate one or more exemplary embodiments, it should be understood that, according to other exemplary embodiments that should be considered to be within the possession of the inventors of the present application at the time this application is being filed, it is contemplated that any illustrated solid lines (or portions thereof) may be converted to broken lines and that any illustrated broken lines (or portions thereof) may be converted to solid lines so as to claim or disclaim portions, components, or sub-components of the designs shown. It is further contemplated that shading may be added or removed to claim or disclaim the corresponding surfaces.

1 Claim, 12 Drawing Sheets



(58) **Field of Classification Search**

CPC F21L 2003/00; F21L 4/00; F21L 4/005;
F21L 4/02; F21L 4/025; F21L 4/027;
F21L 4/04; F21L 4/08; F21L 2005/00;
F21L 7/00; F21L 11/00; F21L 13/00;
F21L 13/04; F21L 13/08; F21L 14/02;
F21L 17/00; F21L 19/00

See application file for complete search history.

(56) **References Cited**

U.S. PATENT DOCUMENTS

D429,354 S * 8/2000 Petterson D26/40
D509,920 S * 9/2005 Fritz D26/40
D553,774 S * 10/2007 Leung D26/40
D556,928 S * 12/2007 Poon D26/40
D559,418 S * 1/2008 Poon D26/40
D571,493 S * 6/2008 Li D26/37
D608,920 S * 1/2010 Loibl D26/40
D621,536 S * 8/2010 Lee D26/41
D648,055 S * 11/2011 Poon D26/41
D670,013 S * 10/2012 Bertken D26/40
D725,300 S * 3/2015 Dalton D26/40
9,182,088 B2 11/2015 Workman et al.
9,217,547 B2 * 12/2015 Sharrah F21L 4/005
D747,523 S * 1/2016 Salmon D26/40

OTHER PUBLICATIONS

U.S. Appl. No. 29/513,752, filed Jan. 5, 2015, Goal Zero LLC.
U.S. Appl. No. 29/535,213, filed Aug. 4, 2015, Krantz et al.
U.S. Appl. No. 62/099,905, filed Jan. 5, 2015, Goal Zero LLC.
U.S. Appl. No. 29/535,213, filed Aug. 4, 2015, Goal Zero LLC.

* cited by examiner

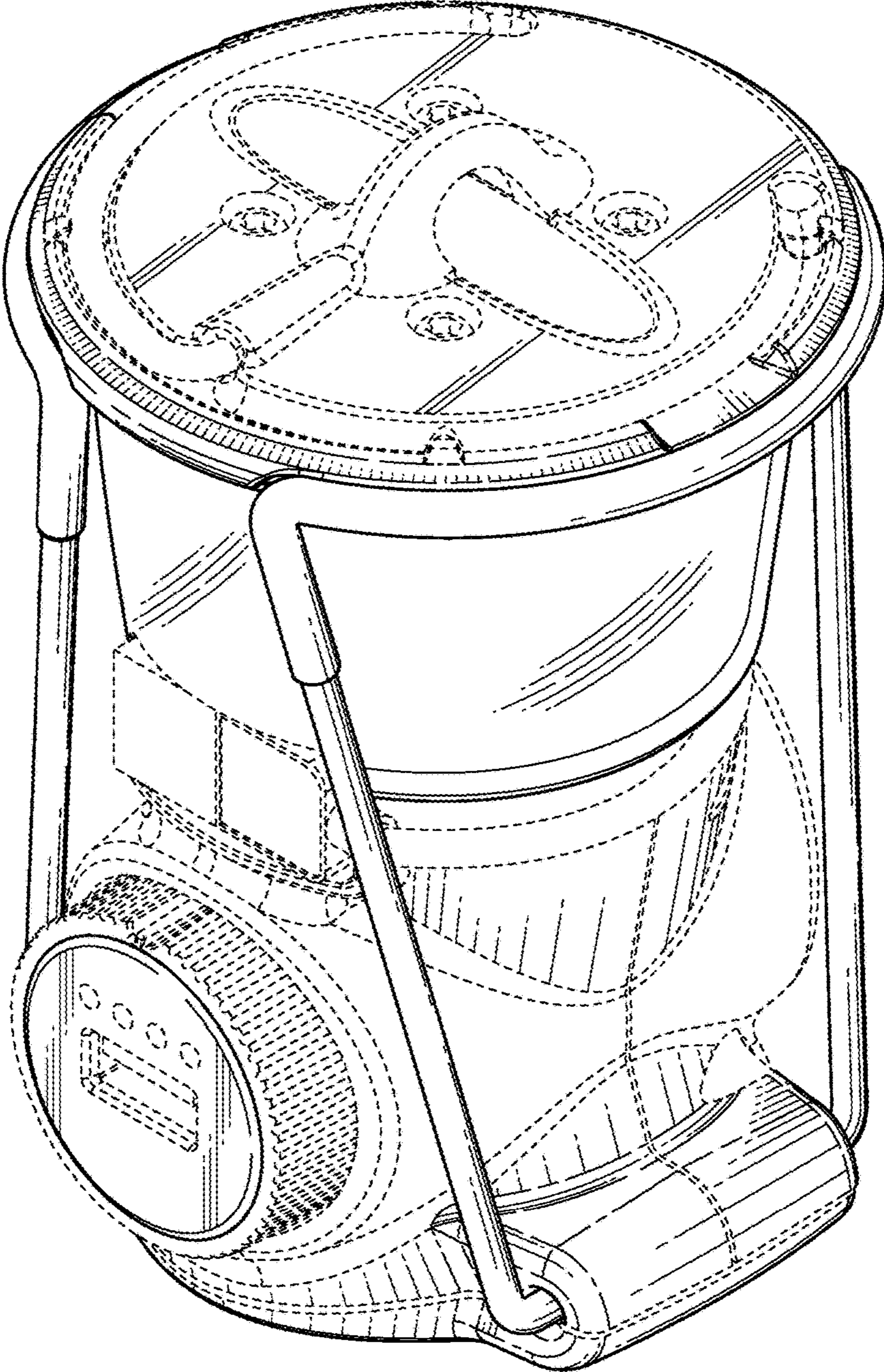


FIG. 1

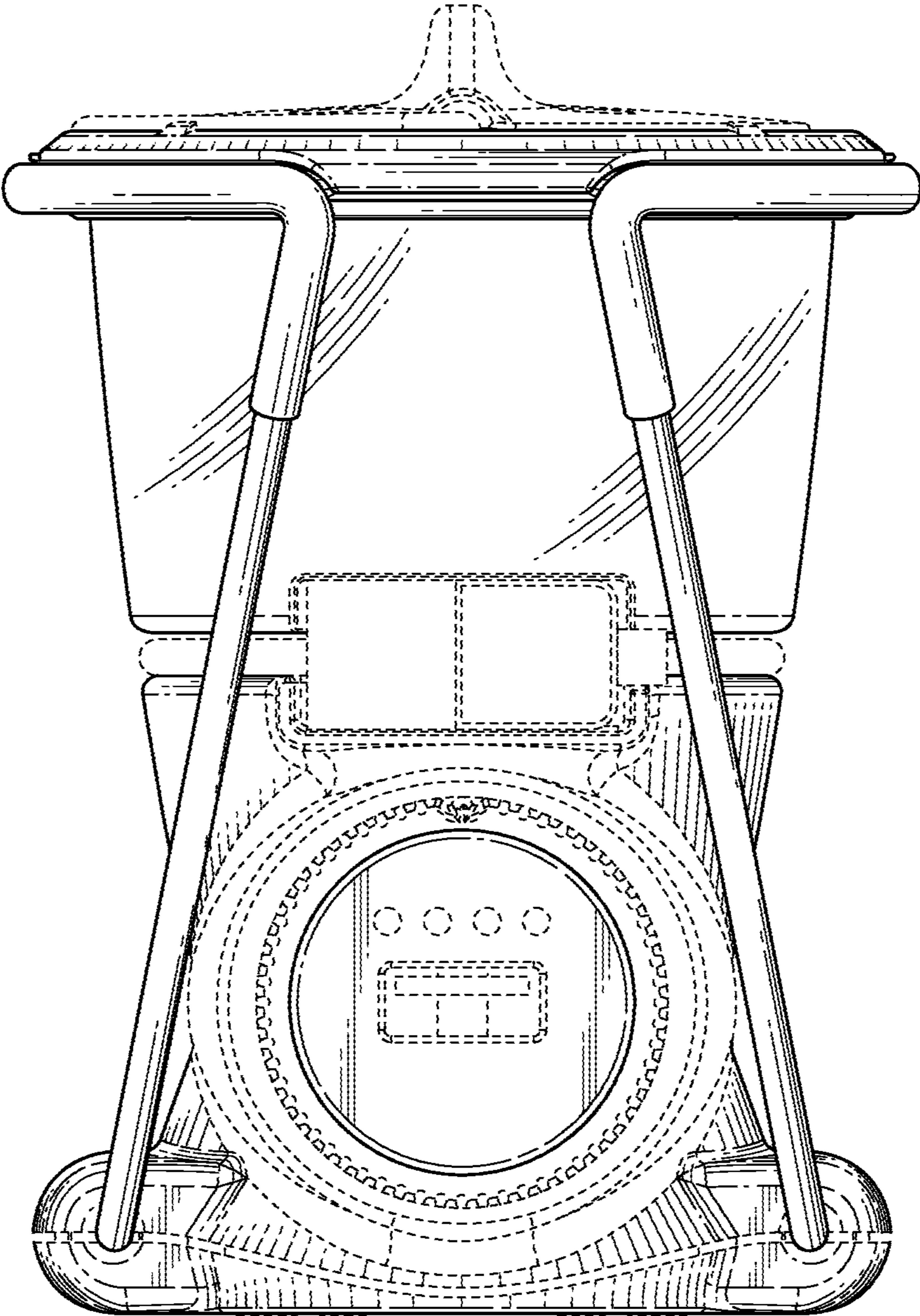


FIG. 2

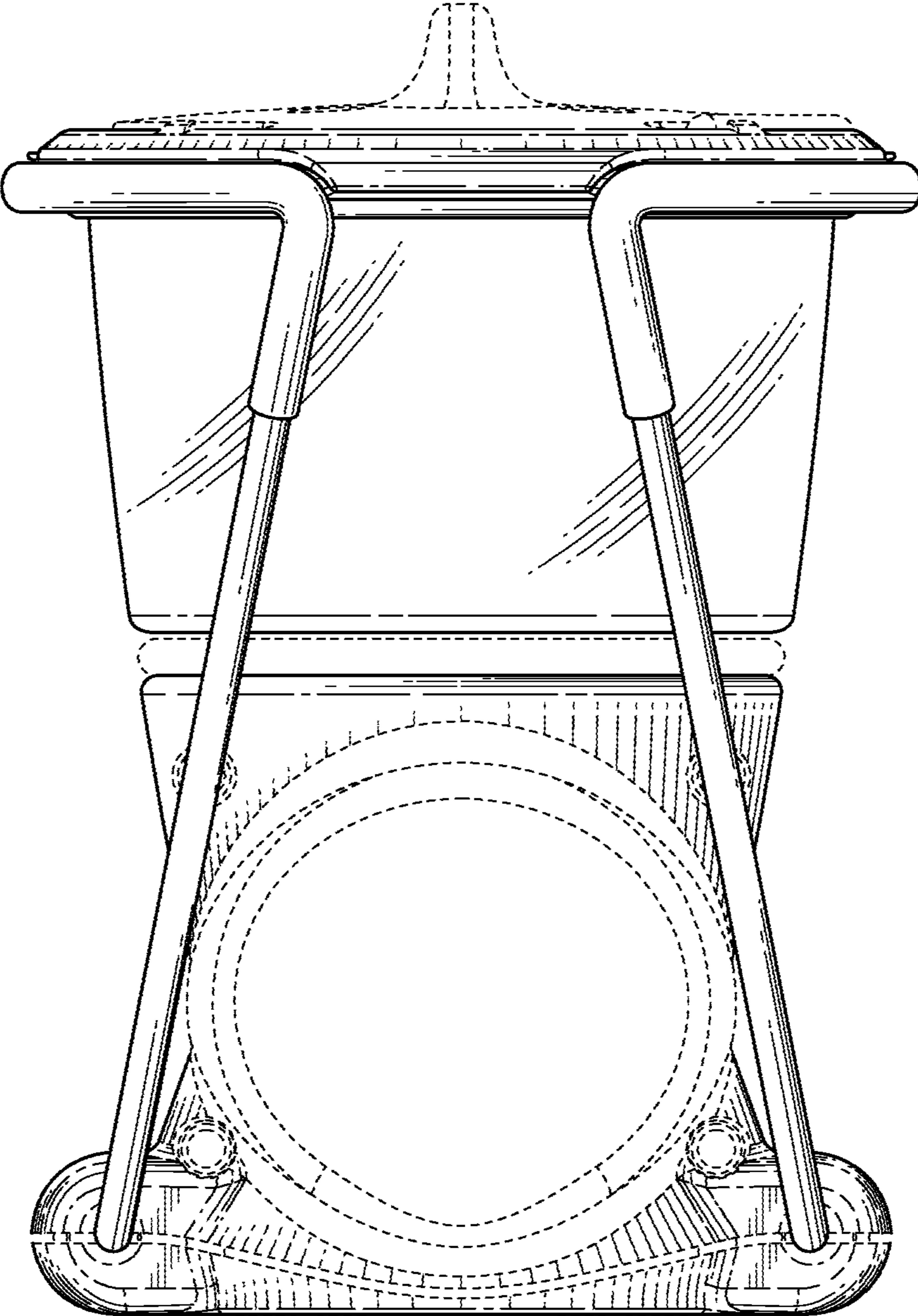


FIG. 3

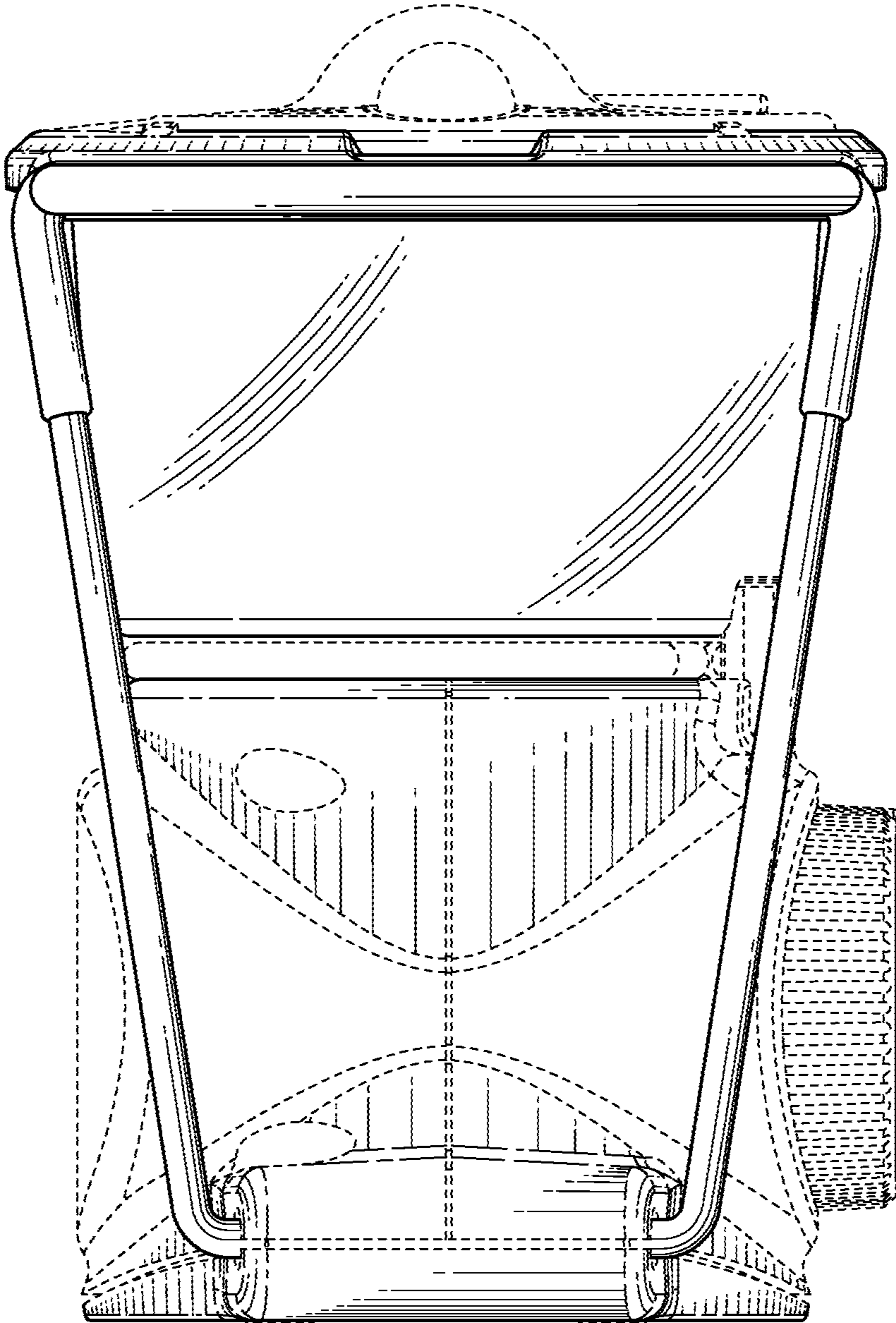


FIG. 4

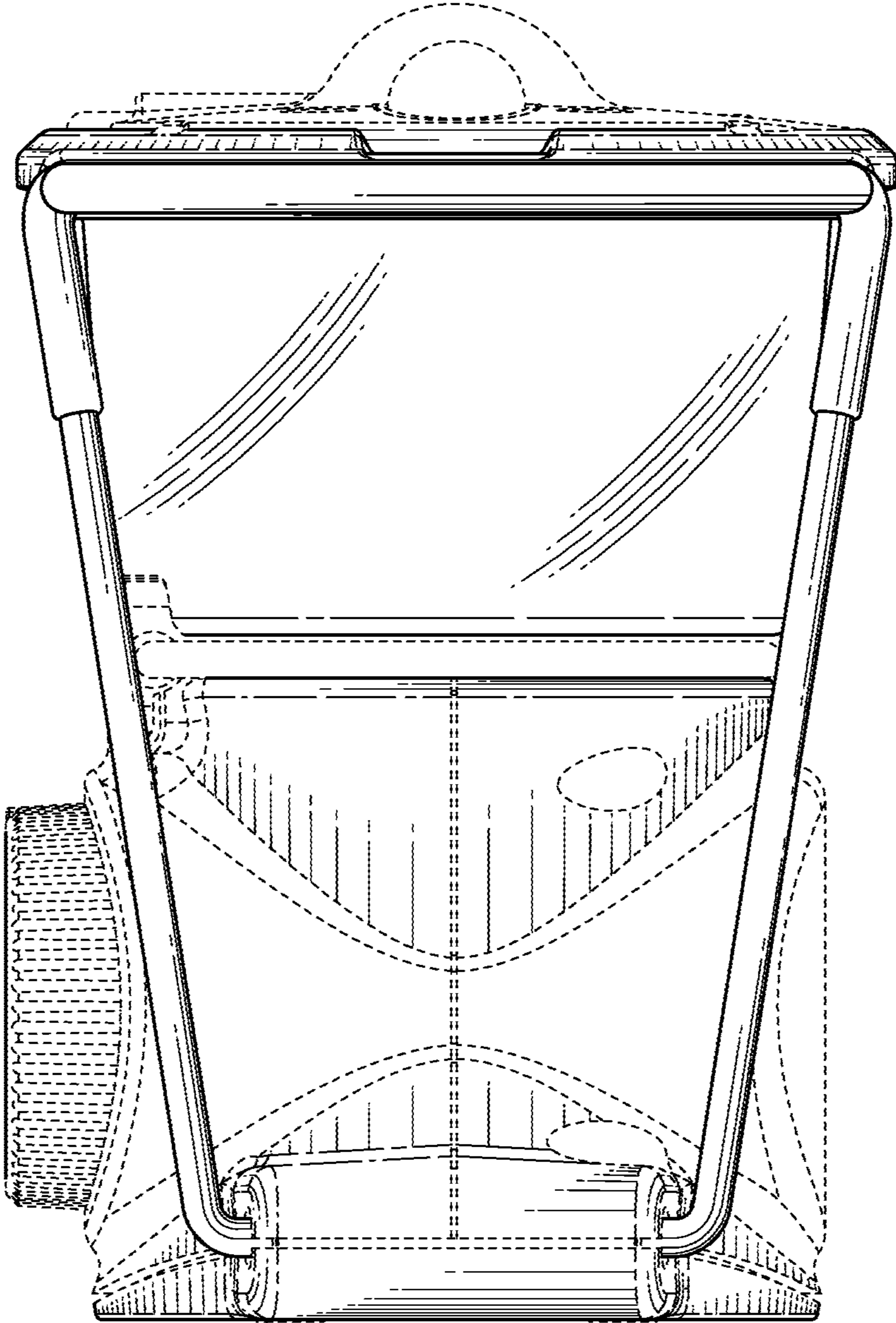


FIG. 5

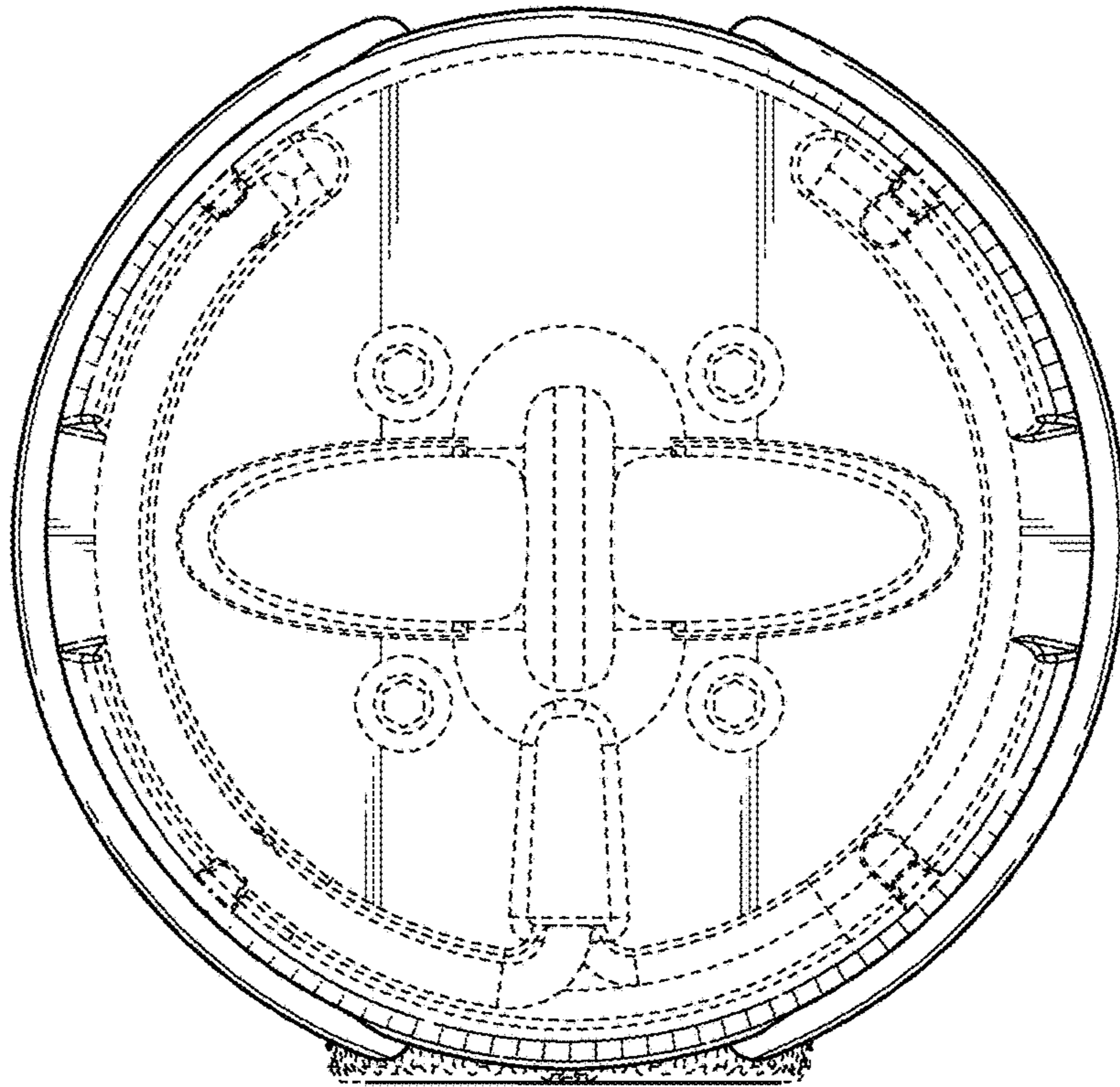


FIG. 6

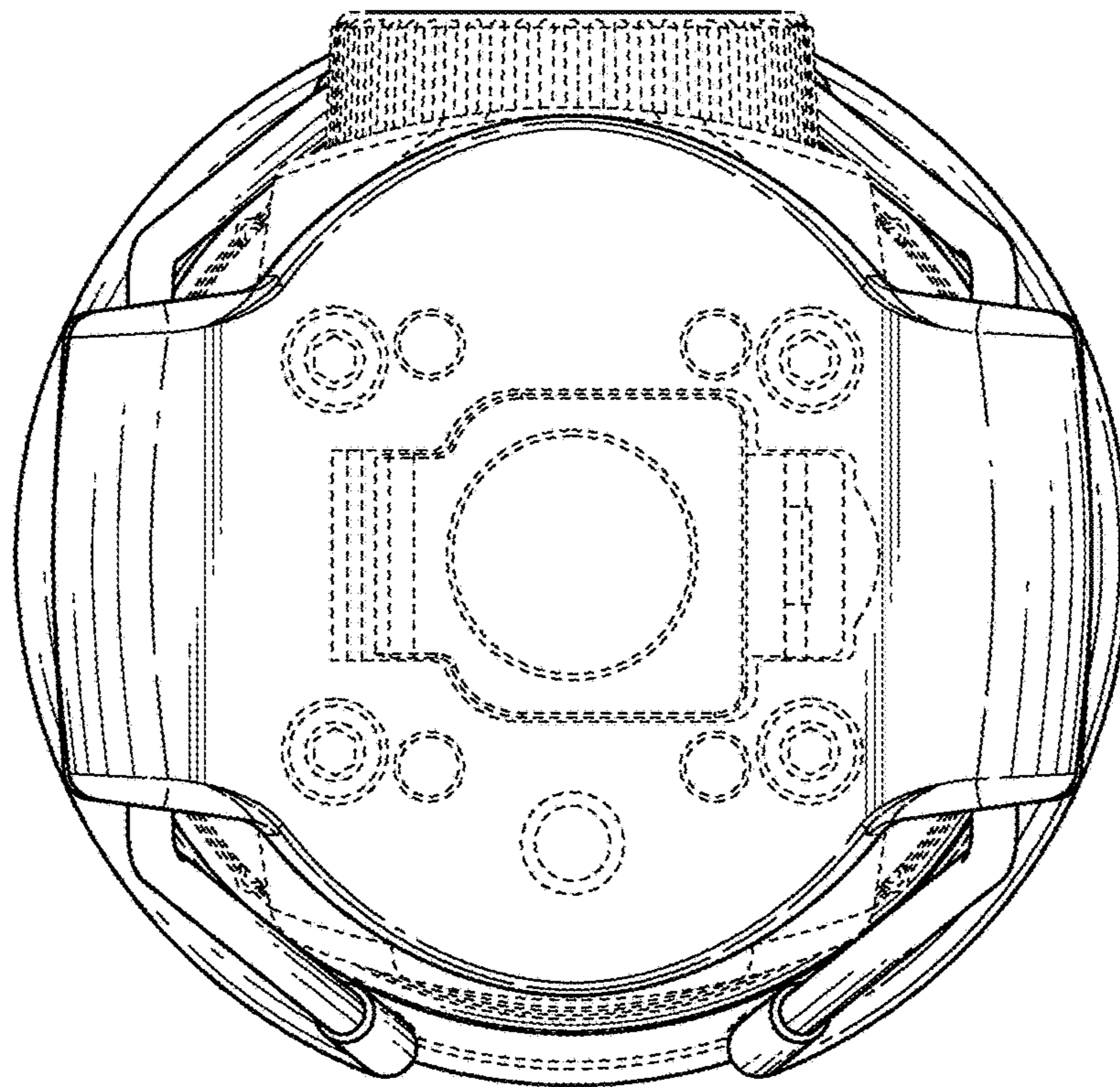


FIG. 7

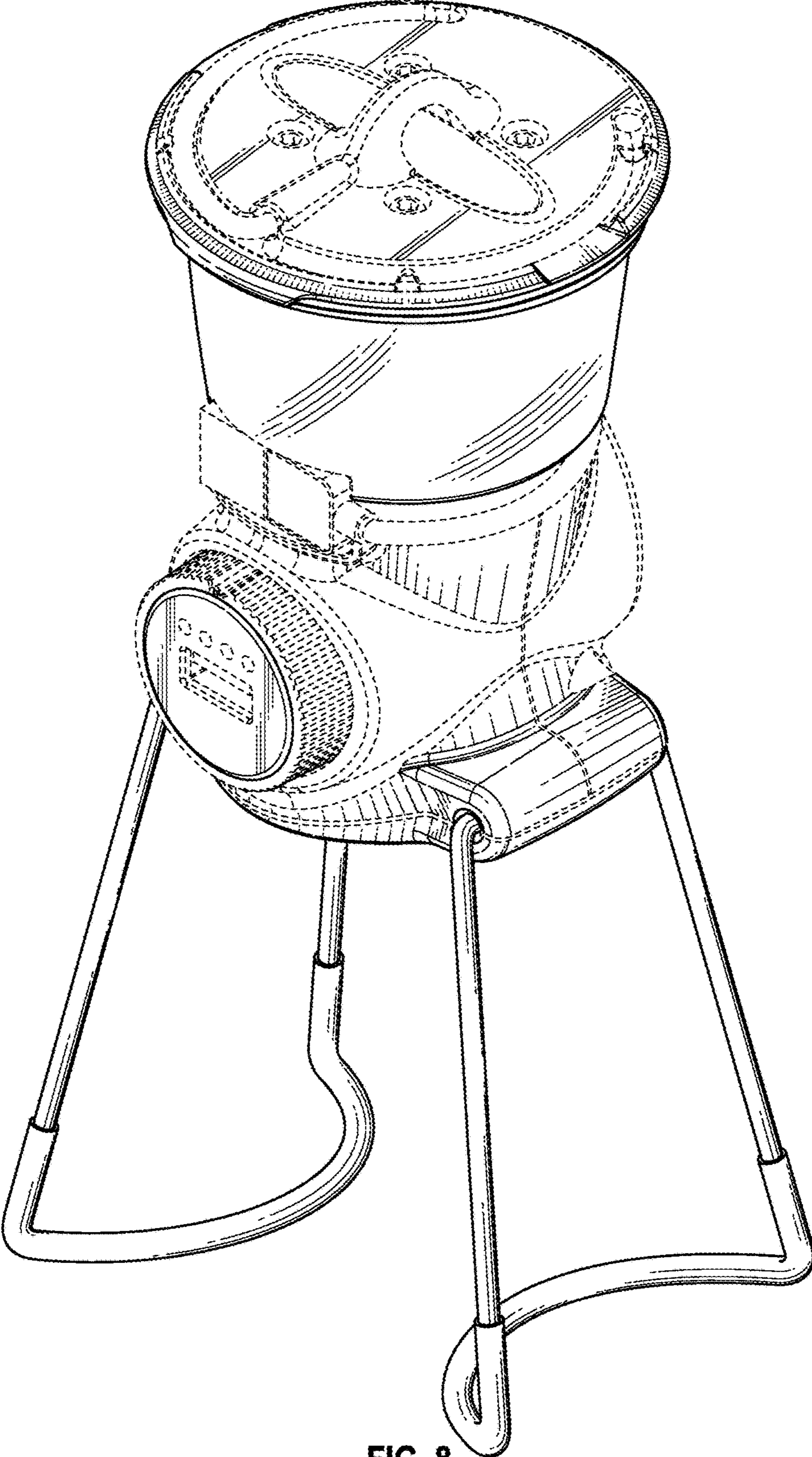


FIG. 8

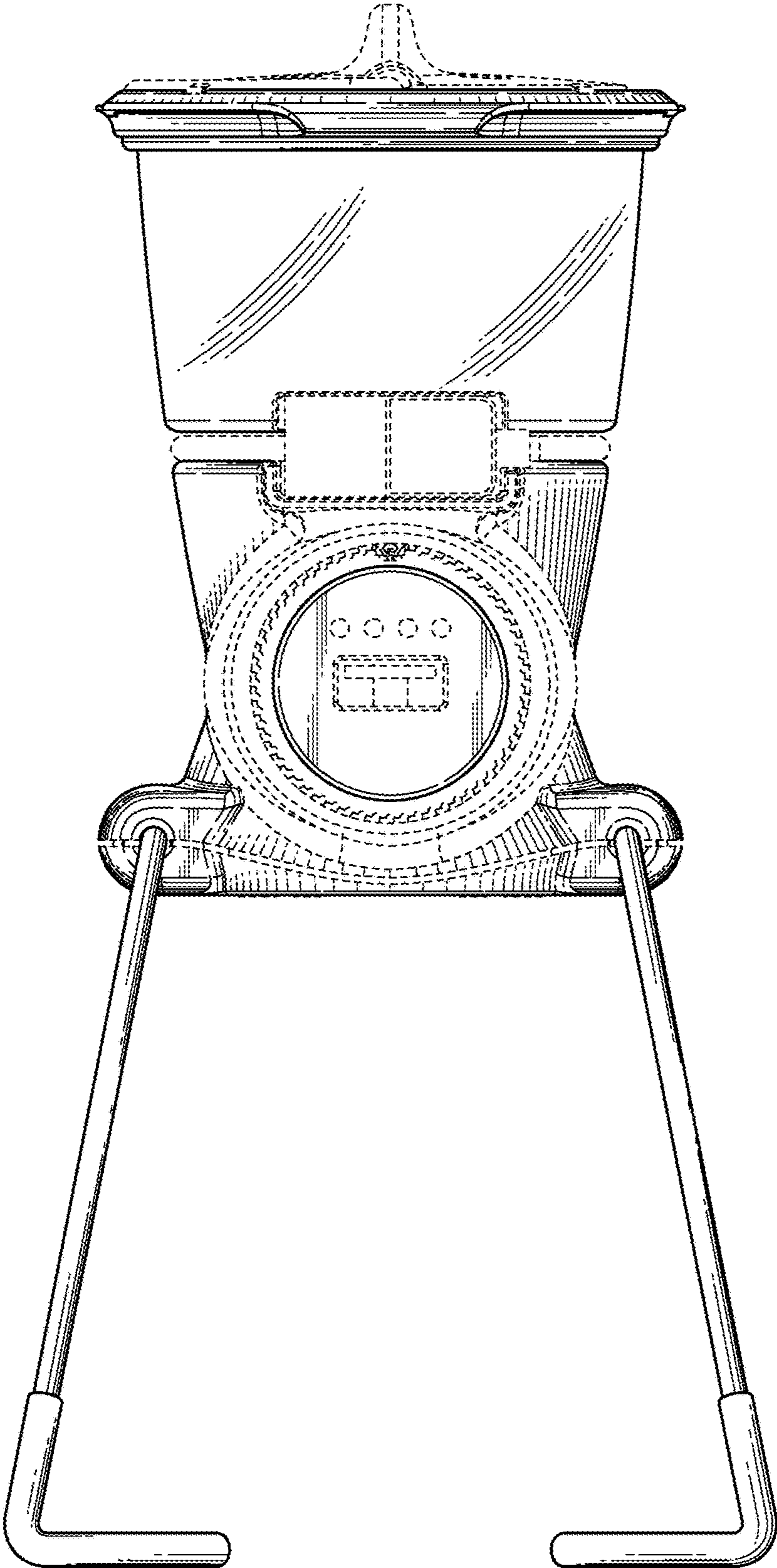


FIG. 9

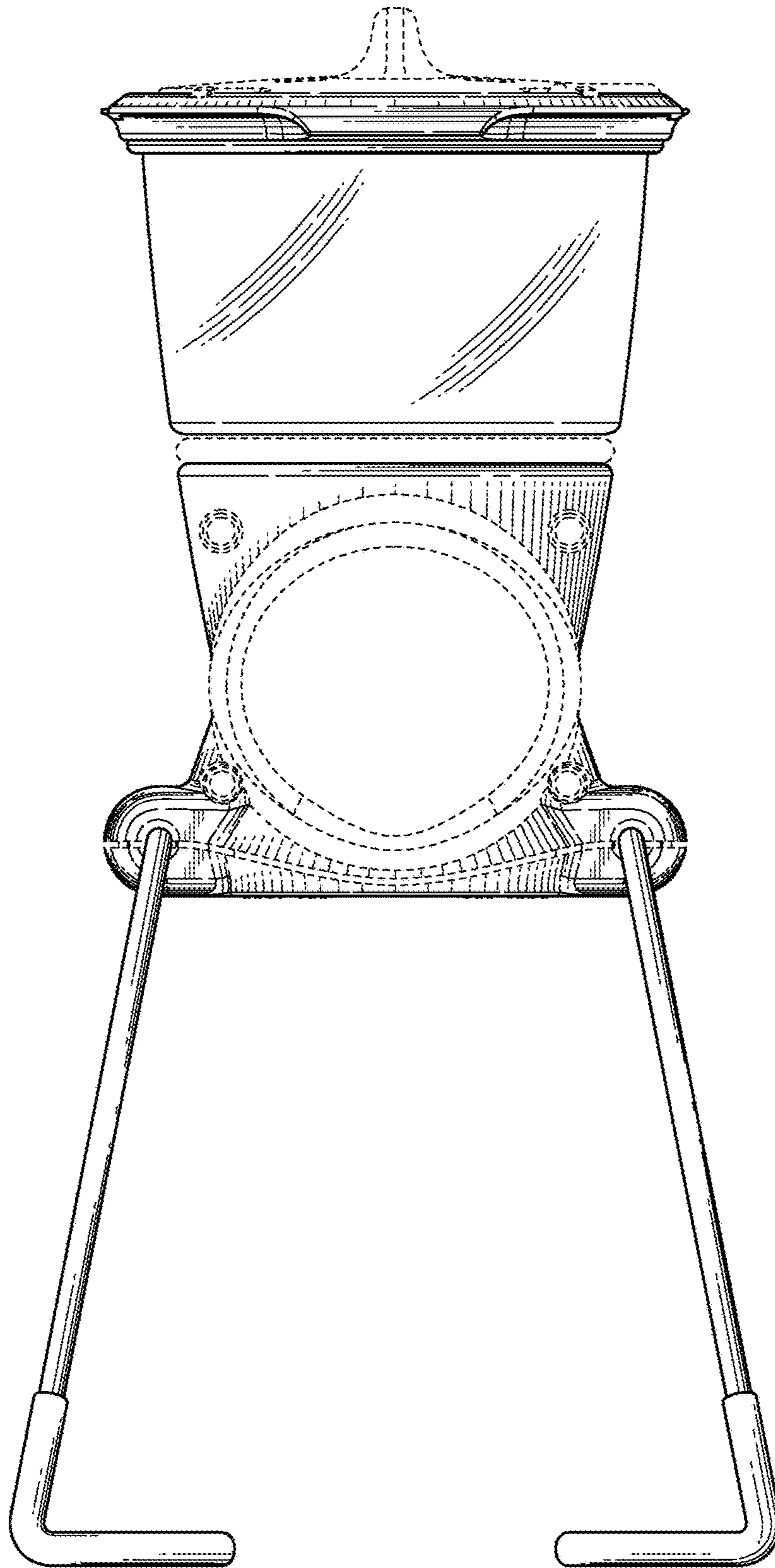


FIG. 10

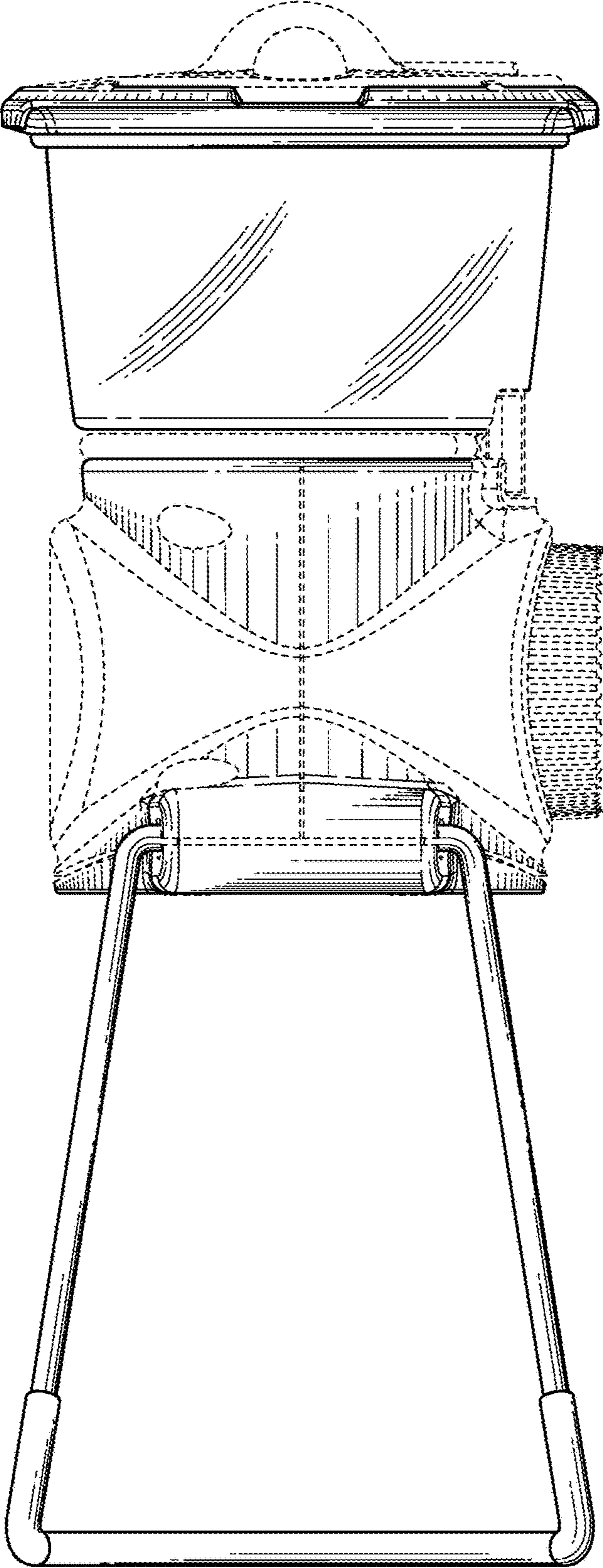


FIG. 11

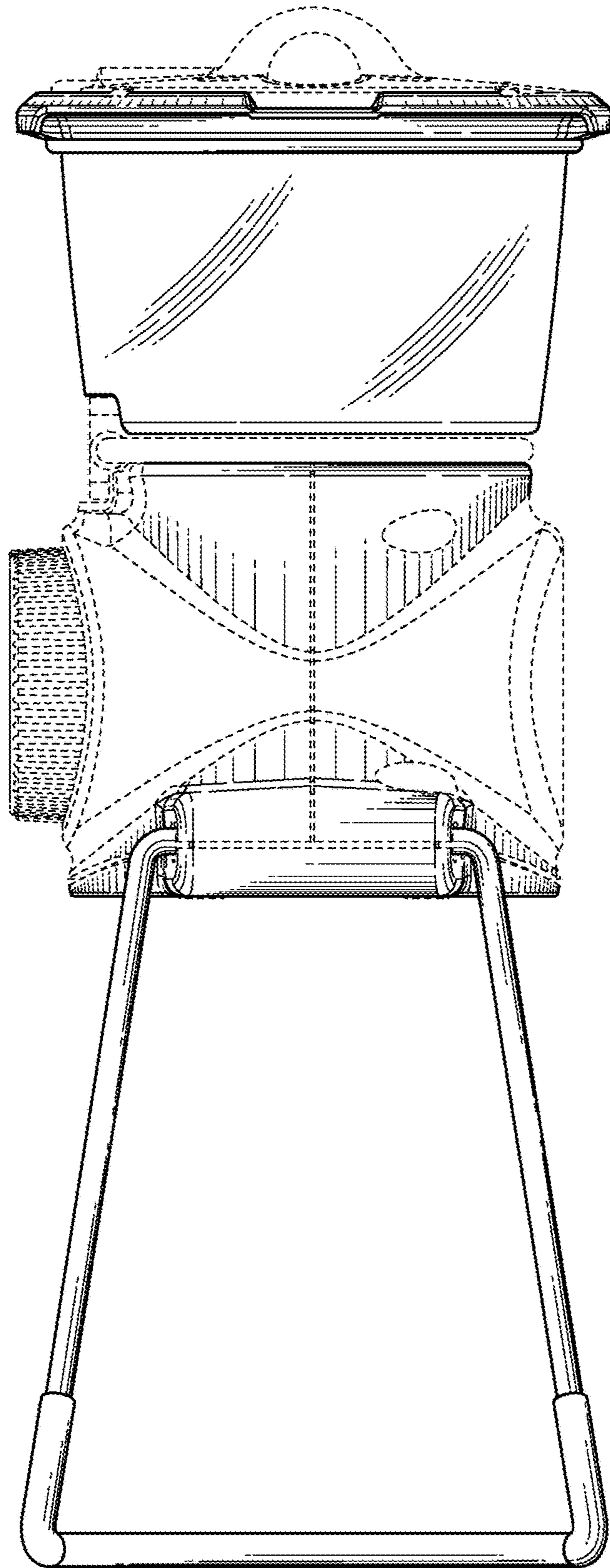


FIG. 12

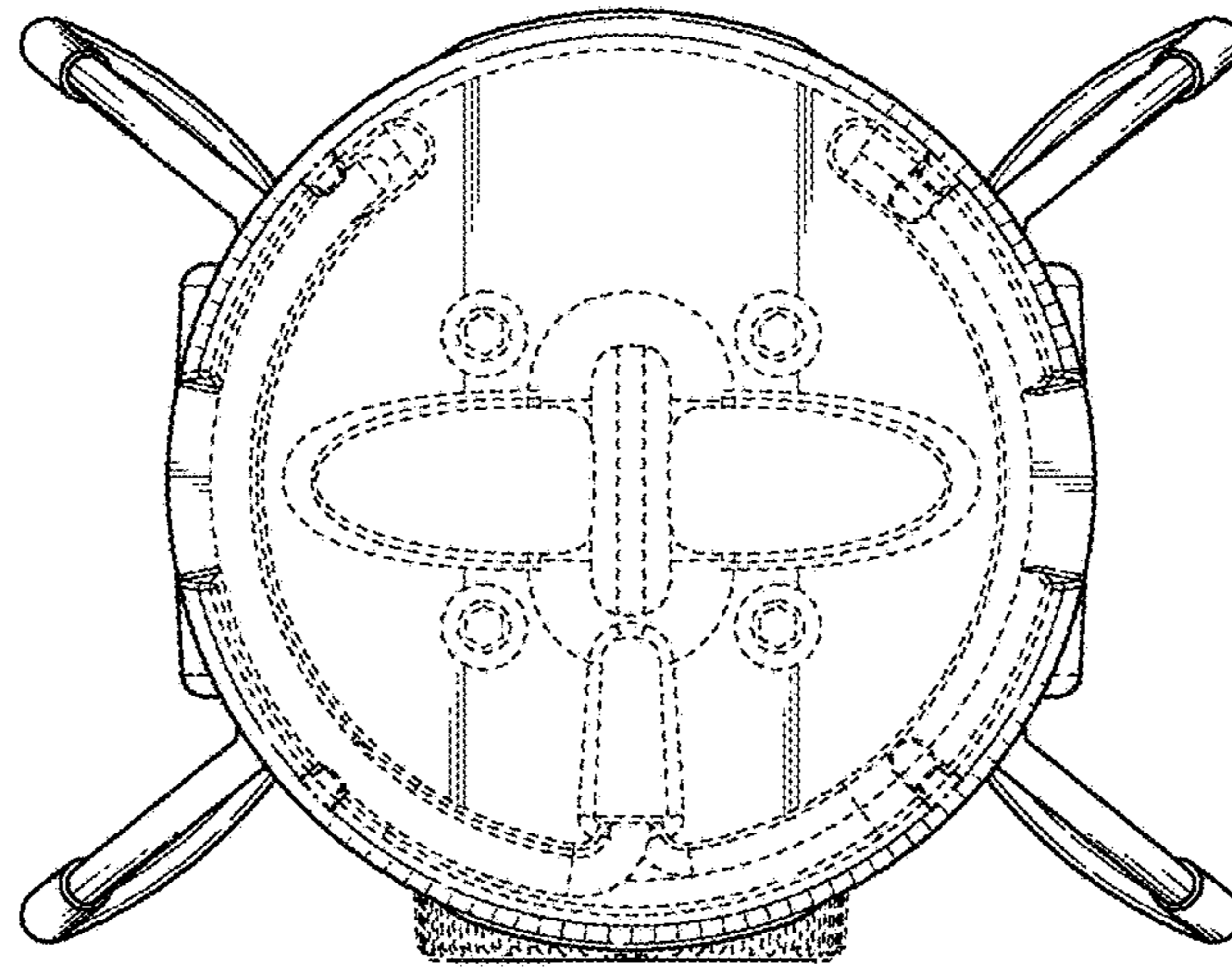


FIG. 13

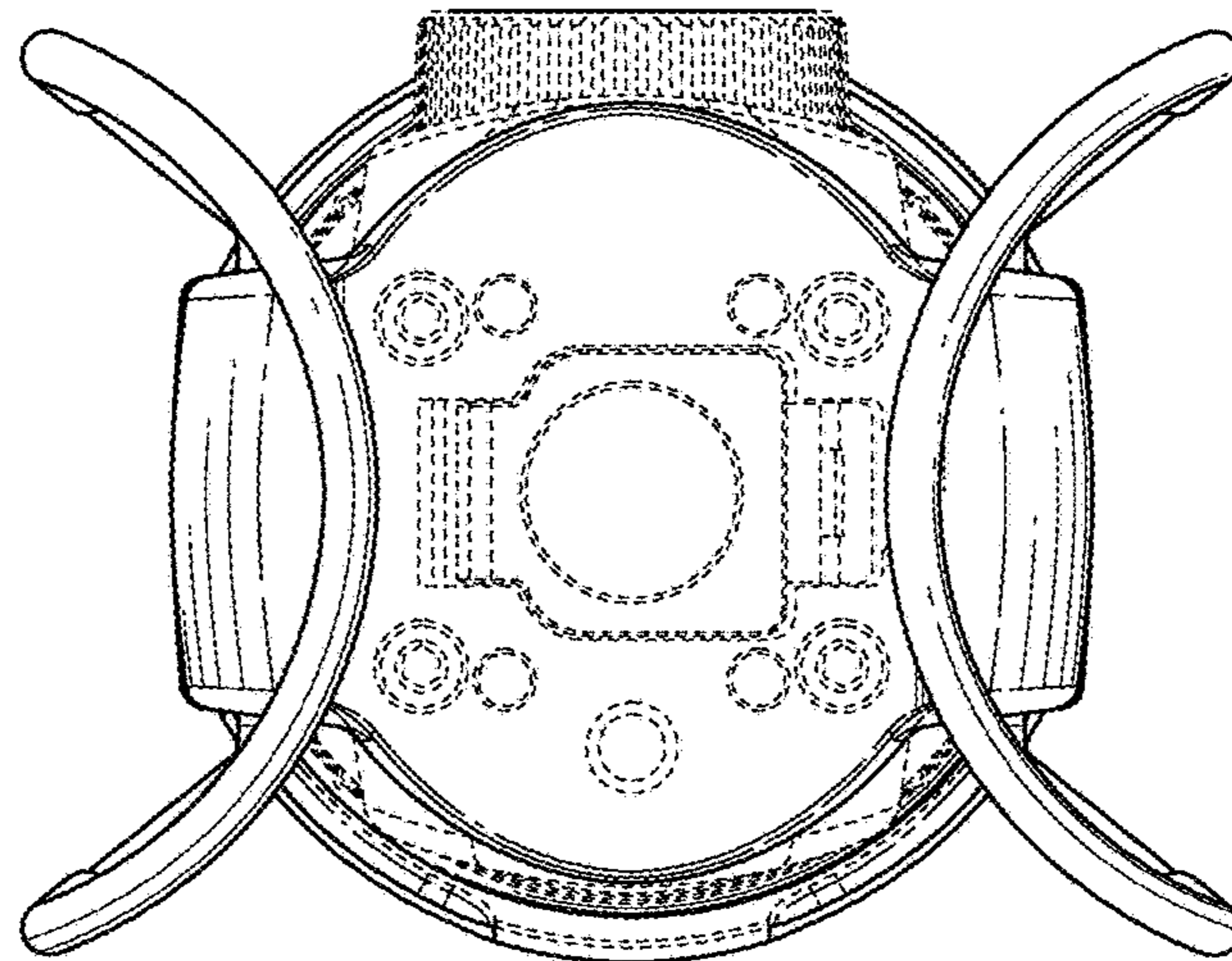


FIG. 14