



US00D809684S

(12) **United States Design Patent**  
**Wymore**

(10) **Patent No.:** **US D809,684 S**

(45) **Date of Patent:** **\*\* Feb. 6, 2018**

(54) **VEHICULAR PUSH BUMPER WITH LIGHT MOUNTING RECEPTACLES**

(71) Applicant: **Iddea California, LLC**, Brea, CA (US)

(72) Inventor: **Timothy J. Wymore**, Yorba Linda, CA (US)

(73) Assignee: **Iddea California, LLC**, Brea, CA (US)

(\*\*) Term: **15 Years**

(21) Appl. No.: **29/573,003**

(22) Filed: **Aug. 2, 2016**

(51) **LOC (11) Cl.** ..... **26-07**

(52) **U.S. Cl.**  
USPC ..... **D26/34**

(58) **Field of Classification Search**  
USPC ..... D26/28-36; 362/459-468, 475-478,  
362/485-487; D12/167, 169, 172  
CPC ..... F21S 48/00; F21S 48/10; F21S 48/115;  
F21S 48/225; F21S 48/1233; F21S  
48/1266; F21S 48/1388; F21S 48/2268;  
F21V 21/04

See application file for complete search history.

(56) **References Cited**

**U.S. PATENT DOCUMENTS**

D235,251 S *	6/1975	Asbury	.....	D12/169
D258,502 S *	3/1981	Nespor	.....	D12/169
D259,414 S *	6/1981	Miller	.....	D12/167
D300,128 S *	3/1989	Brennan	.....	D12/169
D308,037 S *	5/1990	Aiken	.....	D12/169
D343,817 S *	2/1994	Morrow	.....	D12/171

5,695,228 A	12/1997	Storer	
D418,095 S *	12/1999	Reitnouer	..... D12/169
D441,678 S *	5/2001	Lyons	..... D10/114.1
6,231,093 B1	5/2001	Storer	
6,318,773 B2	11/2001	Storer	
6,612,595 B1	9/2003	Storer	
D551,138 S	9/2007	Storer et al.	
D572,180 S	7/2008	Storer	
D577,319 S	9/2008	Storer	
8,585,107 B2	11/2013	Kekich, Jr. et al.	
D757,316 S *	5/2016	Wymore	..... D26/31
D777,954 S *	1/2017	Salami, Jr.	..... D26/28

\* cited by examiner

*Primary Examiner* — Angela J Lee

(74) *Attorney, Agent, or Firm* — Stetina Brunda Garred and Brucker

(57) **CLAIM**

The ornamental design for a vehicular push bumper with light mounting receptacles, as shown and described.

**DESCRIPTION**

FIG. 1 is a front perspective view of the vehicular push bumper with light mounting receptacles of the present invention showing my new design with the dotted lines depicting solely environmental structure and forming no part of the claimed design;

FIG. 2 is a front elevational view thereof;

FIG. 3 is a top plan view thereof;

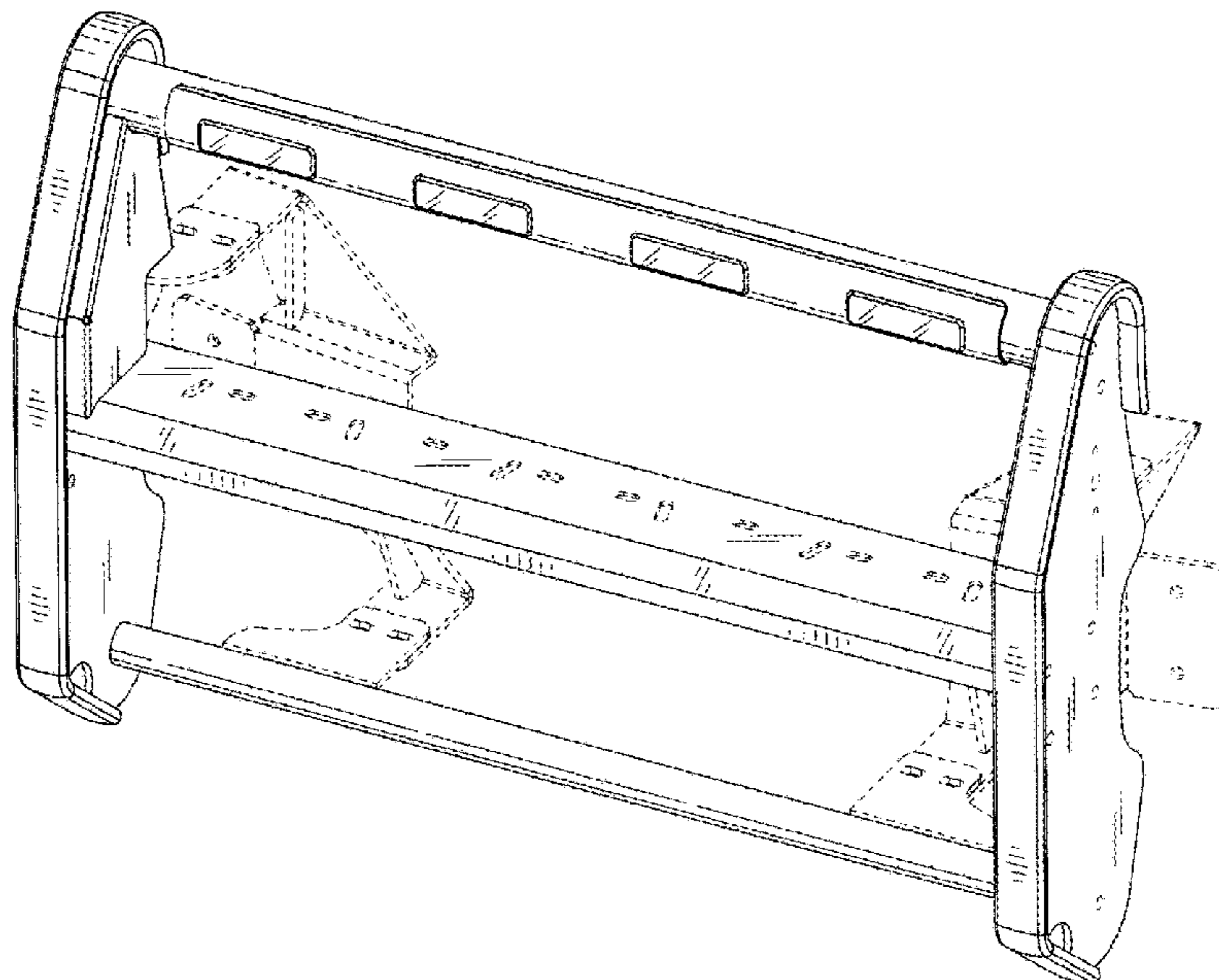
FIG. 4 is a left side view thereof;

FIG. 5 is a right side view thereof;

FIG. 6 is a rear elevational view thereof; and,

FIG. 7 is a bottom plan view thereof.

**1 Claim, 3 Drawing Sheets**



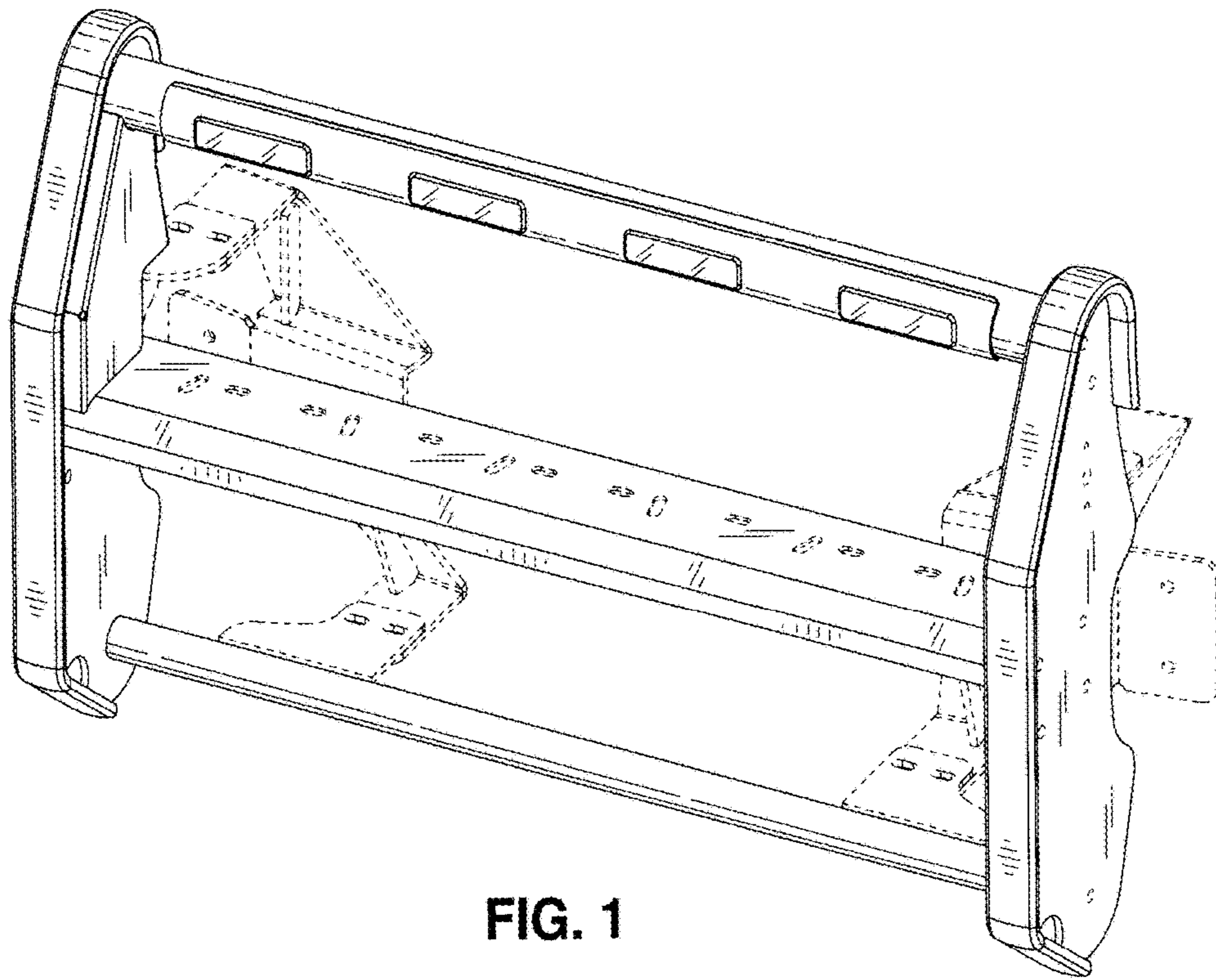


FIG. 1

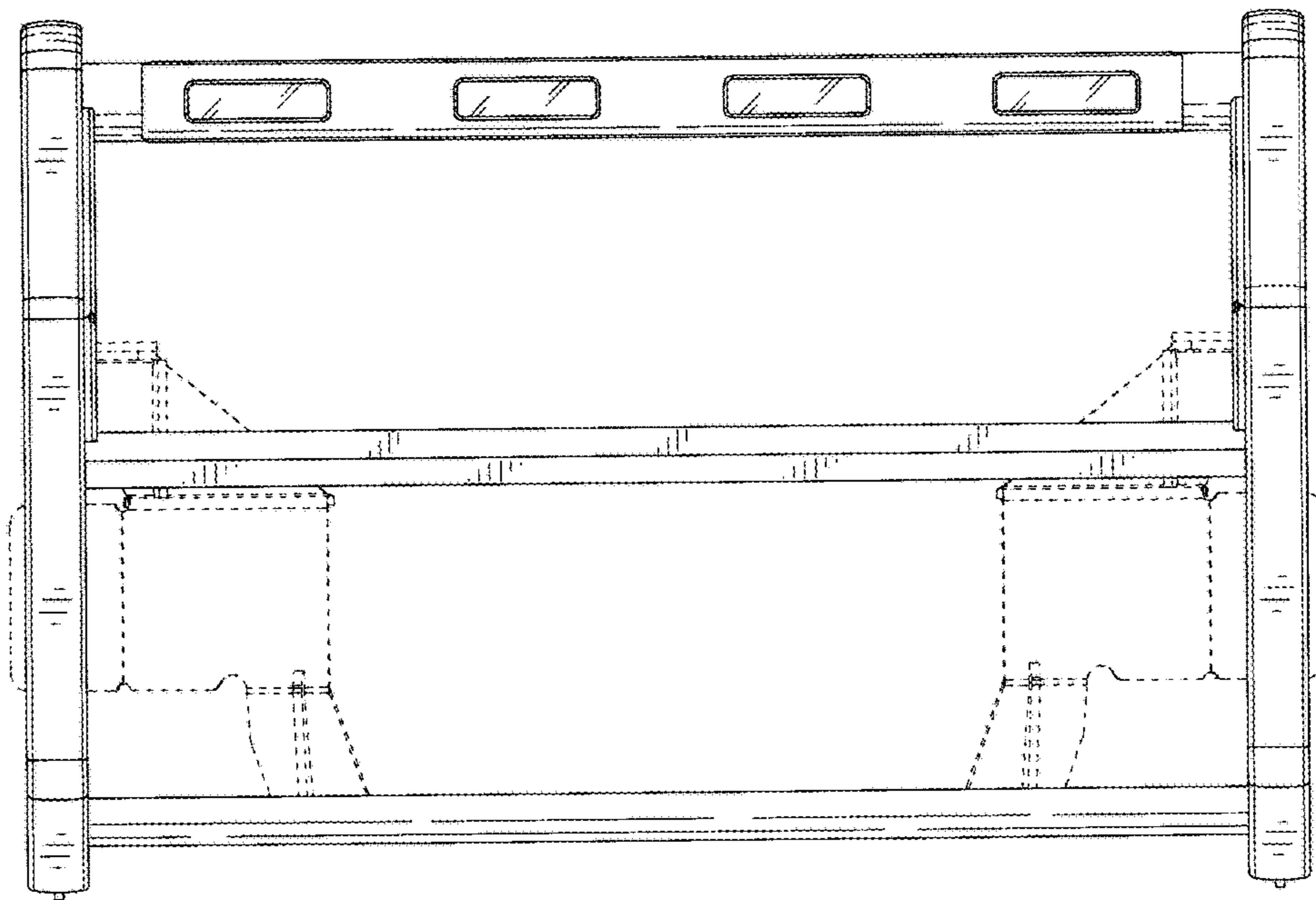


FIG. 2

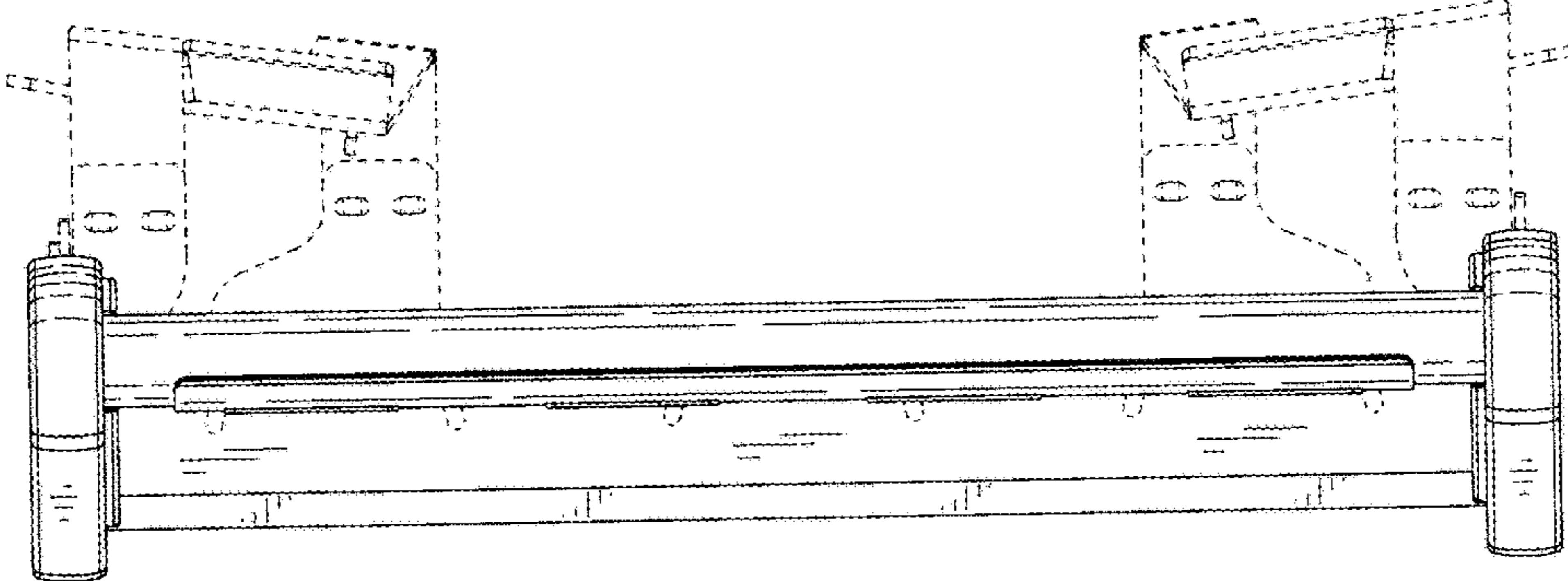


FIG. 3

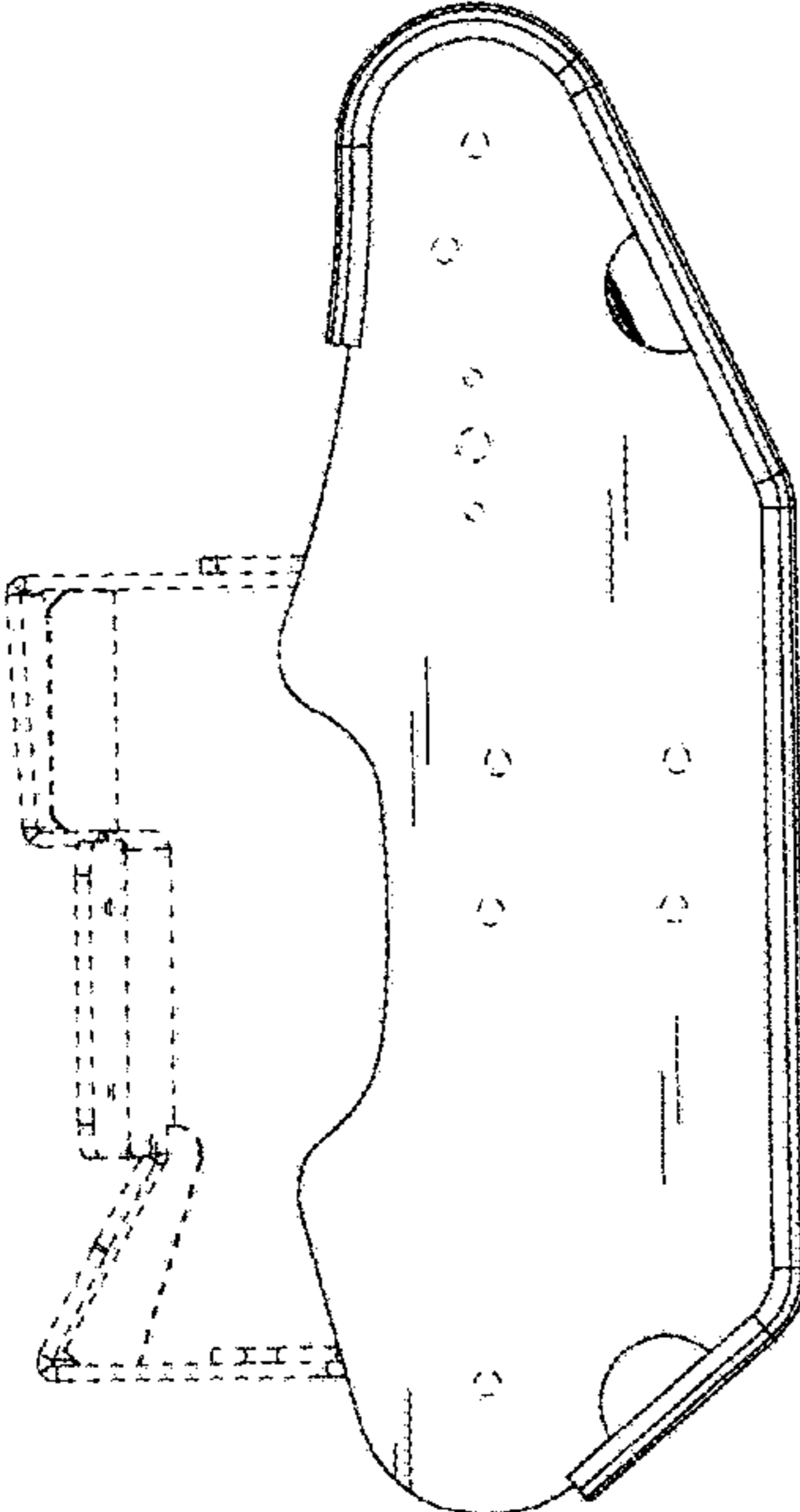


FIG. 4

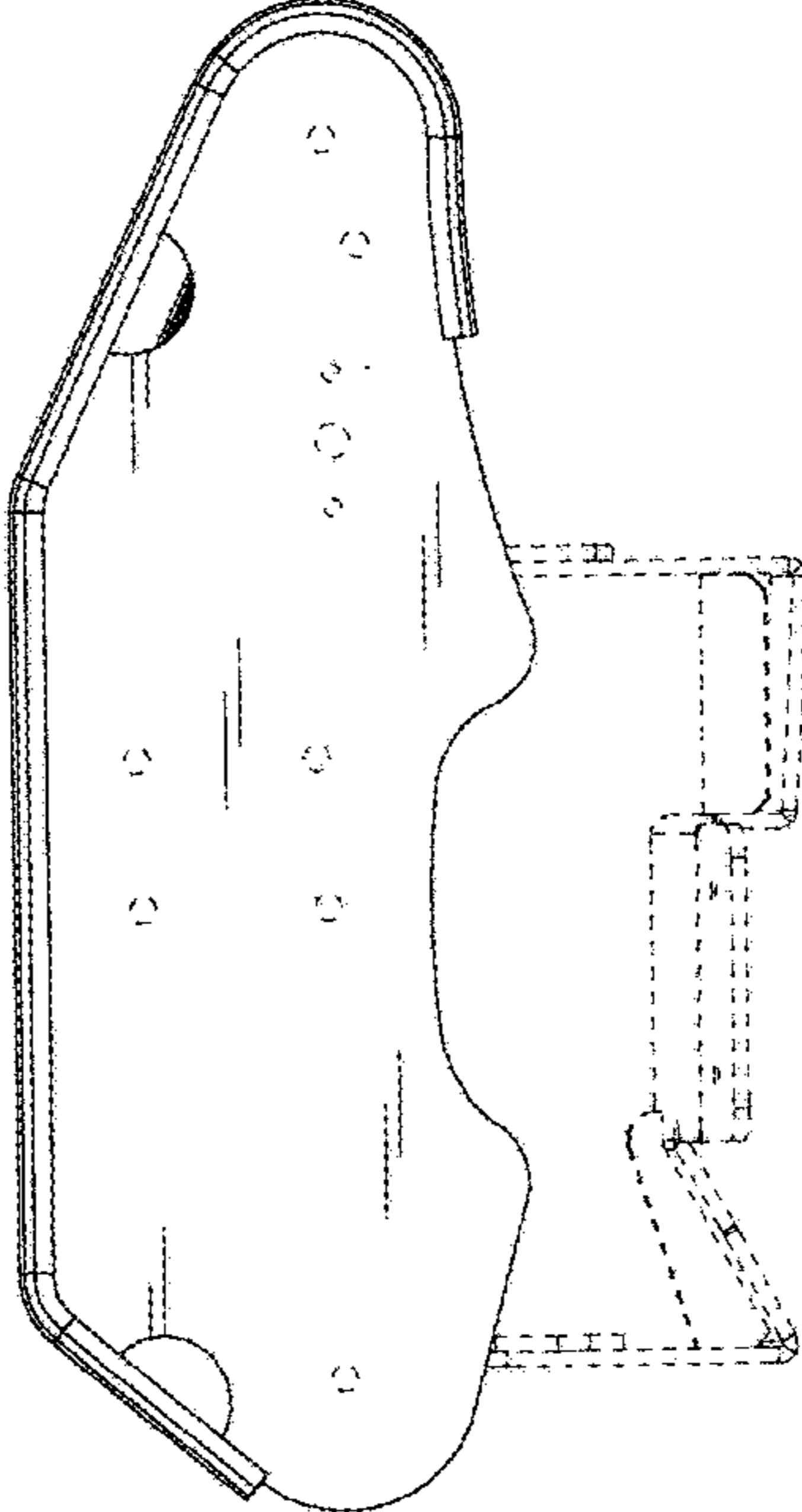


FIG. 5

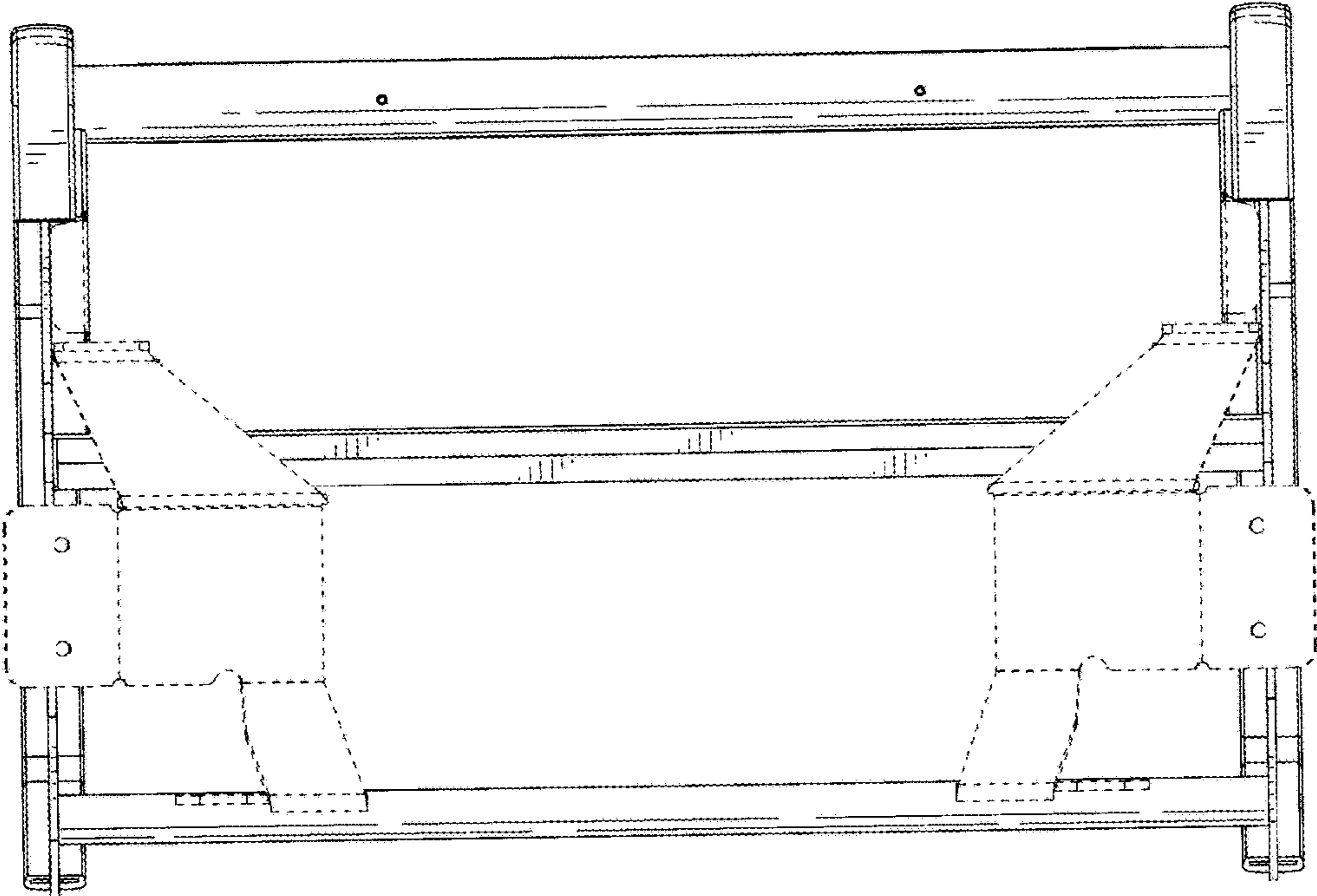


FIG. 6

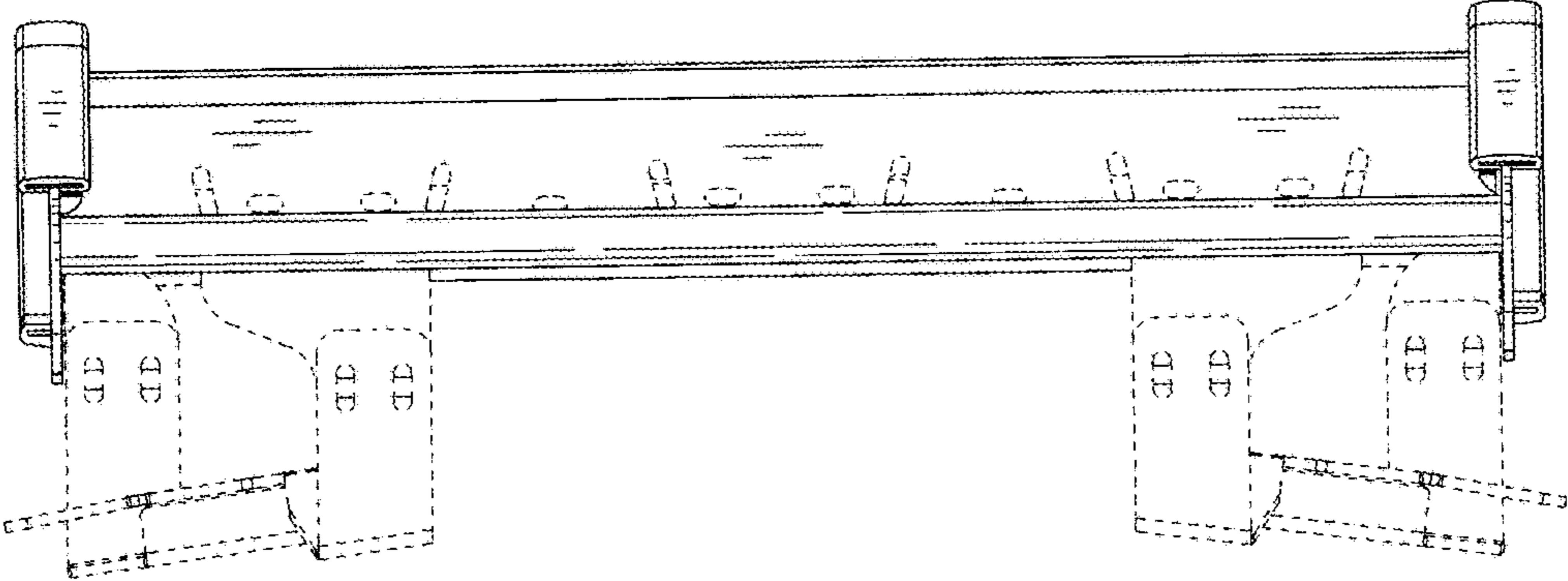


FIG. 7