



US00D809683S

(12) **United States Design Patent** (10) **Patent No.:** **US D809,683 S**
Yates (45) **Date of Patent:** **** Feb. 6, 2018**

(54) **LAMP FOR VEHICLE**
(71) Applicant: **Volvo Lastvagnar AB**, Göteborg (SE)
(72) Inventor: **Lukas Yates**, Greensboro, NC (US)
(73) Assignee: **Volvo Lastvagnar AB**, Göteborg (SE)
(**) Term: **15 Years**
(21) Appl. No.: **29/593,320**
(22) Filed: **Feb. 8, 2017**
(51) **LOC (11) Cl.** **26-07**
(52) **U.S. Cl.**
USPC **D26/28**
(58) **Field of Classification Search**
USPC D26/28-36; 362/459-468, 475-478,
362/485-487
CPC F21S 48/00; F21S 48/10; F21S 48/115;
F21S 48/225; F21S 48/1233; F21S
48/1266; F21S 48/1388; F21S 48/2268;
F21V 21/04
See application file for complete search history.

D584,839 S * 1/2009 Choi D26/28
D595,000 S * 6/2009 Kusamoto D26/28
D599,043 S * 8/2009 Dooley D26/28
D676,161 S * 2/2013 Aikawa D26/28
D676,163 S * 2/2013 Tanaka D26/28
D690,039 S * 9/2013 Wilson D26/28
D765,285 S * 8/2016 Lai D26/28
D786,461 S * 5/2017 Zhang D26/28
D796,088 S * 8/2017 McCabe D26/28

OTHER PUBLICATIONS

Images of Mack CXU Pinnacle Truck, released 2006, 2 pages.

* cited by examiner

Primary Examiner — Angela J Lee
(74) *Attorney, Agent, or Firm* — Tucker Ellis LLP

(57) **CLAIM**

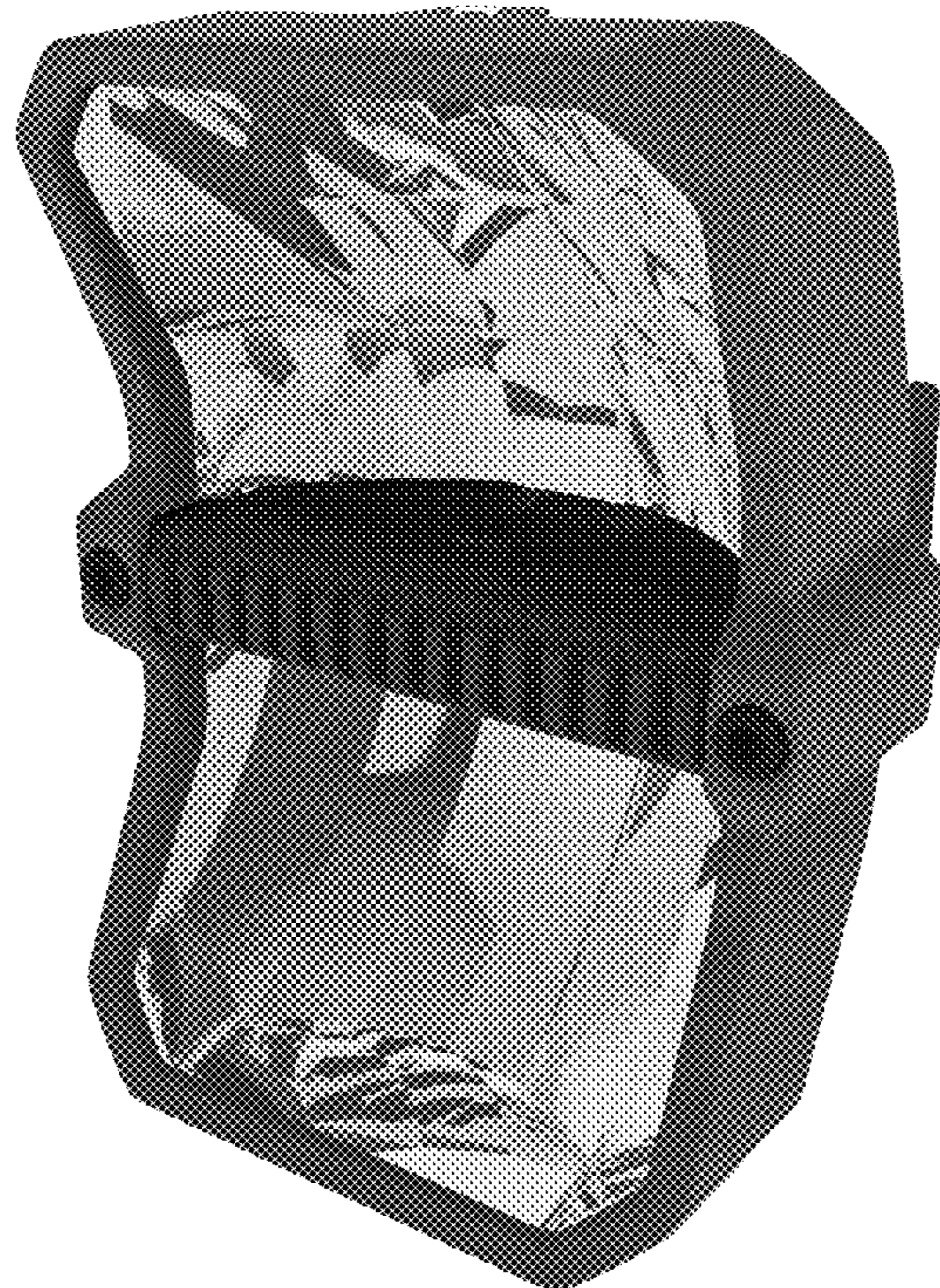
The ornamental design for a lamp for vehicle, as shown and described.

DESCRIPTION

FIG. 1 is a perspective view of a lamp for vehicle showing my new design.
FIG. 2 is a front view thereof.
FIG. 3 is a rear view thereof.
FIG. 4 is a left side view thereof.
FIG. 5 is a right side view thereof.
FIG. 6 is a top view thereof; and,
FIG. 7 is a bottom view thereof.

1 Claim, 7 Drawing Sheets

(56) **References Cited**
U.S. PATENT DOCUMENTS
D497,017 S * 10/2004 He D26/28
D500,374 S * 12/2004 Reiss D26/28
D540,967 S * 4/2007 Rogers D26/28
D542,444 S * 5/2007 Rogers D26/28



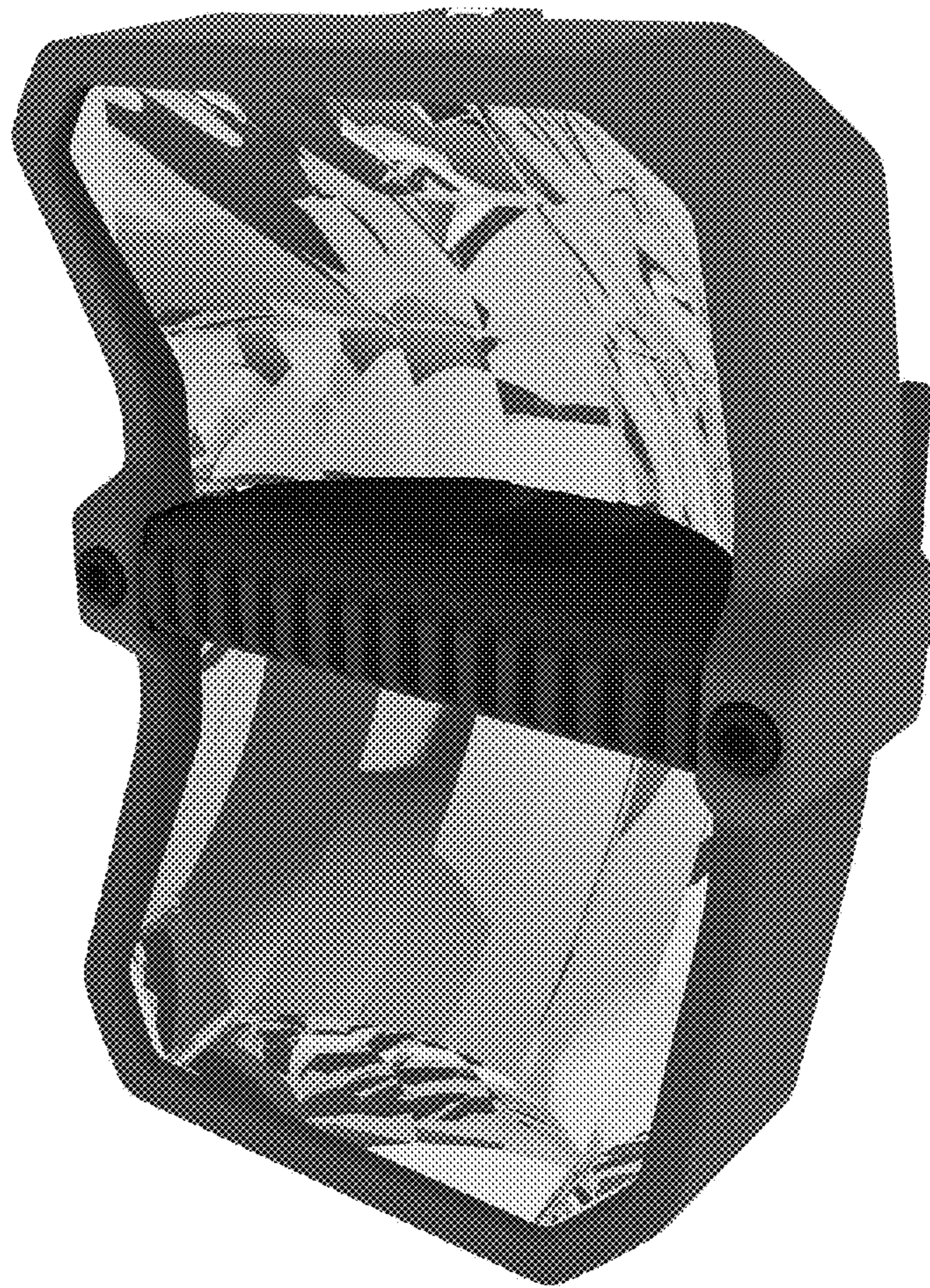


FIG. 1

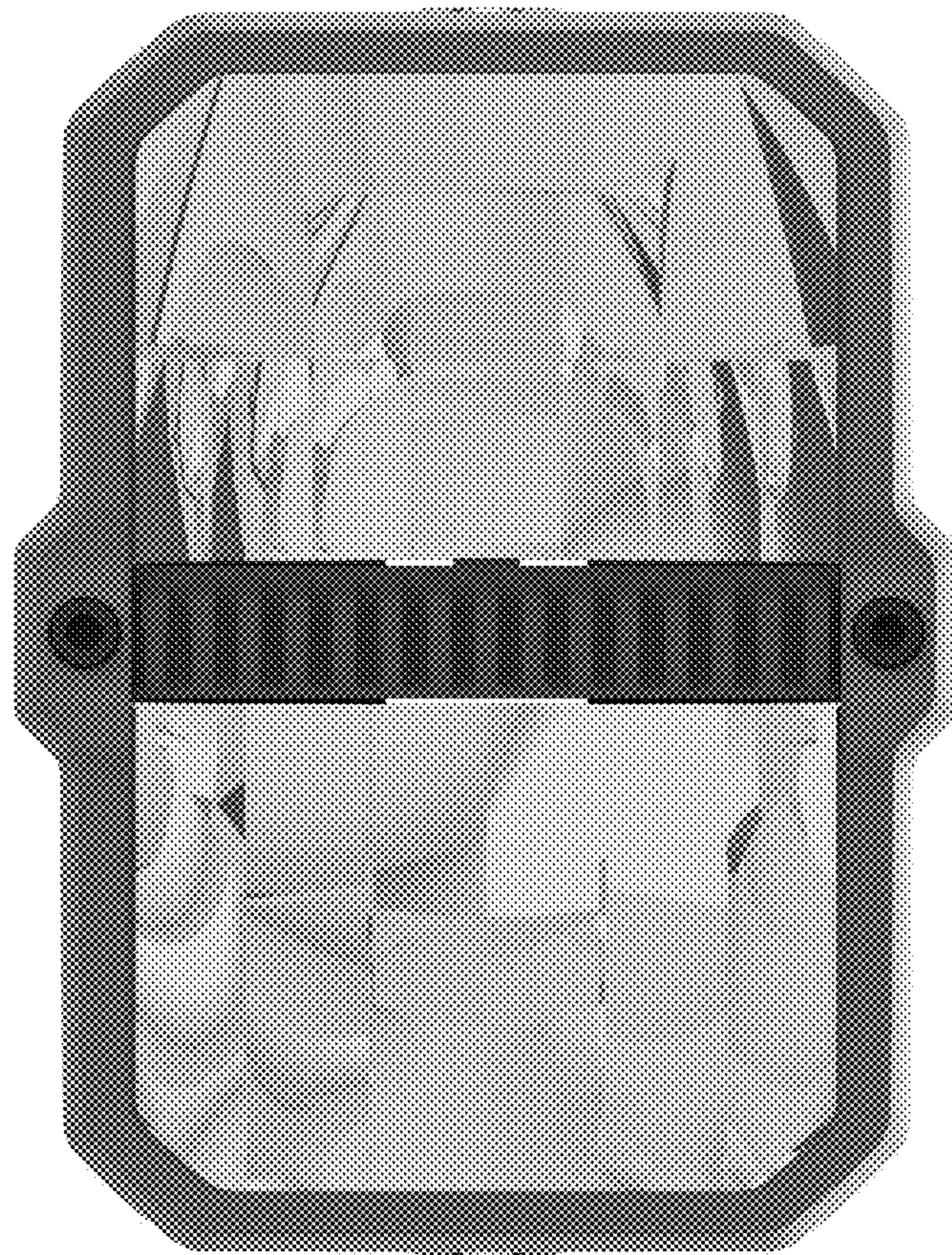


FIG. 2

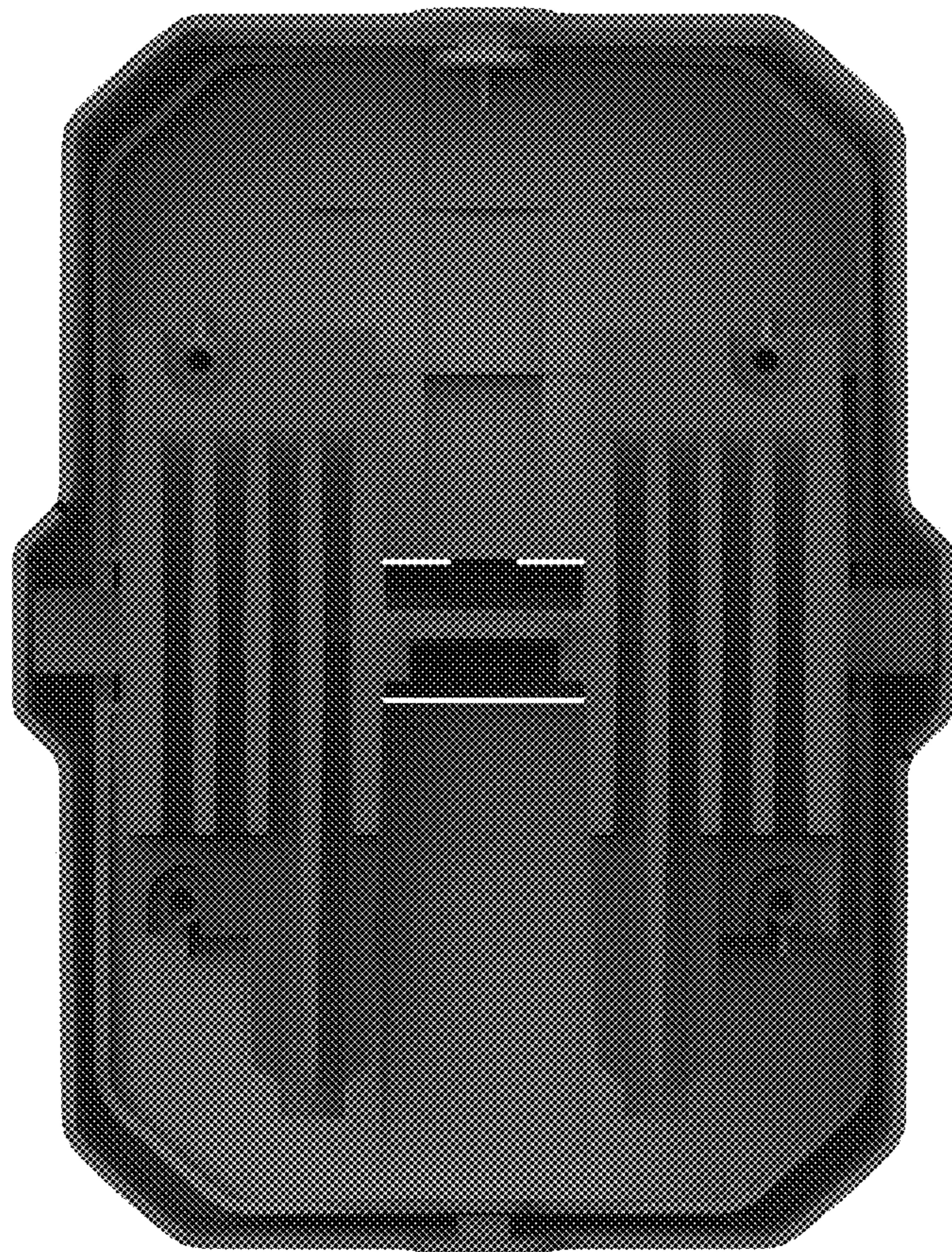


FIG. 3

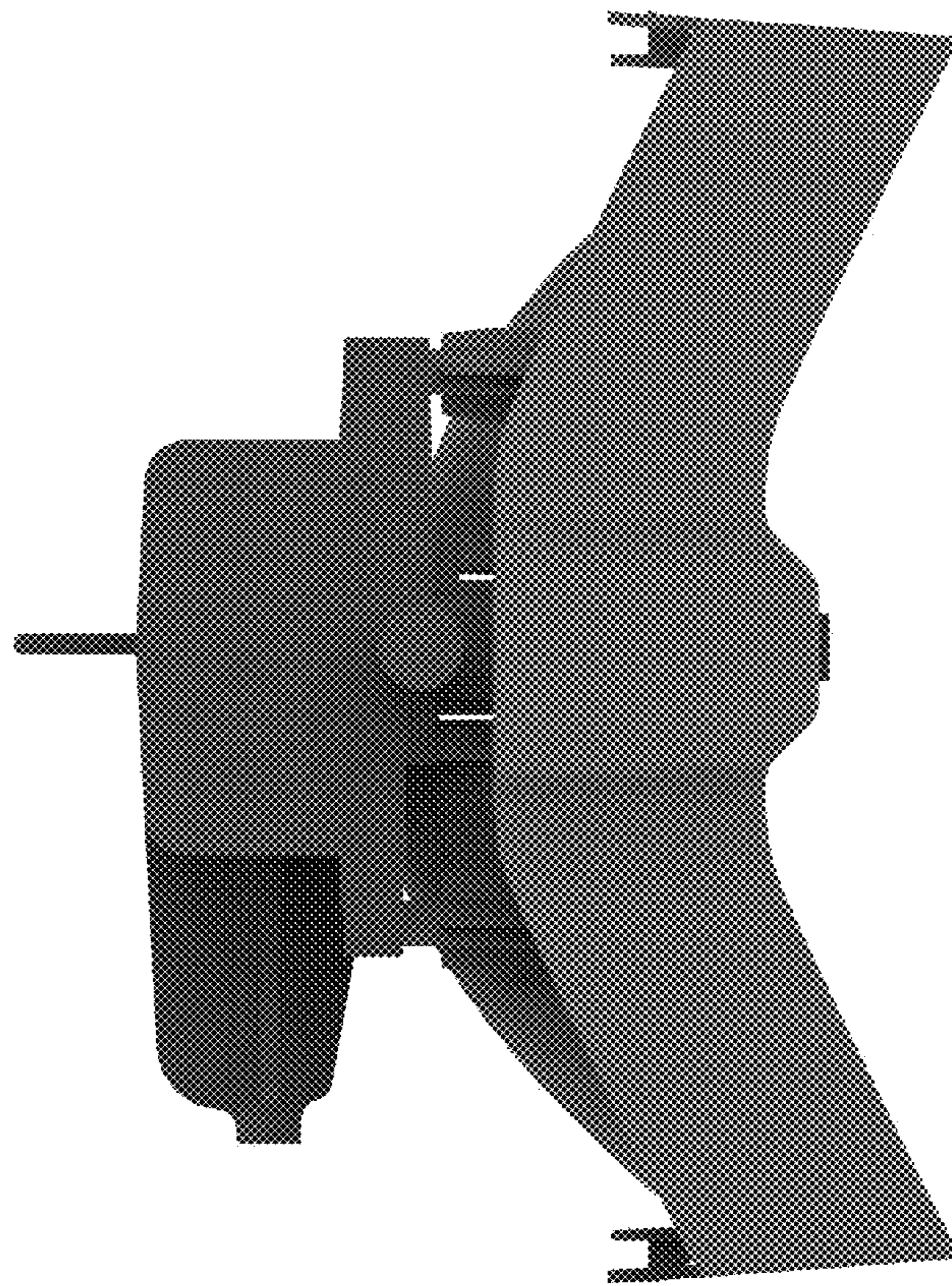


FIG. 4

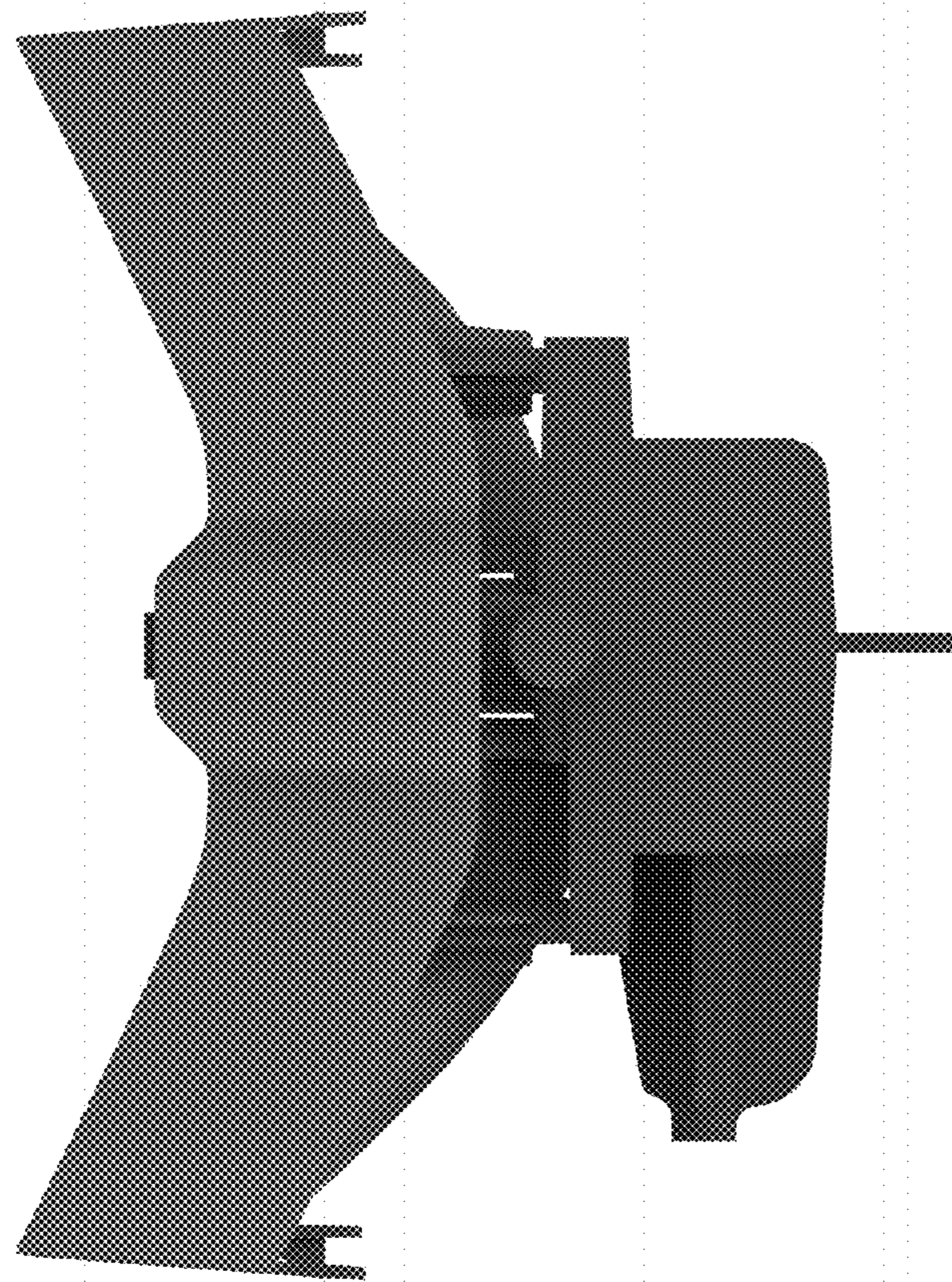


FIG. 5

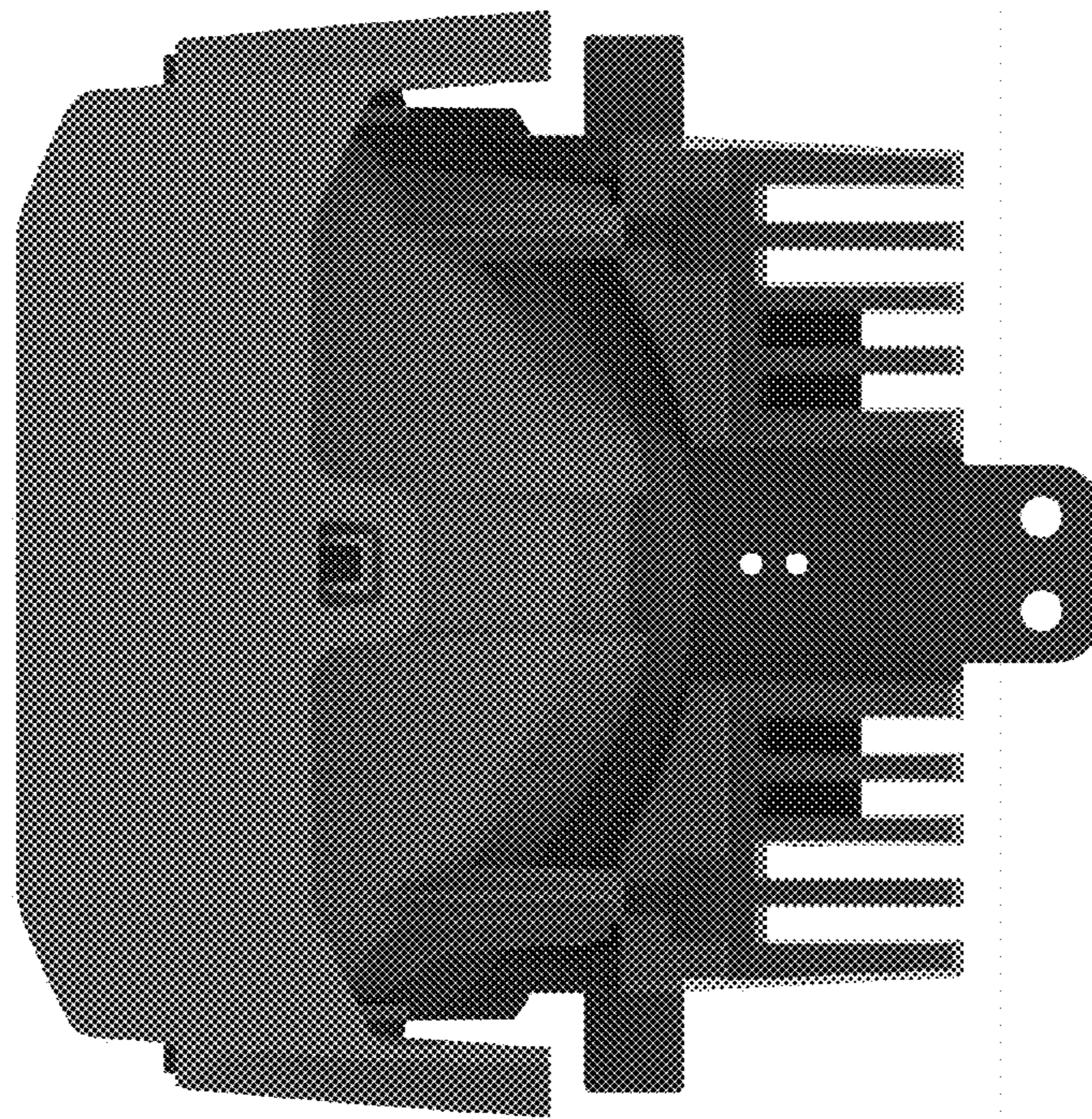


FIG. 6

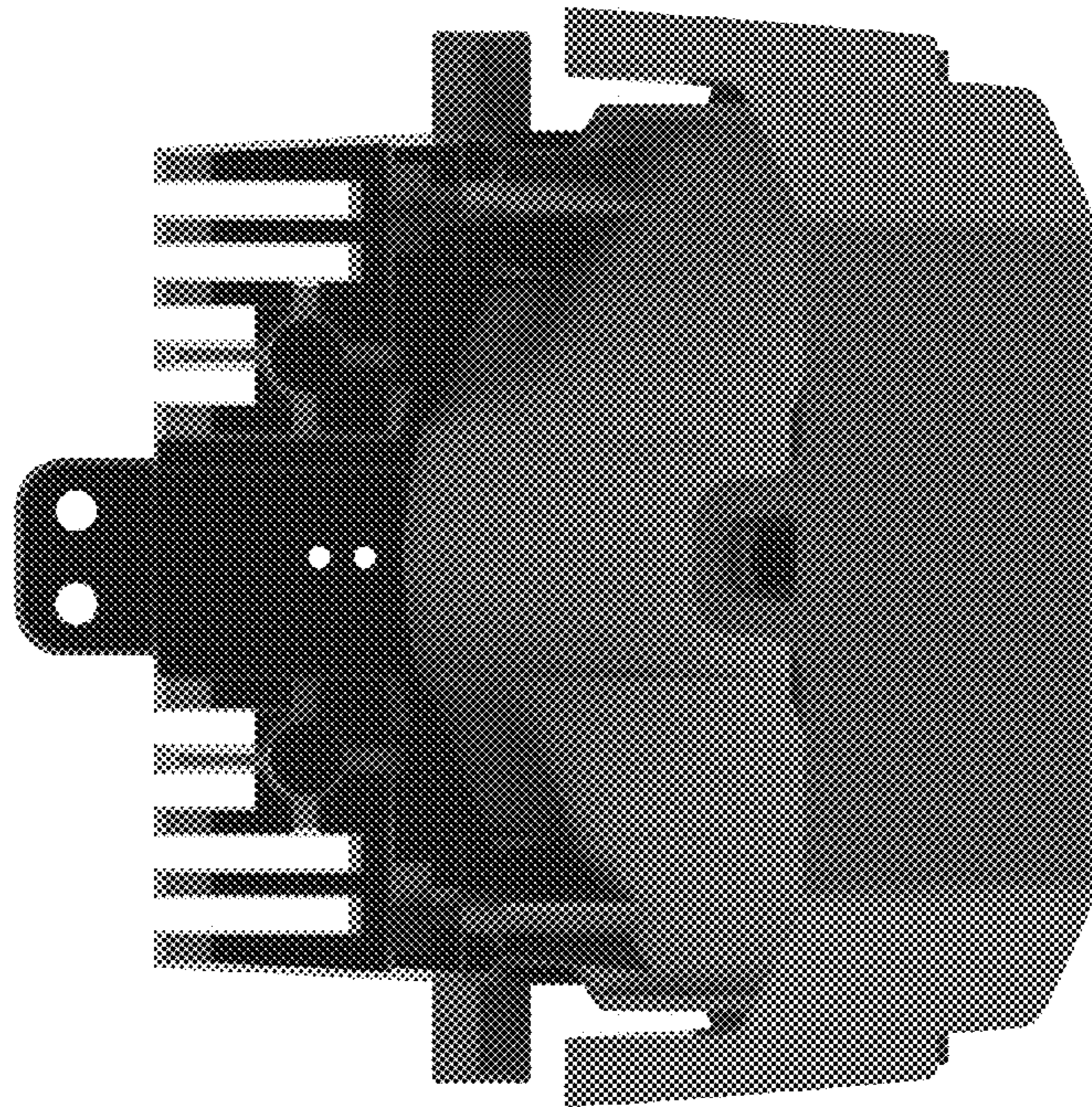


FIG. 7