



US00D809682S

(12) **United States Design Patent**
Lin

(10) **Patent No.:** **US D809,682 S**
(45) **Date of Patent:** **** Feb. 6, 2018**

(54) **VEHICLE HEADLIGHT**

(56) **References Cited**

(71) Applicant: **KUEN HWA TRAFFIC INDUSTRIAL CO., LTD.**, Tainan (TW)

(72) Inventor: **Yung-Hsiang Lin**, Tainan (TW)

(73) Assignee: **Kuen Hwa Traffic Industrial Co., Ltd.**, Tainan (TW)

(**) Term: **15 Years**

(21) Appl. No.: **29/583,339**

(22) Filed: **Nov. 4, 2016**

(51) **LOC (11) Cl.** **26-06**

(52) **U.S. Cl.**
USPC **D26/28**

(58) **Field of Classification Search**
USPC D26/28-36; 362/80-83, 267-269, 362/459-468, 475-478, 485-487
CPC F21S 48/00; F21S 48/10; F21S 48/115; F21S 48/225; F21S 48/1233; F21S 48/1266; F21S 48/1388; F21S 48/2268; F21V 21/04

See application file for complete search history.

U.S. PATENT DOCUMENTS

D674,938 S *	1/2013	Lai	D26/28
D674,941 S *	1/2013	Lai	D26/28
D691,298 S *	10/2013	Binder	D26/28
D743,071 S *	11/2015	Kao	D26/28
D750,818 S *	3/2016	Lin	D26/28
D751,737 S *	3/2016	Lai	D26/28
D761,463 S *	7/2016	Lai	D26/28

* cited by examiner

Primary Examiner — Marcus Jackson

(74) *Attorney, Agent, or Firm* — Rosenberg, Klein & Lee

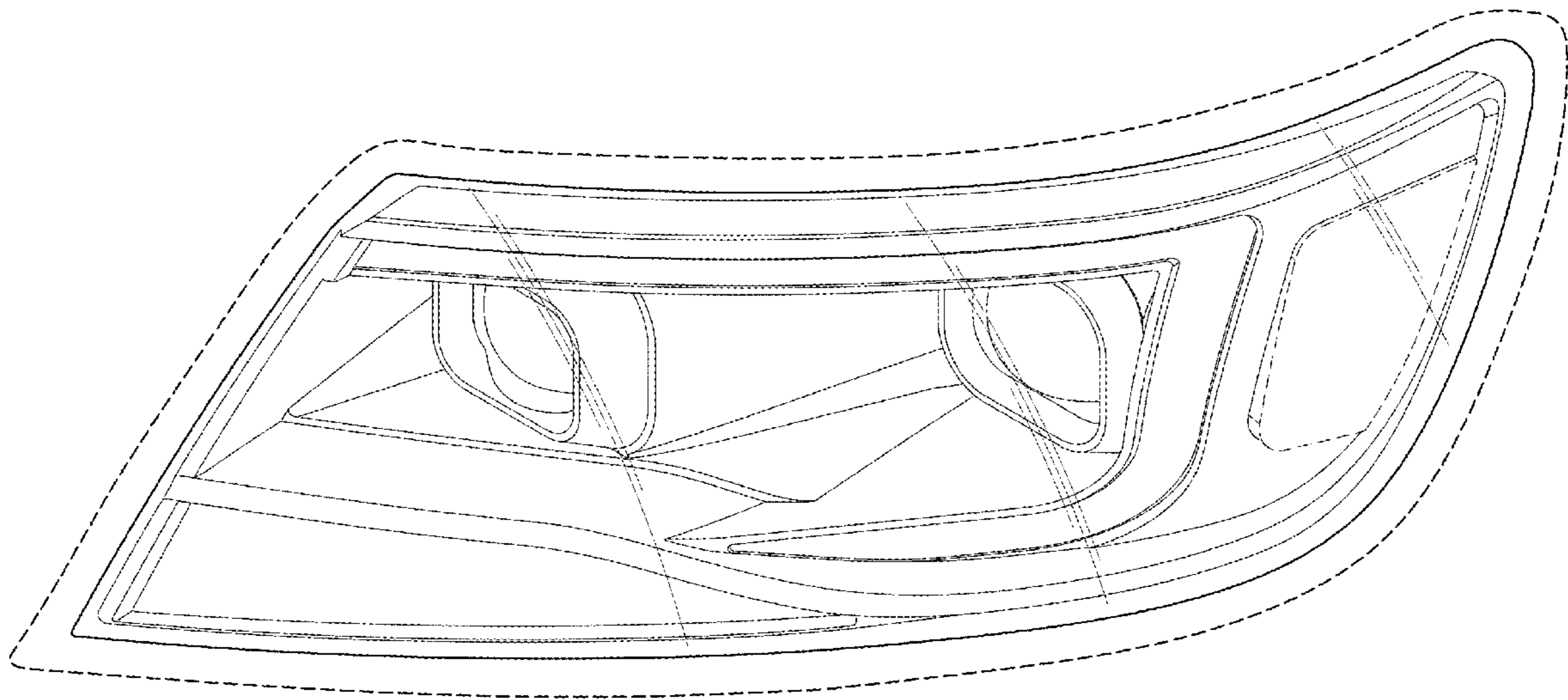
(57) **CLAIM**

The ornamental design for a vehicle headlight, as shown and described.

DESCRIPTION

FIG. 1 is a perspective view of a vehicle headlight showing my present design; FIG. 2 is a front view thereof; FIG. 3 is a right view thereof; FIG. 4 is a top plan view thereof; and, FIG. 5 is another perspective view thereof. The broken lines in the drawings illustrate portions of the vehicle headlight and form no part of the claimed design.

1 Claim, 5 Drawing Sheets



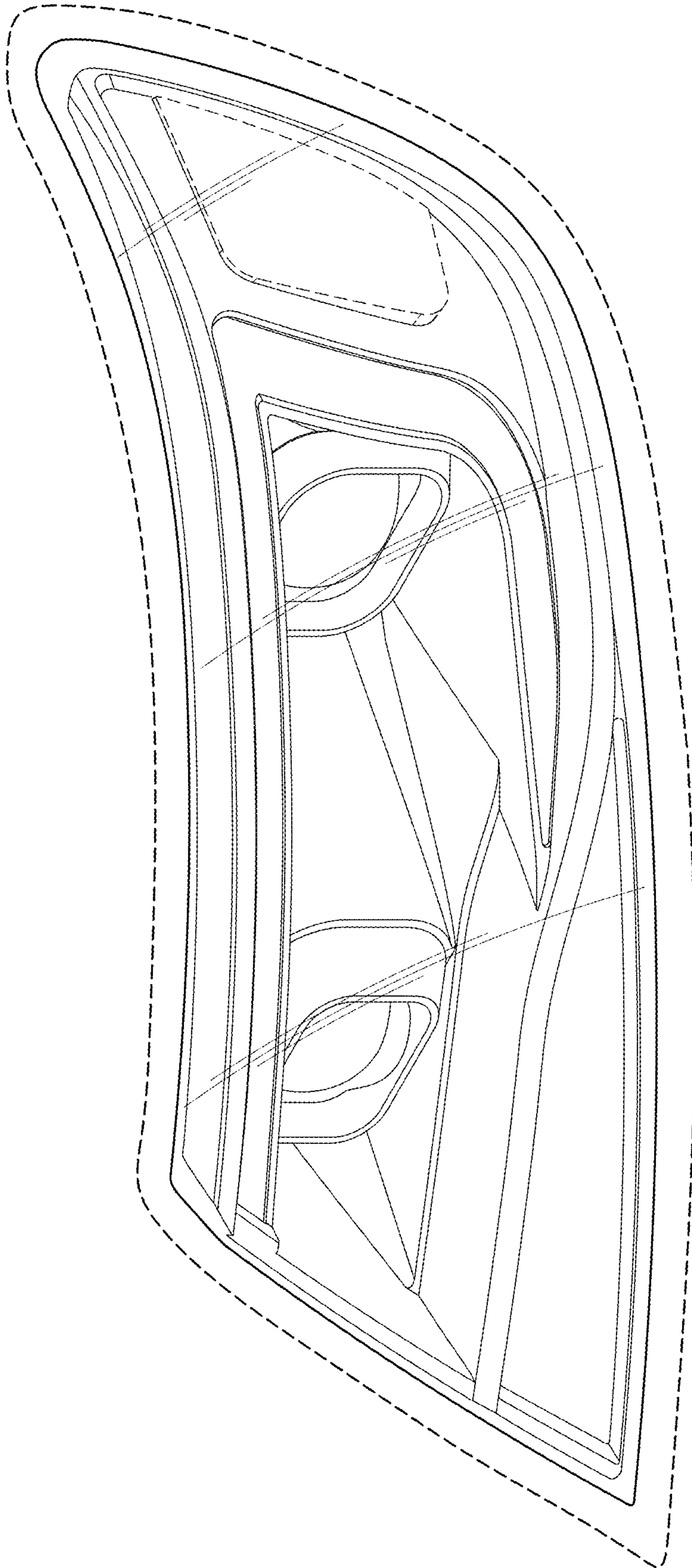


FIG. 1

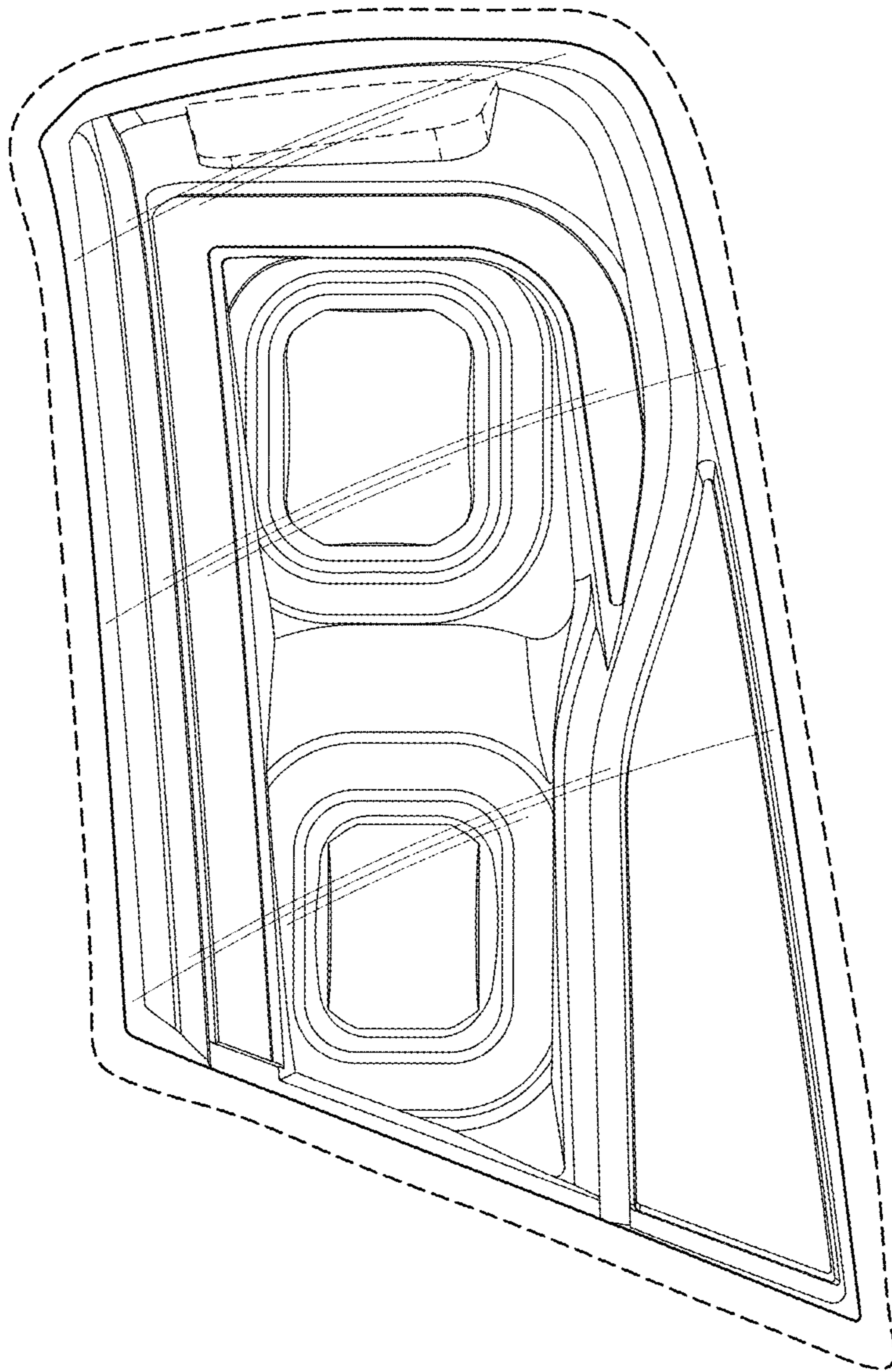


FIG. 2

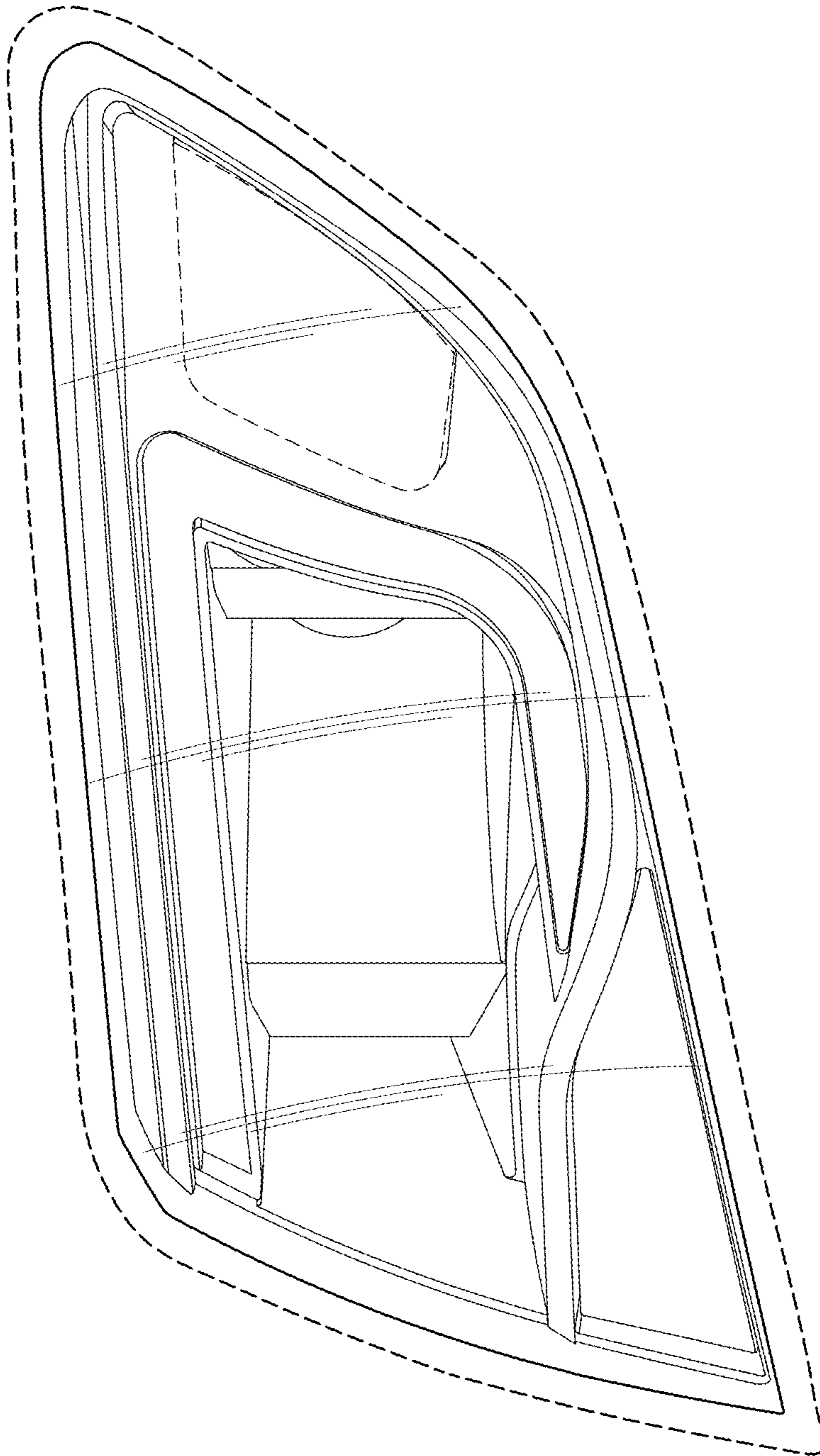


FIG. 3

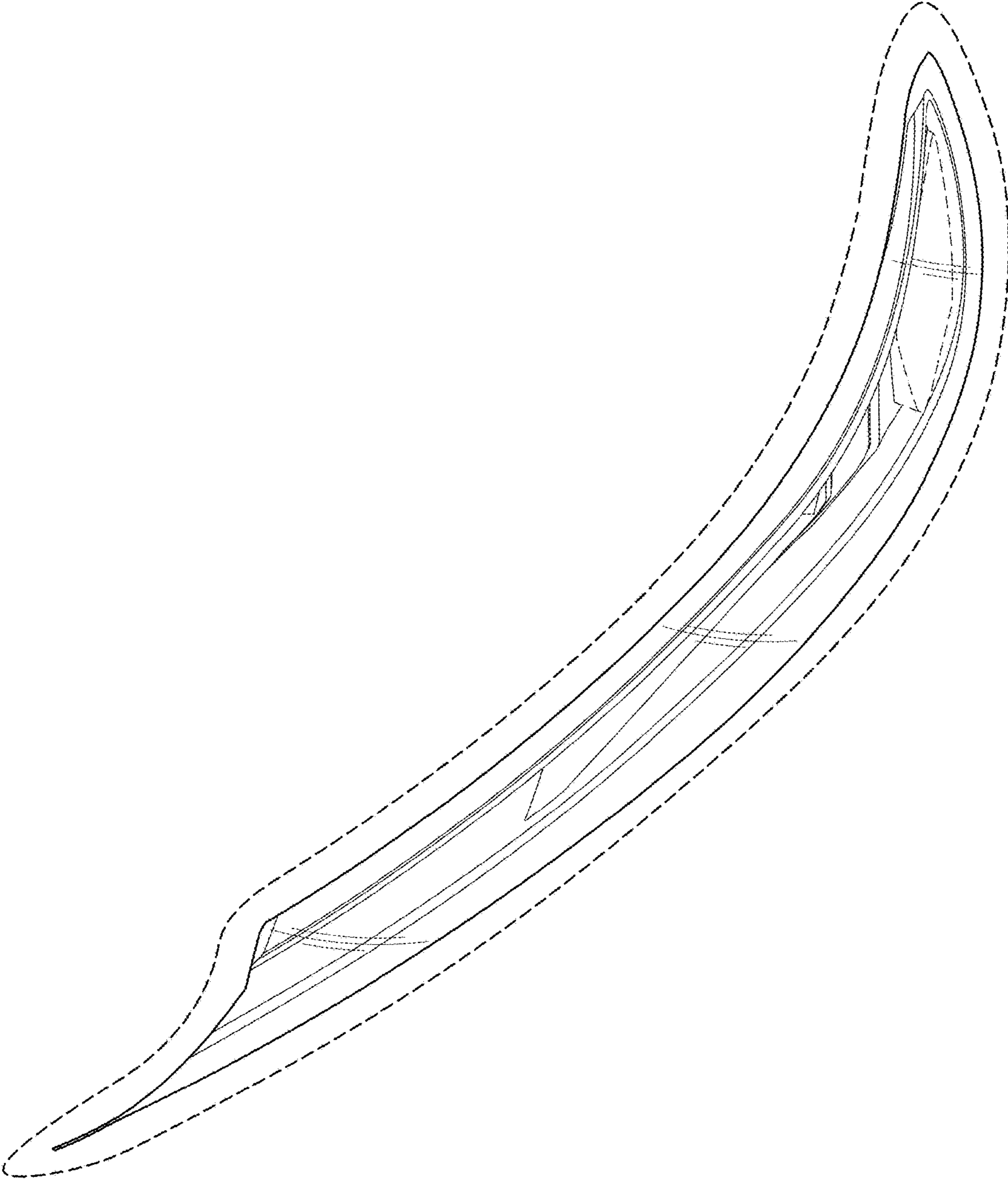


FIG . 4

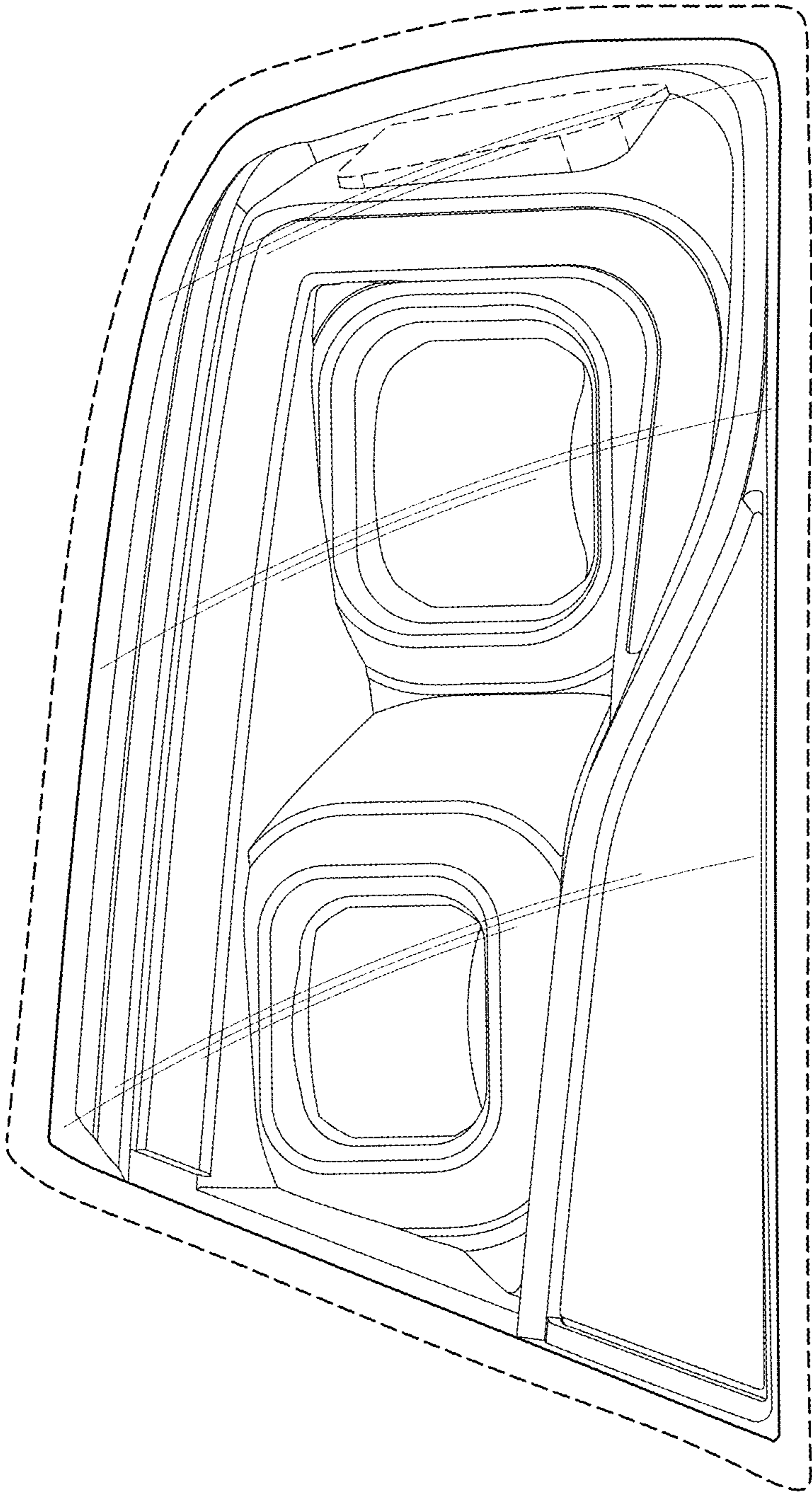


FIG. 5