



US00D809676S

(12) **United States Design Patent** (10) **Patent No.:** **US D809,676 S**
Williams (45) **Date of Patent:** **** *Feb. 6, 2018**

(54) **WALL BASE WITH GROOVE AND CURVED LOWER SECTION**

D135,948 S 7/1943 Caplan
3,365,854 A 1/1968 Gallo
4,565,041 A 1/1986 Wendt

(Continued)

(71) Applicant: **VPI Corporation**, Sheboygan, WI (US)

(72) Inventor: **Jeremy Williams**, Elkhart Lake, WI (US)

(73) Assignee: **VPI CORPORATION**, Sheboygan, WI (US)

(*) Notice: This patent is subject to a terminal disclaimer.

(**) Term: **15 Years**

(21) Appl. No.: **29/555,915**

(22) Filed: **Feb. 25, 2016**

(51) **LOC (11) Cl.** **25-01**

(52) **U.S. Cl.**
USPC **D25/136**; D25/119; D25/164

(58) **Field of Classification Search**
USPC D25/55, 58, 102, 113–115, 119, 136, D25/138, 139–144, 153, 156–157, 159, D25/163, 164, 199; D6/332
CPC E04B 1/62; E04B 1/68; E04B 2/08; E04B 2/18; E04B 2/28; E04B 2/30; E04B 2002/0215; E04B 2002/0297; E04C 5/04; E04F 19/02; E04F 19/022; E04F 19/026; E04F 19/028; E04F 19/04; E04F 19/0436; E04F 19/0481; E04F 19/0486; E04F 19/06; E04F 19/061
See application file for complete search history.

(56) **References Cited**

U.S. PATENT DOCUMENTS

1,070,273 A 6/1913 Maclean
1,585,960 A 5/1926 Baum
1,943,168 A 1/1934 Doppel

OTHER PUBLICATIONS

Burke Flooring—Profiles Designer Wall Base product data page; retrieved from internet url: http://www.burkeflooring.com/products/wall_base_profiles.php; Copyright 2010; 2 pages.

(Continued)

Primary Examiner — Cynthia Ramirez

Assistant Examiner — L. Martinez-Rivera

(74) *Attorney, Agent, or Firm* — Husch Blackwell LLP

(57) **CLAIM**

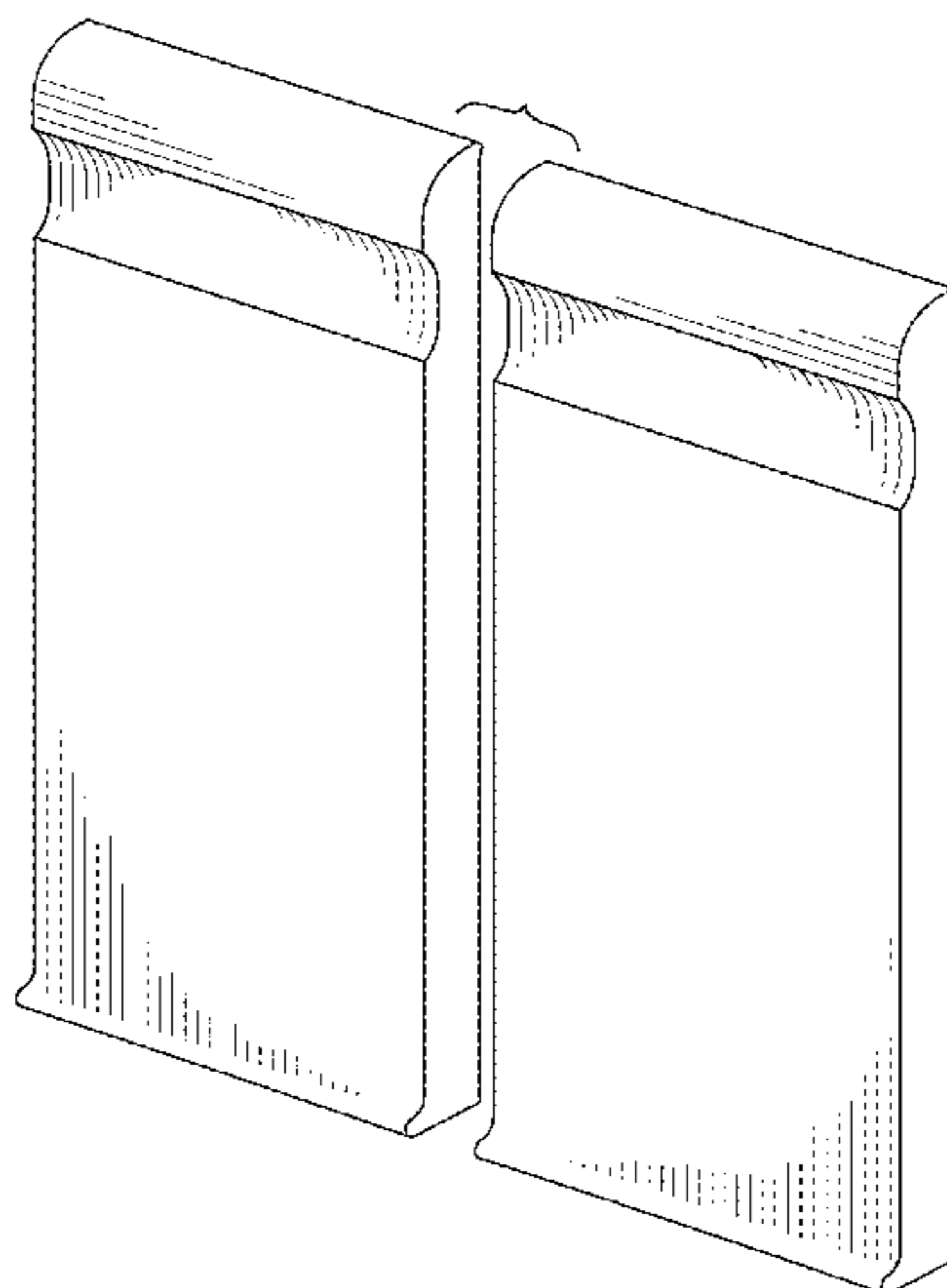
The ornamental design for a wall base with groove and curved lower section, as shown and described.

DESCRIPTION

FIG. 1 is a perspective view of the wall base with groove and curved lower section, according to the invention; FIG. 2 is a top end view of the wall base with groove and curved lower section shown in FIG. 1; FIG. 3 is a front view of the wall base with groove and curved lower section shown in FIG. 1; FIG. 4 is a side view of the wall base with groove and curved lower section shown in FIG. 1; FIG. 5 is a rear view of the wall base with groove and curved lower section shown in FIG. 1; FIG. 6 is a side view of the wall base with groove and curved lower section shown in FIG. 1, shown from the opposite side of that shown in FIG. 4; and, FIG. 7 is a bottom end view of the wall base with groove and curved lower section shown in FIG. 1.

The wall base with groove and curved lower section is shown with a symbolic break in its length. The appearance of any portion of the wall base with groove and curved lower section between the break lines forms no part of the claimed design.

1 Claim, 3 Drawing Sheets



(56)

References Cited

U.S. PATENT DOCUMENTS

D287,082 S 12/1986 Gambon
 D296,136 S 6/1988 Dreiling
 D350,405 S * 9/1994 Crossley D25/136
 5,409,653 A 4/1995 Malm
 D371,609 S 7/1996 Pelosi et al.
 5,598,681 A 2/1997 DiGianni
 5,681,652 A 10/1997 Cope
 5,752,356 A 5/1998 Miklavic
 5,943,829 A 8/1999 Wilson
 D416,632 S 11/1999 Pelosi, Jr.
 6,115,982 A 9/2000 Lindenberg
 6,189,276 B1 2/2001 Pinto et al.
 D447,579 S 9/2001 Lehrkamp
 6,282,856 B1 9/2001 Mackarvich
 D474,548 S * 5/2003 Glatz D25/136
 D481,137 S * 10/2003 Glatz D25/136
 D483,882 S 12/2003 Glatz
 D483,883 S * 12/2003 Glatz D25/136
 D483,884 S 12/2003 Glatz
 D484,253 S * 12/2003 Glatz D25/136
 D484,254 S 12/2003 Glatz
 D485,622 S 1/2004 Sudano
 D486,589 S 2/2004 Knapp
 D486,590 S 2/2004 Knapp
 D489,831 S * 5/2004 Glatz D25/136
 D491,283 S * 6/2004 Glatz D25/136
 D493,895 S * 8/2004 Glatz D25/136
 D494,057 S 8/2004 Hightower
 D499,192 S * 11/2004 Glatz D25/136
 D499,193 S * 11/2004 Glatz D25/136
 D499,816 S 12/2004 Eichner et al.
 D499,818 S 12/2004 Glatz
 D500,149 S * 12/2004 Glatz D25/136
 D500,371 S * 12/2004 Glatz D25/136
 D500,869 S * 1/2005 Glatz D25/136
 D510,145 S * 9/2005 Folliard D25/119
 D511,216 S 11/2005 Folliard
 D514,236 S * 1/2006 Glatz D25/136
 D517,223 S * 3/2006 Folliard D25/119
 D529,196 S 9/2006 Folliard
 D529,197 S 9/2006 Folliard
 D529,198 S 9/2006 Folliard
 D529,199 S 9/2006 Folliard
 D529,631 S 10/2006 Folliard
 D529,632 S 10/2006 Folliard
 D561,916 S 2/2008 Visintin
 D562,466 S 2/2008 Visintin
 D579,124 S 10/2008 Sauter et al.
 D579,578 S 10/2008 Chaney et al.
 D579,579 S 10/2008 Chaney et al.
 D586,004 S 2/2009 Sauter et al.
 D604,341 S 11/2009 Busalt et al.
 D623,770 S * 9/2010 Johnston D25/136
 D629,125 S 12/2010 Johnston
 D634,026 S 3/2011 Baccarini
 7,914,878 B2 3/2011 Carnes et al.
 D638,287 S 5/2011 Tedesco et al.
 D666,326 S 8/2012 Sims
 D676,153 S 2/2013 Johnston

D676,154 S * 2/2013 Johnston E04F 19/04
 D25/124
 D676,155 S 2/2013 Johnston
 D676,157 S 2/2013 Johnston
 D676,158 S 2/2013 Johnston
 D679,380 S 4/2013 Gori et al.
 D686,757 S * 7/2013 Johnston D25/119
 8,534,017 B1 9/2013 Schroeter
 D698,943 S * 2/2014 Johnston D25/119
 D703,294 S 4/2014 Witkowski et al.
 D720,474 S 12/2014 Gori et al.
 D720,475 S 12/2014 Gori et al.
 D720,865 S * 1/2015 Gori D25/119
 D720,866 S * 1/2015 Gori D25/119
 D720,867 S * 1/2015 Agyin D25/119
 D721,189 S * 1/2015 Gori D25/119
 D729,949 S * 5/2015 Hartman D25/119
 D781,456 S * 3/2017 Williams D25/119
 D781,457 S * 3/2017 Williams D25/119
 D781,458 S * 3/2017 Williams D25/119
 D782,072 S * 3/2017 Williams D25/119
 D782,705 S * 3/2017 Williams D25/119
 D783,180 S * 4/2017 Williams D25/119
 D783,863 S * 4/2017 Williams D25/119
 D783,864 S * 4/2017 Williams D25/119
 D783,865 S * 4/2017 Williams D25/119
 2004/0040235 A1 3/2004 Kurtz
 2007/0006545 A1 * 1/2007 Johnston E04F 19/04
 52/745.09
 2007/0256376 A1 11/2007 Vaes
 2007/0277473 A1 12/2007 Richardson
 2008/0236072 A1 10/2008 Johnston
 2010/0186341 A1 * 7/2010 Shoopman E04F 19/04
 52/718.01
 2010/0242389 A1 9/2010 Depaul
 2011/0045250 A1 2/2011 De Zen
 2013/0047532 A1 2/2013 Armacost
 2015/0204489 A1 * 7/2015 Baello E04F 19/0436
 362/231

OTHER PUBLICATIONS

Johnsonite Millwork Wall Finishing System page; retrieved from the internet url: <http://www.johnsonite.com/Default.aspx?tabid=1157&sku=MWXXX J>; printed Dec. 30, 2013; 1 page.
 Johnsonite Millwork Contoured Wall Base, Chair Rail and Corner Guard page, retrieved from internet url: <http://www.johnsonite.com/WallBaseFinishesAccessories/FinishBordersWallBase/MillworkContouredWBChairRailCornerGuard>; printed Dec. 20, 2013; 2 pages.
 Johnsonite Millwork Photo Gallery pages; retrieved from internet url: http://www.johnsonite.com/ColorResourcesTools/PhotoGallery/tabid/822/AlbumID/2151_236/Default.aspx; printed Dec. 30, 2013; 2 pages.
 PRWEB, Profiles Wall Base Line Announced by Burke Flooring; retrieved from internet url: <http://www.prweb.com/releases/2009/07/prweb2591514.htm>; Jul. 1, 2009; 1 page.
 Burke Flooring, Profiles Designer Wall Base Catalog; downloaded circa Dec. 2013; 12 pages.

* cited by examiner

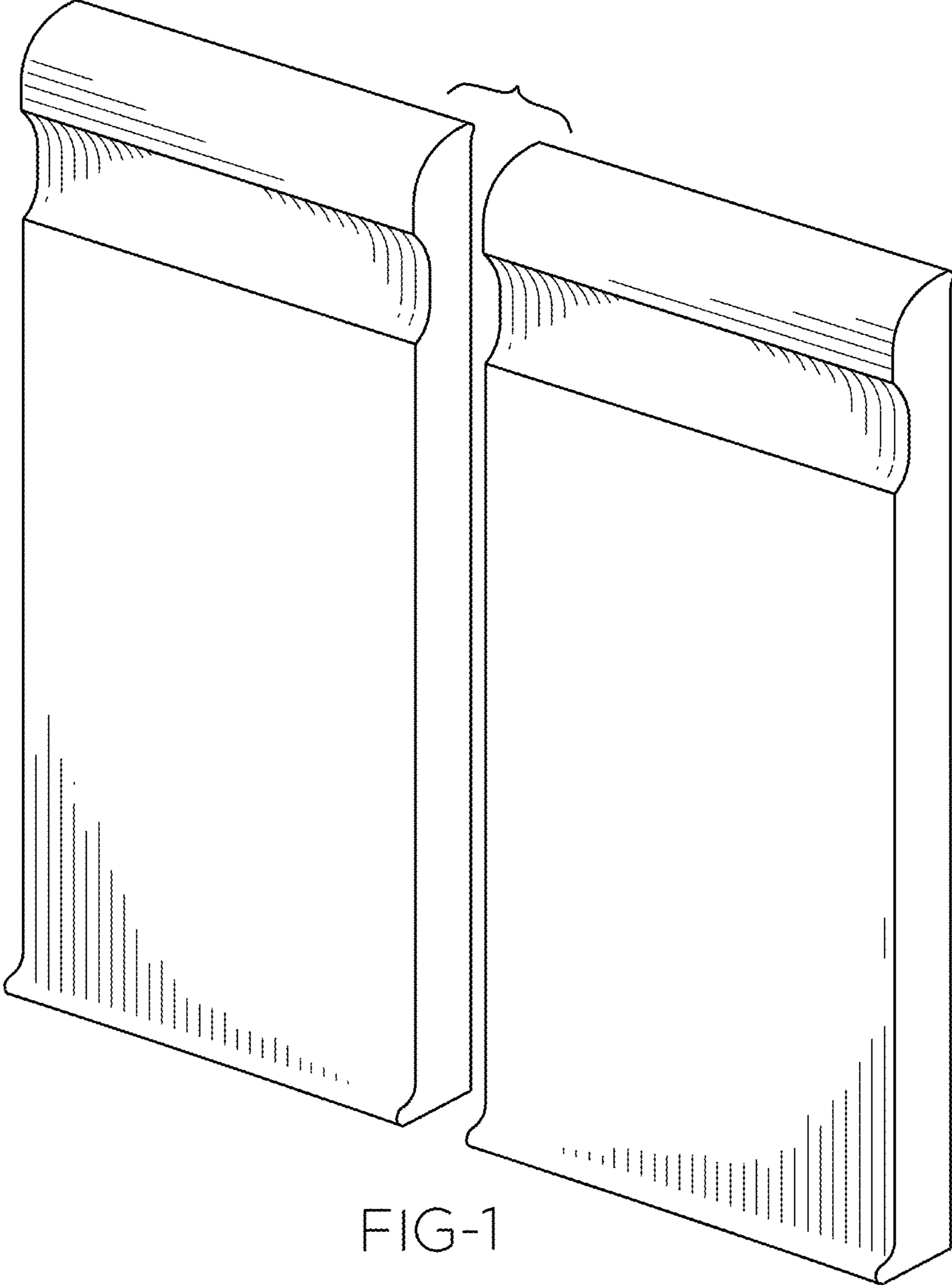


FIG-1

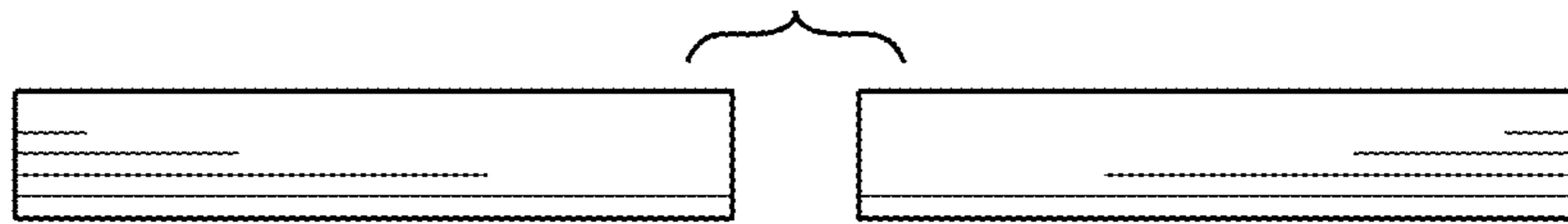


FIG-2

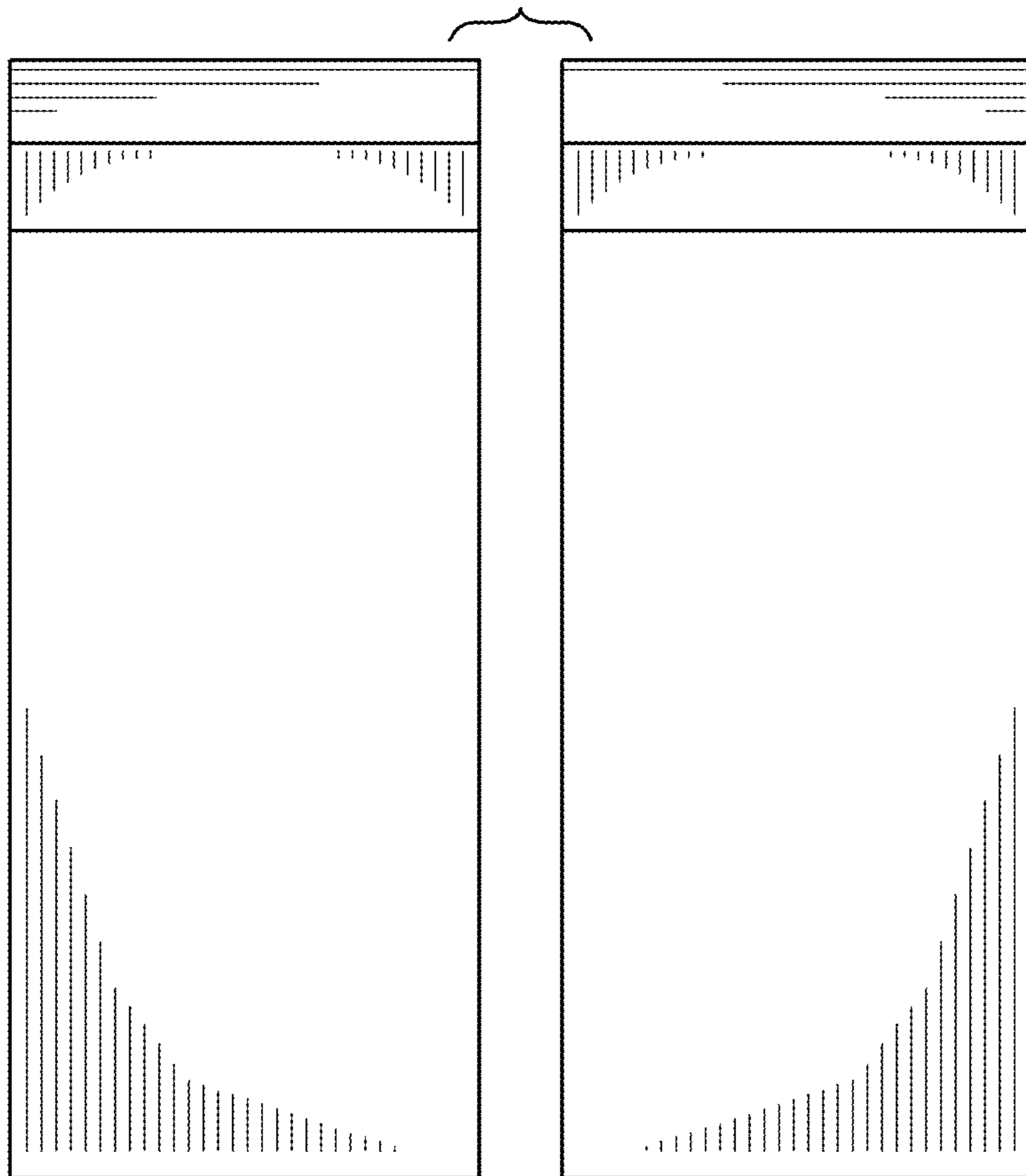


FIG-3

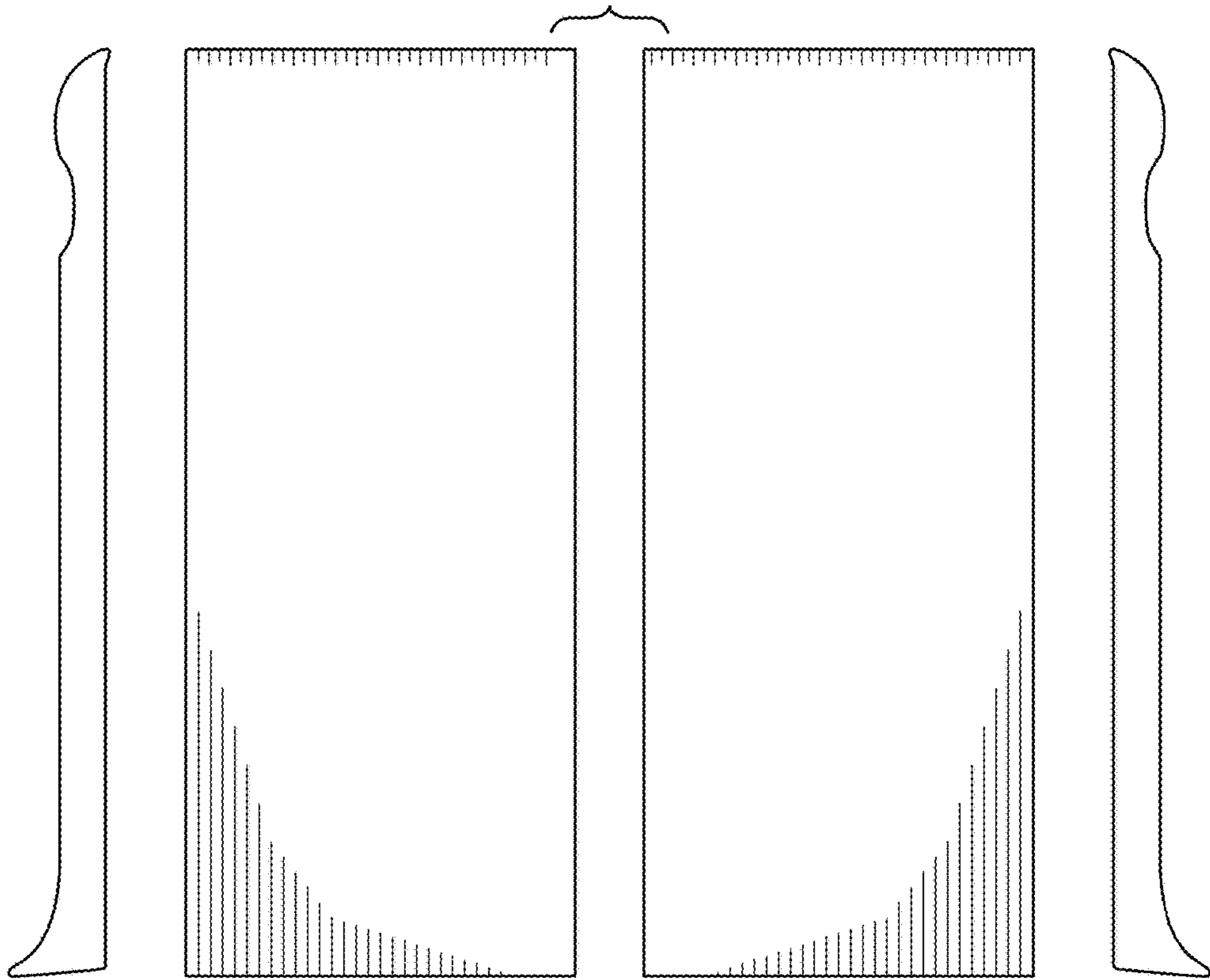


FIG-4

FIG-5

FIG-6

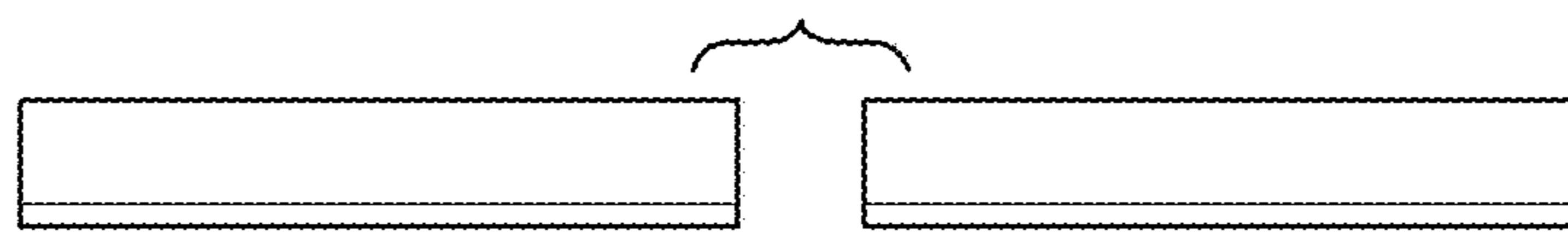


FIG-7