



US00D809675S

(12) **United States Design Patent** (10) **Patent No.:** **US D809,675 S**
Singh (45) **Date of Patent:** **** Feb. 6, 2018**

(54) **TRIM REVEAL EXTRUSION** 2/7854; E04B 2/7863; E04B 2/7872;
E04B 2/7881; E04B 2/789
(71) Applicant: **Joshua George Singh**, Calgary (CA) See application file for complete search history.

(72) Inventor: **Joshua George Singh**, Calgary (CA) (56)

(**) Term: **15 Years**

(21) Appl. No.: **29/549,903**

(22) Filed: **Dec. 29, 2015**

(51) **LOC (11) Cl.** **25-01**

(52) **U.S. Cl.**
USPC **D25/119**

(58) **Field of Classification Search**
USPC D25/35, 38.1, 41.1, 43, 44, 47.1, 48.1,
D25/48.2, 48.3, 48.4, 48.7, 55-57, 60, 61,
D25/119-137, 164, 199; D8/349, 354,
D8/380, 381; D26/138

CPC ... E06B 1/00; E06B 1/006; E06B 1/02; E06B
1/04; E06B 1/045; E06B 1/12; E06B
1/34; E06B 1/342; E06B 1/345; E06B
1/347; E06B 1/36; E06B 1/363; E06B
1/366; E06B 1/38; E06B 1/40; E06B
1/52; E06B 1/522; E06B 1/524; E06B
1/526; E06B 1/528; E06B 1/56; E06B
1/60; E06B 1/6092; E06B 1/62; E06B
1/70; E06B 1/702; E06B 1/705; E06B
1/707; E04C 2003/023; E04C 2003/026;
E04C 3/00; E04C 3/005; E04C 3/02;
E04C 3/04; E04C 3/12; E04C 3/20; E04C
3/28; E04C 3/30; E04F 19/02; E04F
19/022; E04F 19/026; E04F 19/028; E04F
19/04; E04F 19/0436; E04F 19/0481;
E04F 19/0486; E04B 2001/2436; E04B
2001/2439; E04B 2001/2442; E04B
2001/2445; E04B 2001/2448; E04B
2001/2451; E04B 2001/2454; E04B
2001/2457; E04B 2001/246; E04B
2001/2463; E04B 2/00; E04B 2/74; E04B
2/76; E04B 2/761; E04B 2/762; E04B
2/763; E04B 2/764; E04B 2/765; E04B

References Cited

U.S. PATENT DOCUMENTS

D270,188	S	*	8/1983	Whitehouse	D25/119
D290,404	S	*	6/1987	Stoler	D25/119
D300,256	S	*	3/1989	Schmidt	D25/119
5,039,246	A	*	8/1991	Woodruff	E06B 9/521 160/392
D340,110	S	*	10/1993	Reed	D8/380
D344,595	S	*	2/1994	Ehmke	D25/119
D379,299	S	*	5/1997	Fitzgibbons	D25/119
D433,459	S	*	11/2000	Balchin	D25/119
7,111,435	B2	*	9/2006	Flores	E04F 21/04 52/287.1

(Continued)

Primary Examiner — Cynthia Ramirez
Assistant Examiner — Llorellys Martinez-Rivera
(74) *Attorney, Agent, or Firm* — Tai W. Nahm; Miller
Thomson LLP

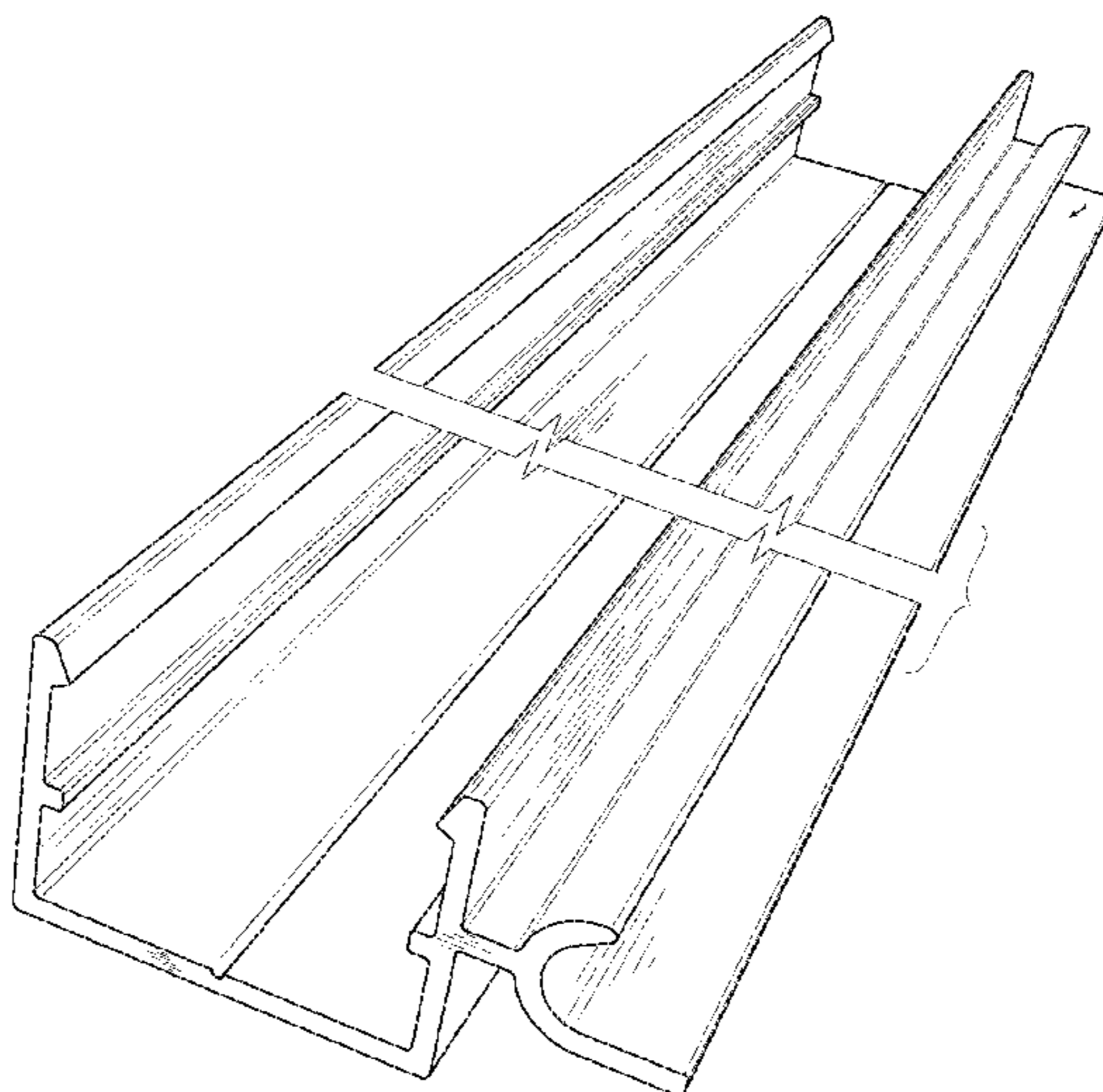
(57) **CLAIM**

The ornamental design for a trim reveal extrusion, as shown
and described.

DESCRIPTION

FIG. 1 is a perspective view of a trim reveal extrusion
showing my new design.
FIG. 2 is a cross-sectional end view thereof; and,
FIG. 3 is an end elevational view thereof, showing the trim
reveal extrusion in an environmental use.
The broken lines in FIG. 3 illustrate environmental subject-
matter only and form no part of the claimed design.
In FIG. 1, the trim reveal extrusion is shown with a symbolic
break in its length. The appearance of any portion of the trim
reveal extrusion between the jagged break lines forms no
part of the claimed design.

1 Claim, 1 Drawing Sheet



(56)

References Cited

U.S. PATENT DOCUMENTS

D695,421 S * 12/2013 Krieger E04F 13/0826
D25/119
D767,382 S * 9/2016 Libreiro D25/119
D775,410 S * 12/2016 Klus D26/138

* cited by examiner

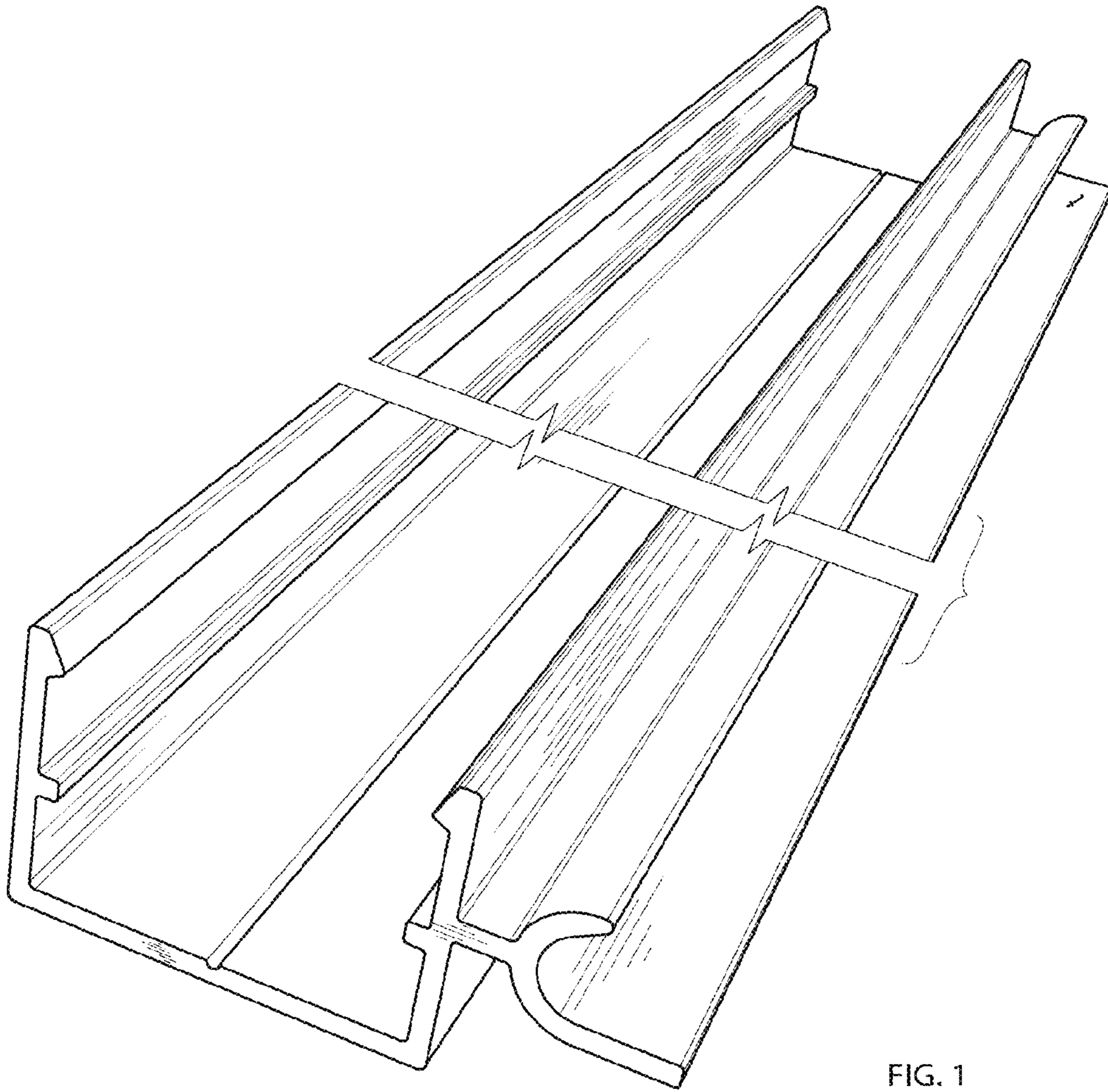


FIG. 1

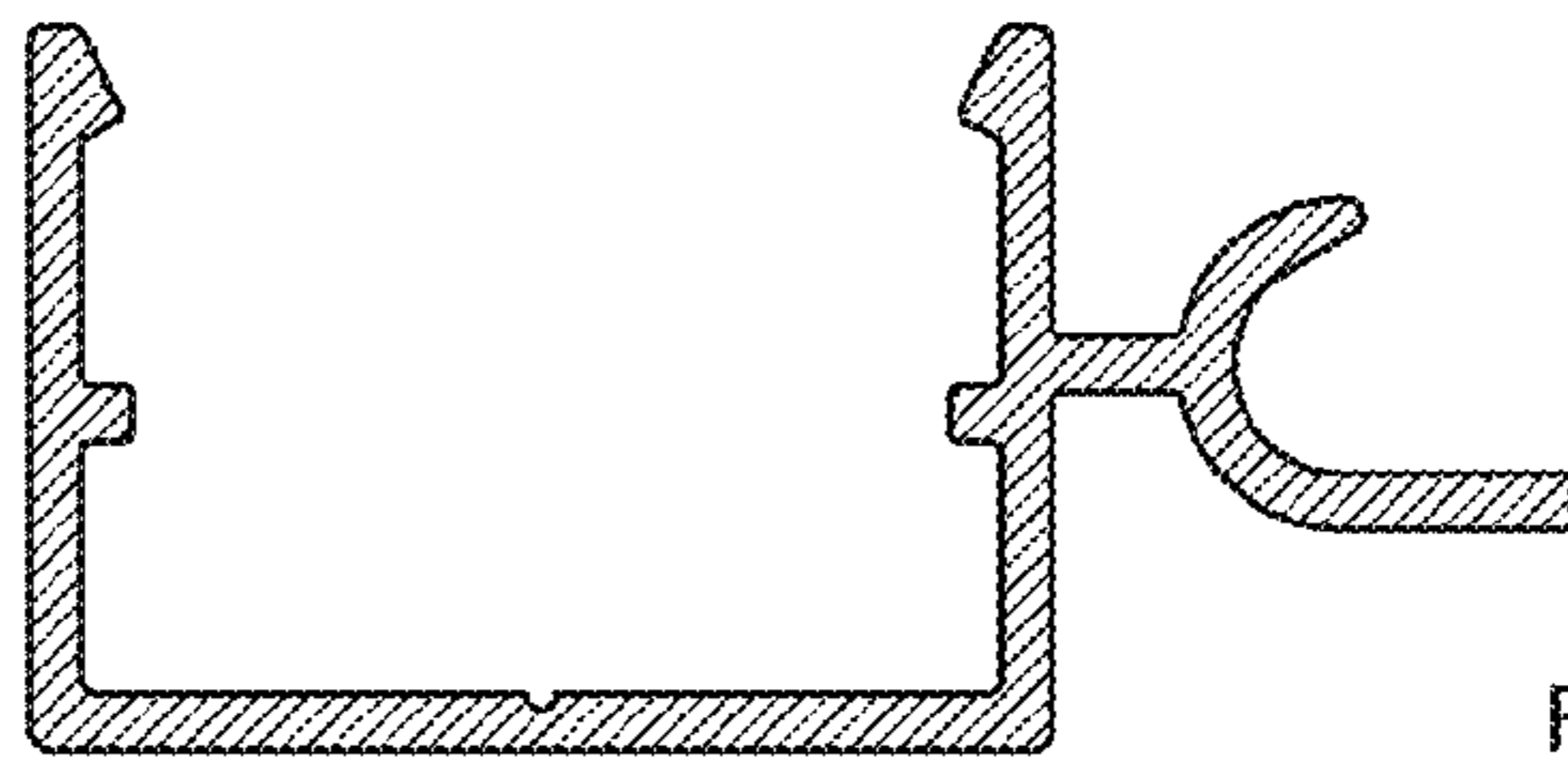


FIG. 2

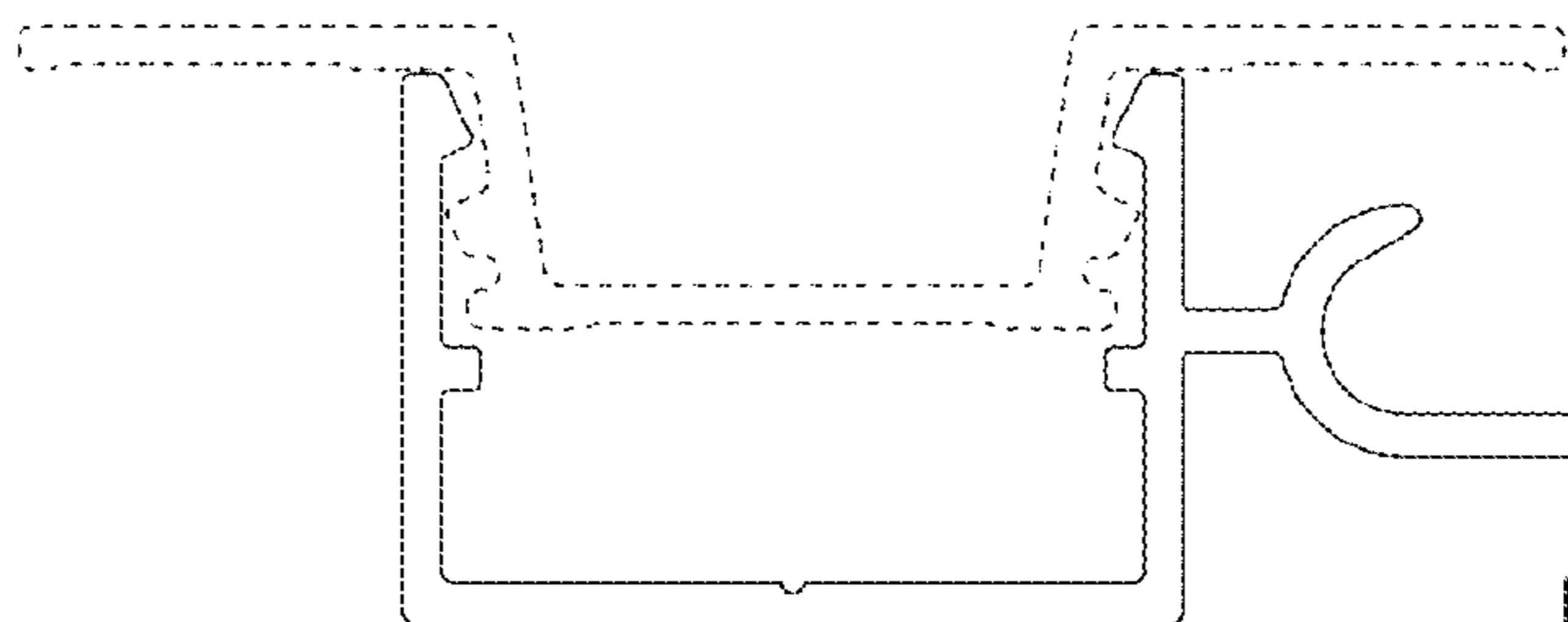


FIG. 3