



US00D809674S

(12) **United States Design Patent**  
**Singh**

(10) **Patent No.:** **US D809,674 S**

(45) **Date of Patent:** **\*\* Feb. 6, 2018**

- (54) **TRIM REVEAL EXTRUSION**
- (71) Applicant: **Joshua George Singh**, Calgary (CA)
- (72) Inventor: **Joshua George Singh**, Calgary (CA)
- (\*\*) Term: **15 Years**
- (21) Appl. No.: **29/547,618**
- (22) Filed: **Dec. 4, 2015**
- (51) **LOC (11) Cl.** ..... **25-01**
- (52) **U.S. Cl.**  
USPC ..... **D25/119**
- (58) **Field of Classification Search**  
USPC ..... D25/35, 47.1, 48.1, 48.2, 48.3, 48.4,  
D25/48.7, 48.8, 55, 56, 58-61, 119-132,  
D25/138, 139, 164; 52/58, 68, 96, 97,  
52/204.5, 204.53, 208, 209, 255, 254,  
52/287.1, 293.3, 302.6, 443, 444, 716.1,  
52/716.2, 716.6-716.8, 717.01, 717.03;  
D23/167, 267, 386  
CPC ..... E04F 19/00; E04F 19/02; E04F 19/022;  
E04F 19/026; E04F 19/04; E04F 19/06;  
E04F 19/061; E04F 13/06; E04F 13/061;  
E04F 13/063; E04F 13/065; E04F 13/066;  
E04F 13/068; E04C 2003/0482; E04C  
3/02; E04C 3/04; E04C 3/12; E04C  
3/292; E04C 2003/0404; E04C  
2003/0452; E04C 2003/046; E04B 2/00;  
E04B 7/00; E04B 5/12; E04D 13/15;  
E04D 13/0459; E04D 1/36  
See application file for complete search history.

- 4,912,899 A \* 4/1990 Plasker ..... E04B 9/008  
52/255
- 6,301,849 B1 \* 10/2001 Roth ..... E04B 1/72  
52/302.1
- D460,197 S \* 7/2002 Stringer ..... D25/48.8
- D486,921 S \* 2/2004 Zyburd ..... D25/119
- D497,130 S \* 10/2004 Perfetti ..... D12/196
- D592,945 S \* 5/2009 Mahan ..... D8/381
- D620,622 S \* 7/2010 Steel ..... D25/164
- D651,292 S \* 12/2011 Geers ..... D23/267
- D765,492 S \* 9/2016 Akers ..... D8/354
- 2013/0205696 A1 \* 8/2013 Little ..... E04F 13/06  
52/255
- 2014/0144100 A1 \* 5/2014 Rutherford ..... E04B 1/64  
52/716.2

\* cited by examiner

*Primary Examiner* — Cynthia Ramirez  
*Assistant Examiner* — Llorellys Martinez-Rivera  
(74) *Attorney, Agent, or Firm* — Tai W. Nahm; Miller  
Thomson LLP

(57) **CLAIM**

The ornamental design for a trim reveal extrusion, as shown and described.

**DESCRIPTION**

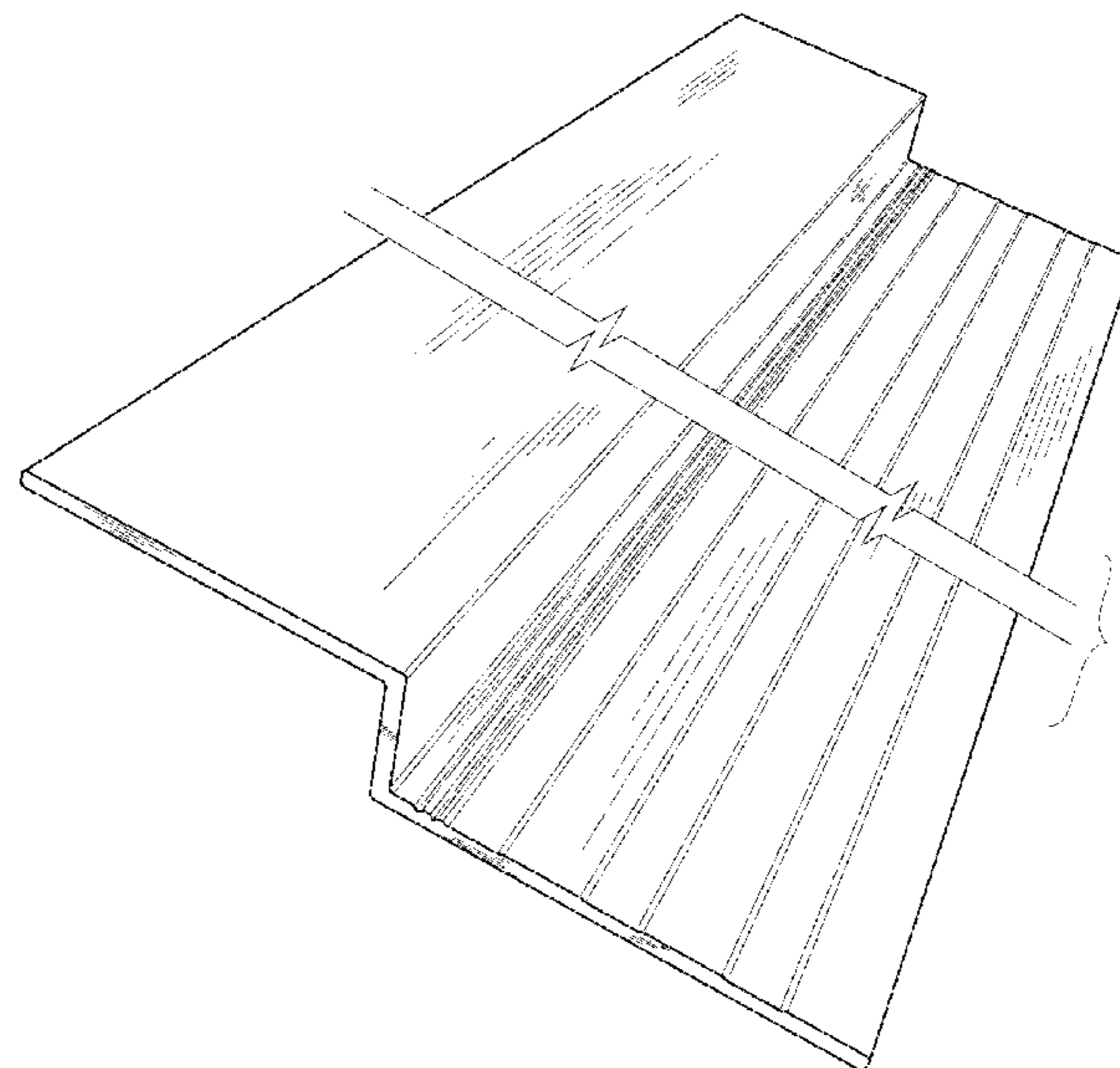
FIG. 1 is a perspective view of a trim reveal extrusion showing my new design; and, FIG. 2 is a cross-sectional end view thereof. The trim reveal extrusion is shown with a symbolic break in its length. The appearance of any portion of the trim reveal extrusion between the lagged break lines form no part of the claimed design.

**1 Claim, 1 Drawing Sheet**

(56) **References Cited**

U.S. PATENT DOCUMENTS

- 3,738,690 A \* 6/1973 White ..... E04C 3/08  
52/846
- D269,193 S \* 5/1983 Lazzara ..... D20/43



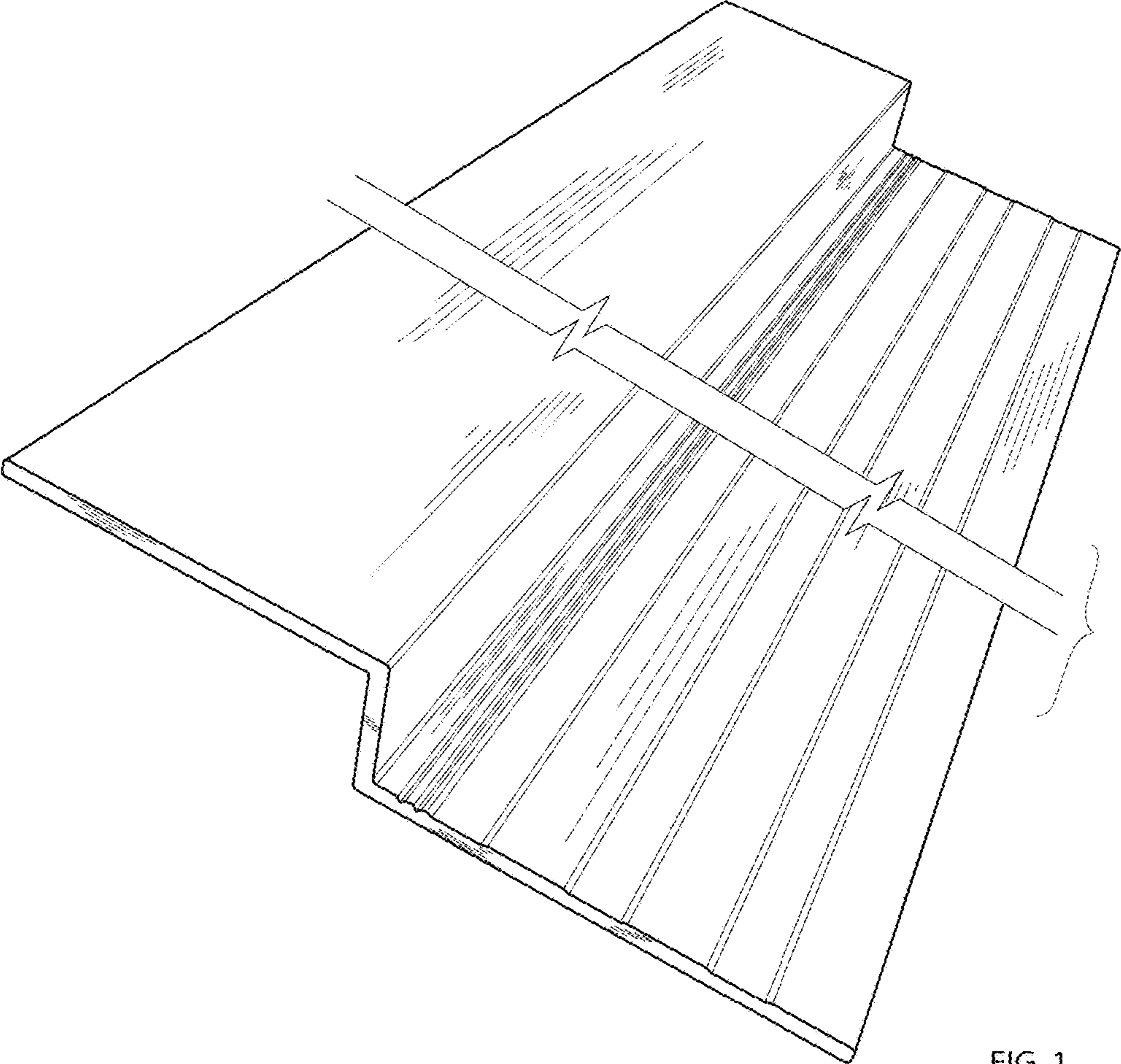


FIG. 1

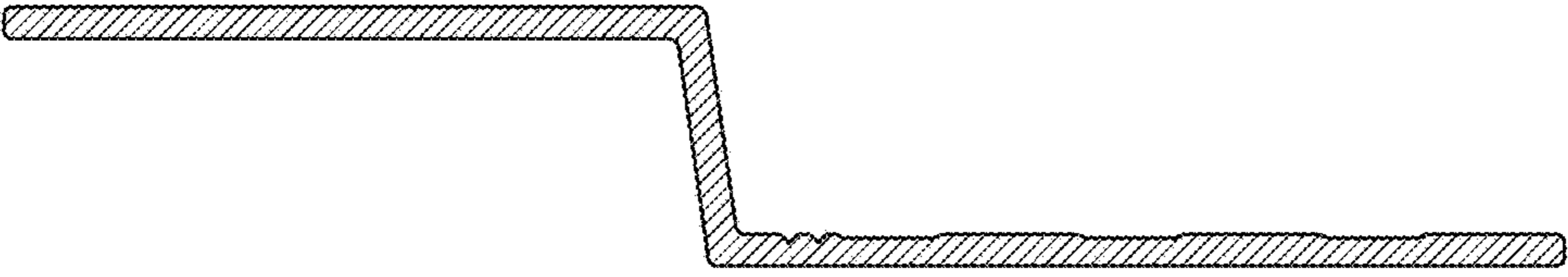


FIG. 2