



US00D809673S

(12) **United States Design Patent** (10) **Patent No.:** **US D809,673 S**  
**Lundell et al.** (45) **Date of Patent:** **\*\* Feb. 6, 2018**

(54) **LANDSCAPING BLOCK**

(56) **References Cited**

(71) Applicants: **Robert John Lundell**, Stillwater, MN (US); **Thomas S. Riccobene**, Albuquerque, NM (US)

U.S. PATENT DOCUMENTS

D21,428 S *	3/1892	Berger	.....	D5/44
479,054 A	7/1892	Briggs		
1,244,008 A	10/1917	Wheeler		
1,794,572 A	3/1931	Wyatt		
5,054,957 A	10/1991	Johnson, II		
5,251,997 A	10/1993	Brock		
D365,643 S	12/1995	Wilhelm		
5,496,129 A	3/1996	Dube		
D389,926 S	1/1998	Barth et al.		
D425,628 S	5/2000	Barth et al.		
		(Continued)		

(72) Inventors: **Robert John Lundell**, Stillwater, MN (US); **Thomas S. Riccobene**, Albuquerque, NM (US)

(73) Assignee: **KEYSTONE RETAINING WALL SYSTEMS LLC**, West Chester, OH (US)

FOREIGN PATENT DOCUMENTS

(\*\*) Term: **15 Years**

WO	D040808-002	9/1997
----	-------------	--------

(21) Appl. No.: **29/584,507**

OTHER PUBLICATIONS

(22) Filed: **Nov. 15, 2016**

<https://www.youtube.com/watch?v=FnBEN3IRusk> Posted Sep. 12, 2016.\*

(Continued)

**Related U.S. Application Data**

(62) Division of application No. 29/523,979, filed on Apr. 15, 2015, now Pat. No. Des. 775,372.

(51) **LOC (11) Cl.** ..... **25-01**

(52) **U.S. Cl.**  
USPC ..... **D25/113**

(58) **Field of Classification Search**  
USPC ..... D5/43, 44; D21/484-486, 489-494, D21/499-504; D25/102, 112, 113, 136, D25/138, 140, 149, 151, 153, 156, 157, D25/159, 161-163, 199; 52/102, 52/384-389, 390, 503-505, 574-576, 52/603-612; 404/18-20, 27-42; 405/16, 405/284, 286

CPC ..... B28B 7/007; B28B 7/0073; B28B 7/24; B28B 7/183; E04C 1/395; E02D 29/025; E04B 2002/026; E04B 2002/0267

See application file for complete search history.

*Primary Examiner* — Susan Bennett Hattan  
*Assistant Examiner* — Leanne Was-Englehart  
(74) *Attorney, Agent, or Firm* — Popovich, Wiles & O'Connell, P.A.

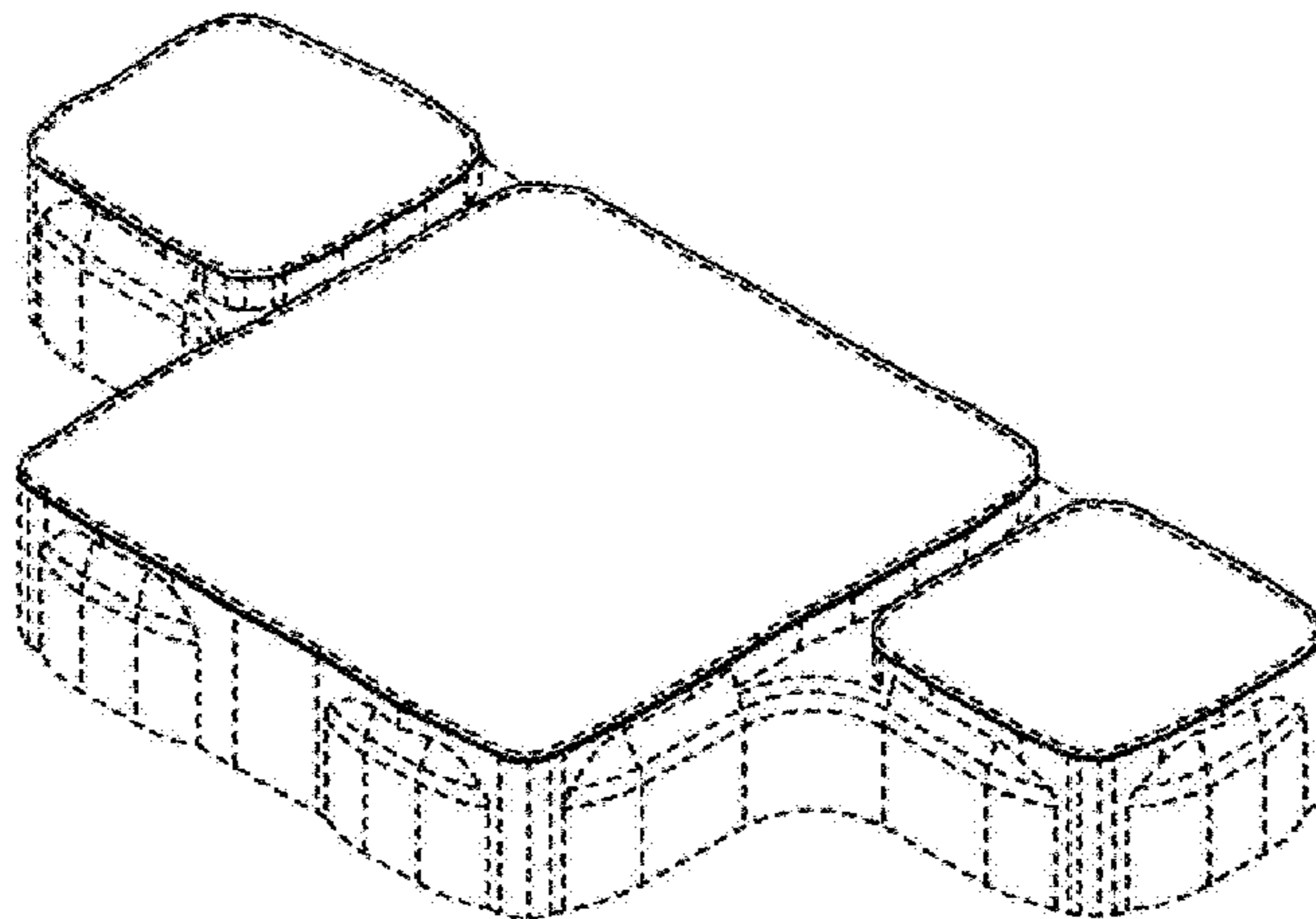
(57) **CLAIM**

The ornamental design for a landscaping block, as shown and described.

**DESCRIPTION**

FIG. 1 is a top perspective view of a landscaping block; FIG. 2 is a top plan view thereof; FIG. 3 is a bottom plan view thereof; FIG. 4 is a front elevational view thereof; FIG. 5 is a back elevational view thereof; FIG. 6 is a right side elevational view thereof; and, FIG. 7 is a left side elevational view thereof. The broken lines in the figures depict portions of the landscaping block that form no part of the claimed design.

**1 Claim, 1 Drawing Sheet**



(56)

**References Cited**

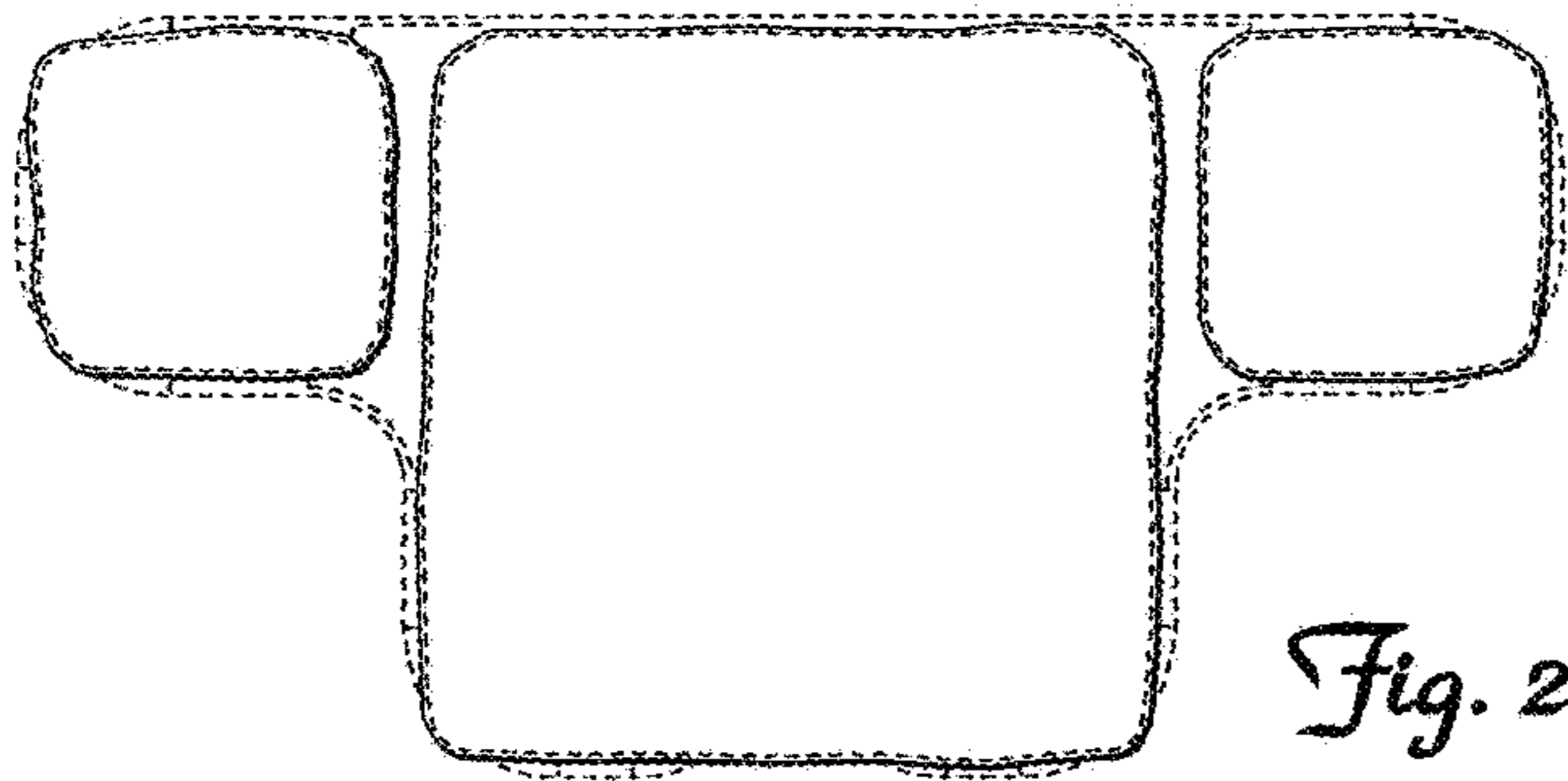
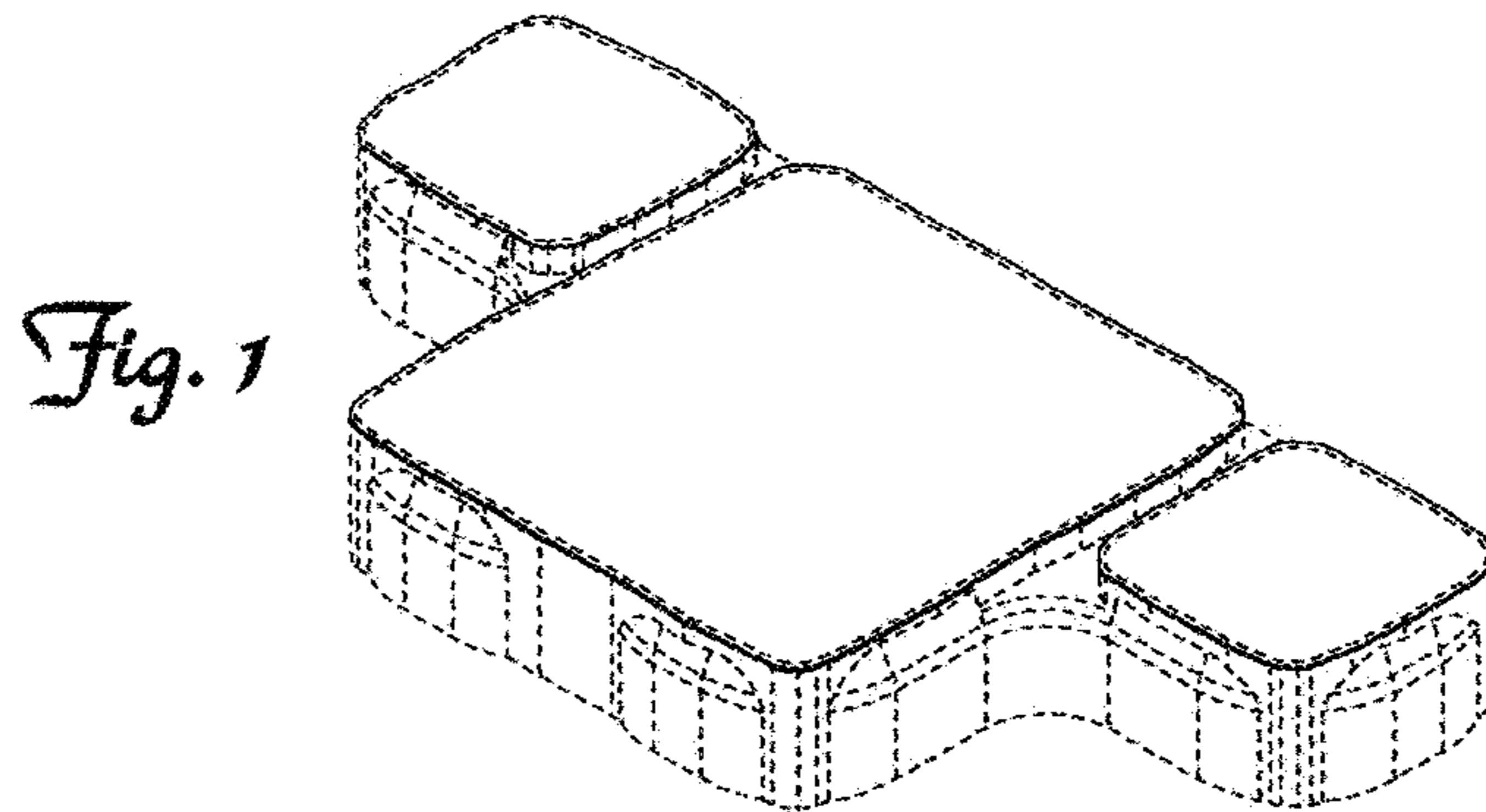
U.S. PATENT DOCUMENTS

D425,629	S	5/2000	Abbrancati	
6,055,784	A	5/2000	Geiger	
D426,317	S	6/2000	Fifield	
D426,648	S	6/2000	Ogawa et al.	
D485,370	S	1/2004	Schmitz et al.	
D498,543	S	11/2004	Schmitz et al.	
D505,733	S *	5/2005	Castonguay	D25/113
6,942,420	B1	9/2005	Drost et al.	
7,220,078	B2	5/2007	Drost et al.	
D582,056	S *	12/2008	Plies	D25/113
D620,151	S *	7/2010	Perkins	D25/156
D630,339	S	1/2011	Coleman et al.	
D639,454	S	6/2011	Thomassen	
D656,625	S	3/2012	MacDonald et al.	
D664,677	S	7/2012	Riccobene	
D674,118	S	1/2013	MacDonald et al.	
D676,151	S *	2/2013	Mugge	D25/113
D689,624	S	9/2013	Pacitto	
D701,619	S	3/2014	Pacitto	
D731,675	S *	6/2015	Karau	D25/113
D739,041	S *	9/2015	Karau	D25/113
D739,561	S *	9/2015	Karau	D25/113
D775,372	S *	12/2016	Lundell	D25/113
2007/0289247	A1 *	12/2007	Hamel	B28B 7/007 52/596
2014/0112715	A1	4/2014	Browning et al.	
2014/0345224	A1	11/2014	Hamel	

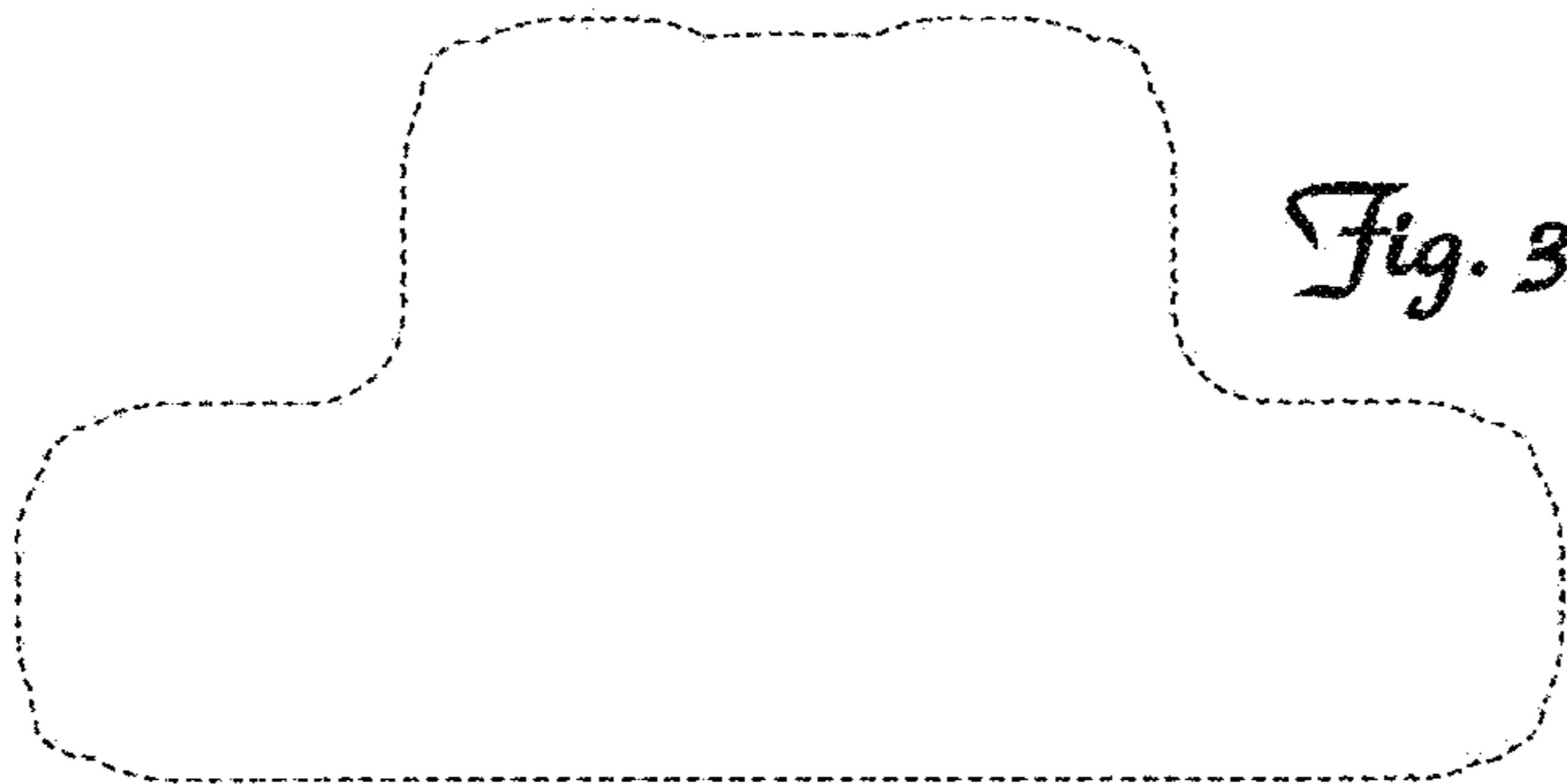
OTHER PUBLICATIONS

Home Depot Hardscapes Valestone Inspiration Book, Monaco Paver, pp. 6-7 (2013).

\* cited by examiner



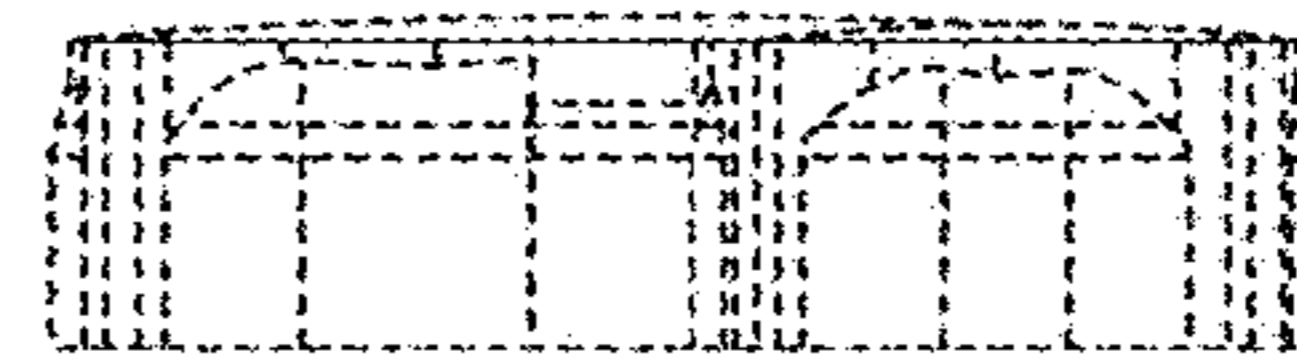
*Fig. 2*



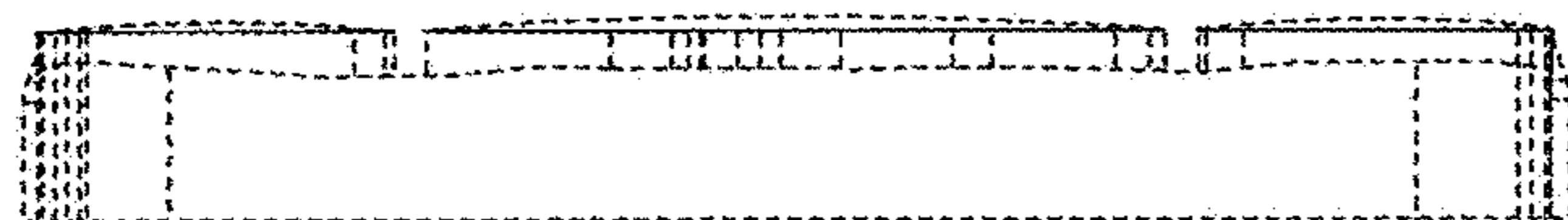
*Fig. 3*



*Fig. 4*



*Fig. 6*



*Fig. 5*



*Fig. 7*