



US00D809672S

(12) **United States Design Patent** (10) **Patent No.:** **US D809,672 S**  
**Brennan et al.** (45) **Date of Patent:** **\*\* Feb. 6, 2018**

(54) **UPPER FRAME**  
(71) Applicant: **Property Trading Group Pty Limited,**  
Liverpool (AU)  
(72) Inventors: **James Paul Brennan,** Sydney (AU);  
**Michael Malcolm Walker,** Sydney  
(AU)  
(73) Assignee: **PROPERTY TRADING GROUP**  
**PTY LIMITED,** Liverpool (AU)

D630,288 S \* 1/2011 Grazioso ..... D21/837  
D639,448 S \* 6/2011 Grainger ..... D25/1  
D746,943 S \* 1/2016 Hart ..... D23/207  
D762,396 S \* 8/2016 Pace ..... D6/407  
2008/0110127 A1\* 5/2008 Terada ..... F16B 7/185  
52/646

**FOREIGN PATENT DOCUMENTS**

JP D1444202 \* 6/2012  
JP D1550655 \* 5/2016  
JP D1550656 \* 5/2016

(\*\*) Term: **15 Years**  
(21) Appl. No.: **29/555,861**  
(22) Filed: **Feb. 25, 2016**

**OTHER PUBLICATIONS**

<https://www.youtube.com/watch?v=0x5t0B9p7es> Posted Dec. 9,  
2015.\*

\* cited by examiner

(30) **Foreign Application Priority Data**  
Aug. 25, 2015 (AU) ..... 14423/2015  
(51) **LOC (11) Cl.** ..... **25-03**  
(52) **U.S. Cl.**  
USPC ..... **D25/61**  
(58) **Field of Classification Search**  
USPC ..... D25/1, 16, 32, 56, 57, 61  
CPC ... E04B 1/00; E04B 1/18; E04B 1/343; E04B  
1/348; E04C 3/02  
See application file for complete search history.

*Primary Examiner* — Susan Bennett Hattan  
*Assistant Examiner* — Leanne Was-Englehart  
(74) *Attorney, Agent, or Firm* — Walter Haverfield LLP;  
James J. Pingor

(56) **References Cited**

**U.S. PATENT DOCUMENTS**

1,567,958 A \* 12/1925 Reinholdt ..... A47B 3/12  
403/241  
D270,570 S \* 9/1983 Schildge, Jr. .... D25/1  
D280,343 S \* 8/1985 Schultz ..... D25/1  
6,726,041 B2 \* 4/2004 Dunn ..... B65D 19/12  
206/335

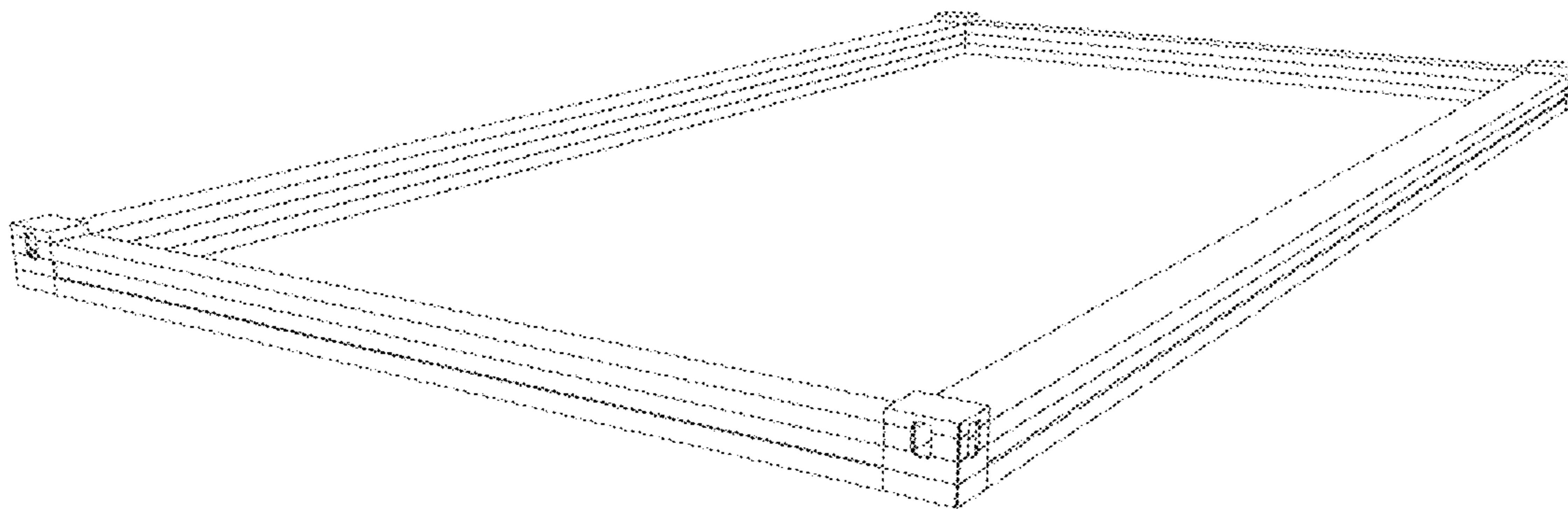
(57) **CLAIM**

The ornamental design for an upper frame, as shown and  
described.

**DESCRIPTION**

FIG. 1 is a top perspective view of an upper frame.  
FIG. 2 is a bottom perspective view of an upper frame.  
FIG. 3 is a front view of an upper frame.  
FIG. 4 is a rear view of an upper frame.  
FIG. 5 is a right side view of an upper frame; and,  
FIG. 6 is a left side view of an upper frame.

**1 Claim, 6 Drawing Sheets**



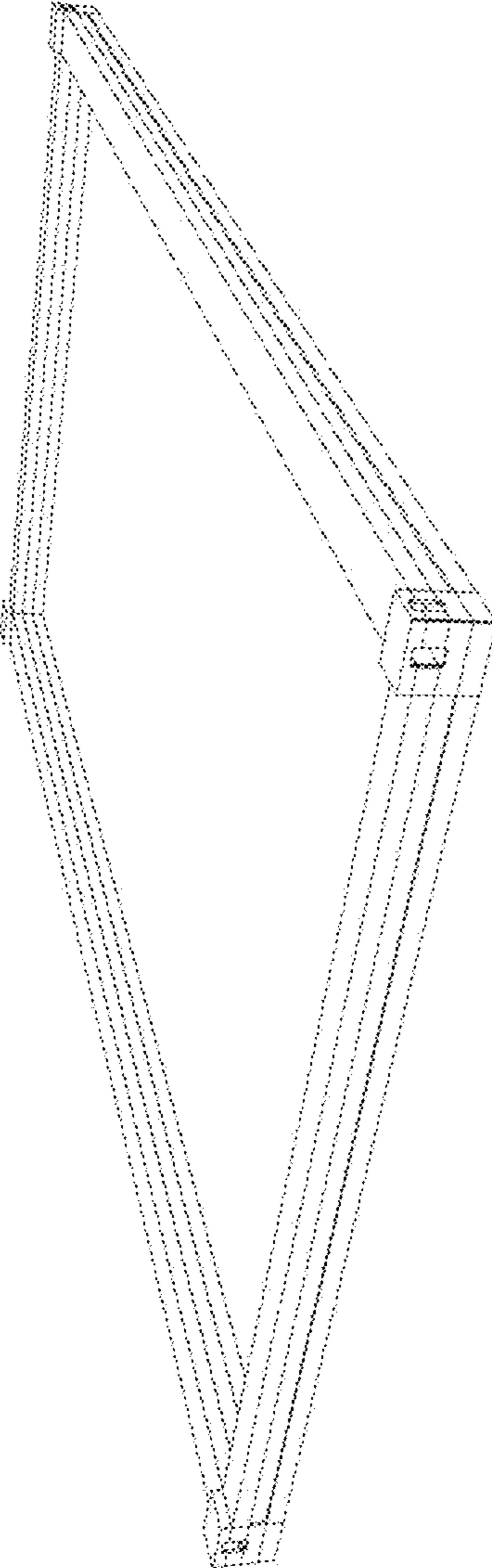


FIG. 1

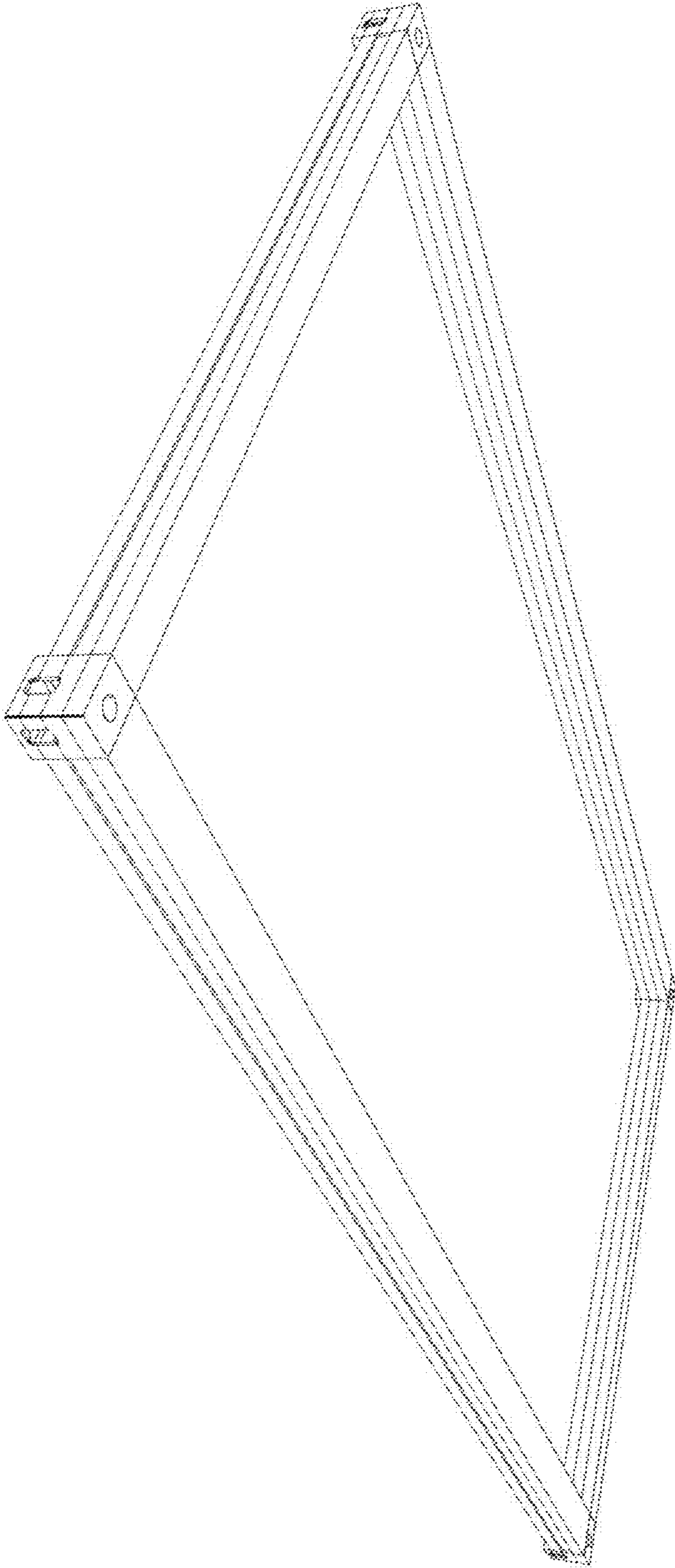


FIG. 2

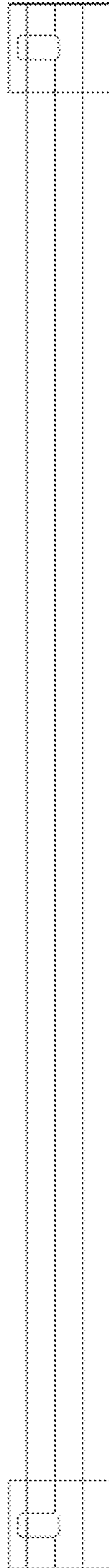


FIG. 3

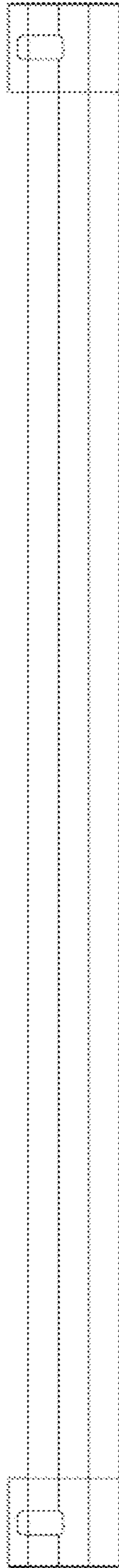


FIG. 4

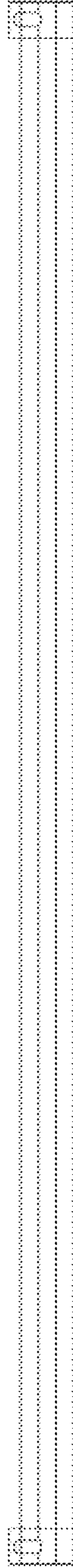


FIG. 5

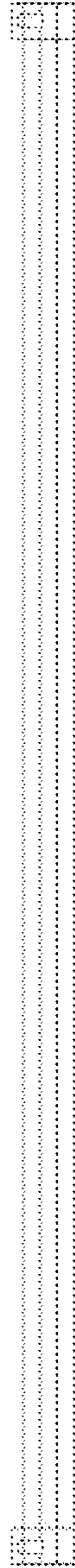


FIG. 6