



US00D809670S

(12) **United States Design Patent** (10) **Patent No.:** **US D809,670 S**
Gouge et al. (45) **Date of Patent:** **** Feb. 6, 2018**

(54) **DOOR**

(71) Applicant: **MASONITE CORPORATION**,
Tampa, FL (US)

(72) Inventors: **Timothy D. Gouge**, Elgin, IL (US);
Rahul Sharma, New Delhi (IN)

(73) Assignee: **Masonite Corporation**, Tampa, FL
(US)

(**) Term: **15 Years**

(21) Appl. No.: **29/551,574**

(22) Filed: **Jan. 14, 2016**

(51) **LOC (11) Cl.** **25-02**

(52) **U.S. Cl.**
USPC **D25/48.3**

(58) **Field of Classification Search**
USPC D25/48.1, 48.3, 138; 49/504, DIG. 2;
52/455, 456, 457, 458, 784.13
(Continued)

(56) **References Cited**

U.S. PATENT DOCUMENTS

6,615,558 B2 * 9/2003 Libby E06B 1/524
52/204.59
D555,806 S * 11/2007 Berryman D25/48.3
(Continued)

FOREIGN PATENT DOCUMENTS

CN 3370491 * 5/2004
EM 000537261-0003 * 6/2006
(Continued)

OTHER PUBLICATIONS

Brochure "Masonite the beautiful door", MIC09403_IntlBrochure.
indd, Dec. 13, 2011, p. 15.

Primary Examiner — Susan Bennett Hattan

Assistant Examiner — Leanne Was-Englehart

(74) *Attorney, Agent, or Firm* — Berenato & White, LLC

(57) **CLAIM**

The ornamental design for a door, as shown and described.

DESCRIPTION

FIG. 1 is a front perspective view of a first version of our design;

FIG. 2 is a front elevational view;

FIG. 3 is a rear elevational view;

FIG. 4 is a top plan view;

FIG. 5 is a bottom plan view;

FIG. 6 is a cross sectional view taken along the line 6-6 of FIG. 2;

FIG. 7 is an enlarged fragmentary cross sectional view taken from FIG. 6;

FIG. 8 is a left side plan view;

FIG. 9 is a right side plan view;

FIG. 10 is a cross sectional view taken along the line 10-10 of FIG. 2;

FIG. 11 is an enlarged fragmentary cross sectional view taken from FIG. 10;

FIG. 12 is a front perspective view of a second version of our design;

FIG. 13 is a front elevational view;

FIG. 14 is a rear elevational view;

FIG. 15 is a top plan view;

FIG. 16 is a bottom plan view;

FIG. 17 is a cross sectional view taken along the line 17-17 of FIG. 13;

FIG. 18 is an enlarged fragmentary cross sectional view taken from FIG. 17;

FIG. 19 is a left side plan view;

FIG. 20 is a right side plan view; and

FIG. 21 is a cross sectional view taken along the line 21-21 of FIG. 13;

FIG. 22 is an enlarged fragmentary cross sectional view taken from FIG. 21;

FIG. 23 is a front perspective view of a third version of our design;

FIG. 24 is a front elevational view;

(Continued)

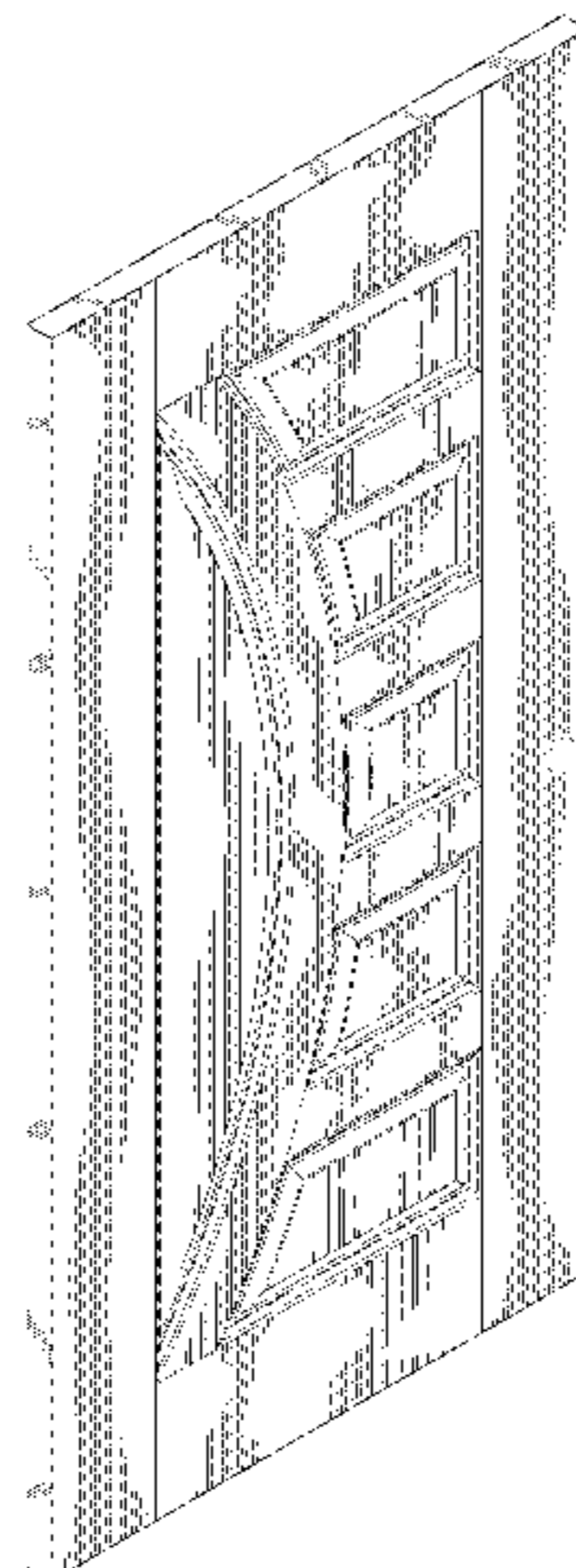


FIG. 25 is a rear elevational view;
FIG. 26 is a top plan view;
FIG. 27 is a bottom plan view;
FIG. 28 is a cross sectional view taken along the line 28-28 of FIG. 24;
FIG. 29 is an enlarged fragmentary cross sectional view taken from FIG. 28;
FIG. 30 is a left side plan view;
FIG. 31 is a right side plan view; and
FIG. 32 is a cross sectional view taken along the line 32-32 of FIG. 24;
FIG. 33 is an enlarged fragmentary cross sectional view taken from FIG. 32;
FIG. 34 is a front perspective view of a fourth version of our design;
FIG. 35 is a front elevational view;
FIG. 36 is a rear elevational view;
FIG. 37 is a top plan view;
FIG. 38 is a bottom plan view;
FIG. 39 is a cross sectional view taken along the line 39-39 of FIG. 35;
FIG. 40 is an enlarged fragmentary cross sectional view taken from FIG. 39;
FIG. 41 is a left side plan view;
FIG. 42 is a right side plan view;
FIG. 43 is a cross sectional view taken along the line 43-43 of FIG. 35; and,

FIG. 44 is an enlarged fragmentary cross sectional view taken from FIG. 43.

The dashed lines in the drawings are for environment and form no part of the claimed design.

1 Claim, 24 Drawing Sheets

(58) **Field of Classification Search**

CPC .. E06B 1/006; E06B 1/524; E06B 2003/7048;
E06B 3/7001; E06B 3/7017; E04C 2/36
See application file for complete search history.

(56) **References Cited**

U.S. PATENT DOCUMENTS

D575,420	S	*	8/2008	Mock	D25/138
D615,213	S	*	5/2010	Yen	D25/48.3
D627,484	S	*	11/2010	Walsh	D25/48.3
D652,151	S	*	1/2012	Walsh	D25/48.3

FOREIGN PATENT DOCUMENTS

WO	D047054-009	*	5/1999
WO	D050615-002	*	4/2000

* cited by examiner

FIG. 1

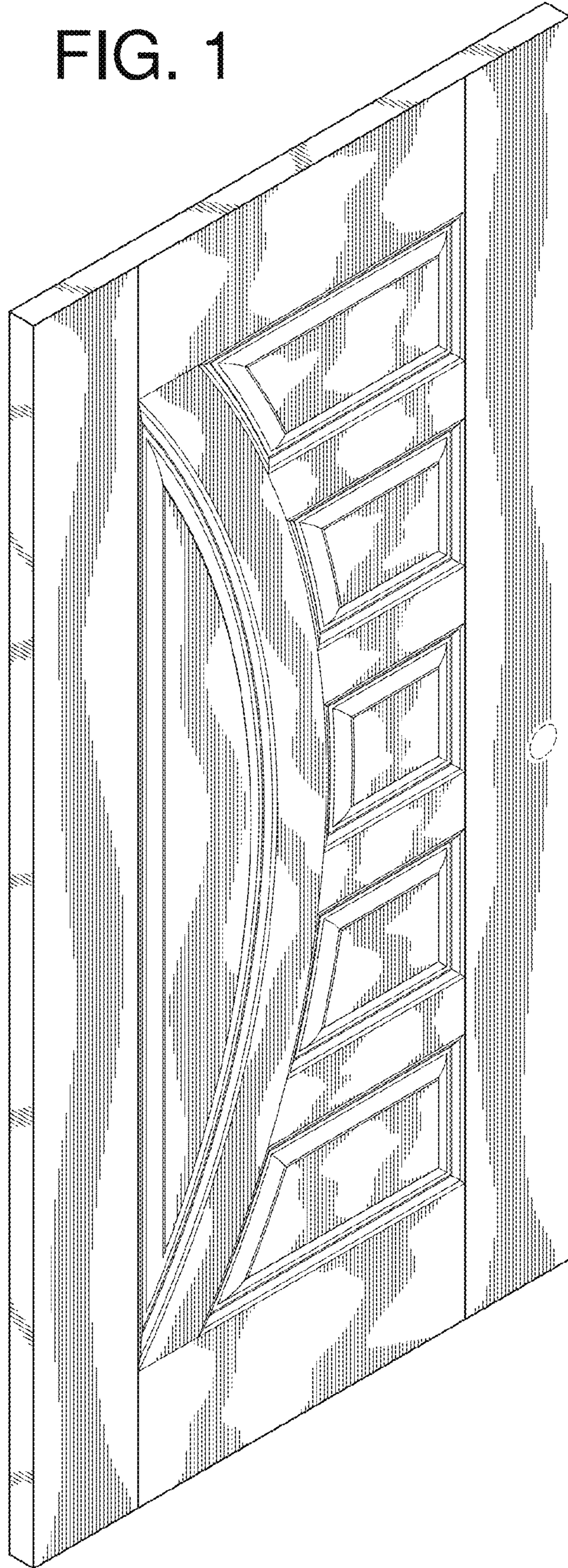


FIG. 2

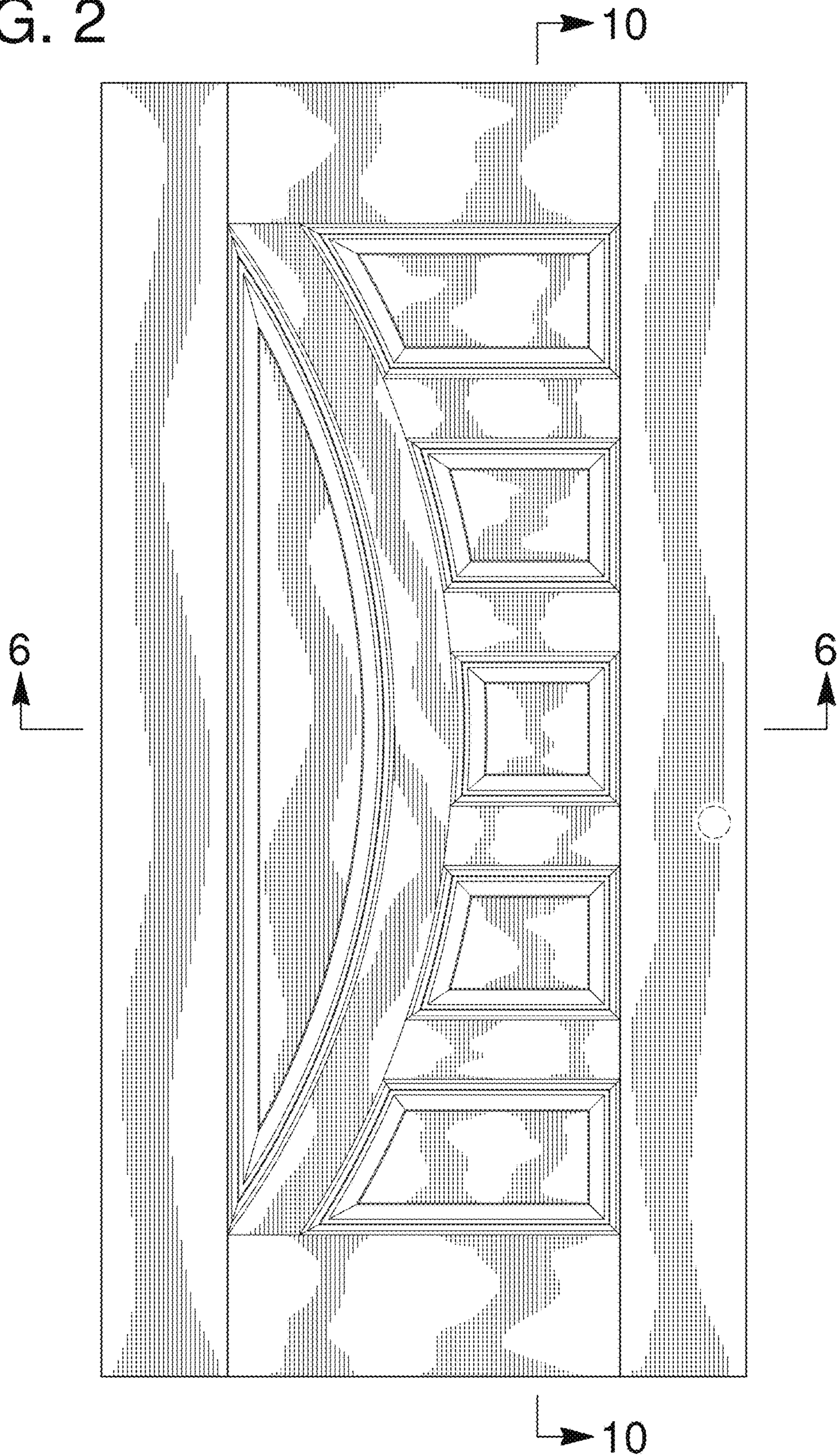


FIG. 3

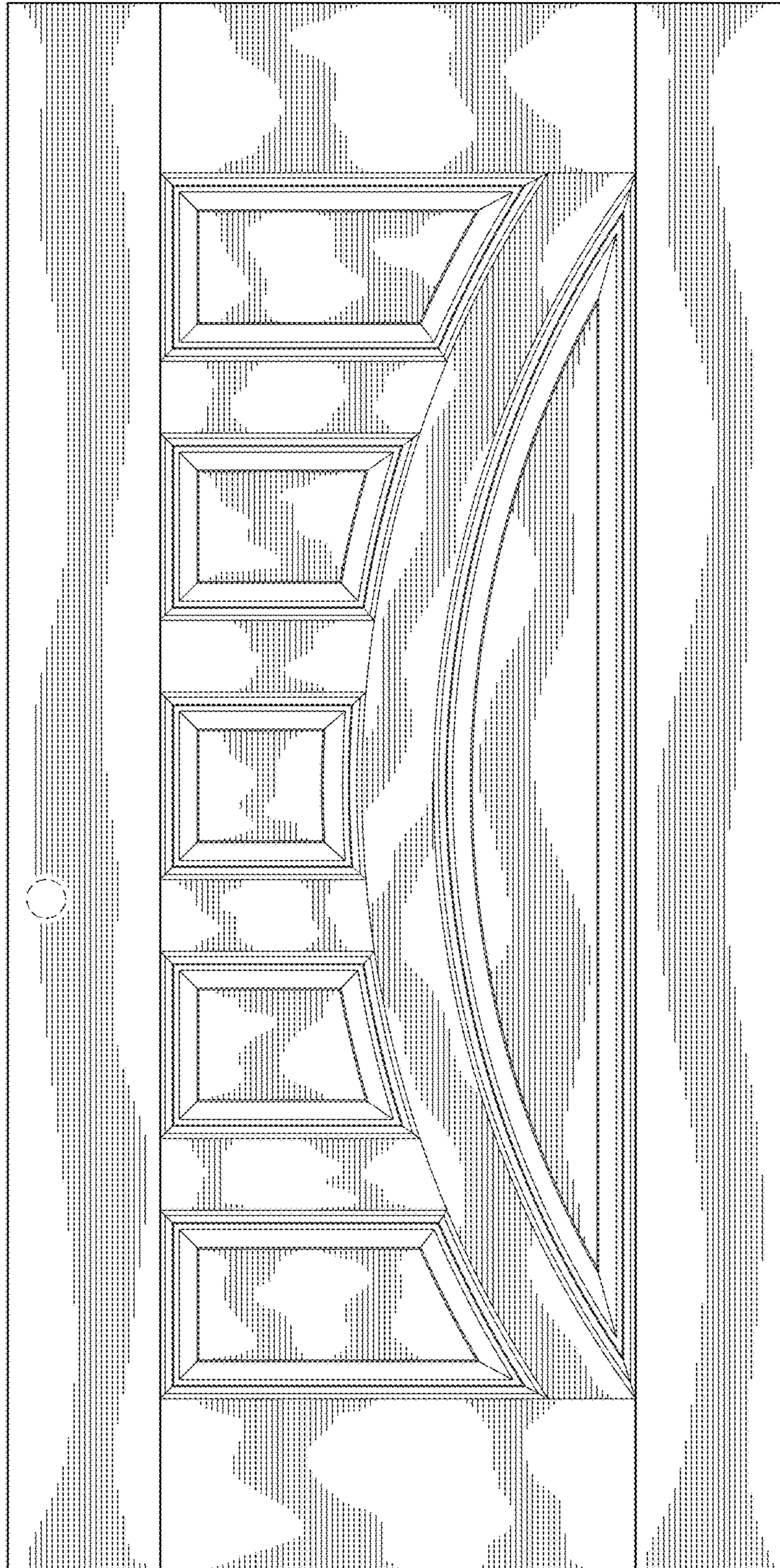


FIG. 4



FIG. 5

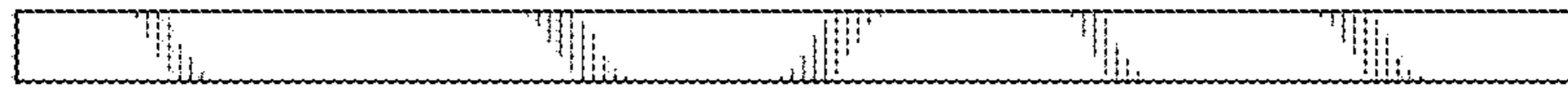


FIG. 6

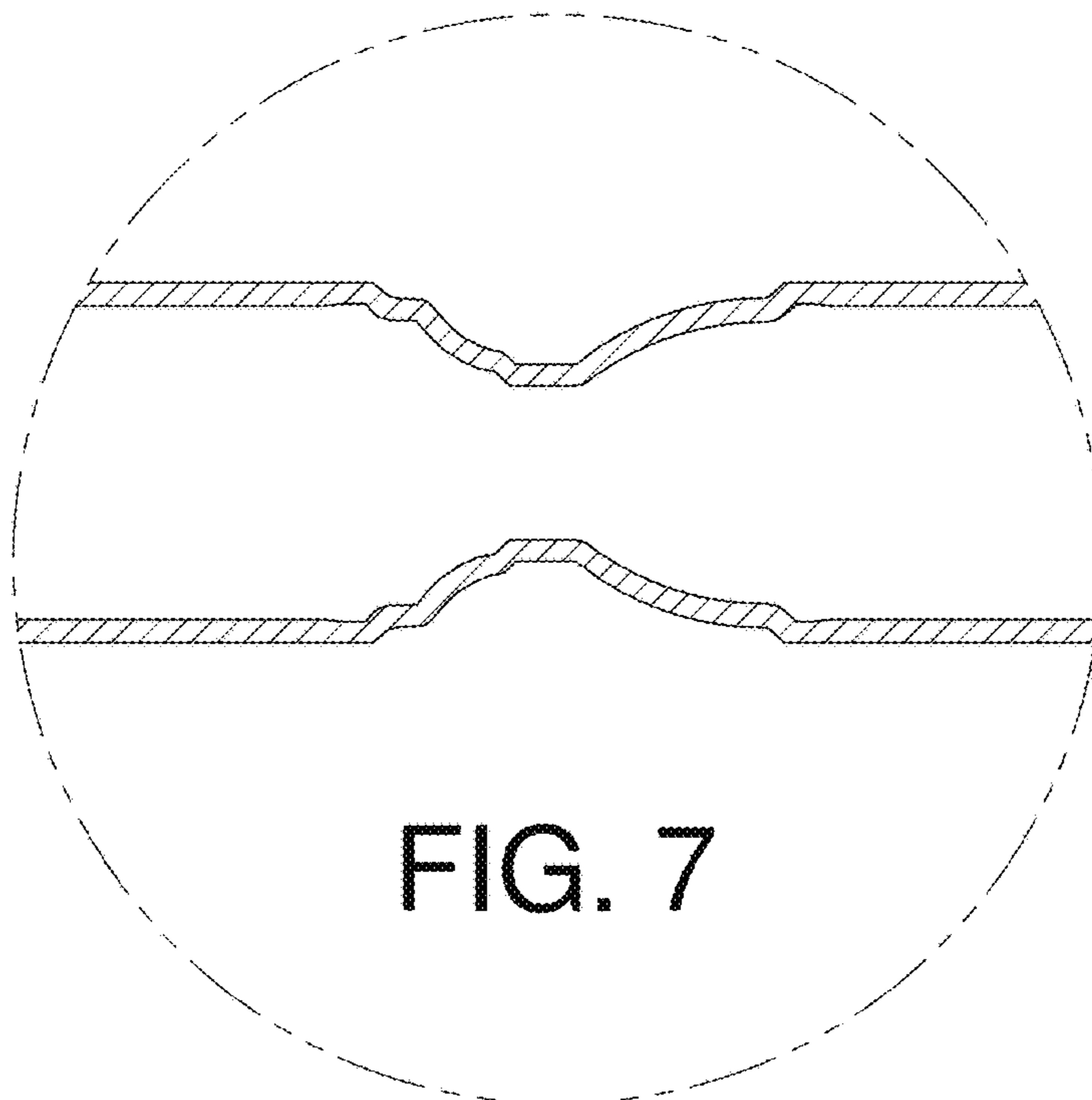
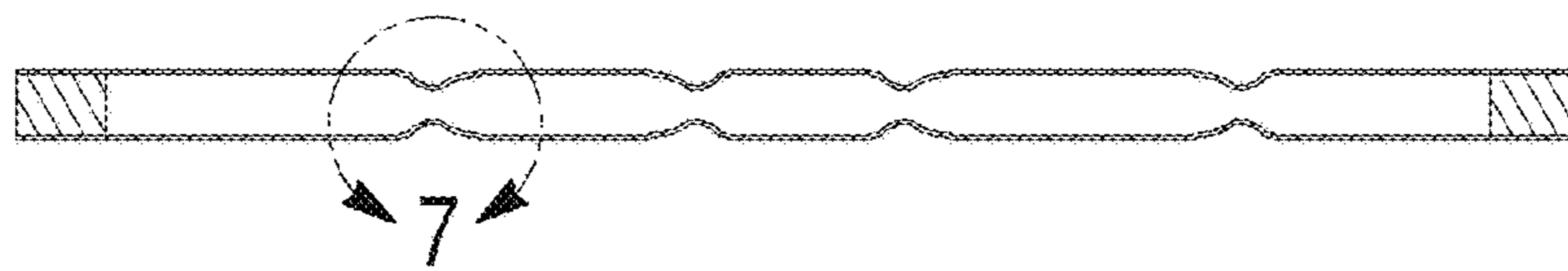


FIG. 7

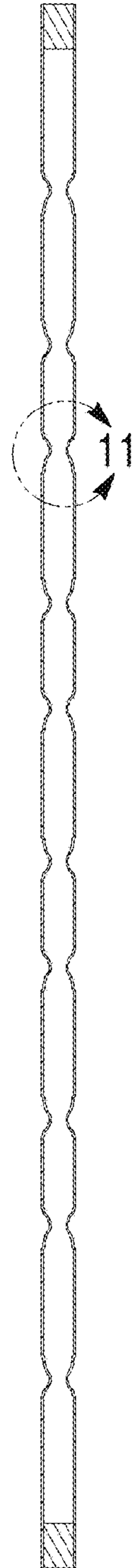
FIG. 8



FIG. 9



FIG. 10



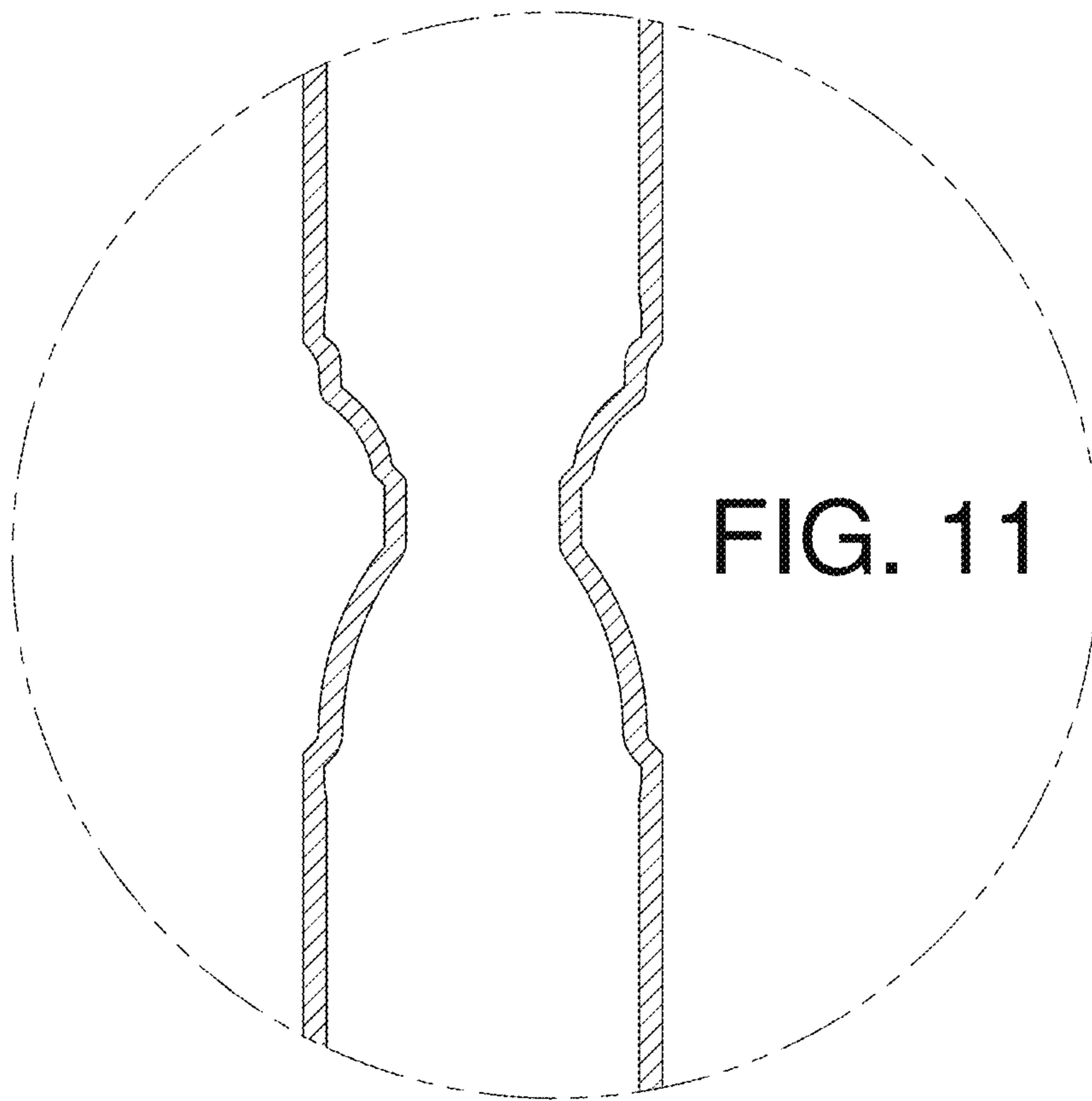


FIG. 12

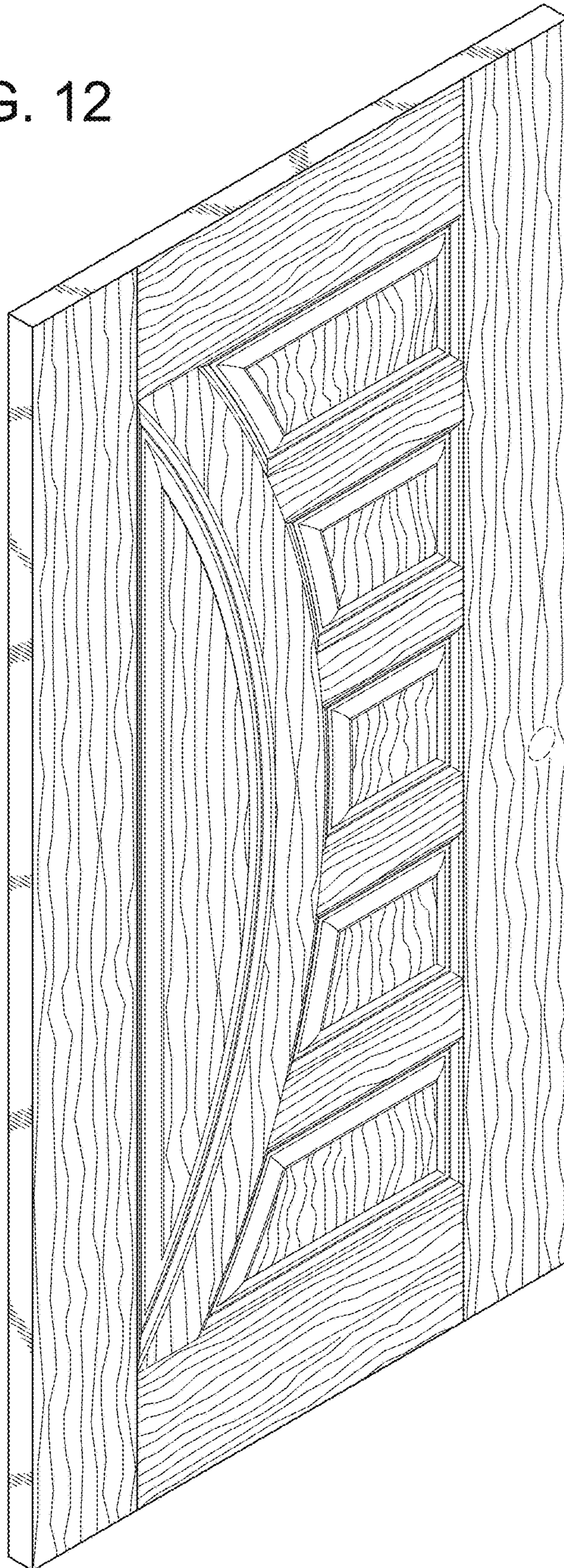


FIG. 13

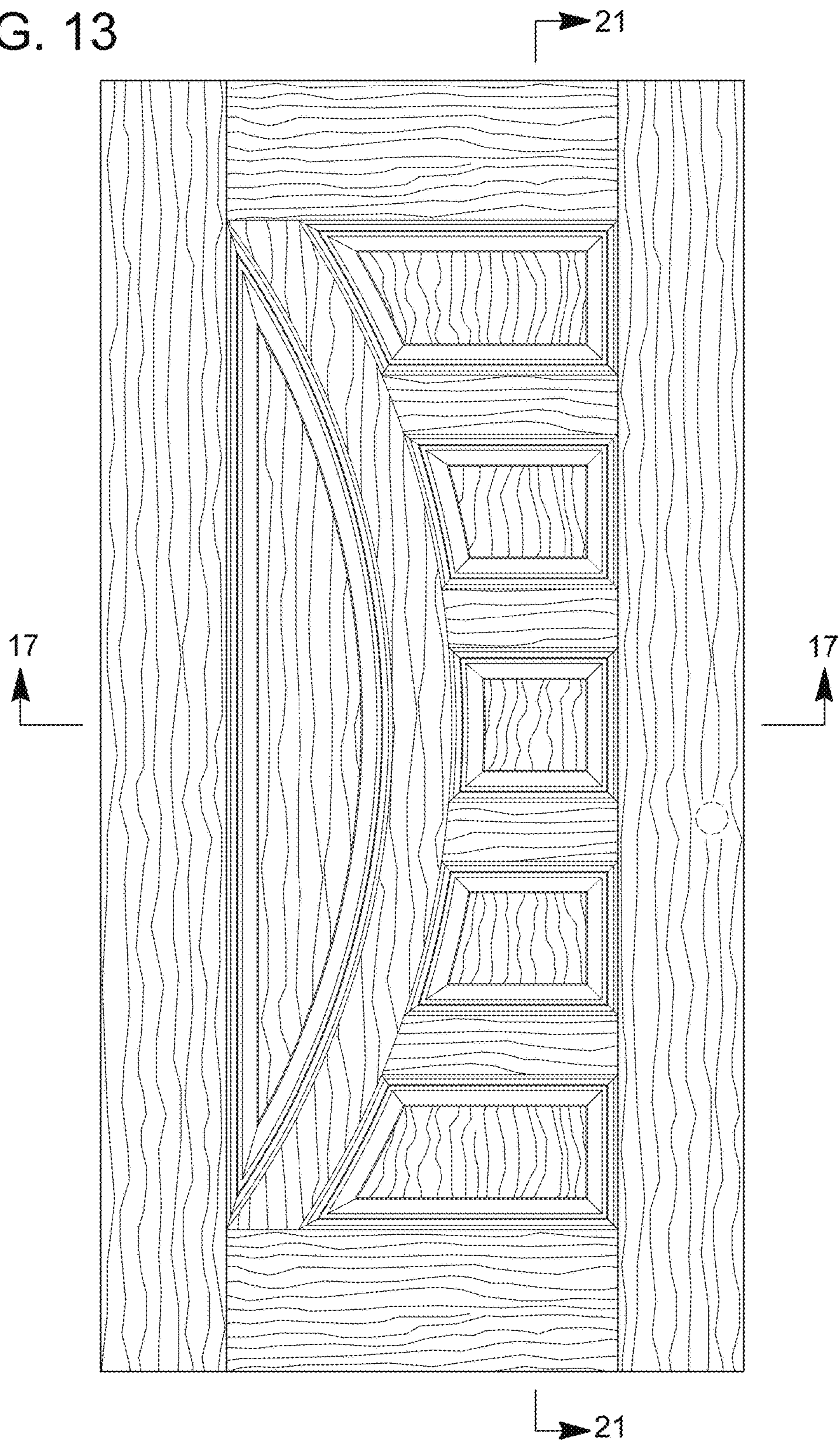


FIG. 14

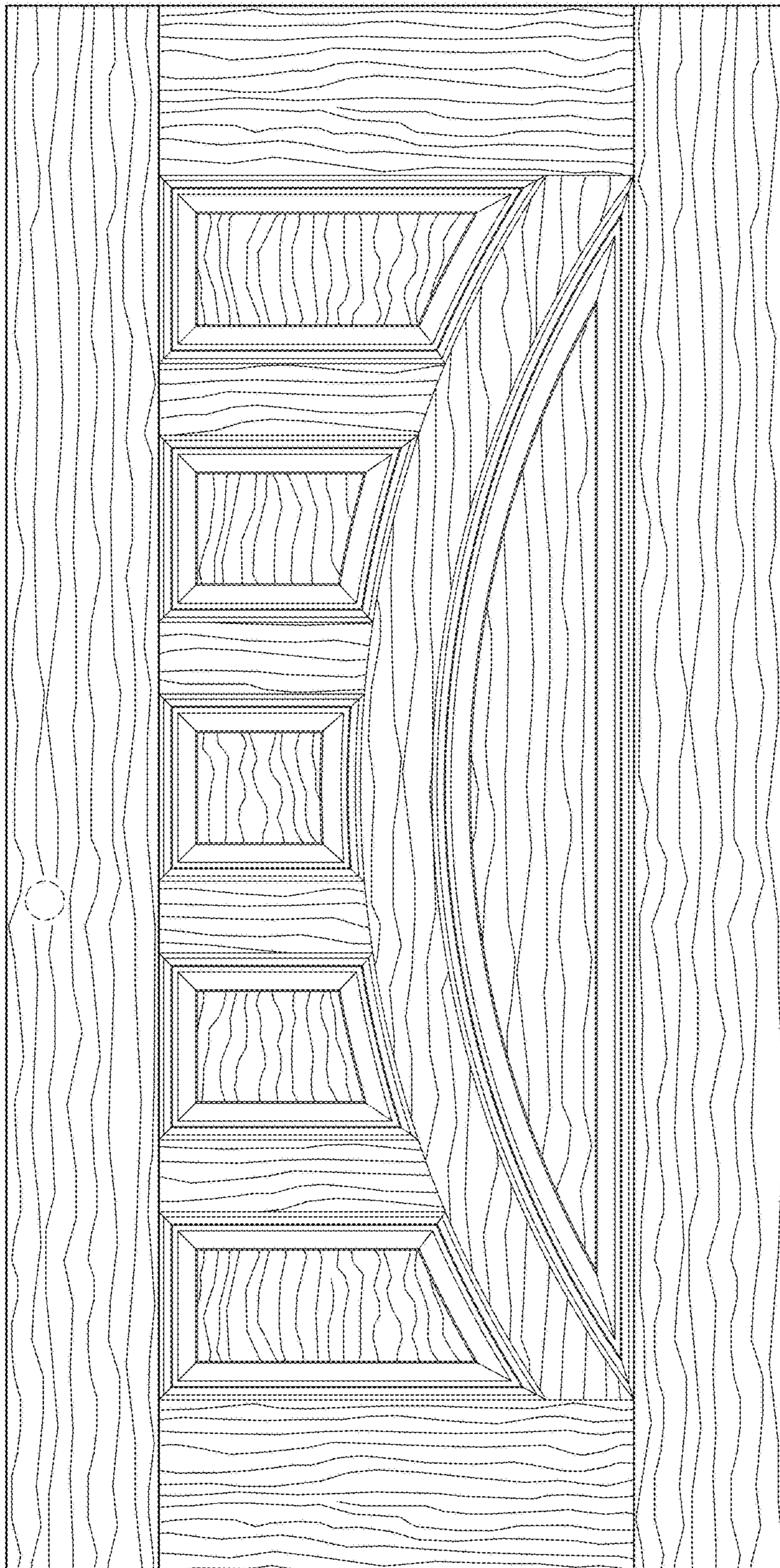


FIG. 15

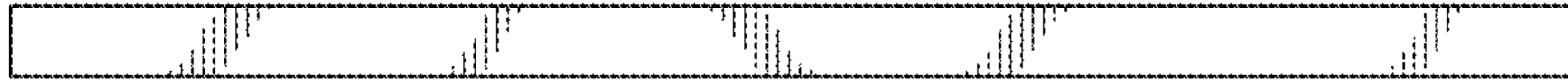


FIG. 16

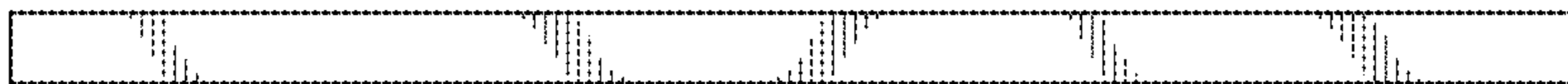


FIG. 17

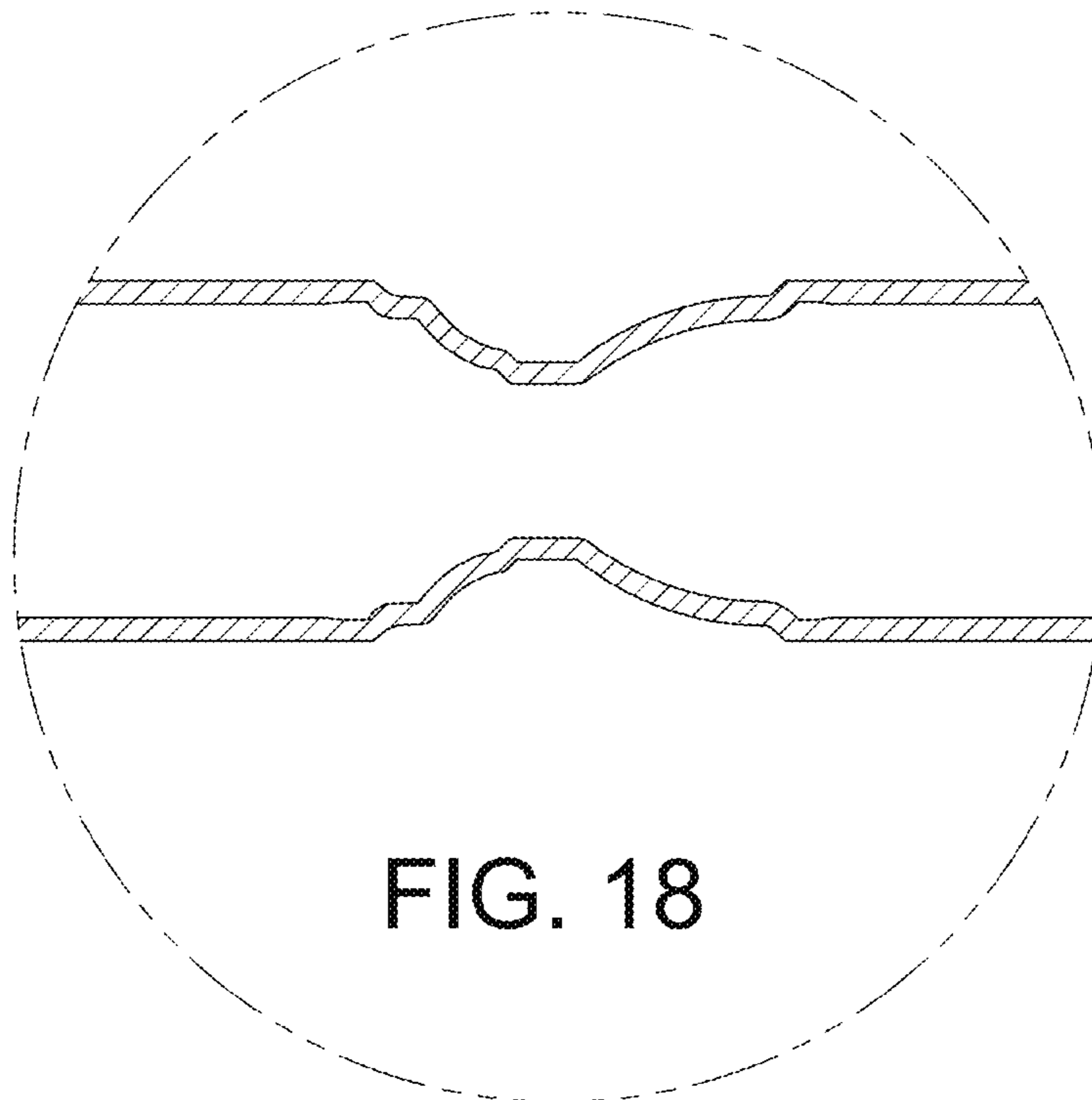
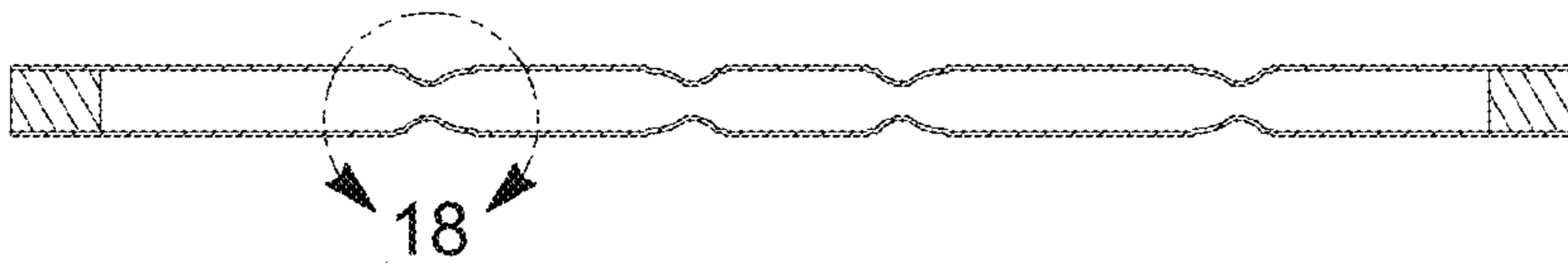


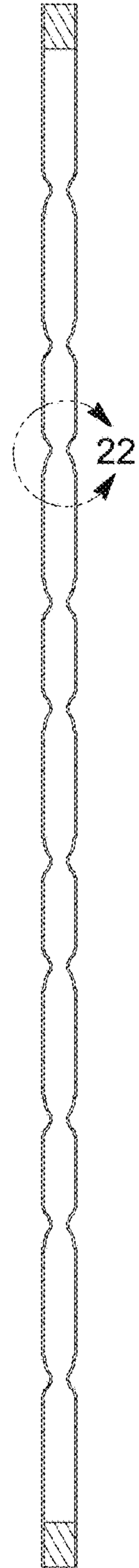
FIG. 19



FIG. 20



FIG. 21



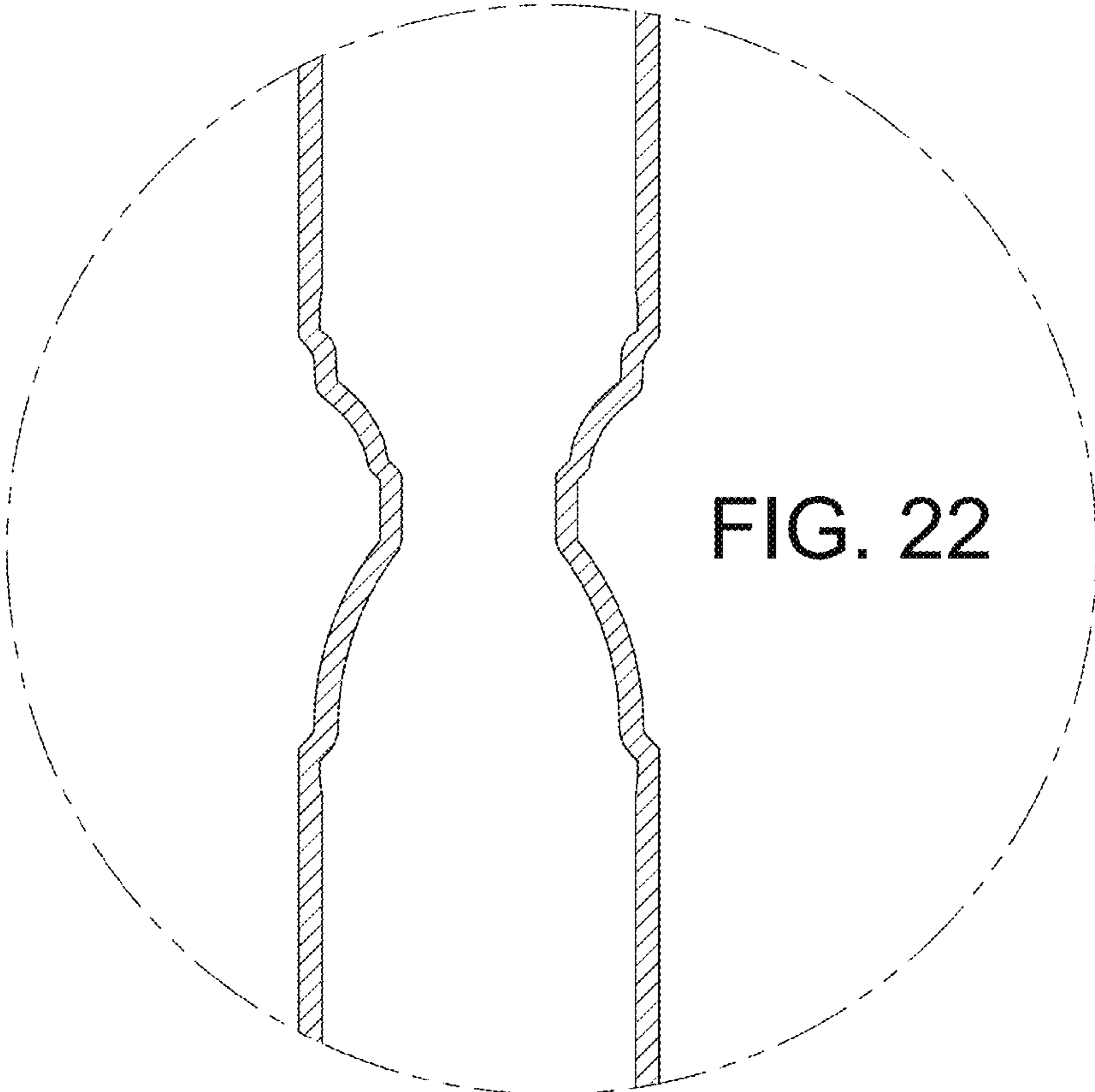


FIG. 23

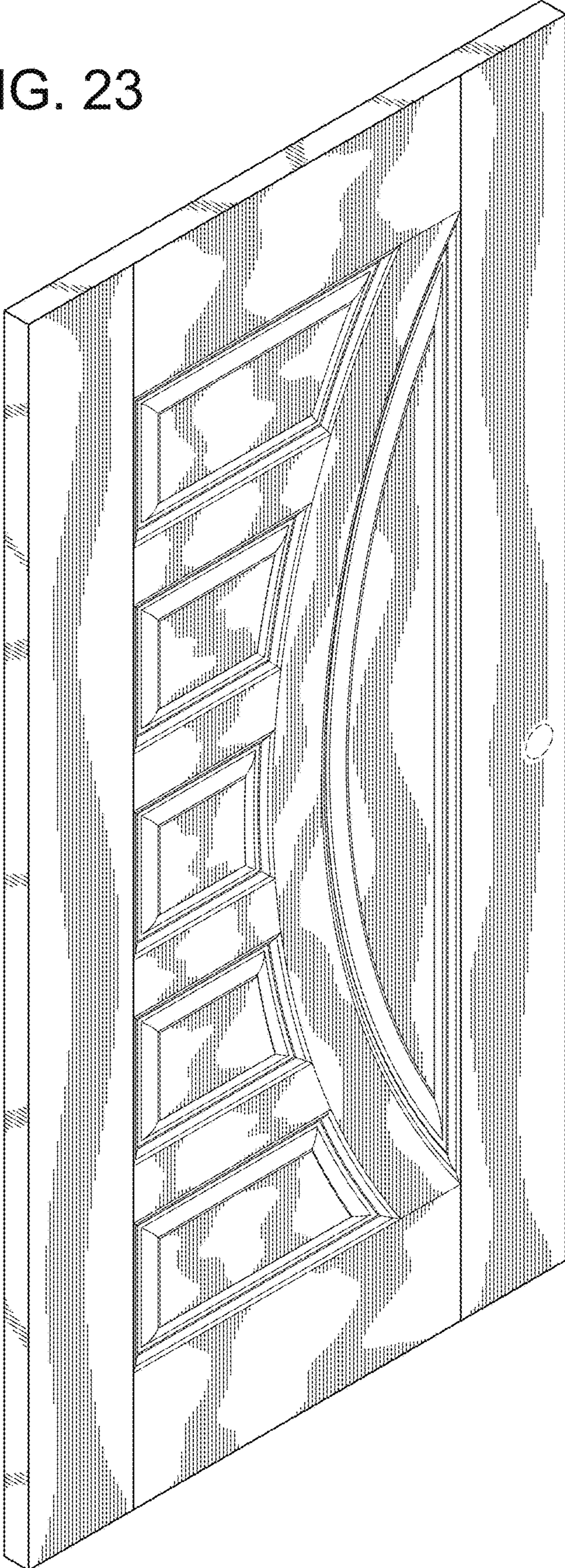


FIG. 24

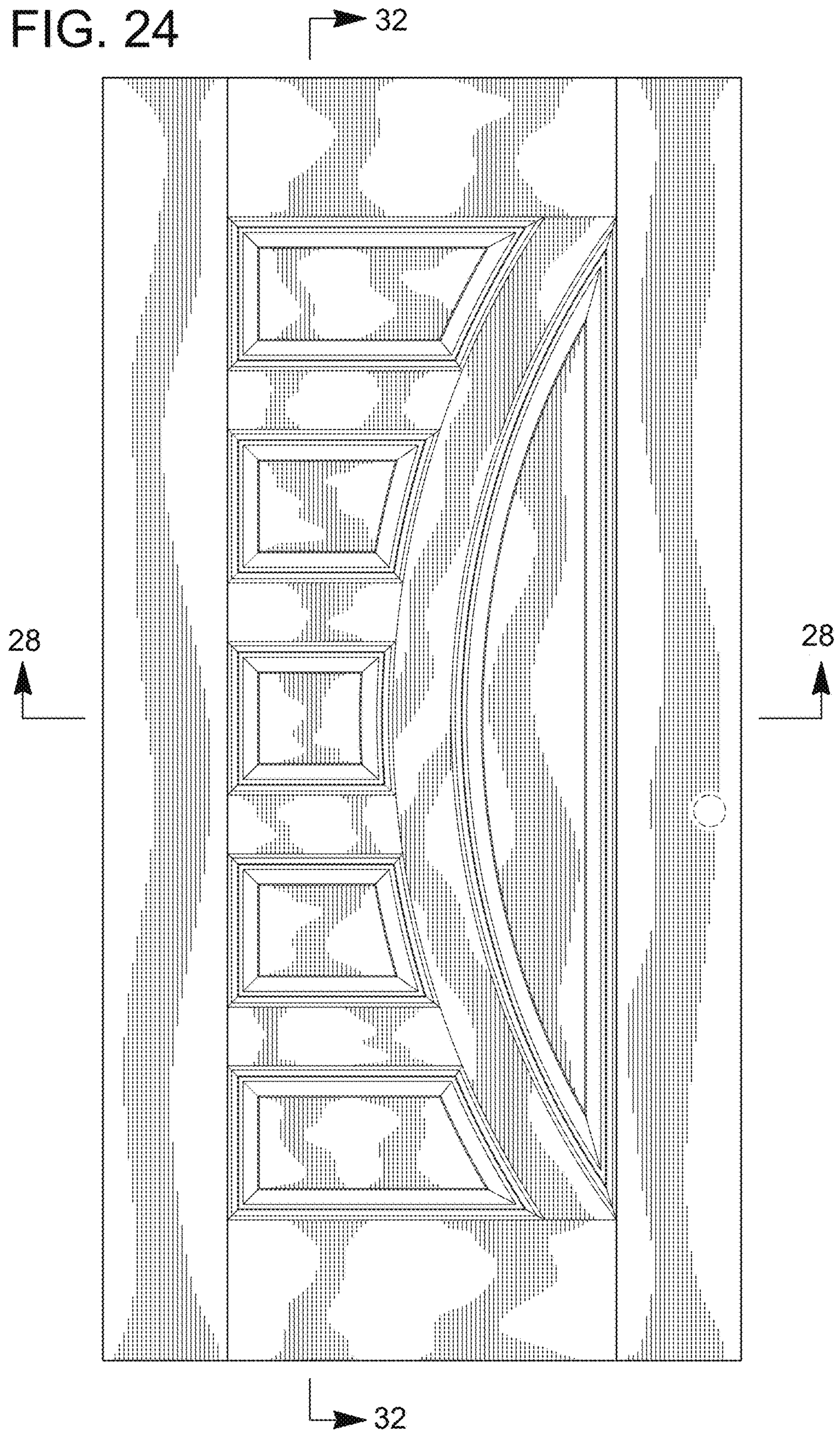


FIG. 25

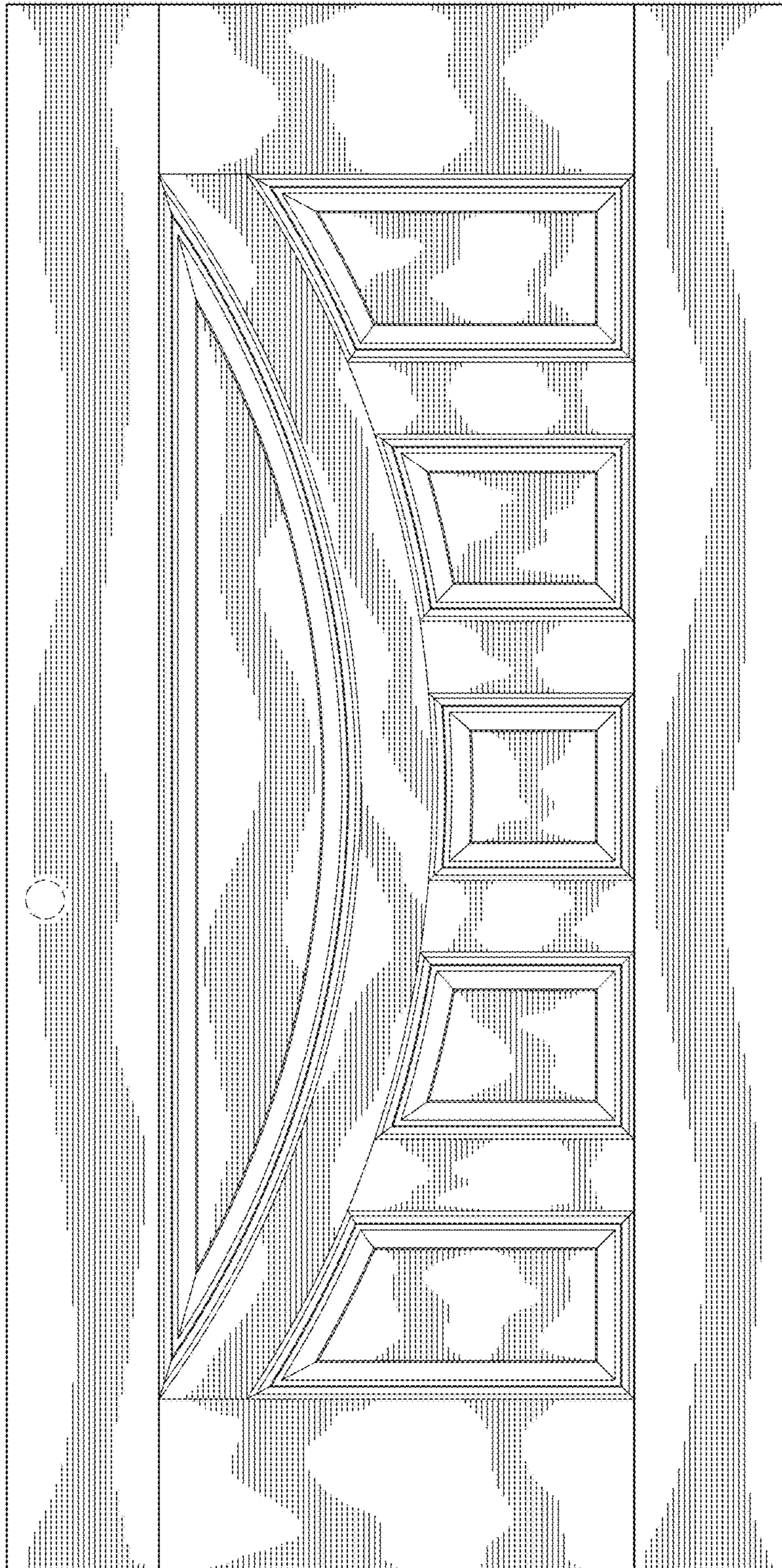


FIG. 26

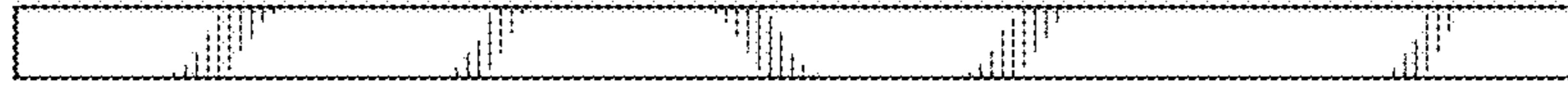


FIG. 27

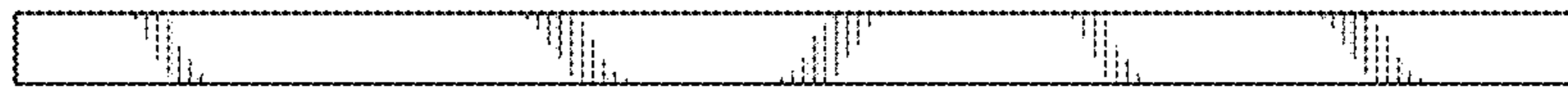


FIG. 28

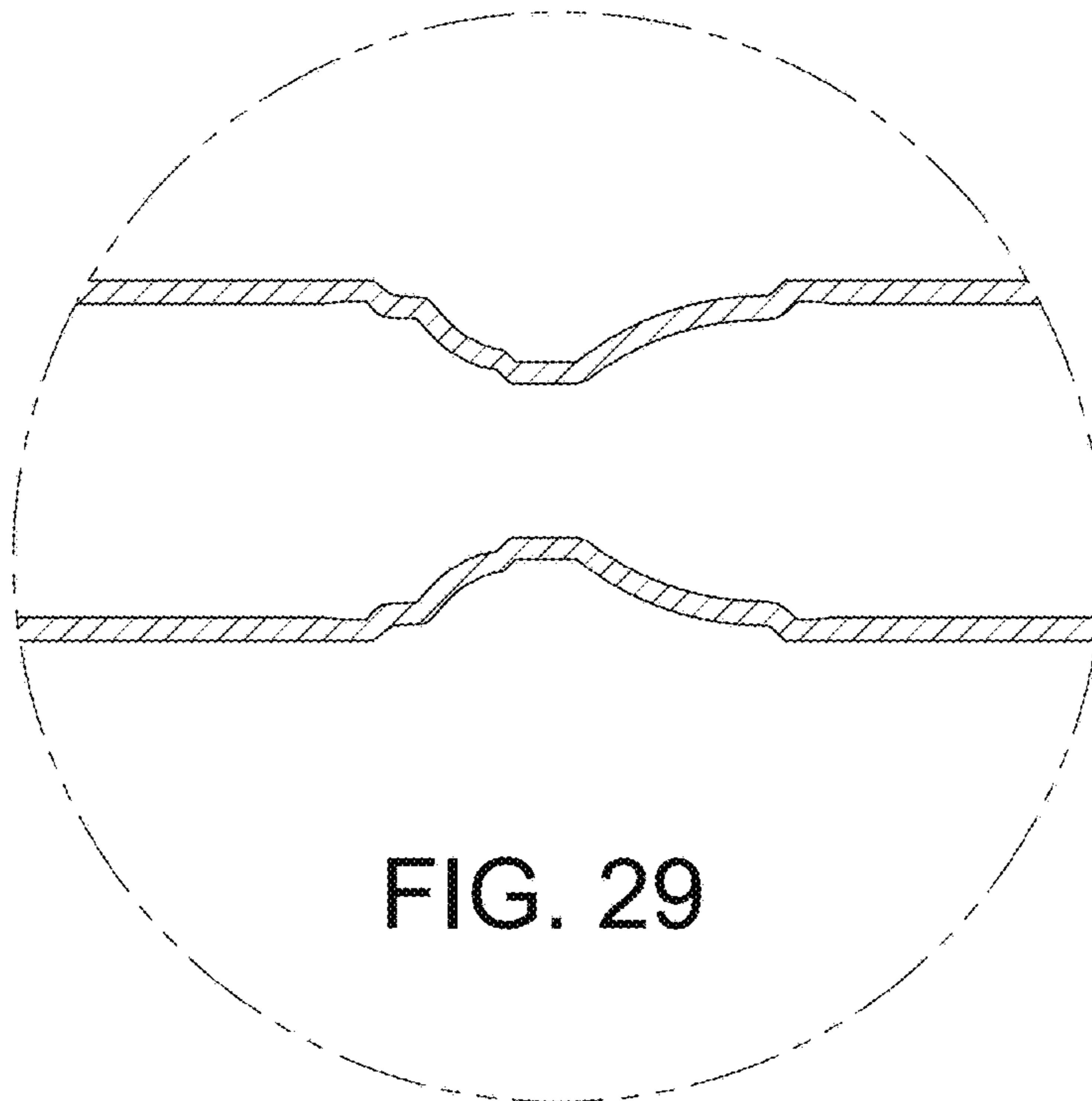
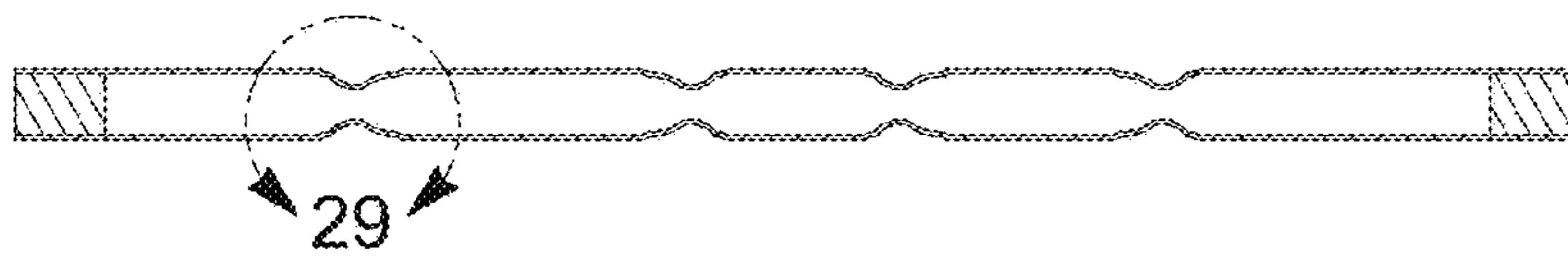


FIG. 29

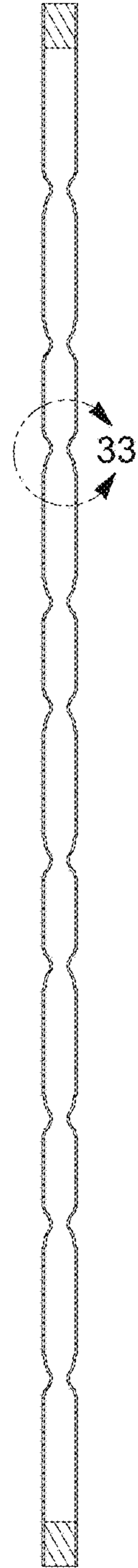
FIG. 30



FIG. 31



FIG. 32



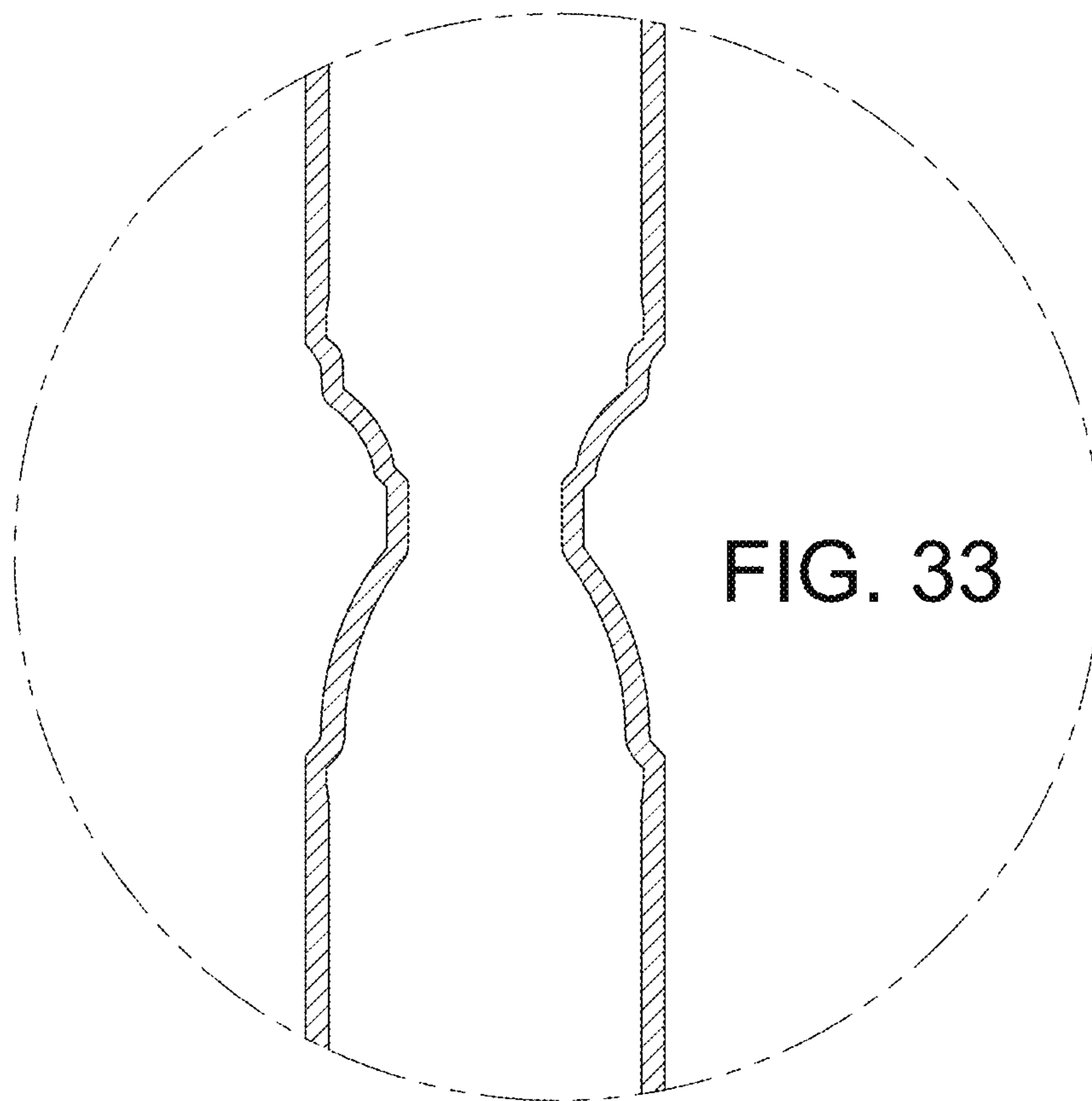


FIG. 34

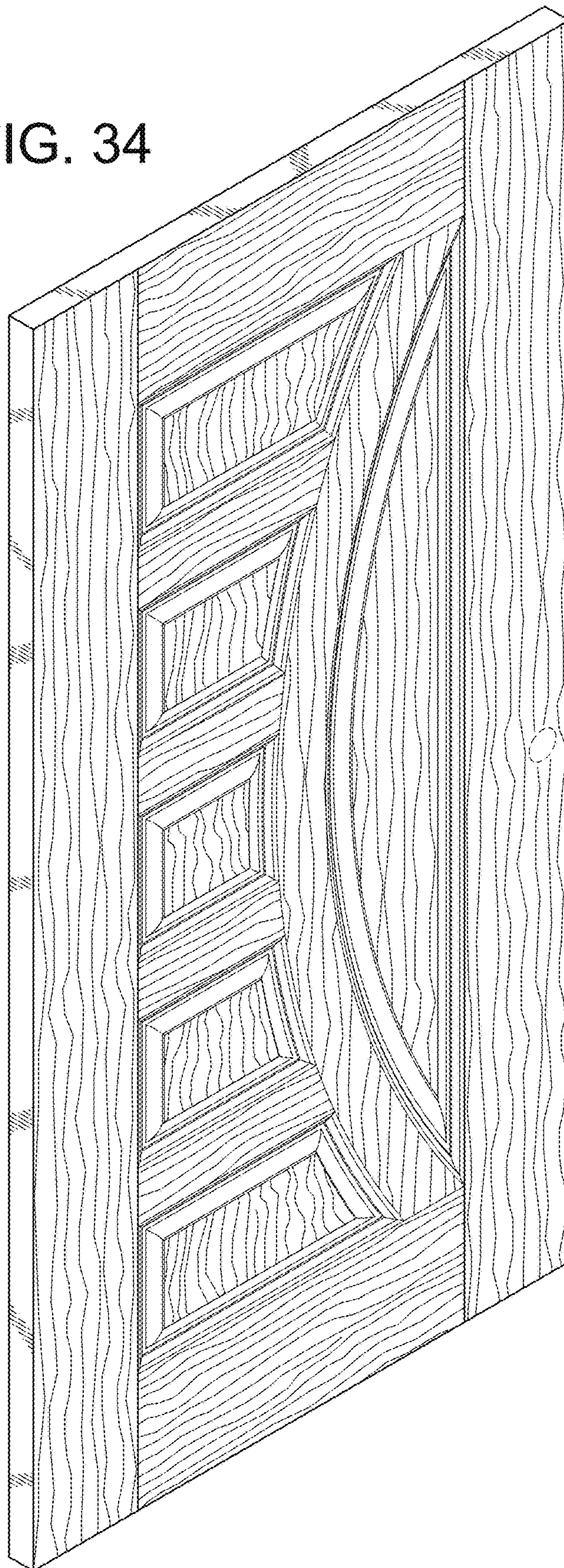


FIG. 35

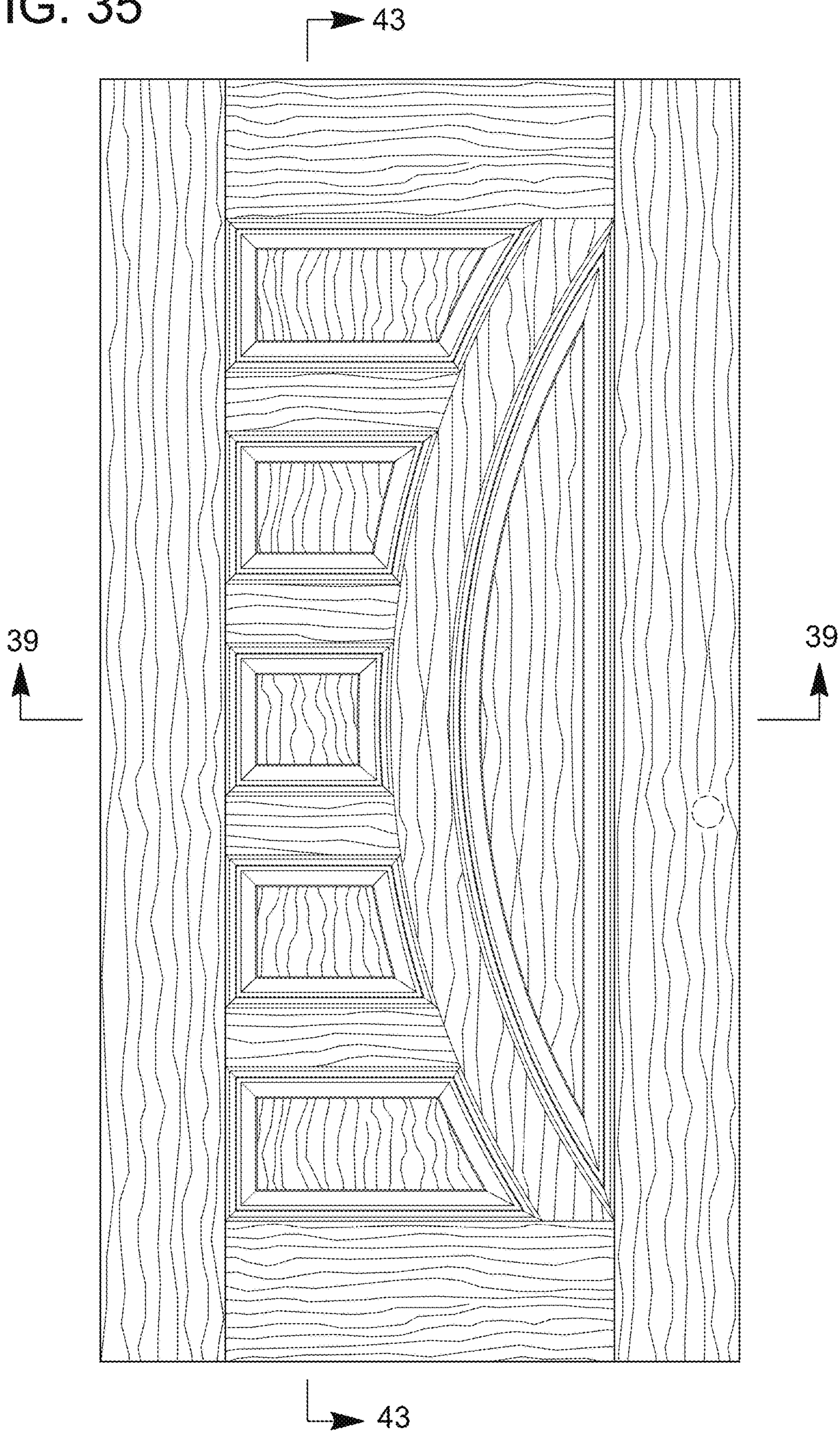


FIG. 36

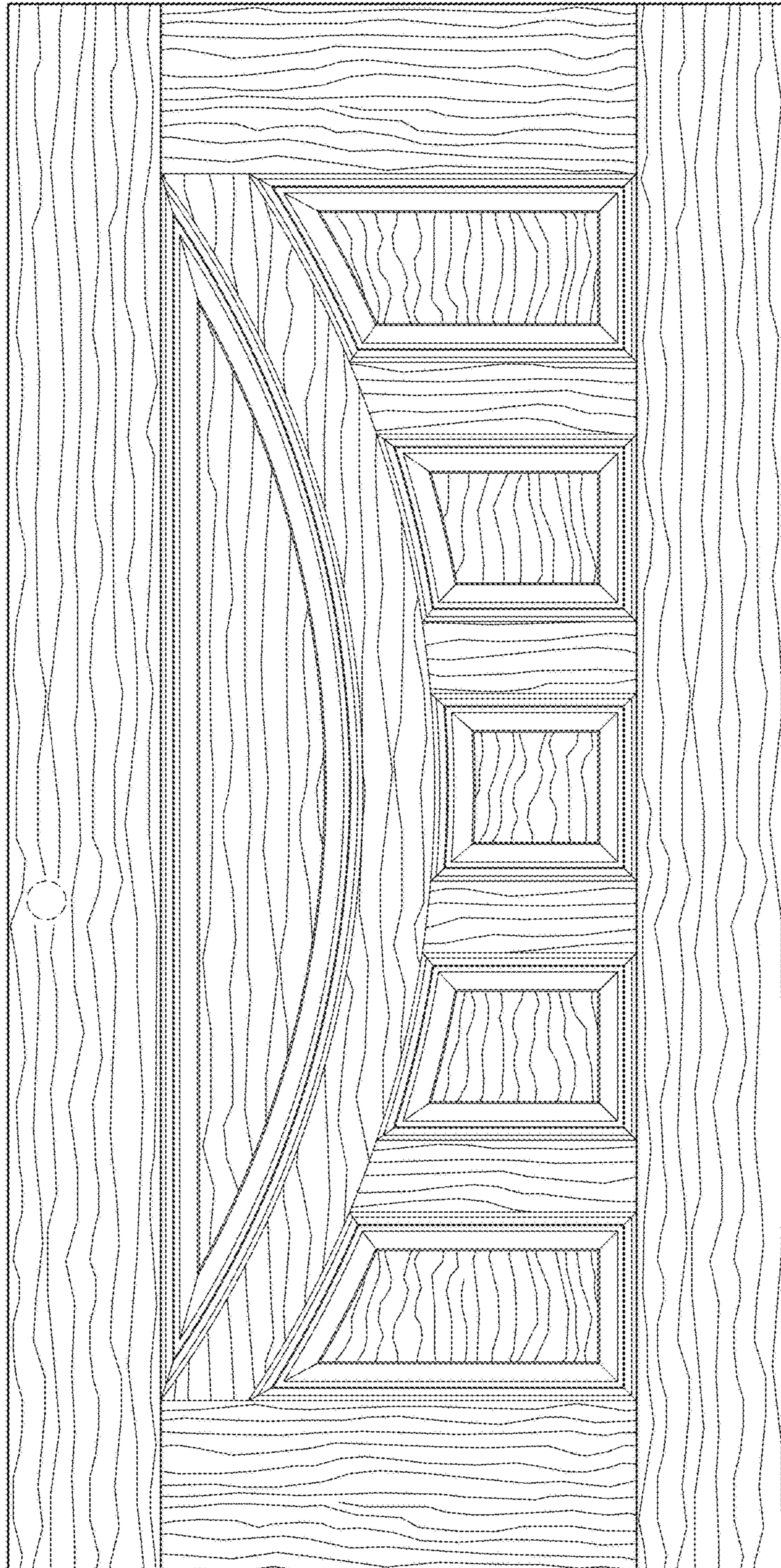


FIG. 37



FIG. 38

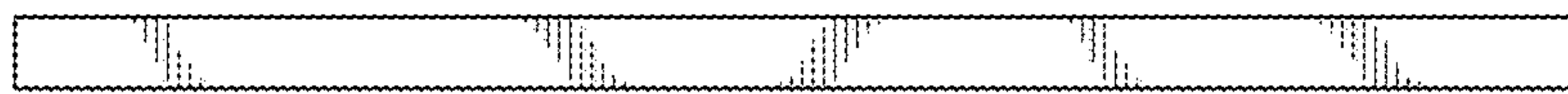


FIG. 39

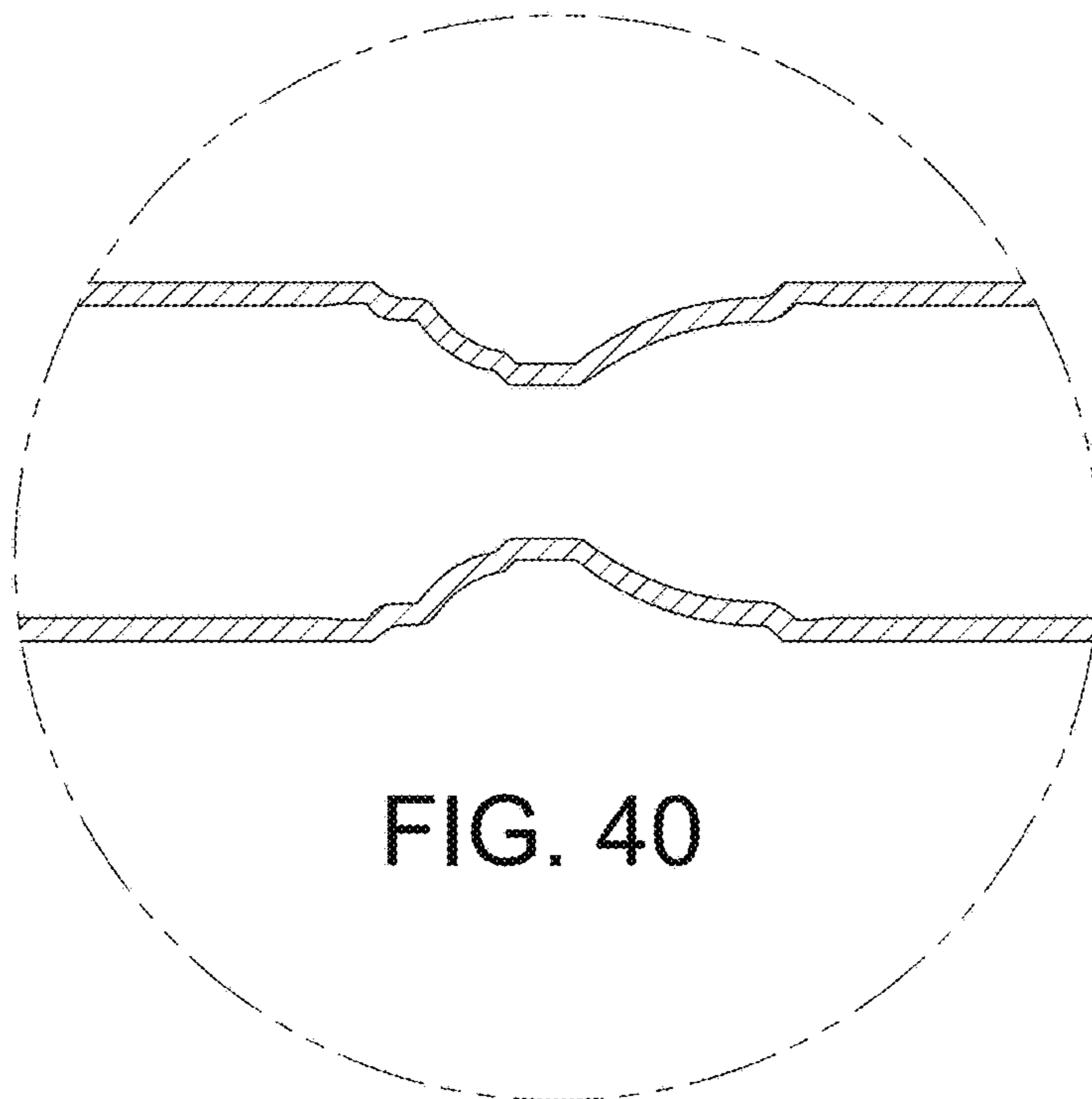
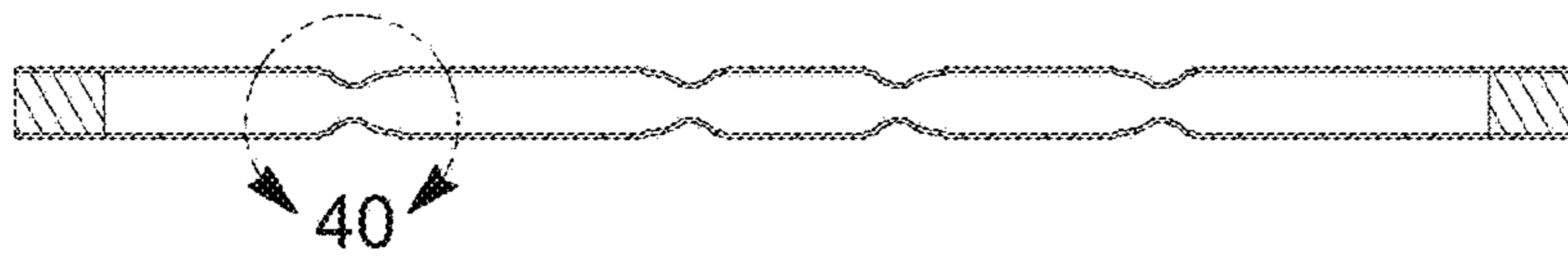


FIG. 40

FIG. 41



FIG. 42



FIG. 43

