



US00D809669S

(12) **United States Design Patent** (10) **Patent No.:** **US D809,669 S**
Filiba (45) **Date of Patent:** **** Feb. 6, 2018**

(54) **FENCE WITH OVERHANG STRUCTURE**
(71) Applicant: **COCHRANE USA INC**, Washington, DC (US)
(72) Inventor: **Luscio Filiba**, Washington, DC (US)
(73) Assignee: **COCHRANE USA, INC.**, Washington, DC (US)

(**) Term: **15 Years**
(21) Appl. No.: **29/576,313**
(22) Filed: **Sep. 1, 2016**

(30) **Foreign Application Priority Data**
Mar. 2, 2016 (ZA) F2016/00271
(51) **LOC (11) Cl.** **25-02**
(52) **U.S. Cl.**
USPC **D25/45**
(58) **Field of Classification Search**
USPC D25/38.1, 45, 46, 100; 256/2, 3, 5, 11, 256/21, 24, 33, 45, 73
CPC E04H 17/02; E04H 17/003; E04H 17/04; E04H 17/24; E04H 17/161; E04H 17/163
See application file for complete search history.

(56) **References Cited**
U.S. PATENT DOCUMENTS
4,673,166 A * 6/1987 MacDougall E04H 17/003 256/1
D424,702 S * 5/2000 Binns D25/45
D605,781 S * 12/2009 Cochrane D25/45
D653,771 S * 2/2012 Olmsted D25/138
2011/0062404 A1 * 3/2011 Shepherd E04H 17/161 256/34

2013/0048934 A1* 2/2013 Cochrane E04H 17/161 256/24
2014/0353564 A1* 12/2014 Shepherd E04H 17/04 256/24
2015/0315809 A1* 11/2015 Catteuw E04H 17/161 256/24

FOREIGN PATENT DOCUMENTS

EM 000901434-0001 * 6/2008

OTHER PUBLICATIONS

<http://lwiro.blogspot.com/2011/08/chimpanzee-habitat-for-conservation-and.html> Posted Aug. 2, 2011.*

* cited by examiner

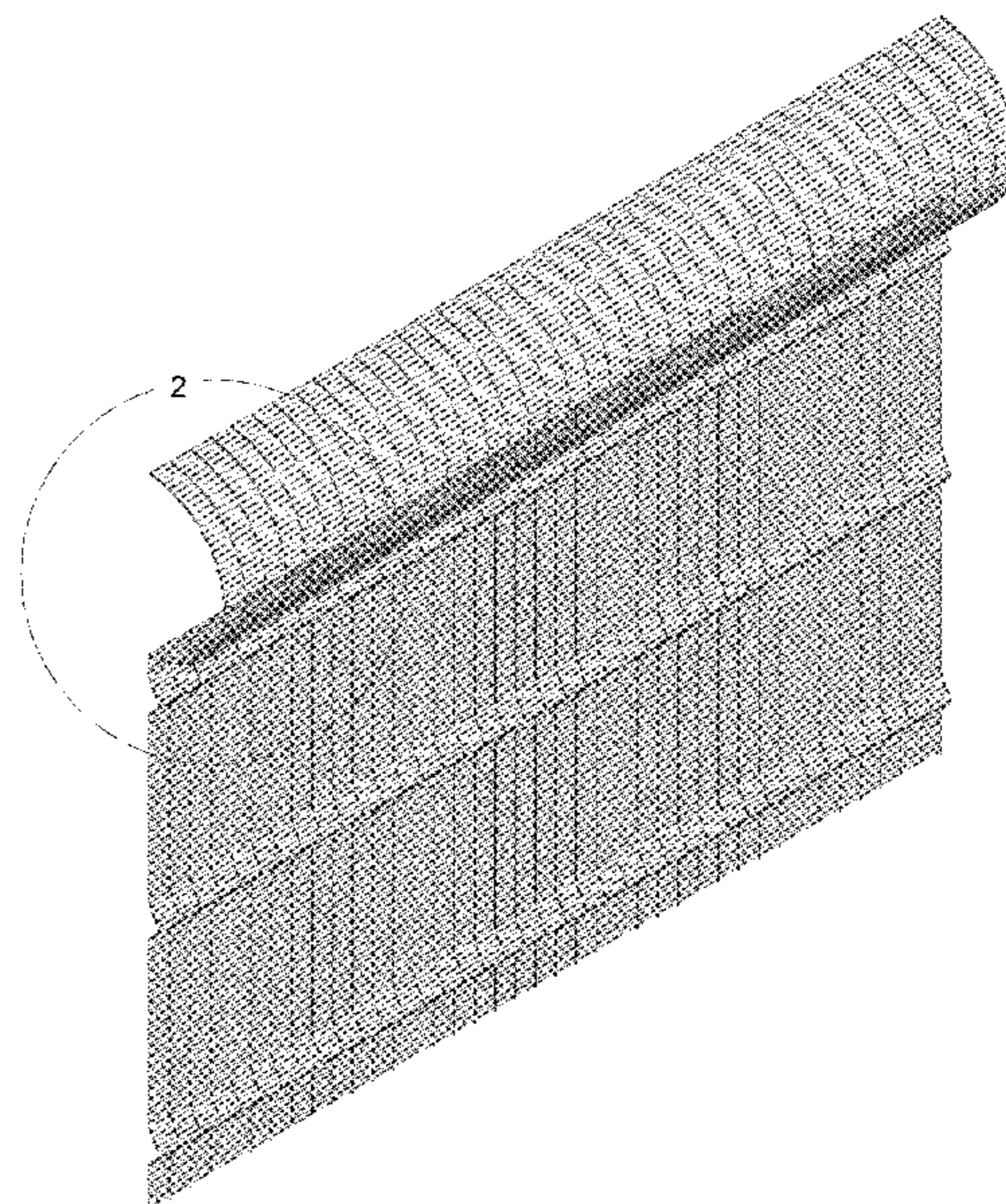
Primary Examiner — Susan Bennett Hattan
Assistant Examiner — Leanne Was-Englehart
(74) *Attorney, Agent, or Firm* — Tutunjian & Bitetto, P.C.

(57) **CLAIM**
The ornamental design for a fence with overhang structure, as shown and described.

DESCRIPTION

FIG. 1 is a perspective view of the fence with overhang structure;
FIG. 2 is a detailed view of mesh thereof;
FIG. 3 is a view from one side thereof;
FIG. 4 is a front view thereof;
FIG. 5 is a view from an opposing side thereof;
FIG. 6 is a rear view thereof;
FIG. 7 is a plan view from above thereof; and,
FIG. 8 is a plan view from below thereof.
The broken lines in FIGS. 1 and 2 depict the limits of the enlarged view and form no part of the claimed design.

1 Claim, 5 Drawing Sheets



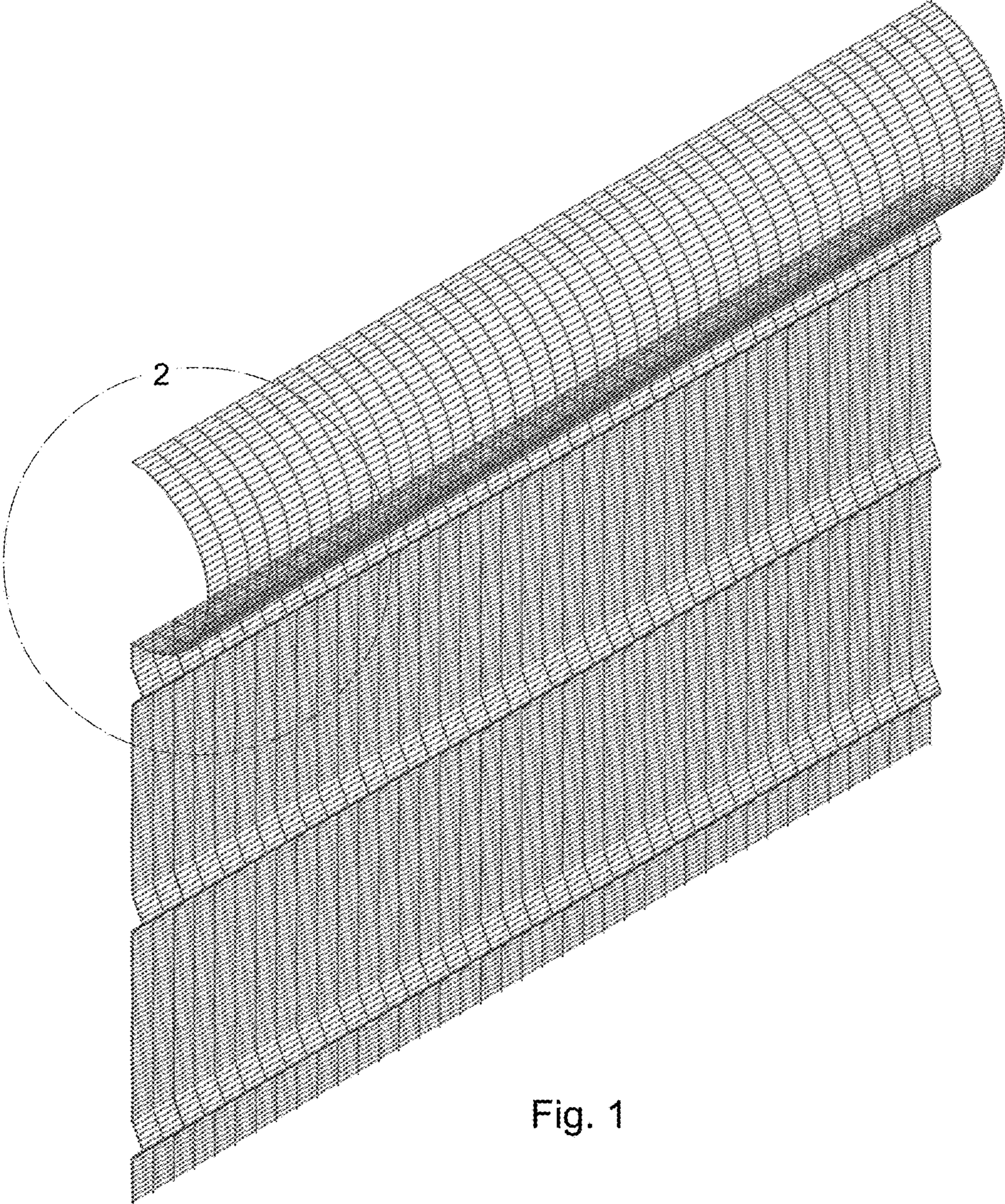


Fig. 1

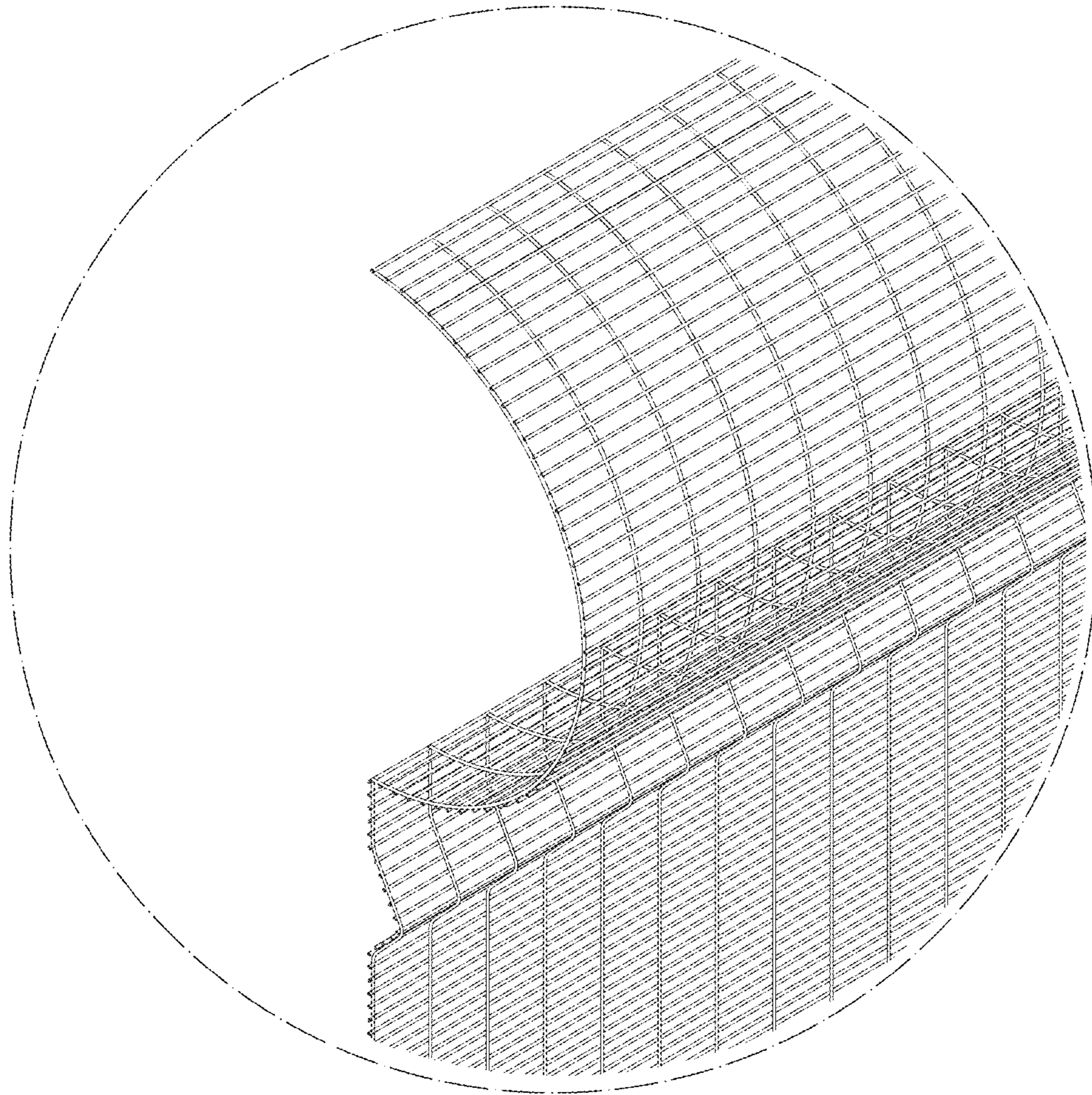


Fig. 2

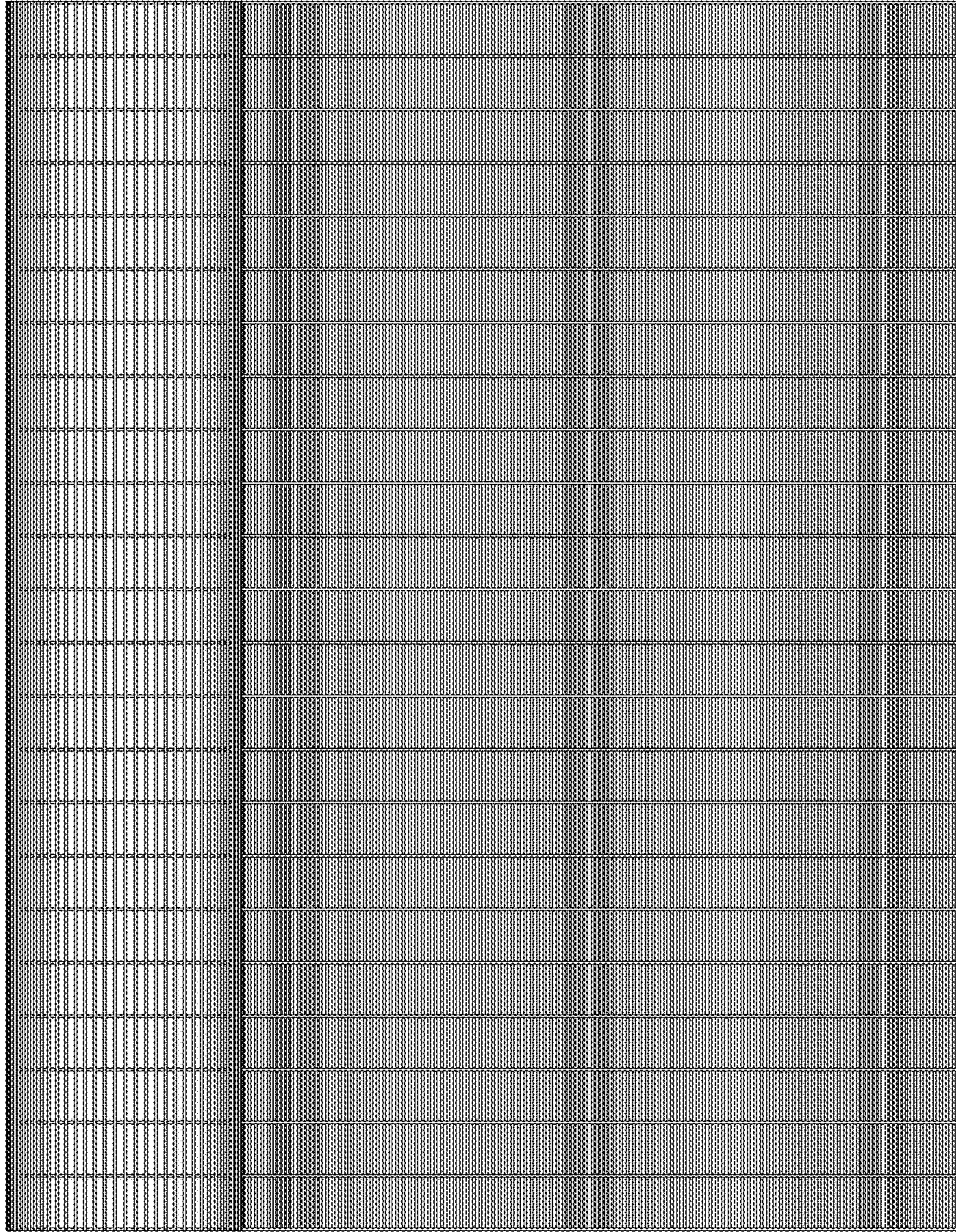


Fig. 4



Fig. 3

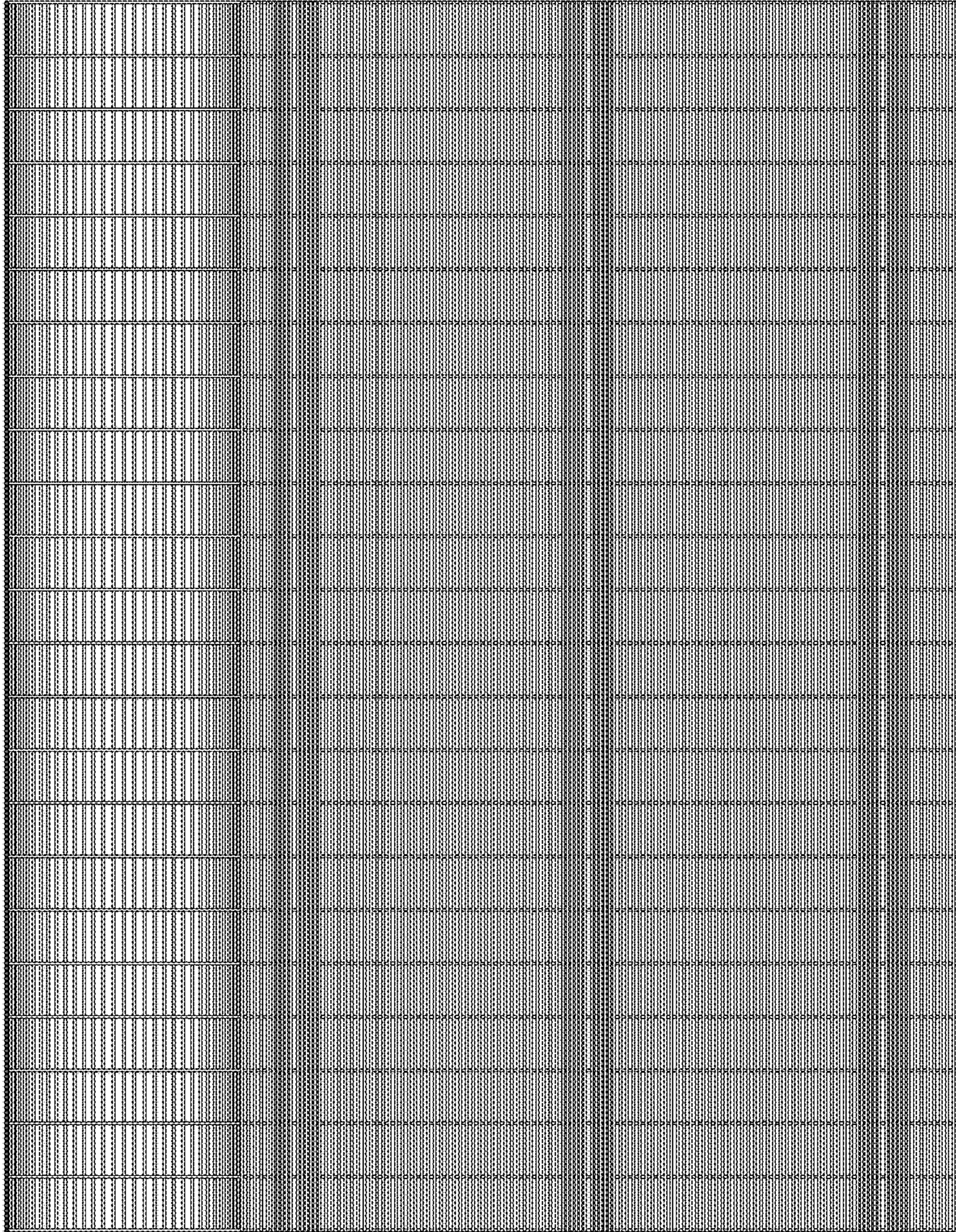


Fig. 6



Fig. 5

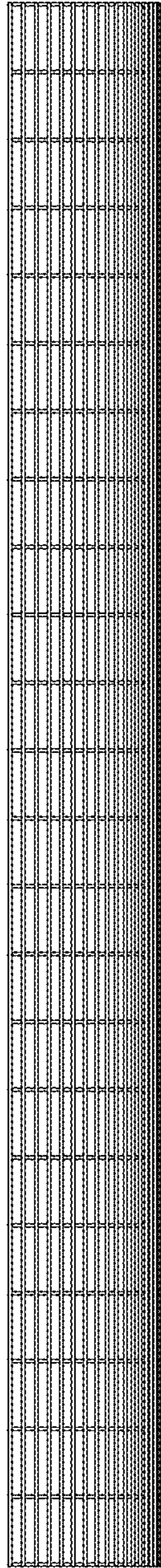


Fig. 7

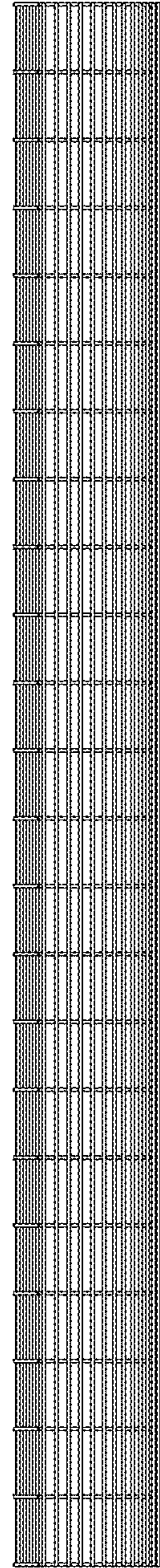


Fig. 8