



US00D809668S

(12) **United States Design Patent** (10) **Patent No.:** **US D809,668 S**
Ramsamy (45) **Date of Patent:** **** Feb. 6, 2018**

(54) **UPPER PART OF A PIPETTE**
 (71) Applicant: **GILSON SAS**, Villiers Le Bel (FR)
 (72) Inventor: **Sanjay Ramsamy**, Sarcelles (FR)

D625,429 S * 10/2010 Link D24/222
 D635,273 S * 3/2011 Malvoisin D24/222
 D635,274 S * 3/2011 Malvoisin D24/222
 D664,263 S * 7/2012 Ramsamy D24/222
 D672,469 S * 12/2012 Christensen D24/222
 D674,913 S * 1/2013 Koop D24/222

(**) Term: **15 Years**

(Continued)

Primary Examiner — Rhea Shields

(21) Appl. No.: **35/500,899**

(57) **CLAIM**

(22) Filed: **Apr. 8, 2016**

The ornamental design of an upper part of a pipette, as shown and described.

(80) **Hague Agreement Data**

Int. Filing Date: **Apr. 8, 2016**
 Int. Reg. No.: **DM/090253**
 Int. Reg. Date: **Apr. 8, 2016**
 Int. Reg. Pub. Date: **May 6, 2016**

DESCRIPTION

(51) **LOC (11) Cl.** **24-00**

(52) **U.S. Cl.**
USPC **D24/222**

(58) **Field of Classification Search**
 USPC D24/222, 133, 121; 7/151
 CPC B01L 3/021; B01L 3/0217
 See application file for complete search history.

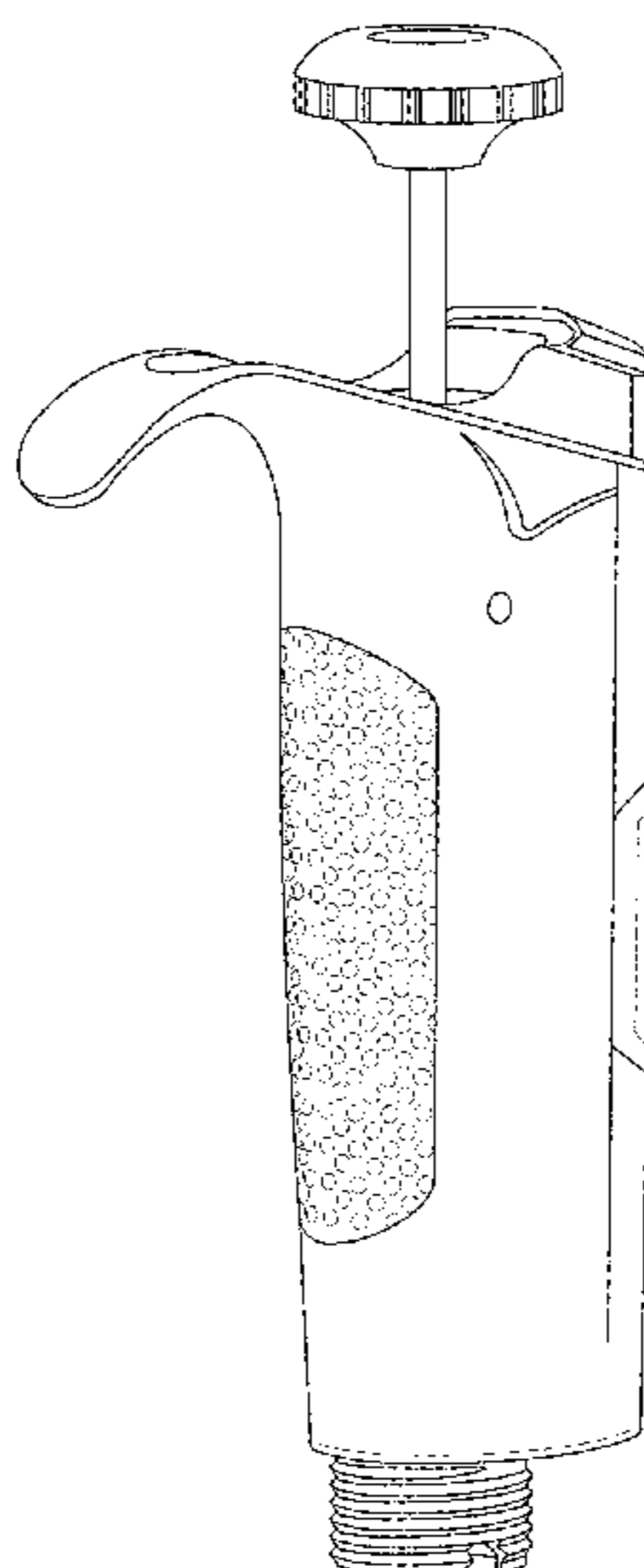
1. Upper part of a pipette
1.1 is a left side view of a pipette showing my new design, the pipette being in a first state with a member depressed;
1.2 is a front view thereof in the first state;
1.3 is a bottom view thereof in the first state;
1.4 is a rear view thereof in the first state;
1.5 is a bottom perspective view thereof in the first state;
1.6 is a right side perspective view thereof in the first state;
1.7 is a right side view thereof in the first state;
1.8 is a rear perspective view thereof in the first state;
1.9 is a top view thereof in the first state;
1.10 is a bottom view thereof, the pipette being in a second state with the member extended;
1.11 is a front view thereof in the second state;
1.12 is a rear view thereof in the second state;
1.13 is a rear perspective view thereof in the second state;
1.14 is a bottom perspective view thereof in the second state;
1.15 is a right side perspective view thereof in the second state;
1.16 is a top view thereof in the second state;
1.17 is a left side view thereof in the second state; and,
1.18 is a right side view thereof in the second state.
 In the drawings, the broken lines are for the purpose of illustrating environment only and form no part of the claimed design.

(56) **References Cited**

U.S. PATENT DOCUMENTS

D375,798 S * 11/1996 Boothby D24/222
 5,950,504 A * 9/1999 Italia B01L 3/021
 7/151
 D419,685 S * 1/2000 Jacquet D24/222
 D426,643 S * 6/2000 Rainin D24/222
 D438,630 S * 3/2001 Honore D24/222
 D510,629 S * 10/2005 Piacenza D24/121
 D550,854 S * 9/2007 Gomes D24/222
 D561,346 S * 2/2008 Alejos D24/222
 D584,418 S * 1/2009 Rylski D24/222
 D584,828 S * 1/2009 Rylski D24/222
 D589,625 S * 3/2009 Alejos D24/222
 D592,314 S * 5/2009 Guo D24/222
 D596,756 S * 7/2009 Ayliffe D24/222

1 Claim, 18 Drawing Sheets



(56)

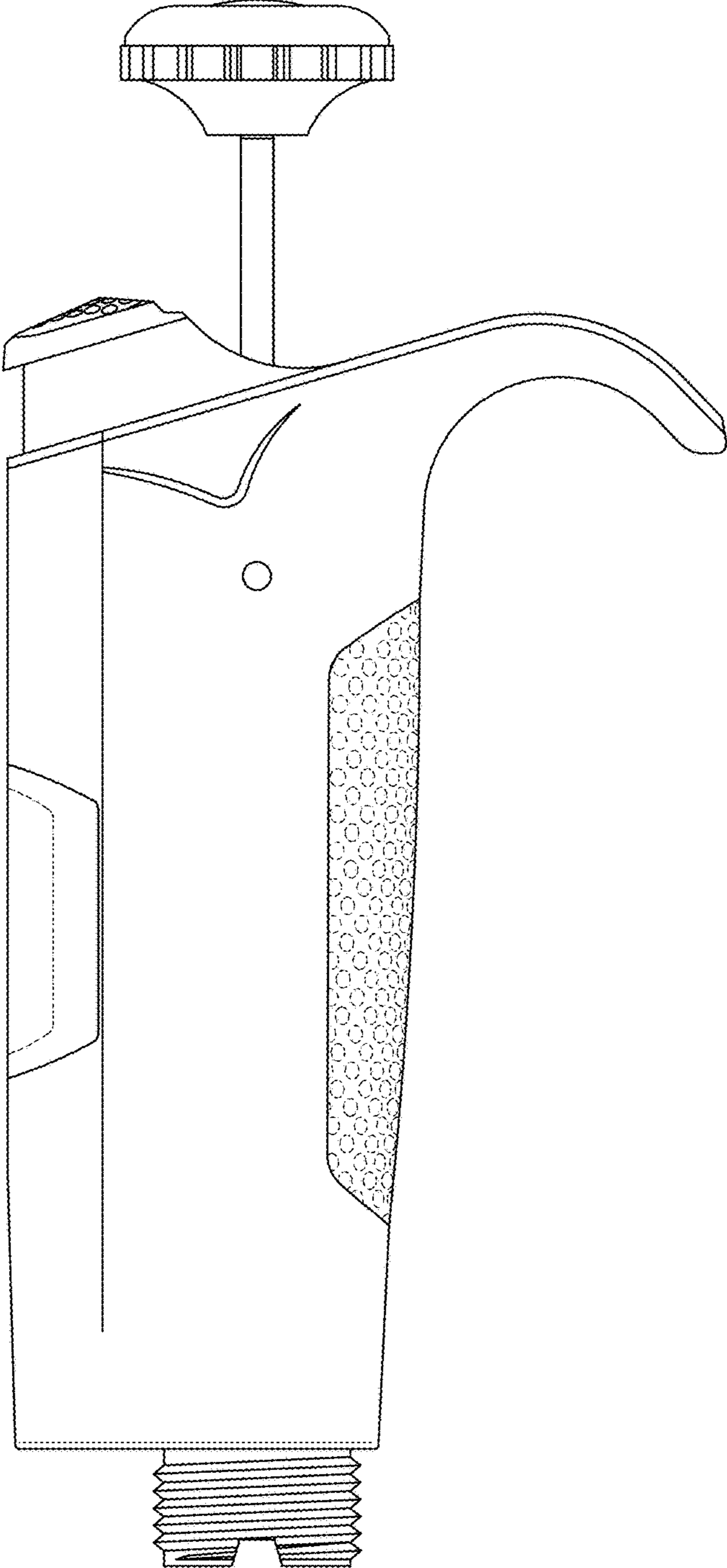
References Cited

U.S. PATENT DOCUMENTS

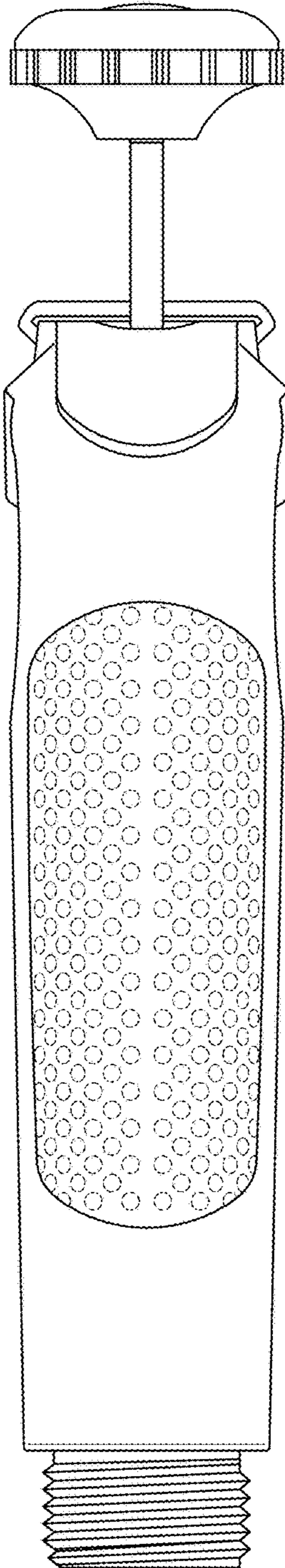
D697,633	S	*	1/2014	Hintikka	D24/222
D701,321	S	*	3/2014	McEtchin	D24/222
D703,828	S	*	4/2014	Jackson	D24/222
D731,668	S	*	6/2015	Kwak	D24/222
D770,056	S	*	10/2016	LaCroix	D24/222
D771,250	S	*	11/2016	Zhang	D24/133
9,566,580	B2	*	2/2017	Jaaskelainen	B01L 3/0217

* cited by examiner

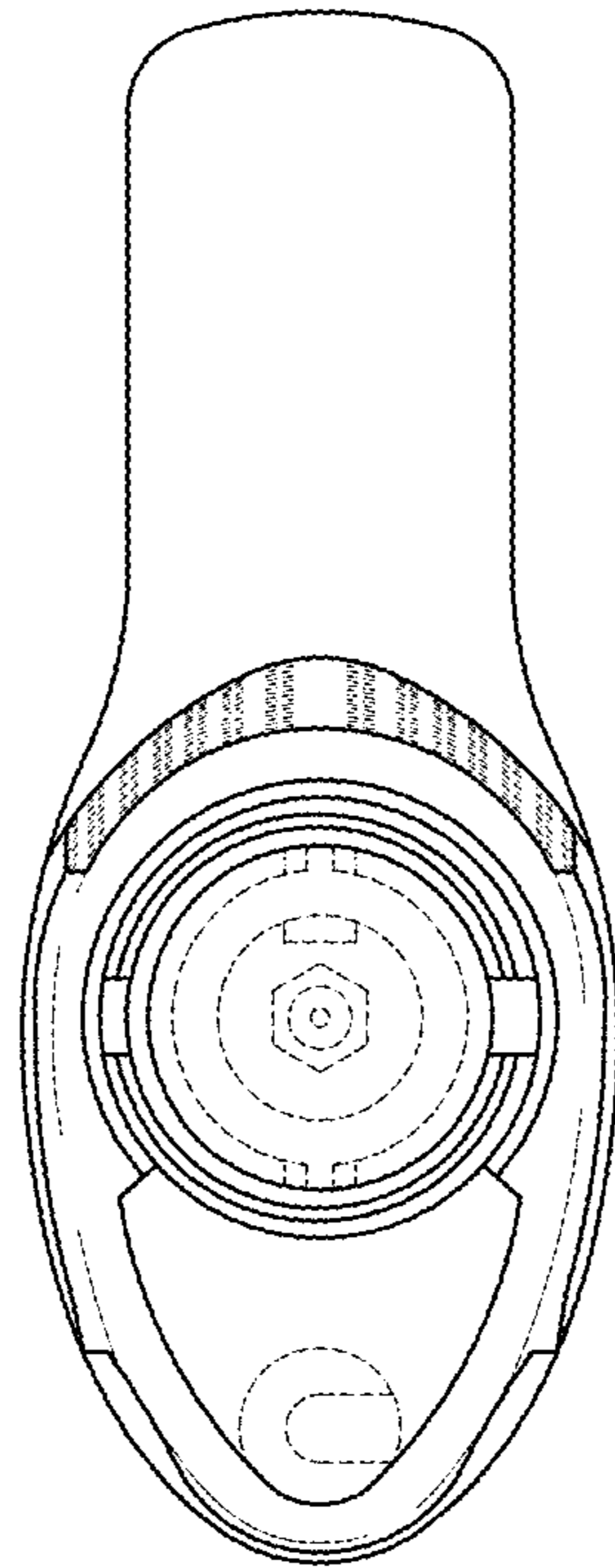
1.1



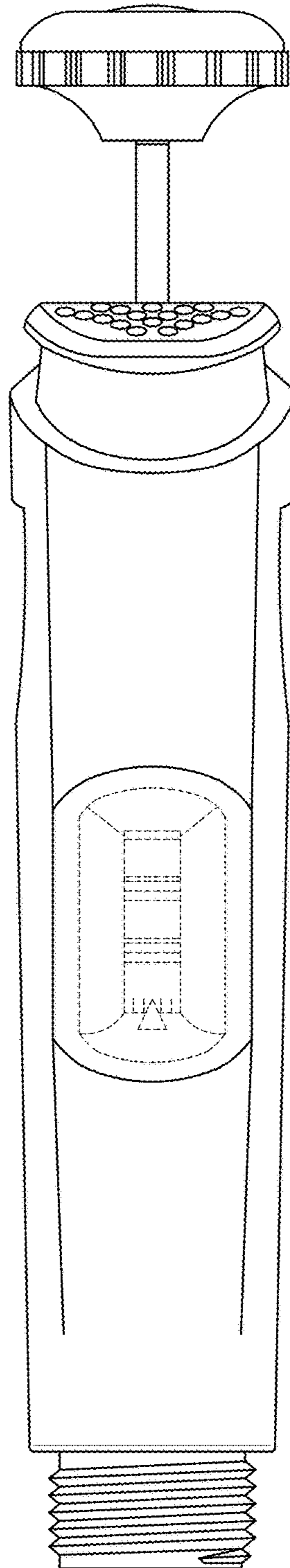
1.2



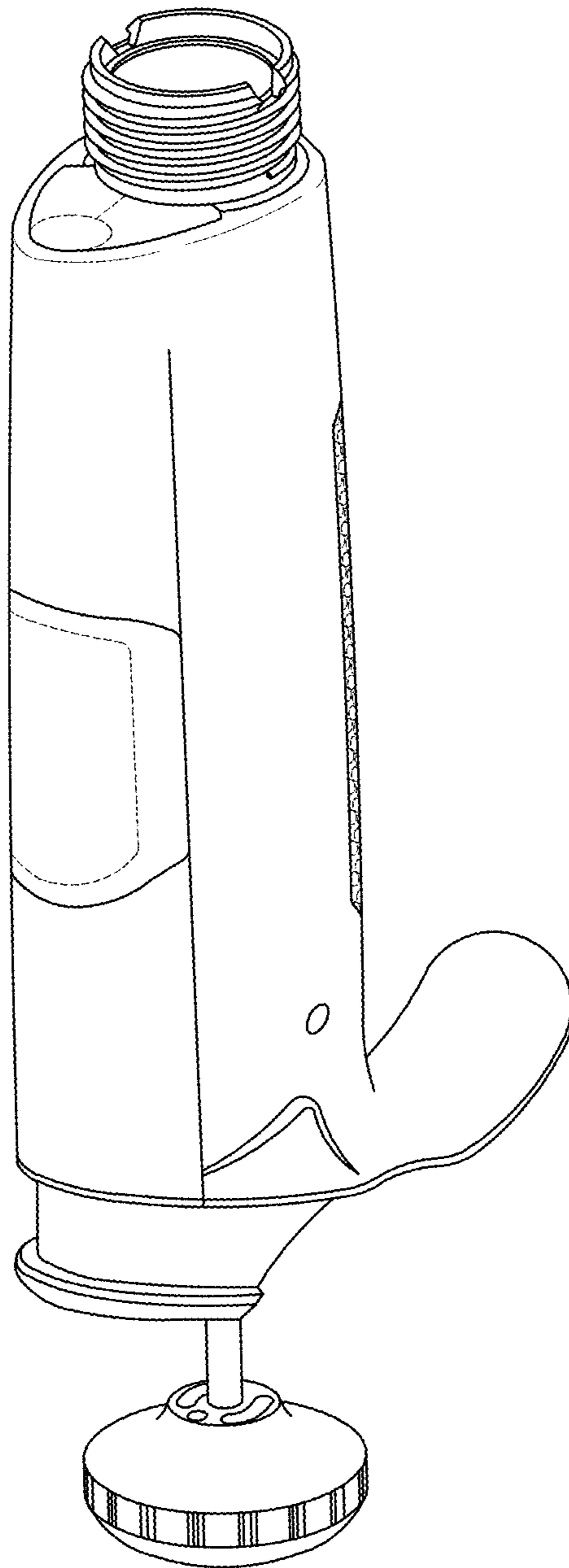
1.3



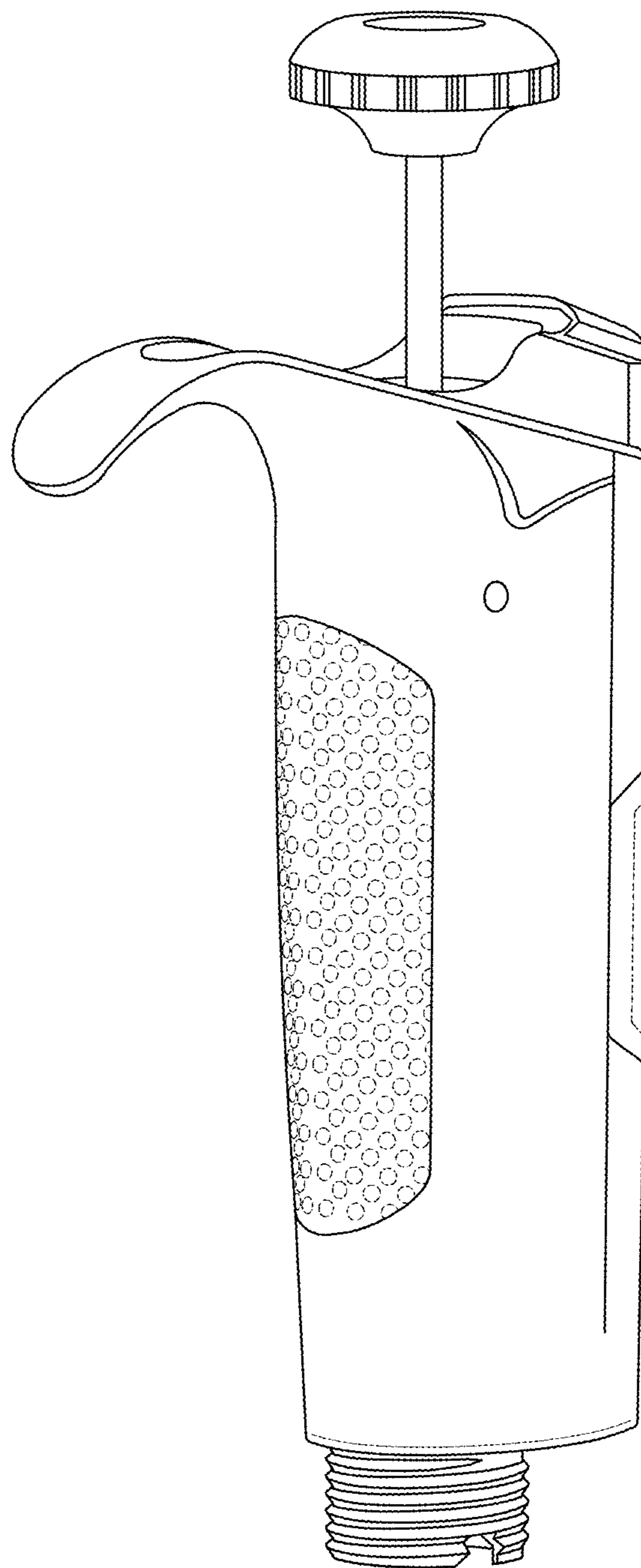
1.4



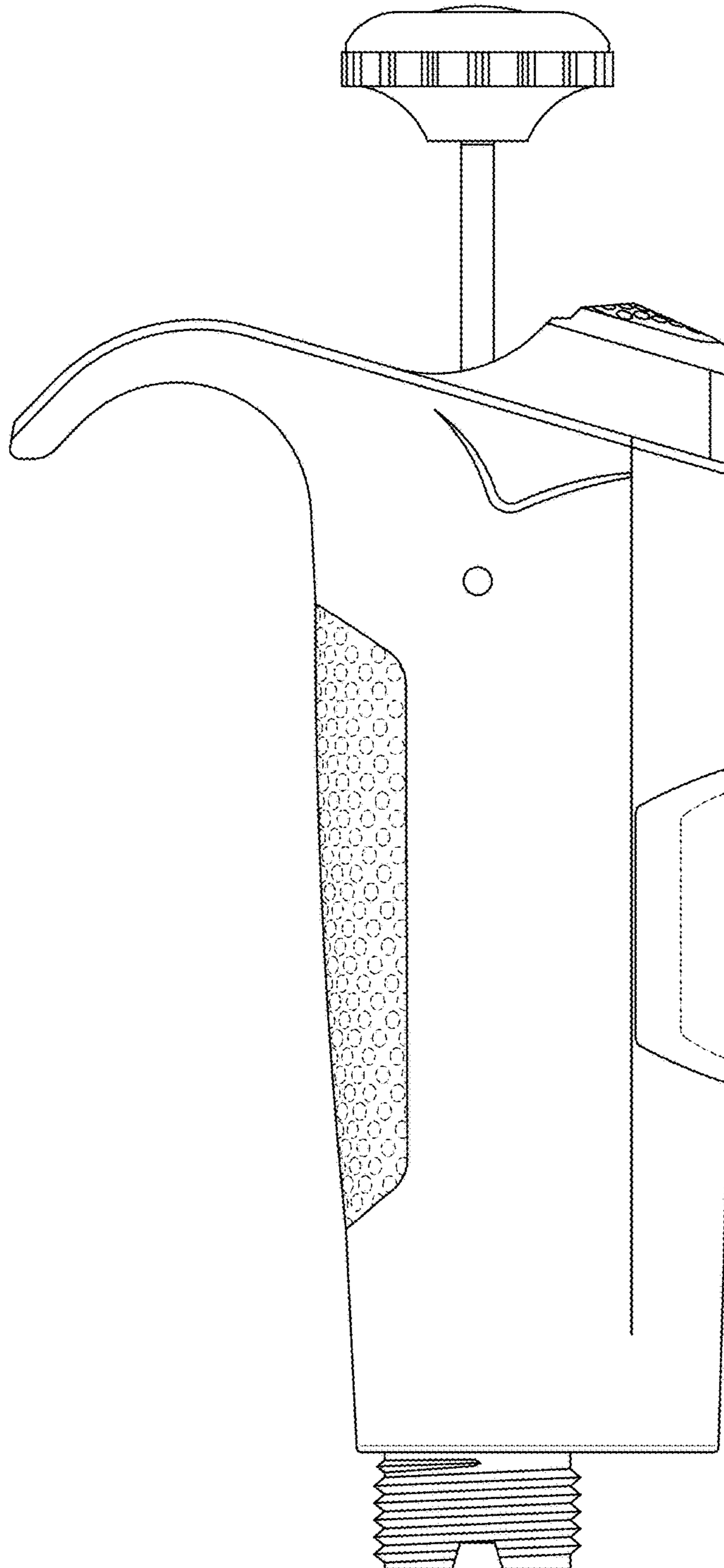
1.5



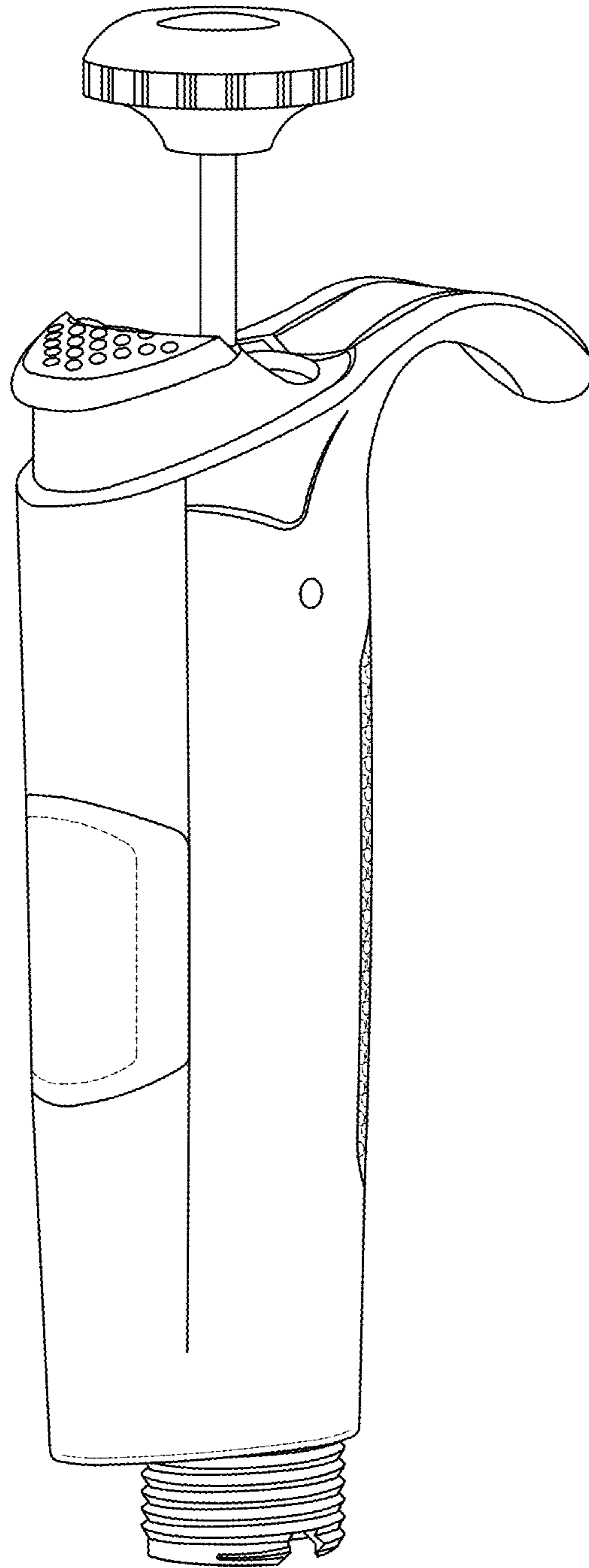
1.6



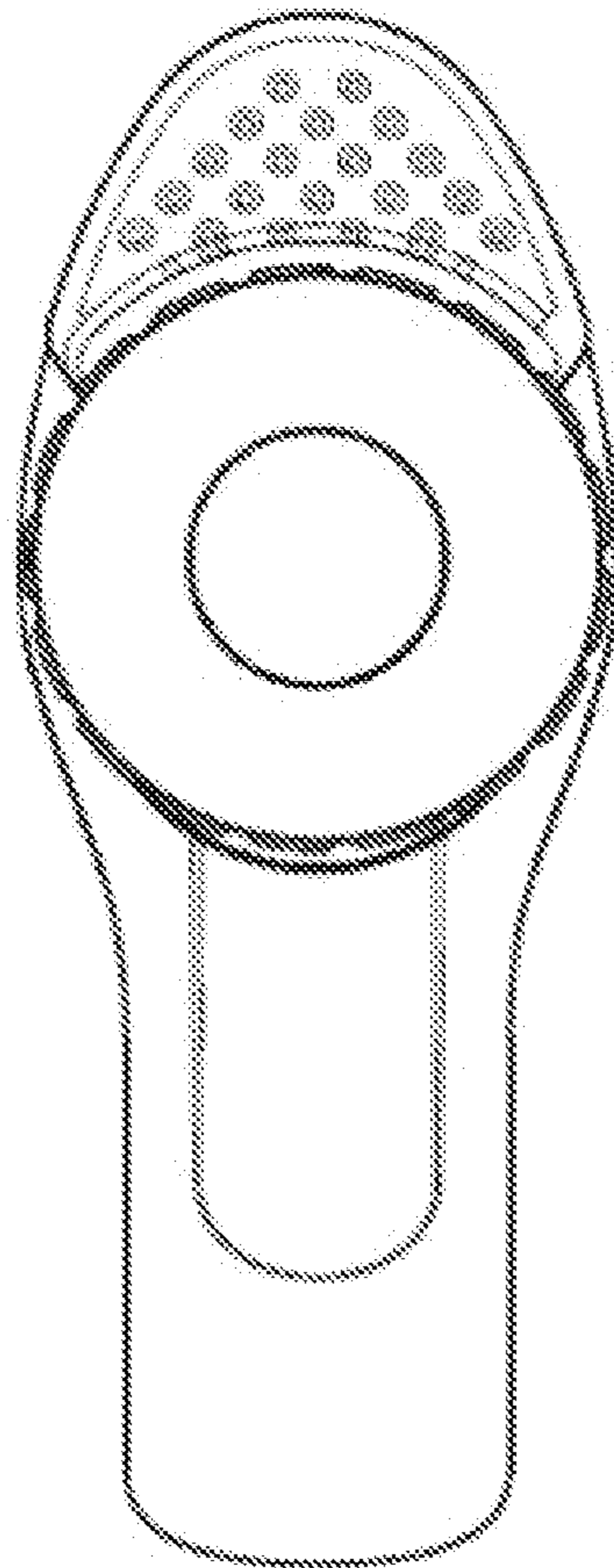
1.7



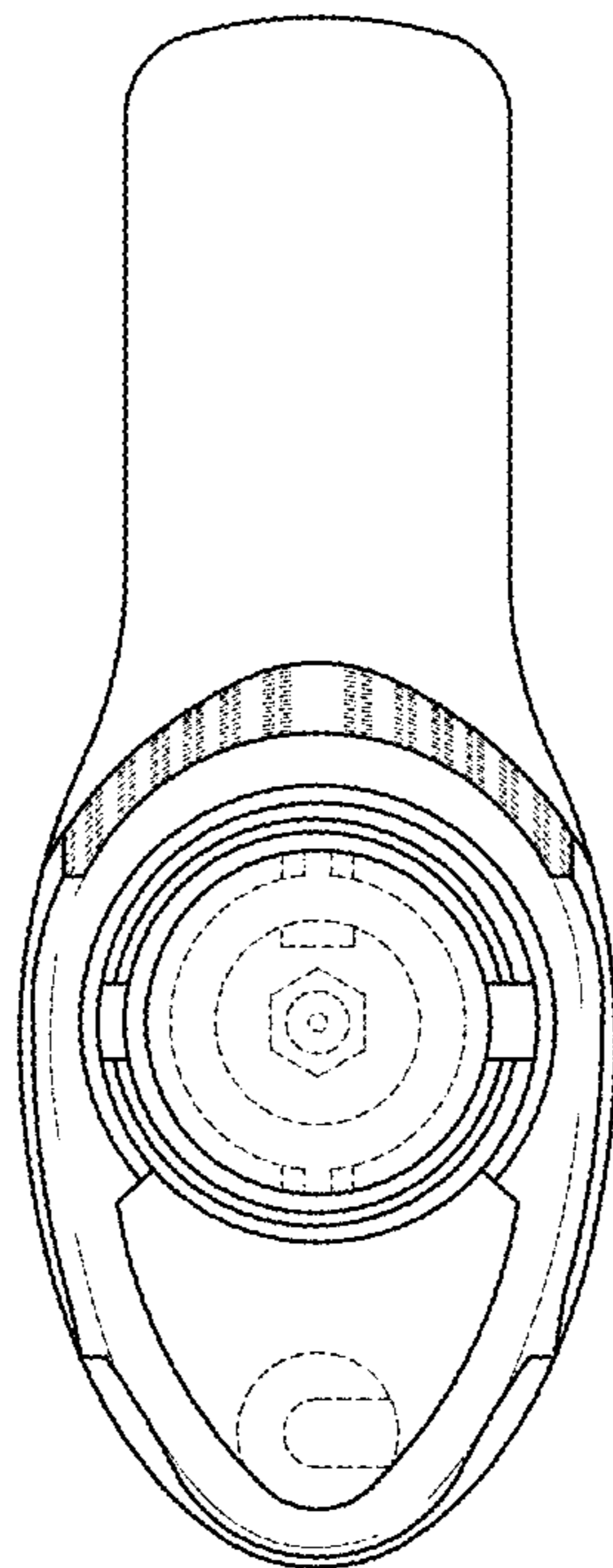
1.8



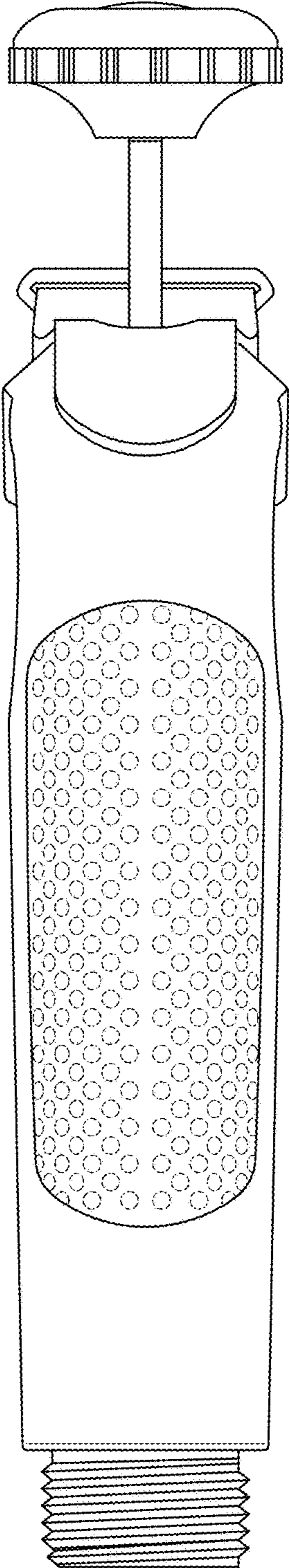
1.9



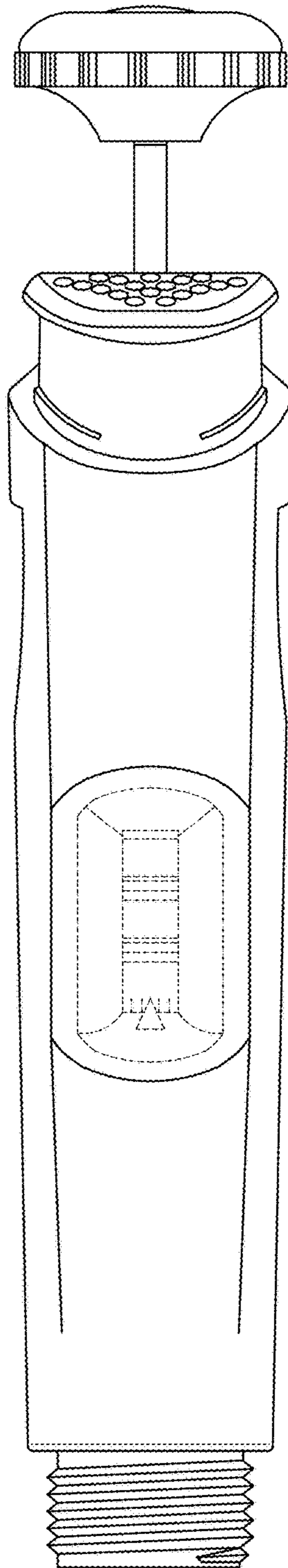
1.10



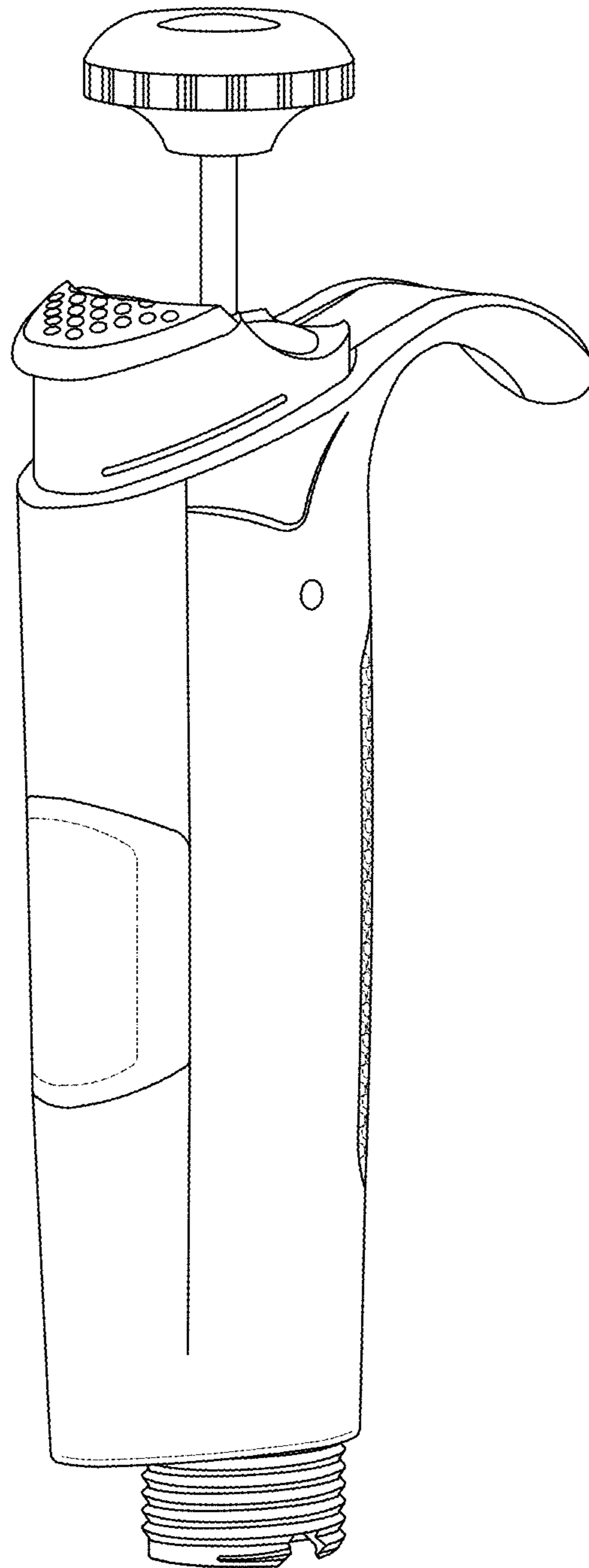
1.11



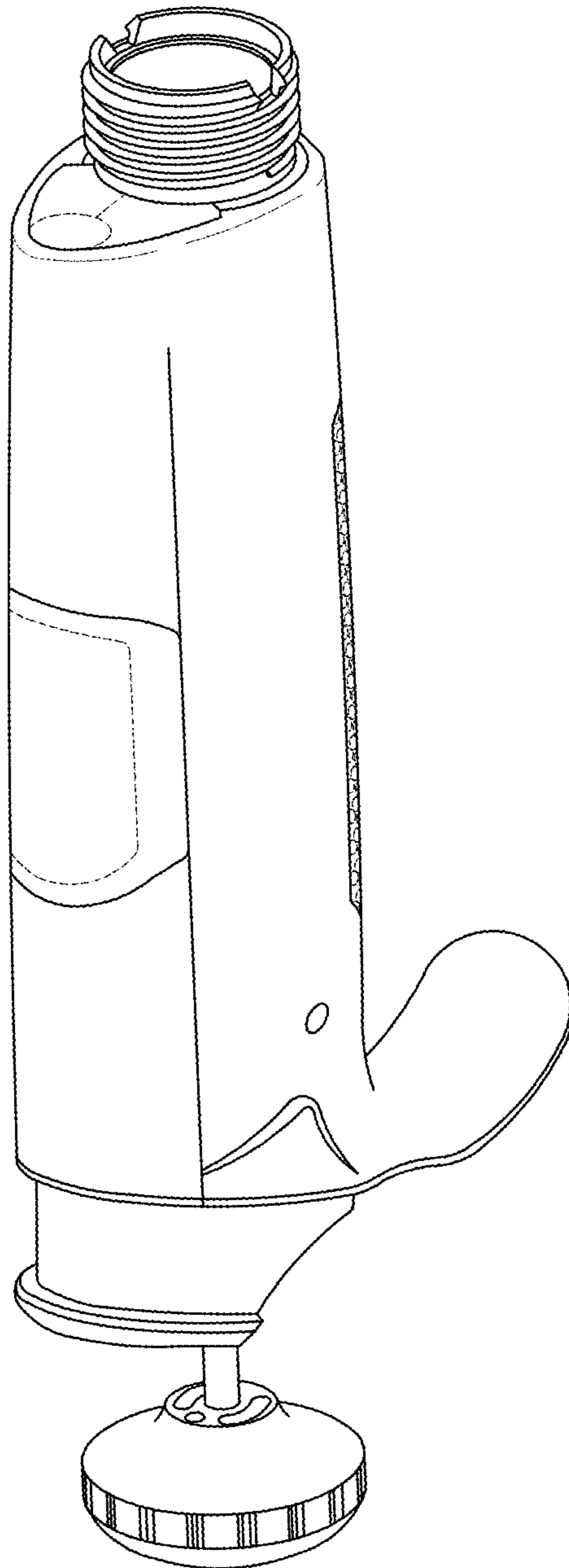
1.12



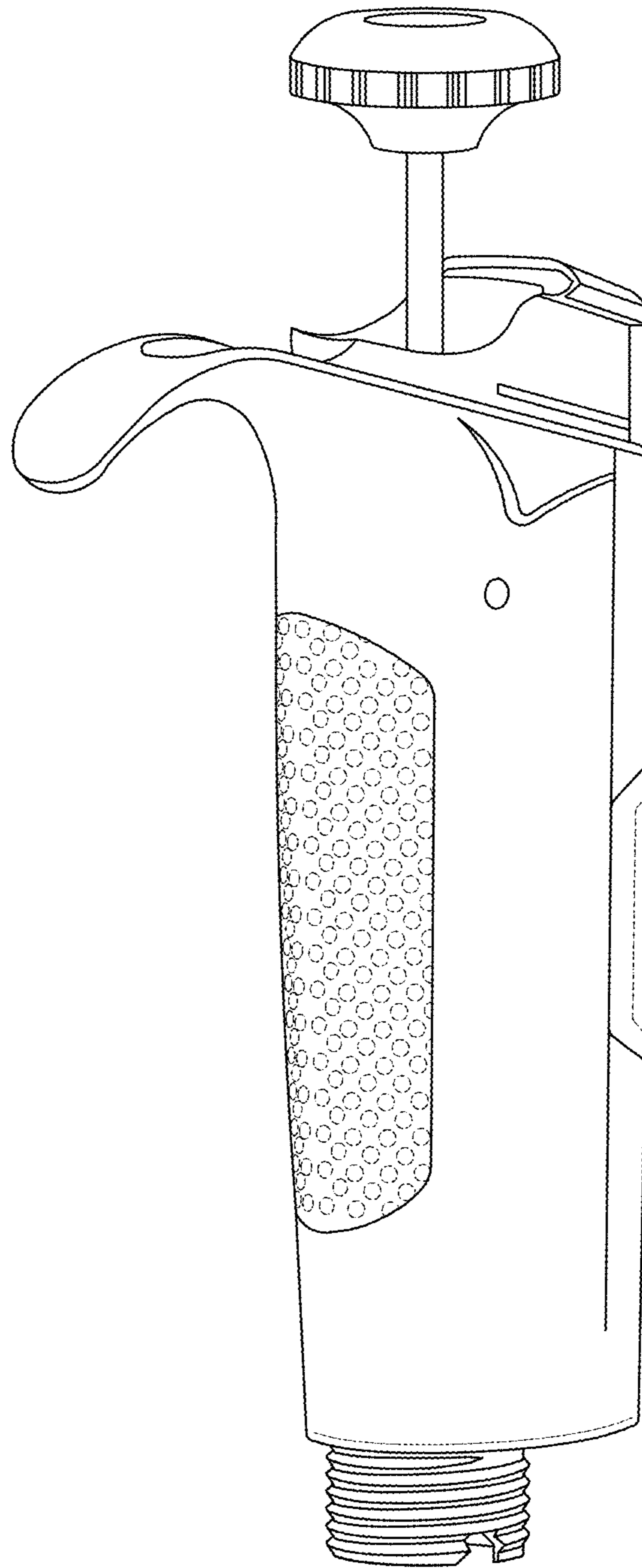
1.13



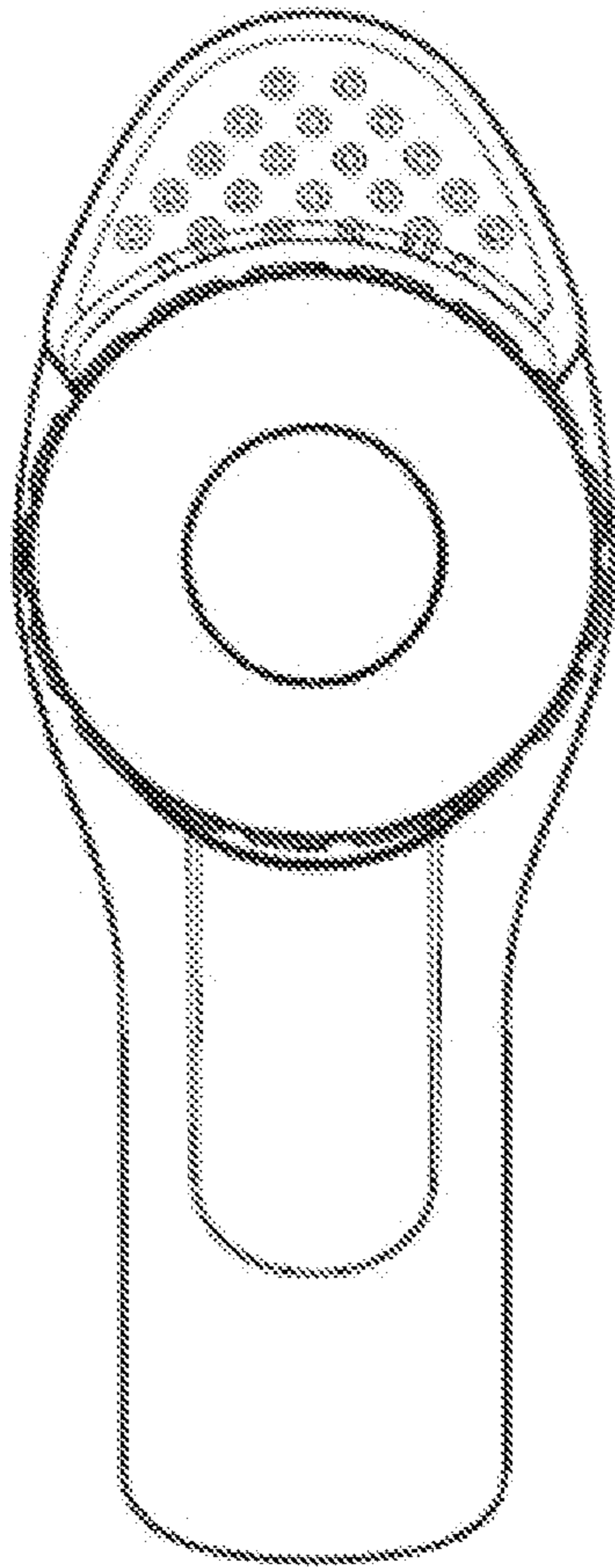
1.14



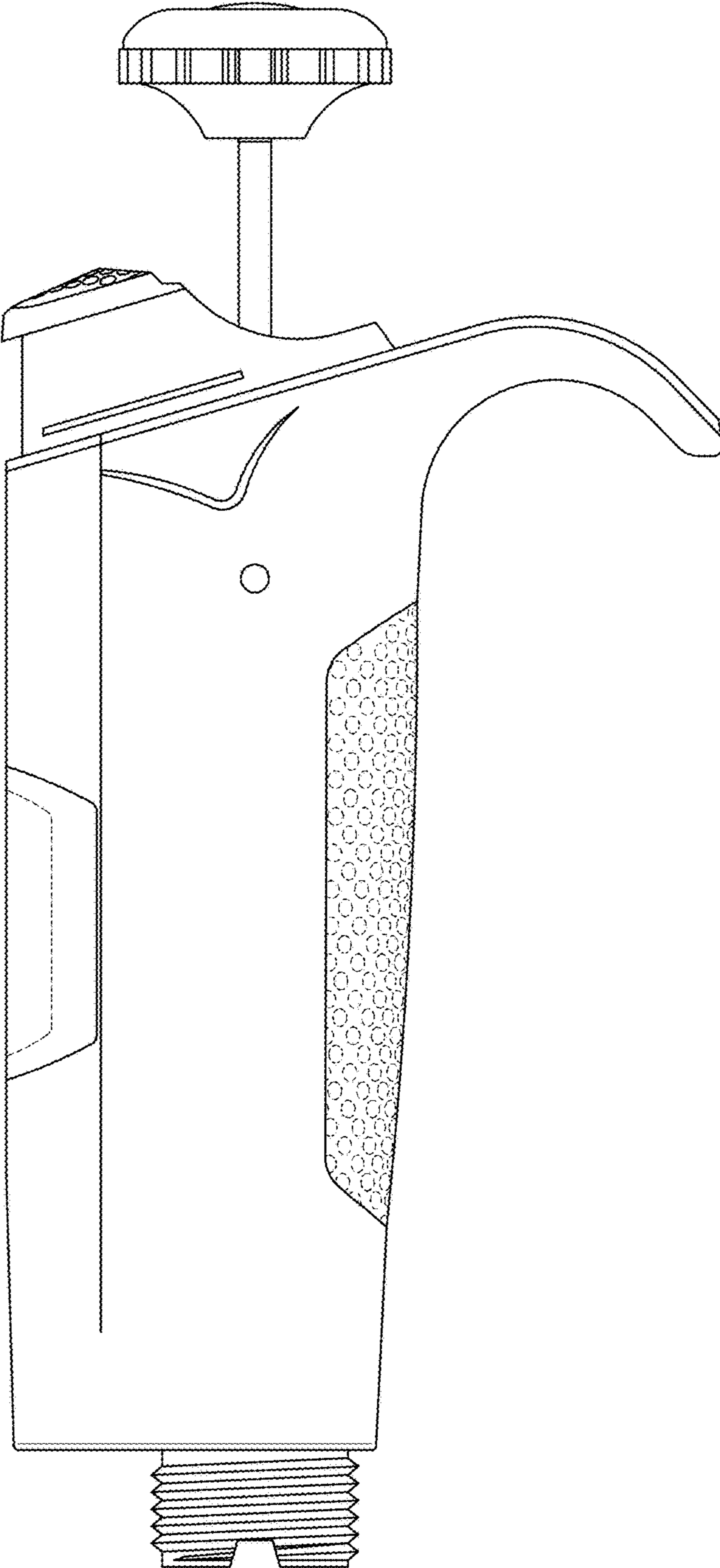
1.15



1.16



1.17



1.18

