



US00D809664S

(12) **United States Design Patent** (10) **Patent No.:** **US D809,664 S**
Ma et al. (45) **Date of Patent:** **** Feb. 6, 2018**

(54) **FINGERTIP OXIMETER**
 (71) Applicant: **Quanta Computer Inc.**, Taoyuan (TW)
 (72) Inventors: **Yi-Chun Ma**, Taoyuan (TW);
Chang-Ta Miao, Taoyuan (TW);
Gwo-Chyuan Chen, Taoyuan (TW)
 (73) Assignee: **QUANTA COMPUTER INC.**,
 Guishan District, Taoyuan (TW)

D668,340 S * 10/2012 Wang D24/165
 D718,455 S * 11/2014 Maser D24/169
 D719,668 S * 12/2014 Cien D24/216
 D737,452 S * 8/2015 Park D24/185
 D767,145 S * 9/2016 Liu D24/169
 D768,859 S * 10/2016 Rodriguez Leal D24/169
 2011/0054280 A1* 3/2011 Yin A61B 5/14552
 600/324
 2013/0096405 A1* 4/2013 Garfio A61B 5/14552
 600/340

* cited by examiner

(**) Term: **15 Years**

Primary Examiner — Anhdao Doan

(21) Appl. No.: **29/581,447**

(74) *Attorney, Agent, or Firm* — McClure, Qualey & Rodack, LLP

(22) Filed: **Oct. 19, 2016**

(30) **Foreign Application Priority Data**

Sep. 19, 2016 (TW) 105305496

(51) **LOC (11) Cl.** **24-02**

(52) **U.S. Cl.**
USPC **D24/169**; D24/167

(58) **Field of Classification Search**
USPC D24/107, 165–169, 186, 187; D10/81
CPC G01N 33/66; G01N 33/49; G01N 33/493;
A61B 5/14532; A61B 5/14552; A61B
5/6625; A61B 5/6626

See application file for complete search history.

(56) **References Cited**

U.S. PATENT DOCUMENTS

D455,834 S * 4/2002 Donars D24/169
D663,422 S * 7/2012 Missanelli D24/169

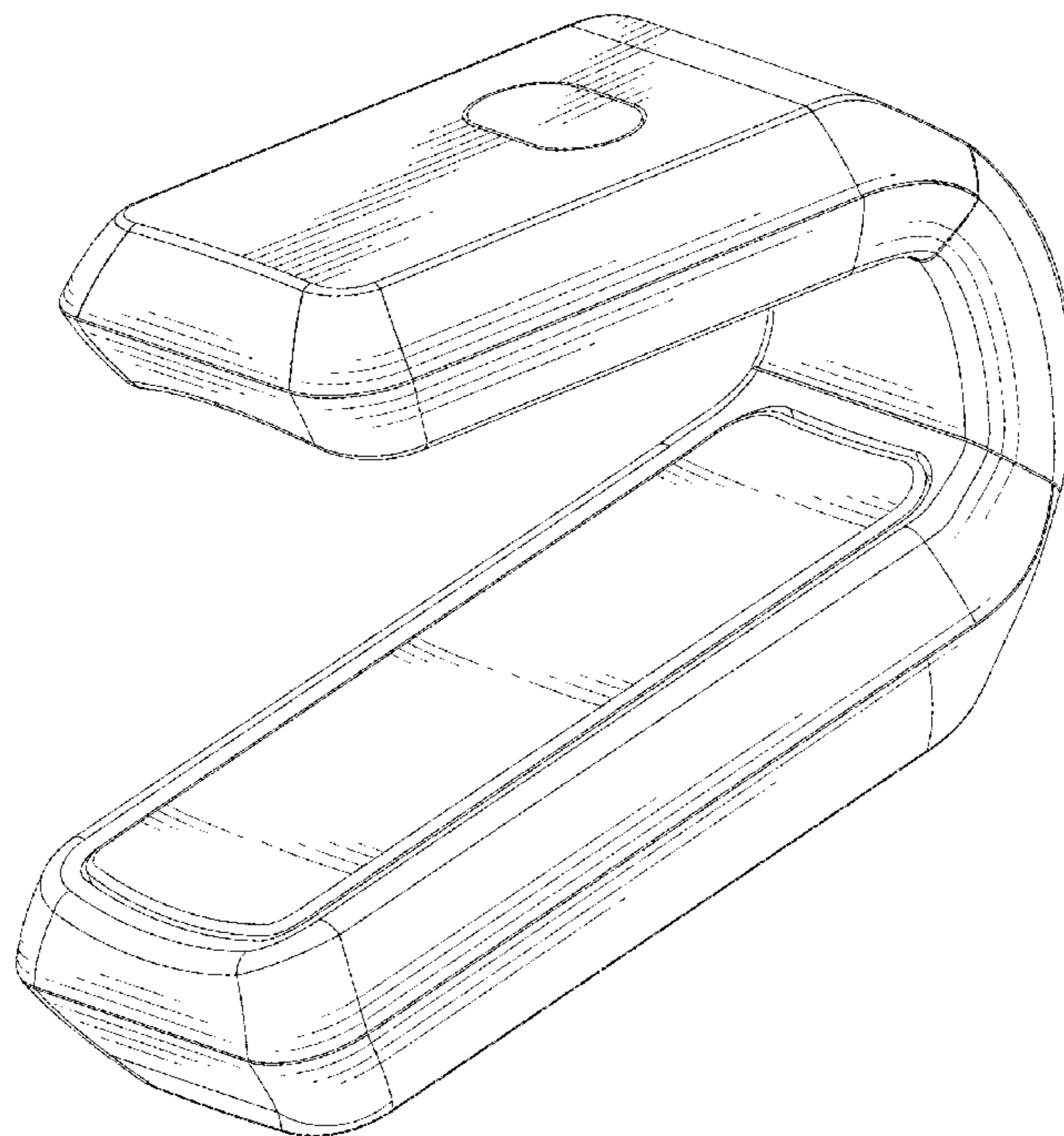
(57) **CLAIM**

The ornamental design for a fingertip oximeter, as shown and described.

DESCRIPTION

FIG. 1 is a front perspective view of fingertip oximeter in accordance with a new design;
 FIG. 2 is a top view thereof;
 FIG. 3 is a bottom view thereof;
 FIG. 4 is a rear view thereof;
 FIG. 5 is a front view thereof;
 FIG. 6 is a side view thereof; and,
 FIG. 7 is another side view thereof.

1 Claim, 7 Drawing Sheets



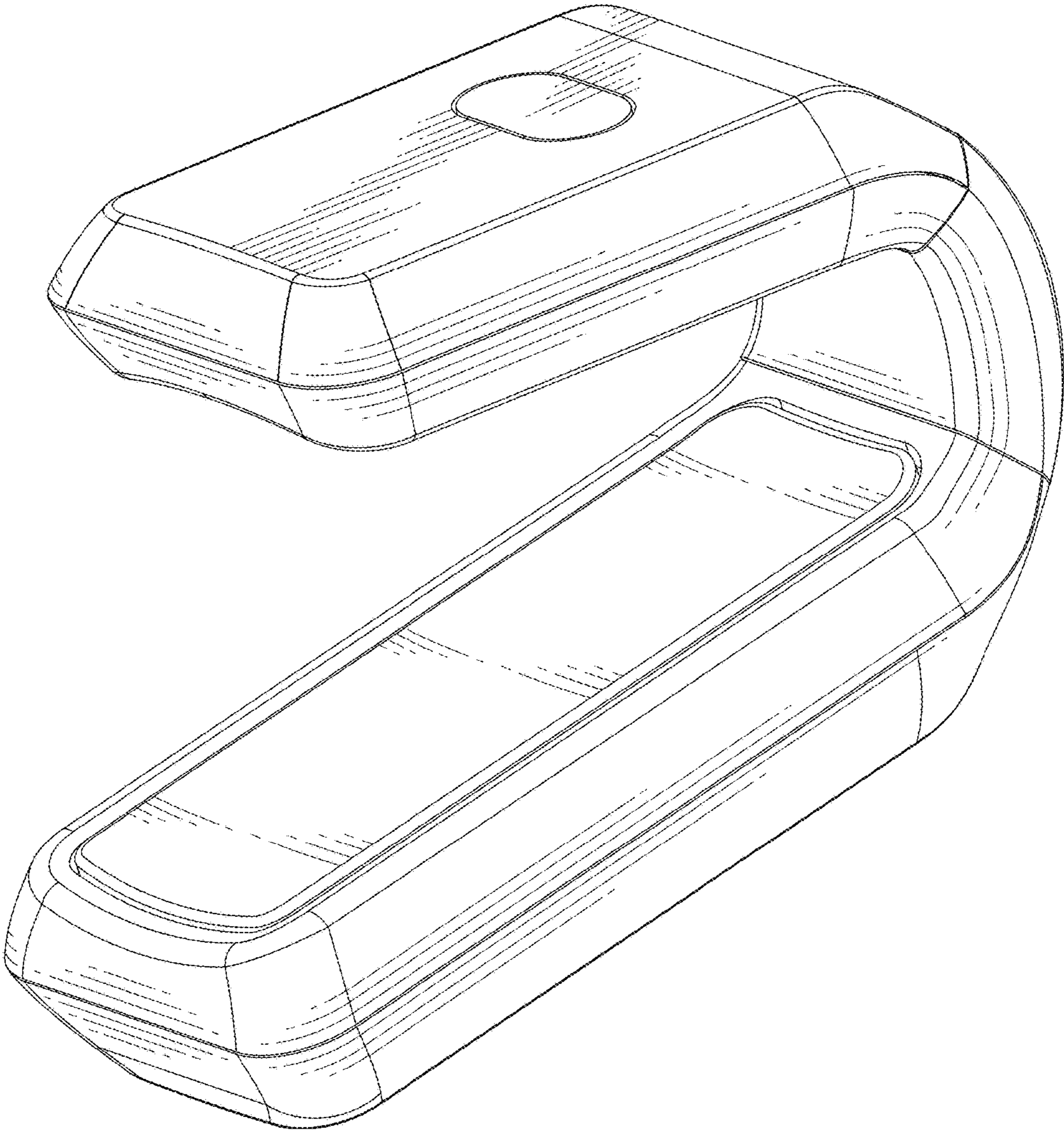


FIG. 1

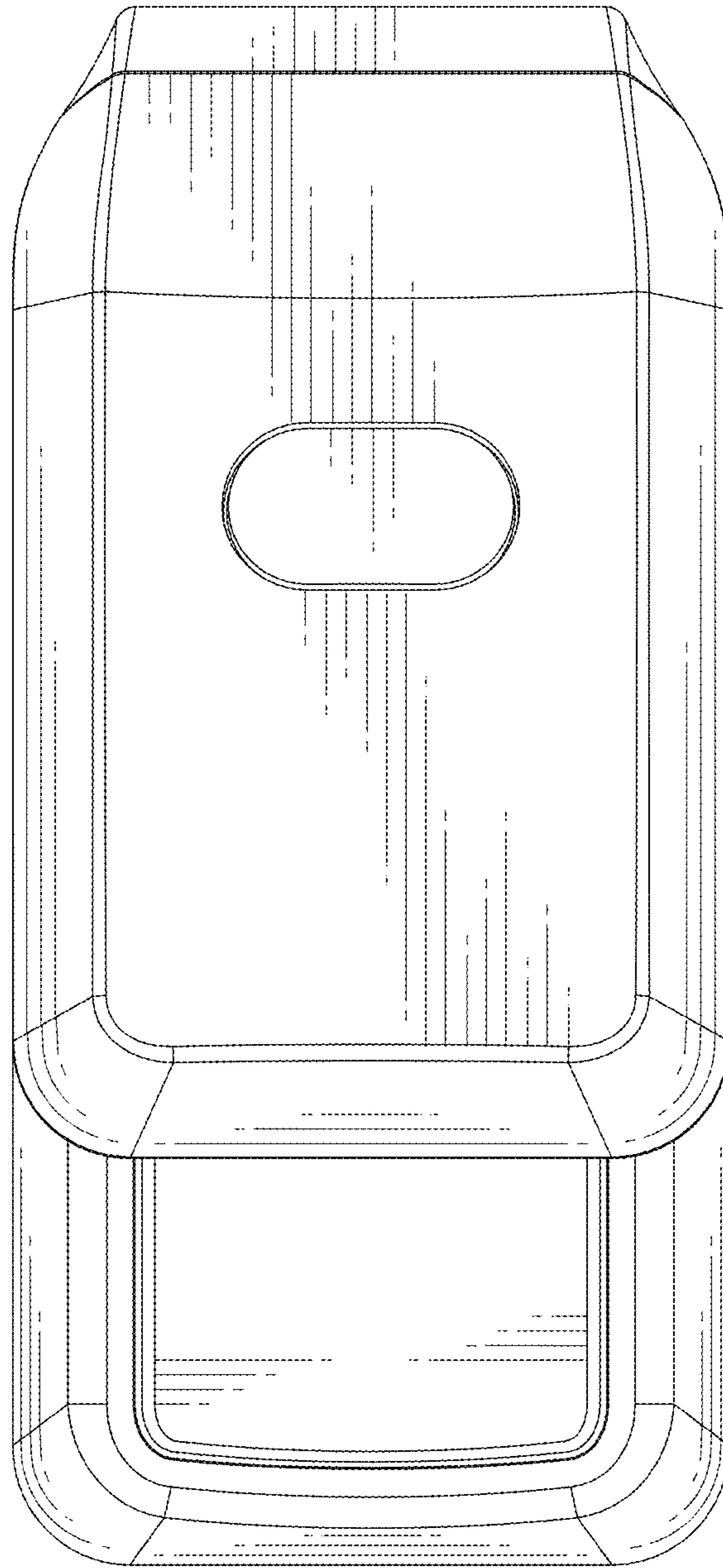


FIG. 2

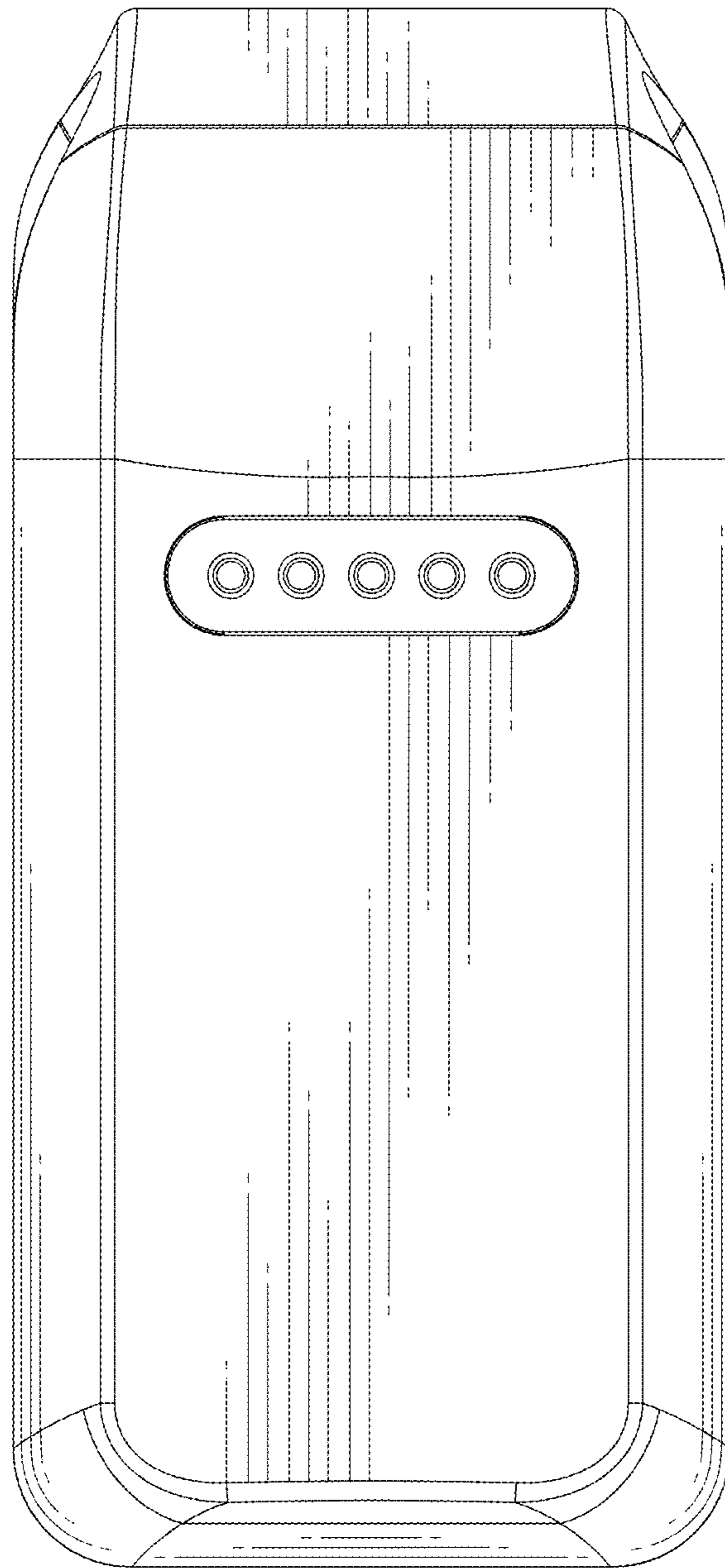


FIG. 3

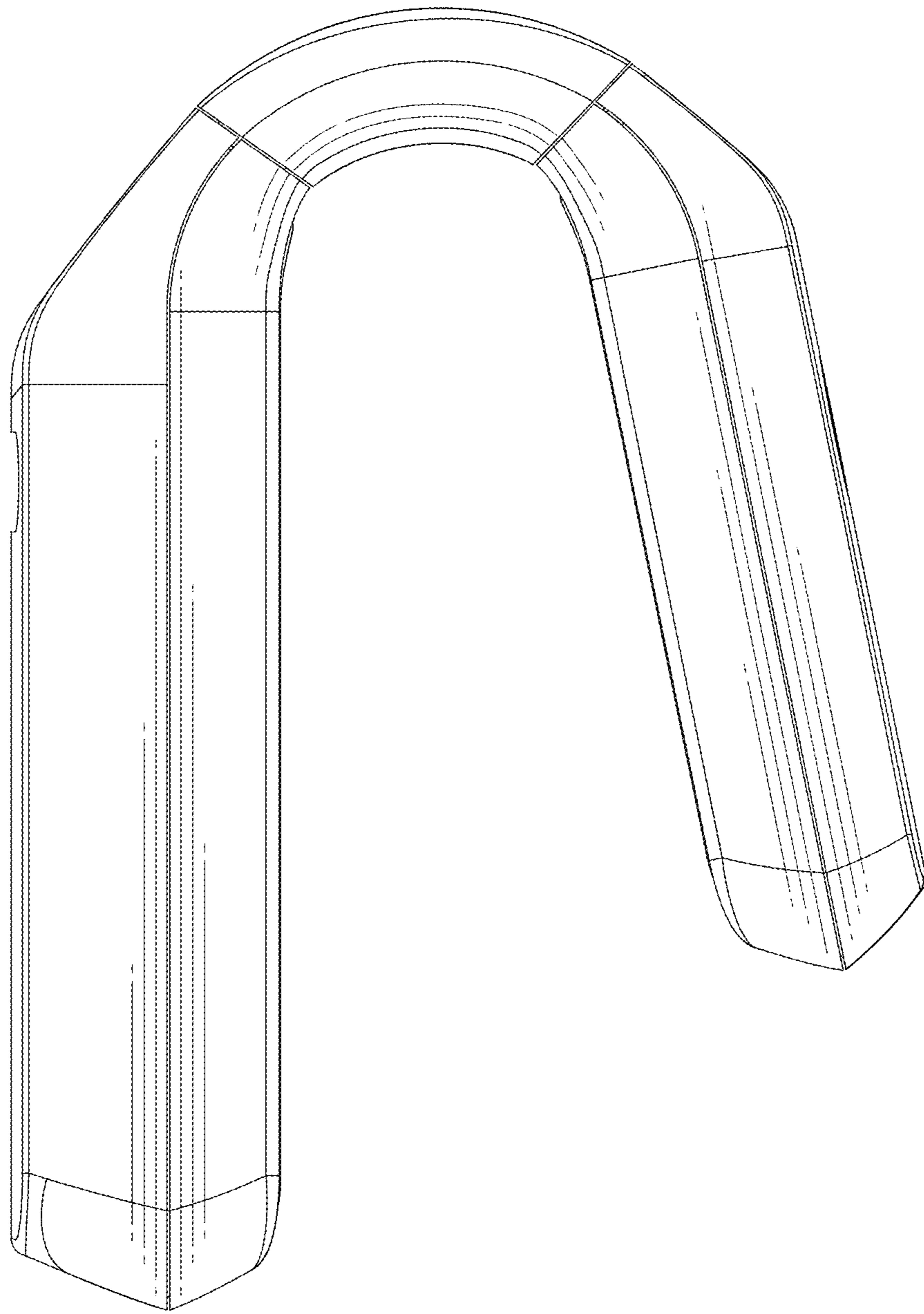


FIG. 4

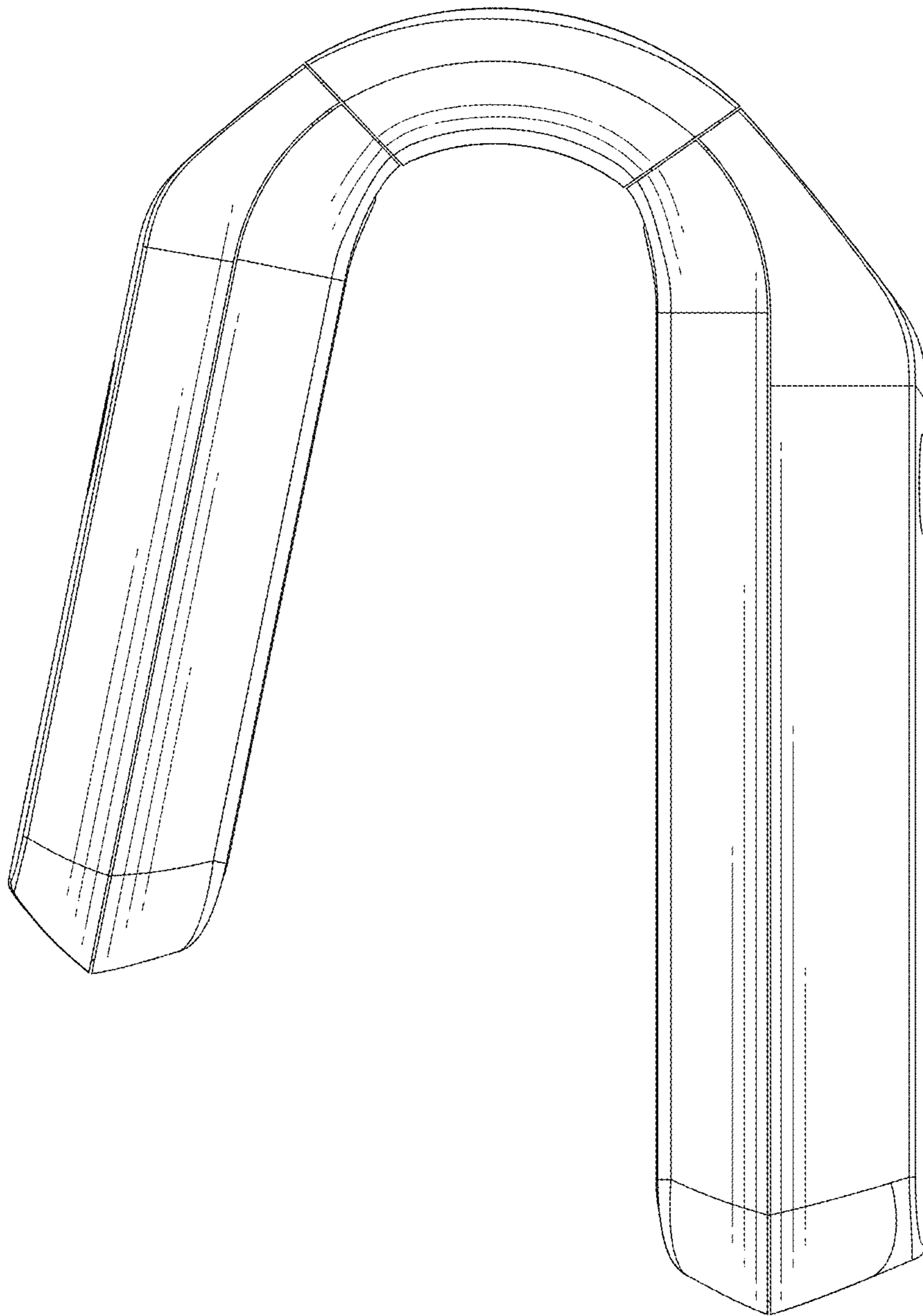


FIG. 5

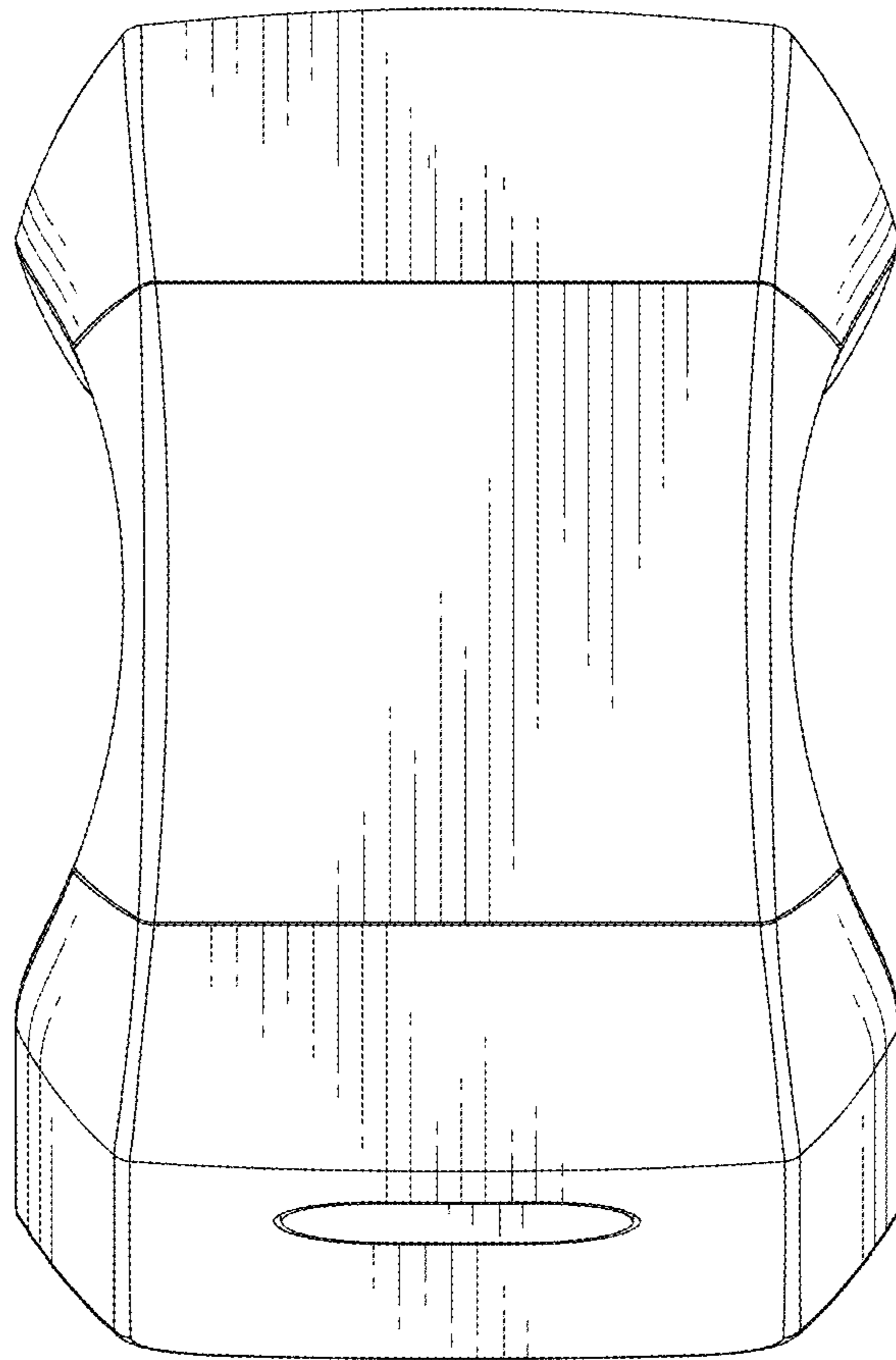


FIG. 6

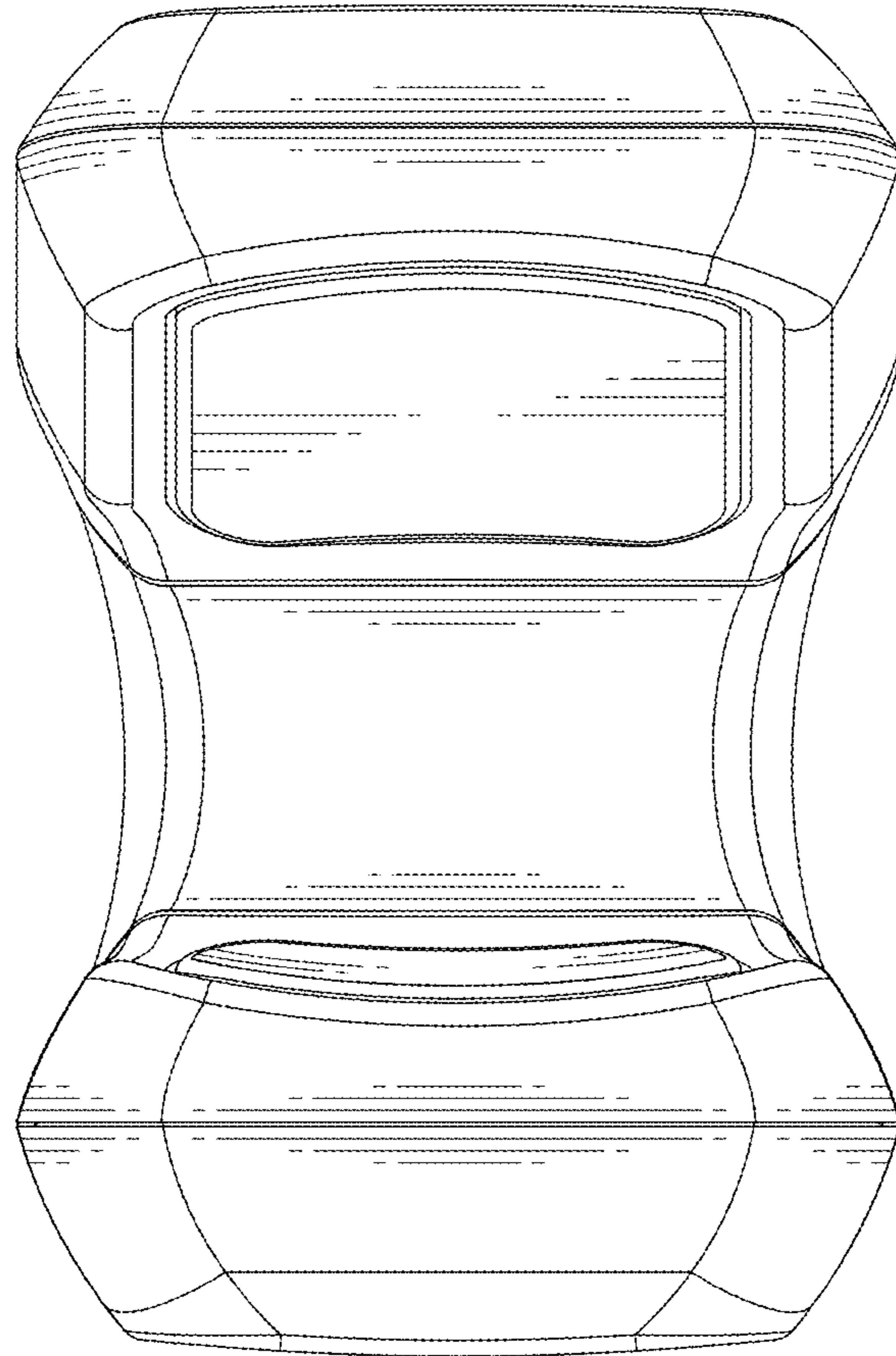


FIG. 7