



US00D809663S

(12) **United States Design Patent**
Nachum

(10) **Patent No.:** **US D809,663 S**
(45) **Date of Patent:** **** Feb. 6, 2018**

(54) **THERAPEUTIC ELECTRICAL STIMULATION DEVICE**
(71) Applicant: **Chen Nachum**, Raanana (IL)
(72) Inventor: **Chen Nachum**, Raanana (IL)
(**) Term: **15 Years**
(21) Appl. No.: **35/501,478**
(22) Filed: **Aug. 5, 2016**

(80) **Hague Agreement Data**
Int. Filing Date: **Aug. 5, 2016**
Int. Reg. No.: **DM/092167**
Int. Reg. Date: **Aug. 5, 2016**
Int. Reg. Pub. Date: **Sep. 2, 2016**
(51) **LOC (11) Cl.** **24-01**
(52) **U.S. Cl.**
USPC **D24/168**
(58) **Field of Classification Search**
USPC D24/186, 187, 200, 188-190, 168
CPC A61N 1/05; A61N 1/3752; A61N 1/0551;
A61N 1/0553; A61B 5/0006; A61B
5/0022; A61B 5/0402; A61B 5/1112;
A61B 2560/0412; A61B 5/6833
See application file for complete search history.

(56) **References Cited**
U.S. PATENT DOCUMENTS
D469,536 S * 1/2003 Latka D24/168
8,046,073 B1 * 10/2011 Pianca A61N 1/3752
607/37

D712,052 S * 8/2014 Thomas D24/200
D723,705 S * 3/2015 Mininger D24/200
D732,673 S * 6/2015 Lewis, Jr. D24/187
D752,764 S * 3/2016 Peters D24/187
D757,952 S * 5/2016 Wiebenga D24/200
D761,436 S * 7/2016 Fogarty D24/187
D784,543 S * 4/2017 Darmanjian D24/187
D785,187 S * 4/2017 Darmanjian A61B 5/4362
D24/187
D794,805 S * 8/2017 Kranz D24/186
2017/0087364 A1 * 3/2017 Cartledge A61N 1/36014

* cited by examiner

Primary Examiner — George D Kirschbaum
Assistant Examiner — Jennifer Watkins

(57) **CLAIM**

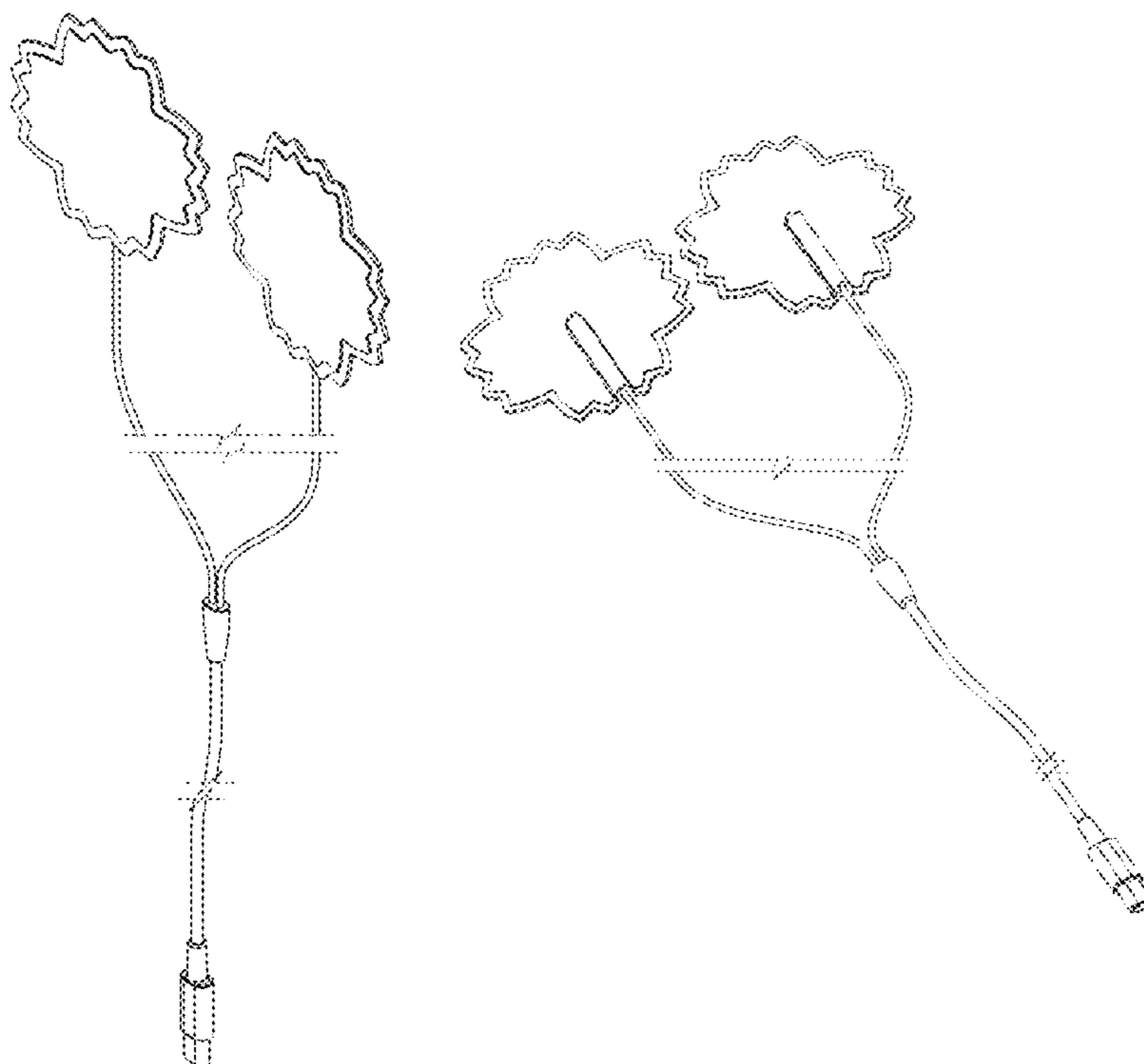
The ornamental design for a therapeutic electrical stimulation device, as shown and described.

DESCRIPTION

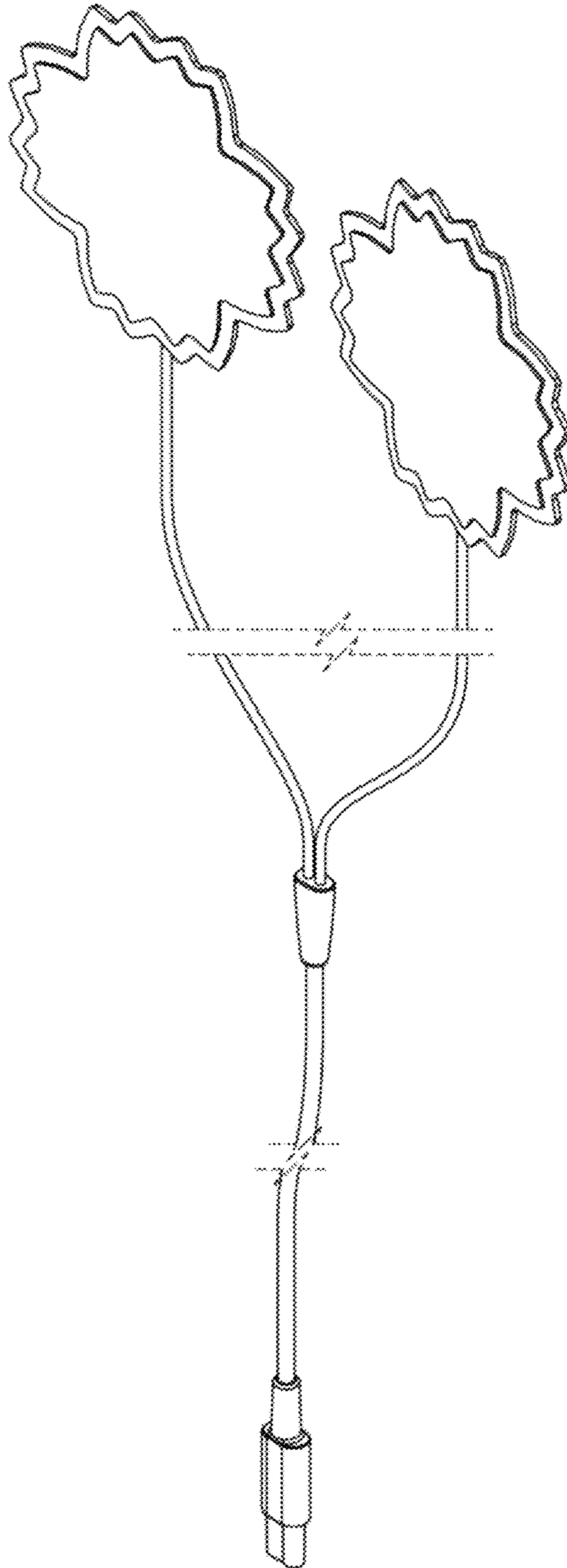
- 2.1 : Perspective
- 2.2 : Front
- 2.3 : Right
- 2.4 : Back
- 2.5 : Perspective
- 2.6 : Left

The therapeutic electrical stimulation device is shown with a symbolic break in its length. The appearance of any portion of the article between the break lines forms no part of the claim.

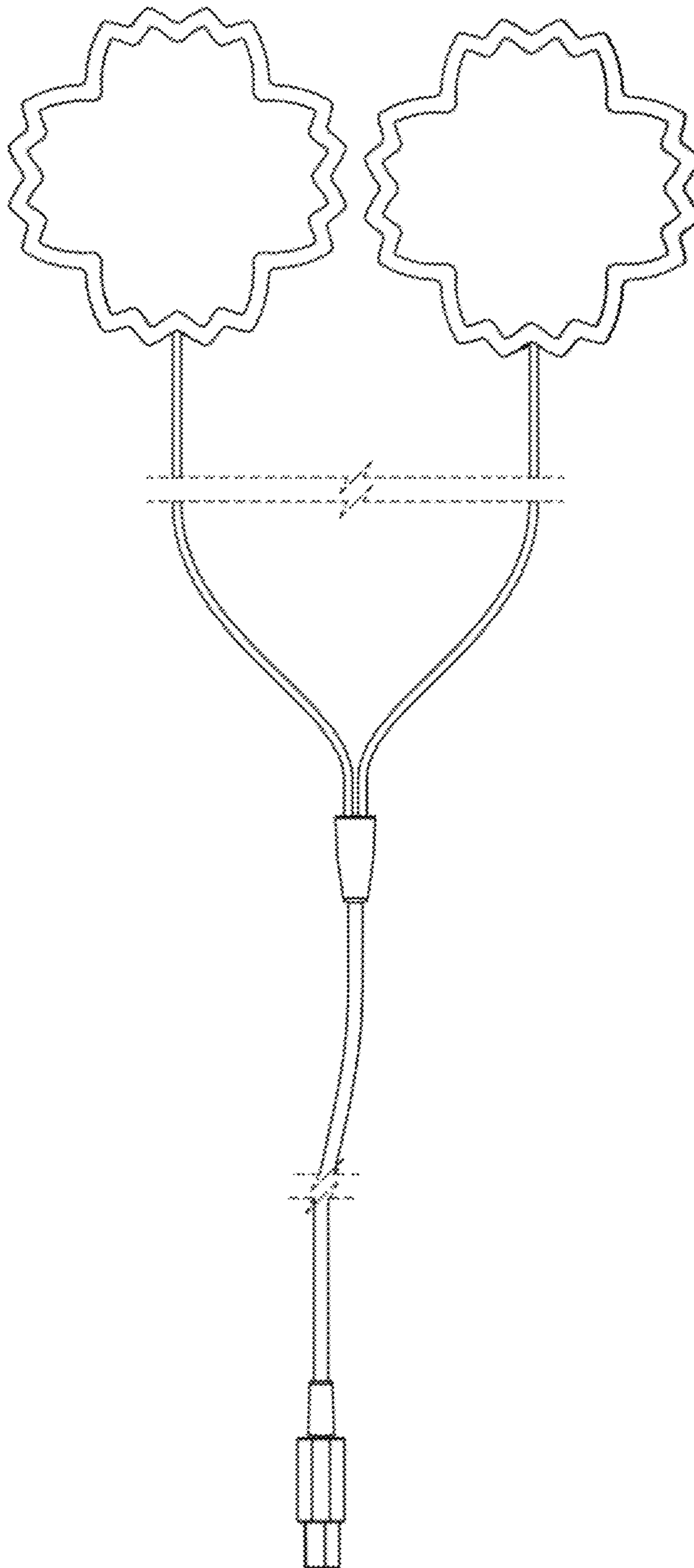
1 Claim, 6 Drawing Sheets



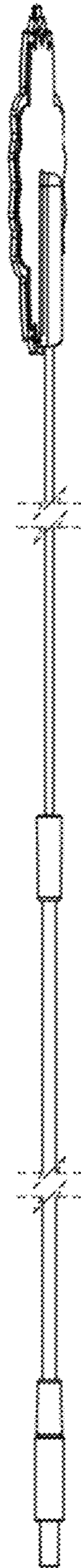
2.1



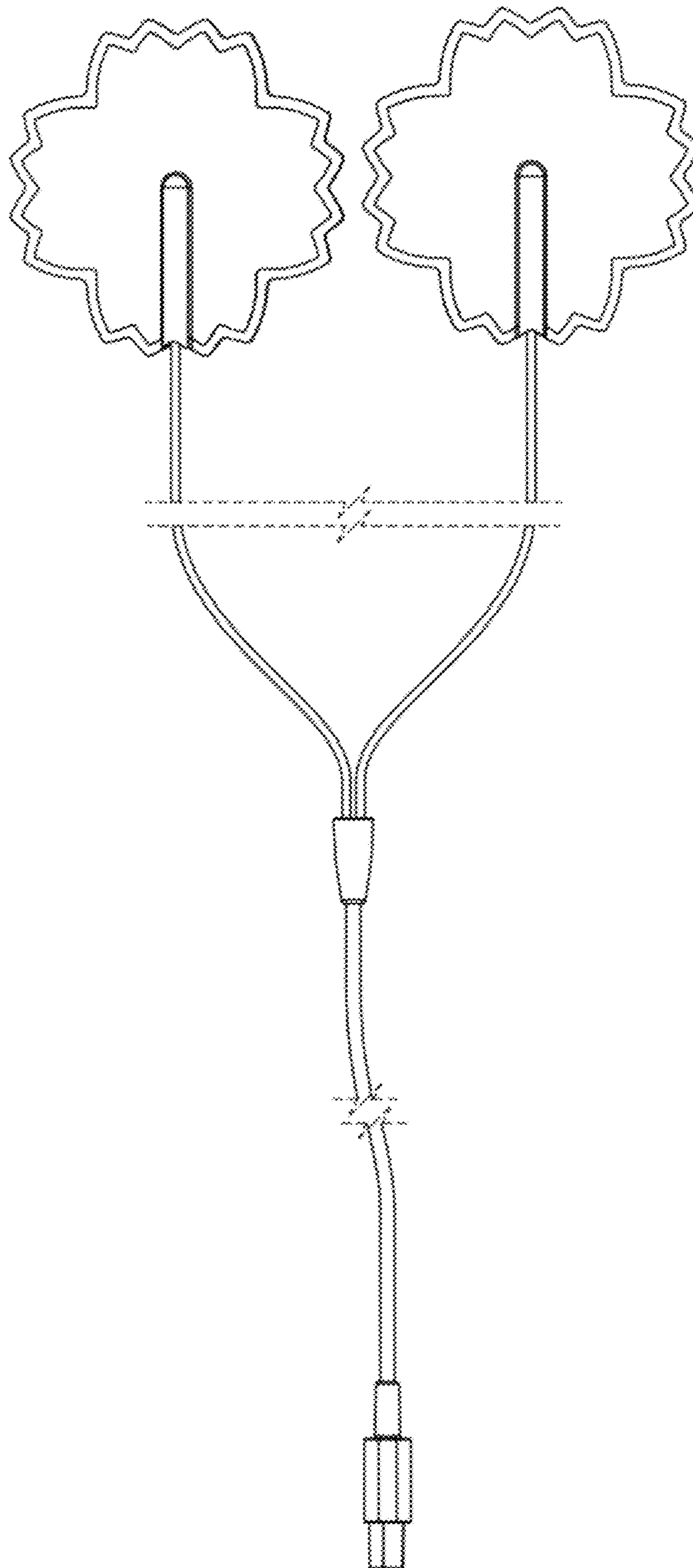
2.2



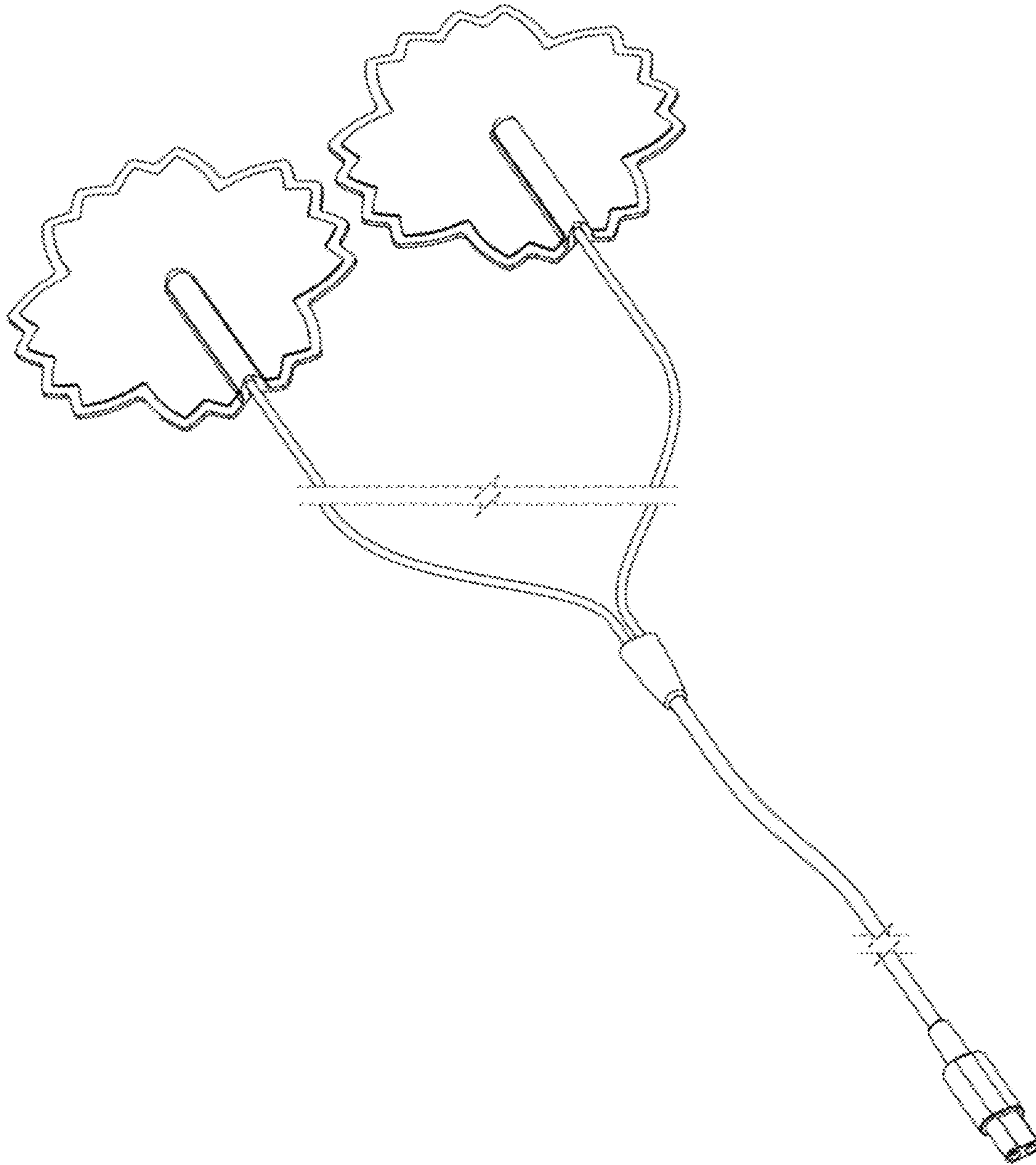
2.3



2.4



2.5



2.6

