



US00D809662S

(12) **United States Design Patent** (10) **Patent No.:** **US D809,662 S**
Shi (45) **Date of Patent:** **** Feb. 6, 2018**

(54) **VOICE SPHYGMOMANOMETER**
(71) Applicant: **Guangdong Transtek Medical Electronics Co., Ltd, Zhongshan (CN)**
(72) Inventor: **Minghua Shi, Zhongshan (CN)**
(73) Assignee: **GUANGDONG TRANSTEK MEDICAL ELECTRONICS CO., LTD., Zhongshan (CN)**

D663,033 S * 7/2012 Wang D24/165
D717,440 S * 11/2014 Shibata D24/165
D720,073 S * 12/2014 Shibata D24/165
D770,051 S * 10/2016 Egli D24/186

* cited by examiner

Primary Examiner — Anhdao Doan
(74) *Attorney, Agent, or Firm* — Honigman Miller Schwartz and Cohn LLP; Matthew H. Szalach; Jonathan P. O'Brien

(**) Term: **15 Years**
(21) Appl. No.: **29/545,980**
(22) Filed: **Nov. 18, 2015**

(57) **CLAIM**

The ornamental design for a voice sphygmomanometer, as shown and described.

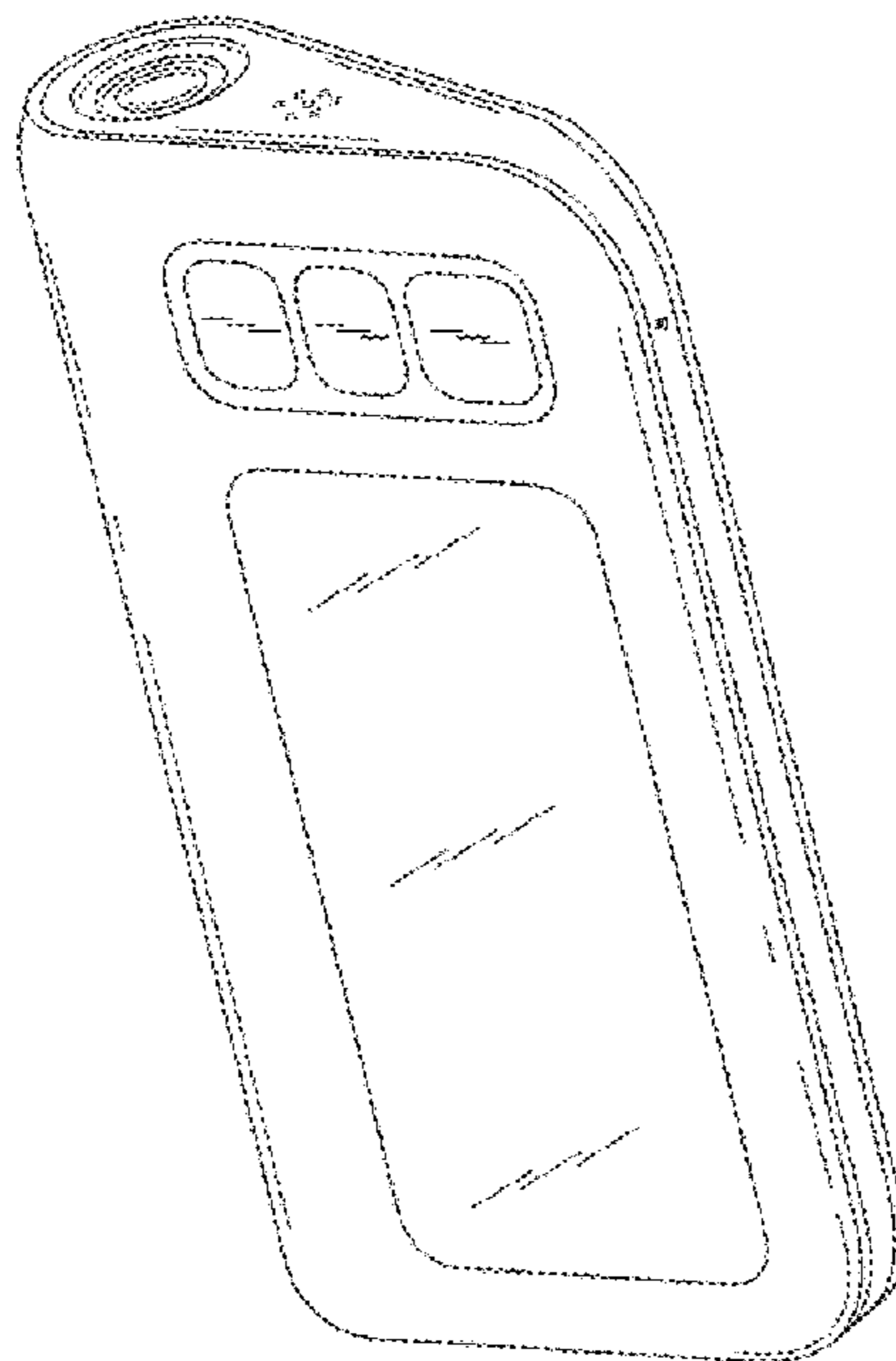
(30) **Foreign Application Priority Data**
Sep. 14, 2015 (CN) 2015 3 0352884
(51) **LOC (11) Cl.** **24-02**
(52) **U.S. Cl.**
USPC **D24/165**
(58) **Field of Classification Search**
USPC D24/164–168, 186, 107; D10/75, 70, 78
CPC A61B 5/0402; A61B 5/0404; A61B 5/021;
A61B 5/024; A61B 5/02438; A61B
5/681; A61B 2560/0205; A61B
2560/0462
See application file for complete search history.

DESCRIPTION

FIG. 1 is a front view of a voice sphygmomanometer according to the present application; FIG. 2 is a rear view of the voice sphygmomanometer according to the present application; FIG. 3 is a left view of the voice sphygmomanometer according to the present application; FIG. 4 is a right view of the voice sphygmomanometer according to the present application; FIG. 5 is a top view of the voice sphygmomanometer according to the present application; FIG. 6 is a bottom view of the voice sphygmomanometer according to the present application; and, FIG. 7 is a perspective view of the voice sphygmomanometer according to the present application. In the drawings, the broken lines illustrate portions of the voice sphygmomanometer that form no part of the claimed design.

(56) **References Cited**
U.S. PATENT DOCUMENTS
D548,839 S * 8/2007 Kobayakawa D24/165
D571,013 S * 6/2008 Kitamura D24/165
D583,060 S * 12/2008 Kitamura D24/165
D583,950 S * 12/2008 Itonaga D24/165

1 Claim, 7 Drawing Sheets



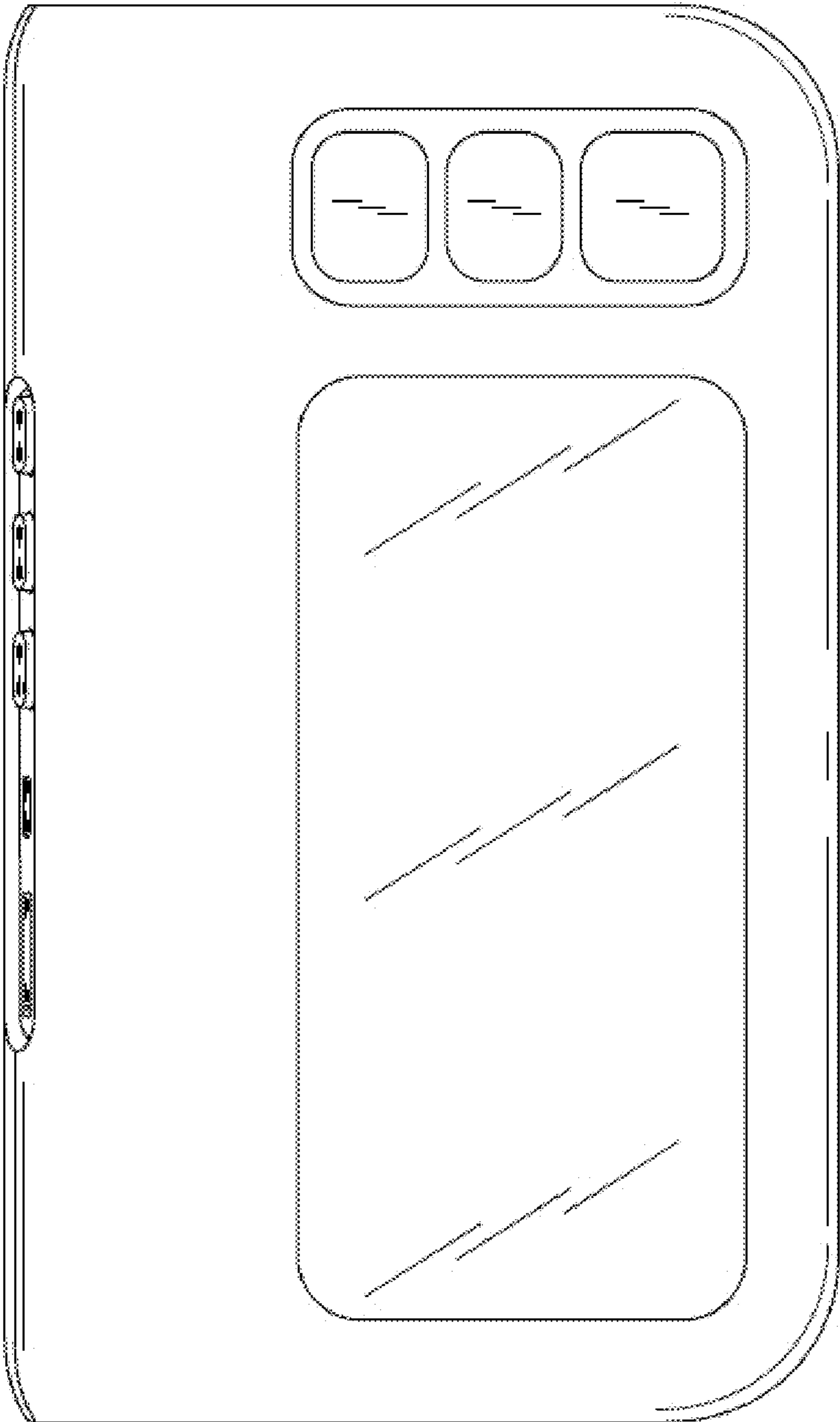


Figure 1

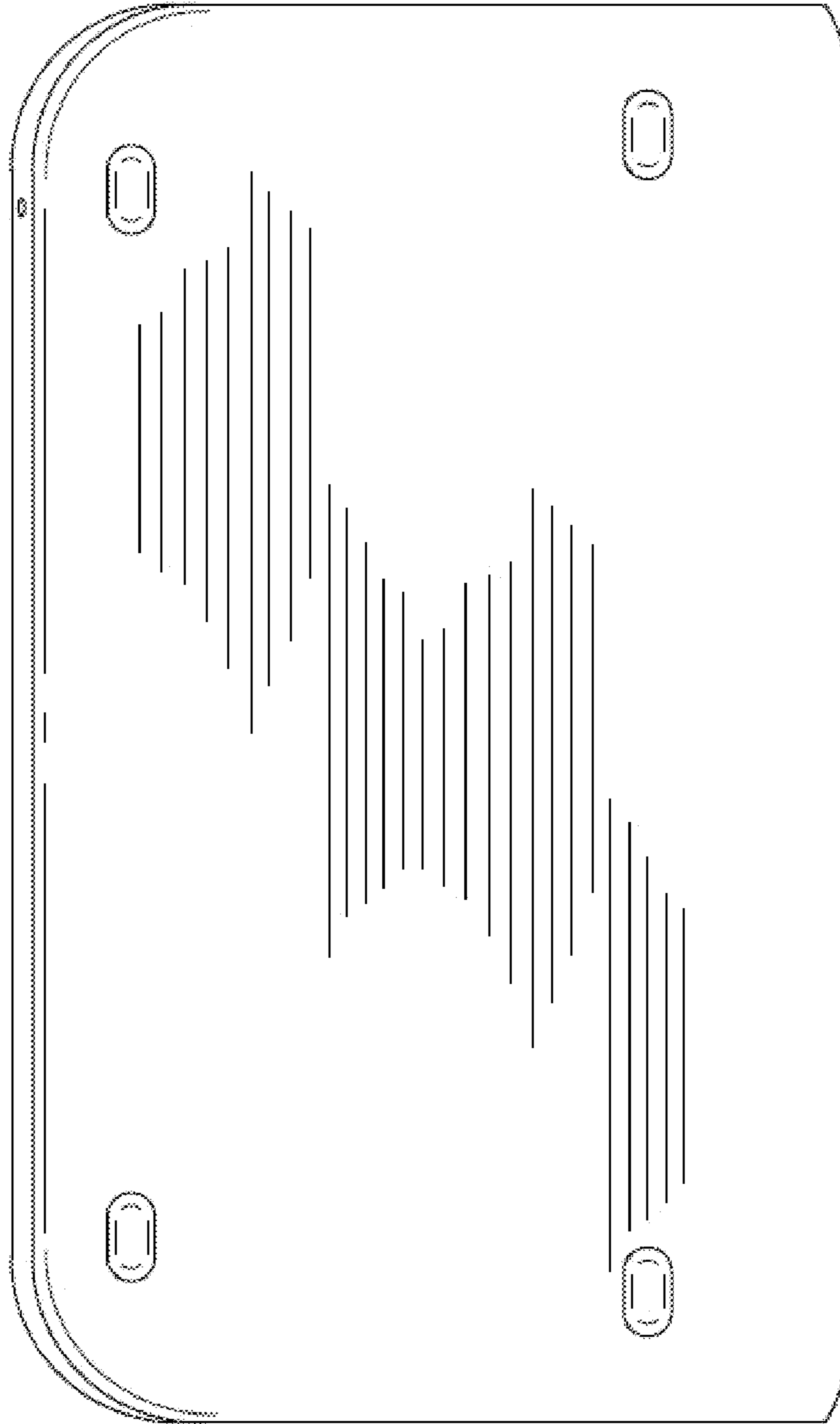


Figure 2

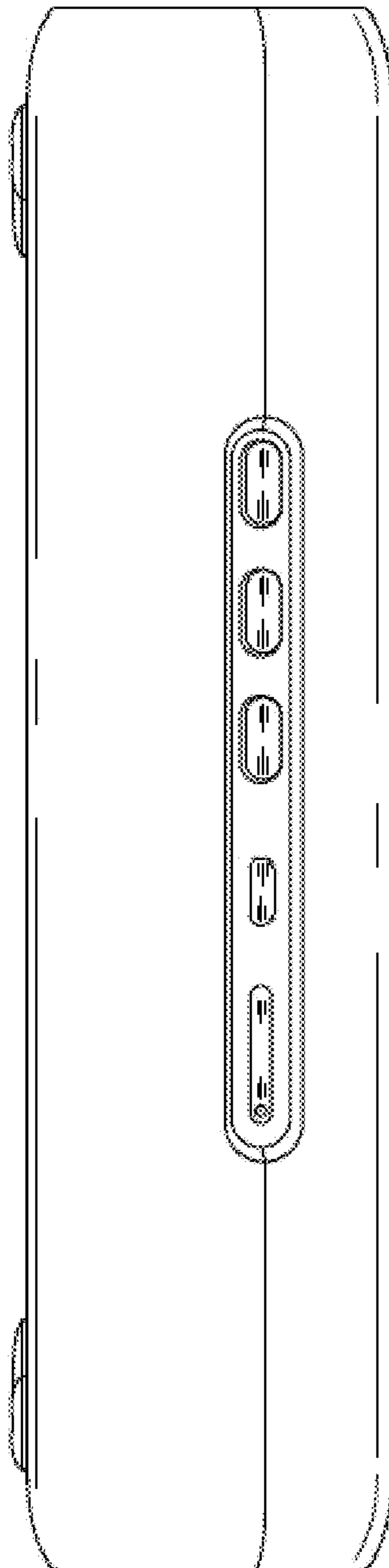


Figure 3

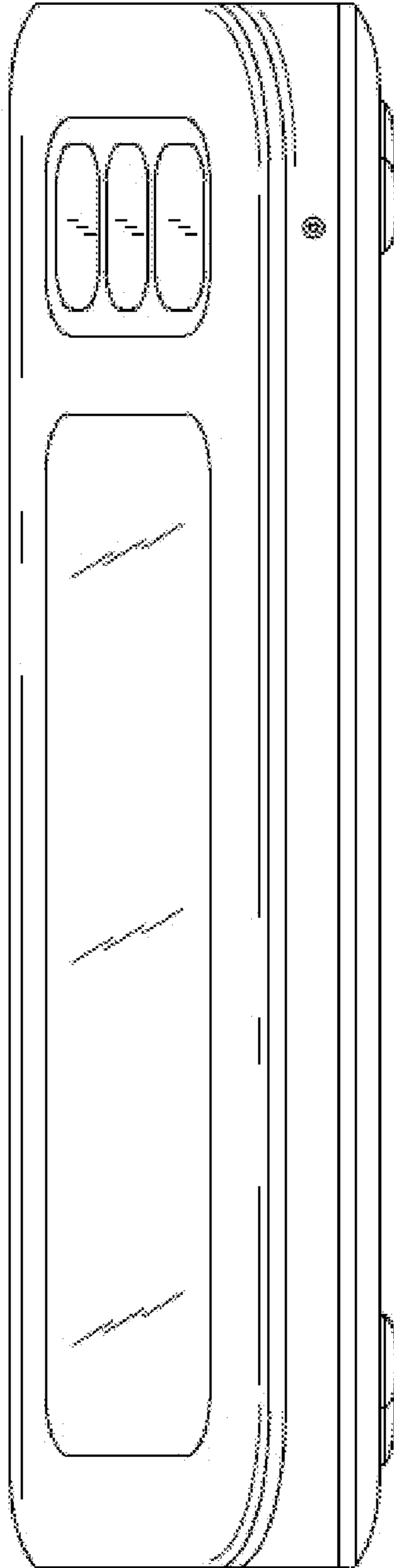


Figure 4

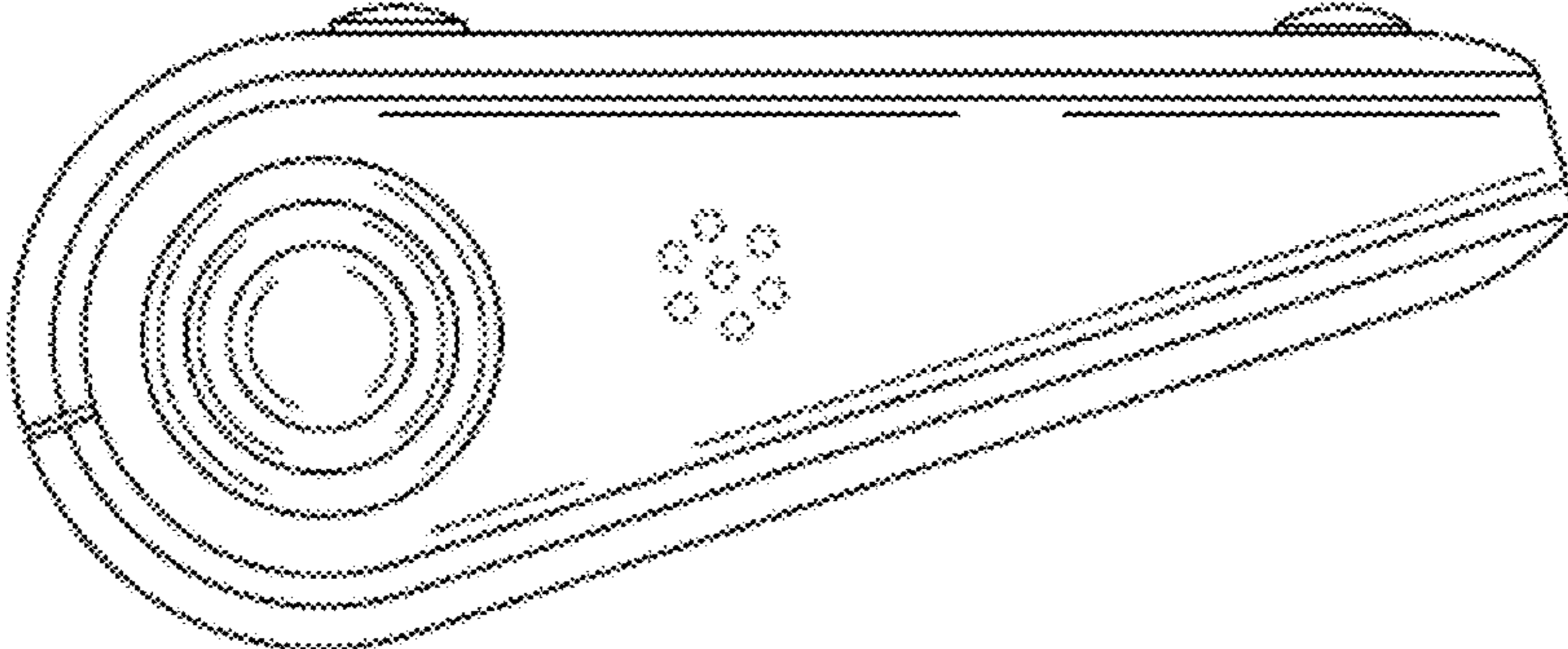


Figure 5

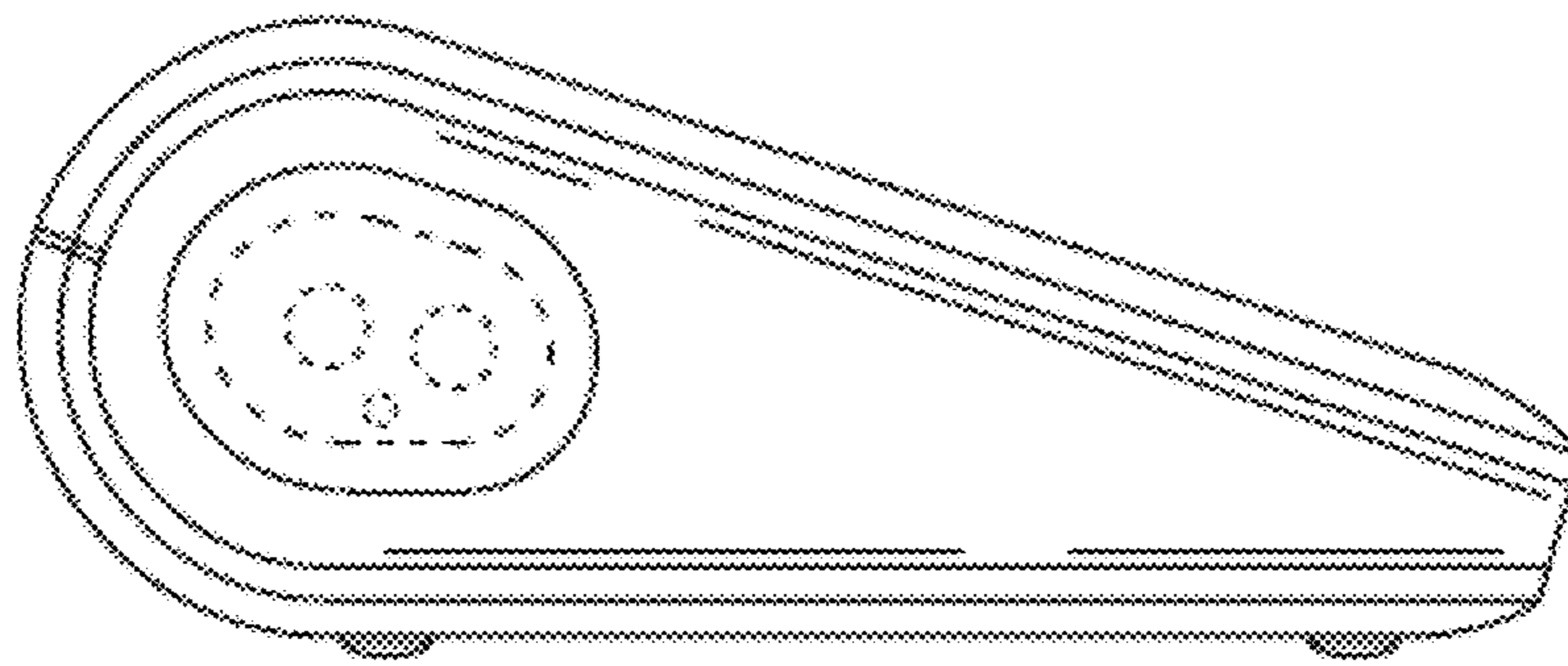


Figure 6

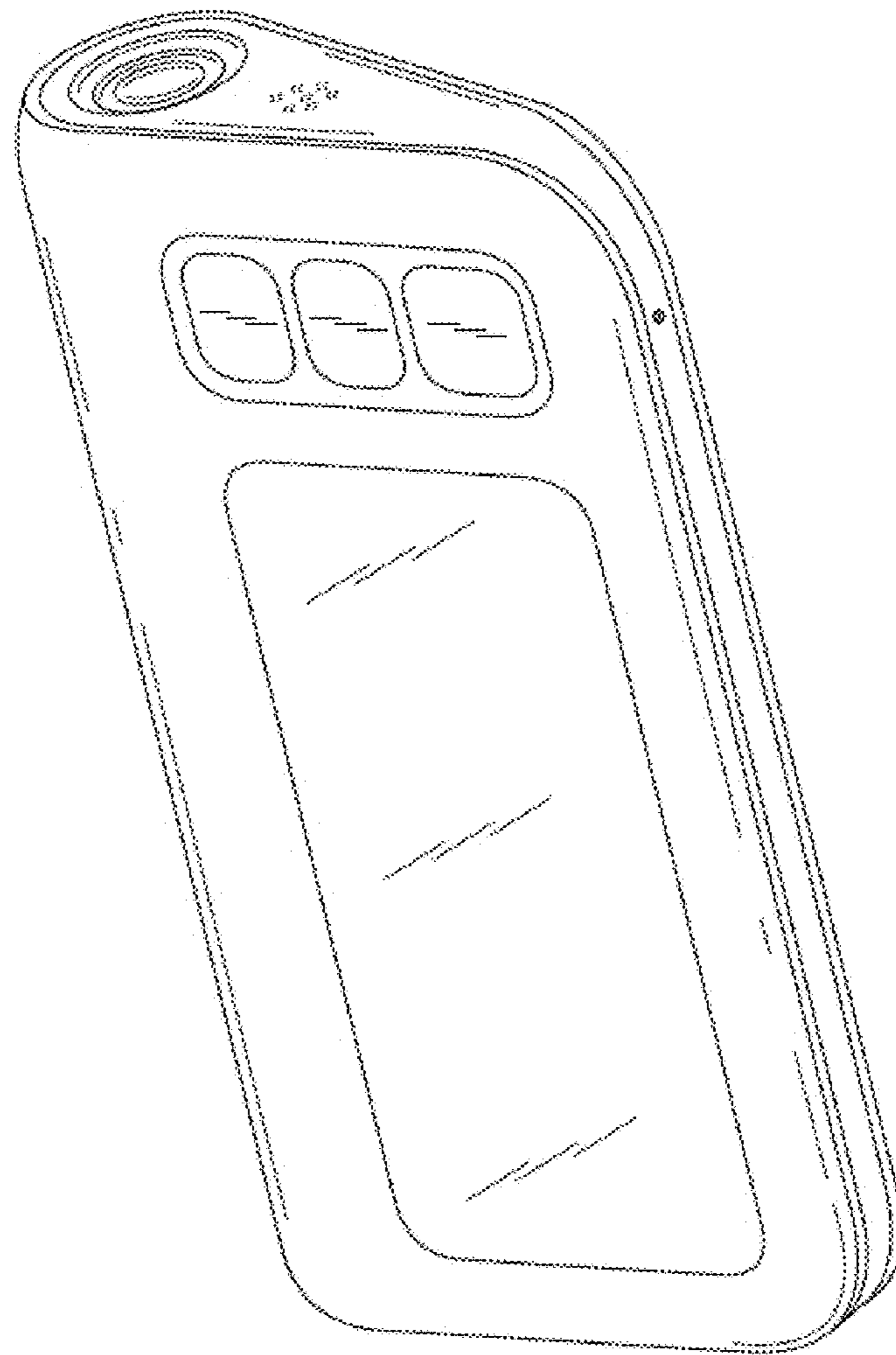


Figure 7