



US00D809661S

(12) **United States Design Patent**
Mueller et al.

(10) **Patent No.:** **US D809,661 S**

(45) **Date of Patent:** **** Feb. 6, 2018**

- (54) **CERVICAL INTERBODY SPACER**
- (71) Applicant: **CoreLink, LLC**, St. Louis, MO (US)
- (72) Inventors: **Michael Mueller**, St. Louis, MO (US);
Dan Hoehn, St. Louis, MO (US);
Adam Cowick, St. Louis, MO (US);
Josh Arnone, Wentzville, MO (US);
Derek Kuyper, St. Louis, MO (US)
- (73) Assignee: **CoreLink, LLC**, St. Louis, MO (US)

- D631,967 S * 2/2011 Horton D24/155
- 8,021,430 B2 * 9/2011 Michelson A61F 2/30744
623/17.16
- D682,427 S * 5/2013 Farris A61F 2/447
D24/155
- D692,136 S * 10/2013 Tyber D24/155
- D708,747 S * 7/2014 Curran D24/155
- 8,840,668 B1 * 9/2014 Donahoe A61B 17/1604
623/17.16
- D736,384 S * 8/2015 Palinchik D24/155
- D745,159 S * 12/2015 Lin D24/155
- D794,796 S * 8/2017 Lin D24/155

(**) Term: **15 Years**

(21) Appl. No.: **29/582,161**

(22) Filed: **Oct. 25, 2016**

(51) **LOC (11) Cl.** **24-02**

(52) **U.S. Cl.**
USPC **D24/155**

(58) **Field of Classification Search**
USPC D24/155-157
CPC A61F 2/4611; A61F 2/442; A61F 2/447;
A61F 2220/0025; A61F 2310/00023;
A61F 2310/00017; A61F 2002/4475;
A61F 2002/30841; A61F 2002/2835;
A61F 2002/30904; A61F 2002/30785;
A61F 2002/443; A61F 2002/30578
See application file for complete search history.

(56) **References Cited**

U.S. PATENT DOCUMENTS

- D595,853 S * 7/2009 Hanson A61F 2/447
D24/155
- D623,747 S * 9/2010 Horton A61F 2/442
D24/155
- D623,750 S * 9/2010 Duffield D24/155

* cited by examiner

Primary Examiner — Charles Hanson

(74) *Attorney, Agent, or Firm* — Senniger Powers LLP

(57) **CLAIM**

The ornamental design for a cervical interbody spacer, as shown and described.

DESCRIPTION

FIG. 1 is a perspective of a cervical interbody spacer, including metal foam generally at upper and lower portions of the cervical interbody spacer;

FIG. 2 is a front elevational view of the cervical interbody spacer;

FIG. 3 is a top plan view of the cervical interbody spacer;

FIG. 4 is a right elevational view of the cervical interbody spacer;

FIG. 5 is a rear elevational view of the cervical interbody spacer;

FIG. 6 is a bottom plan view of the cervical interbody spacer; and,

FIG. 7 is a left elevational view of the cervical interbody spacer.

1 Claim, 7 Drawing Sheets

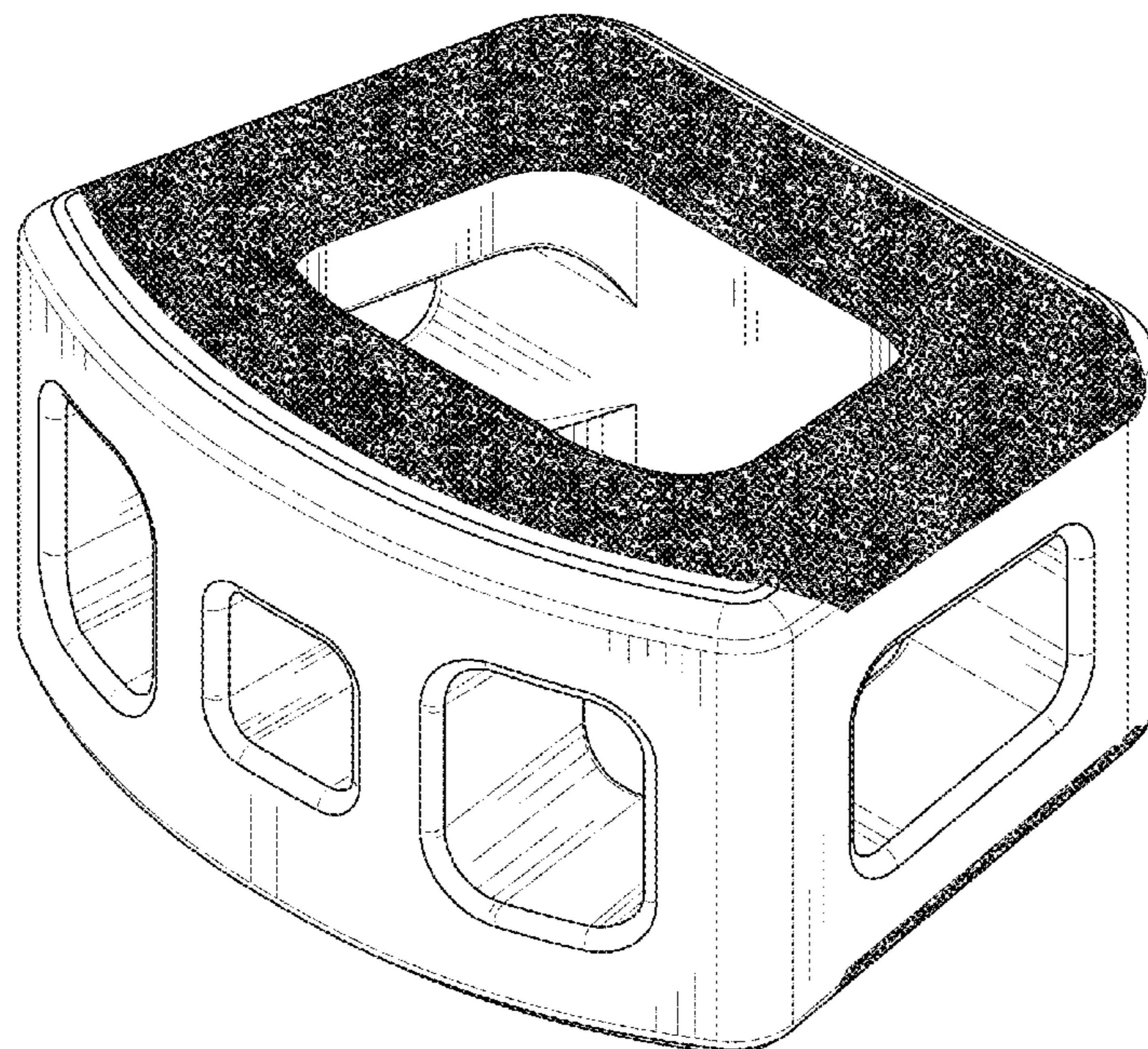


FIG. 1

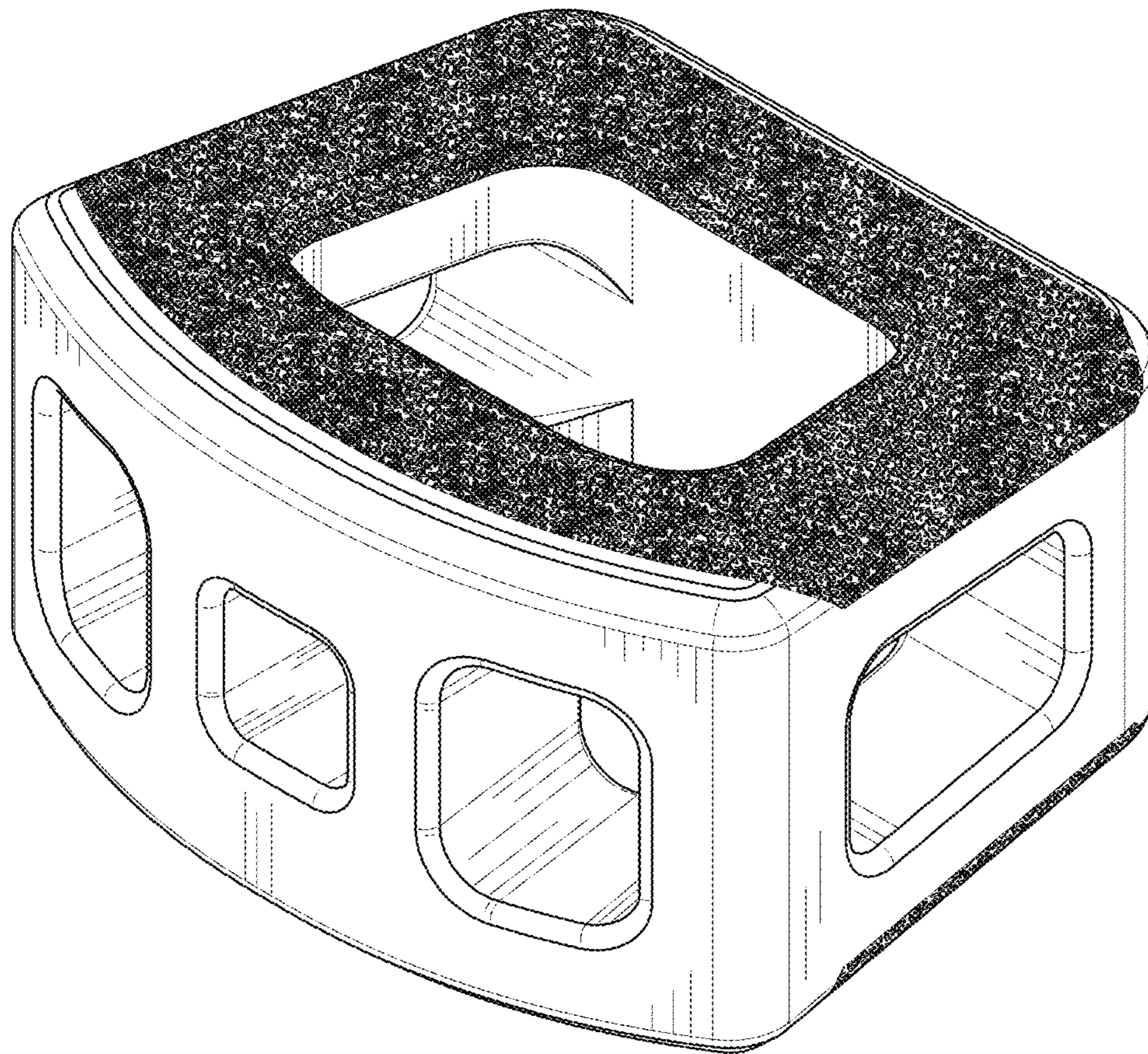


FIG. 2

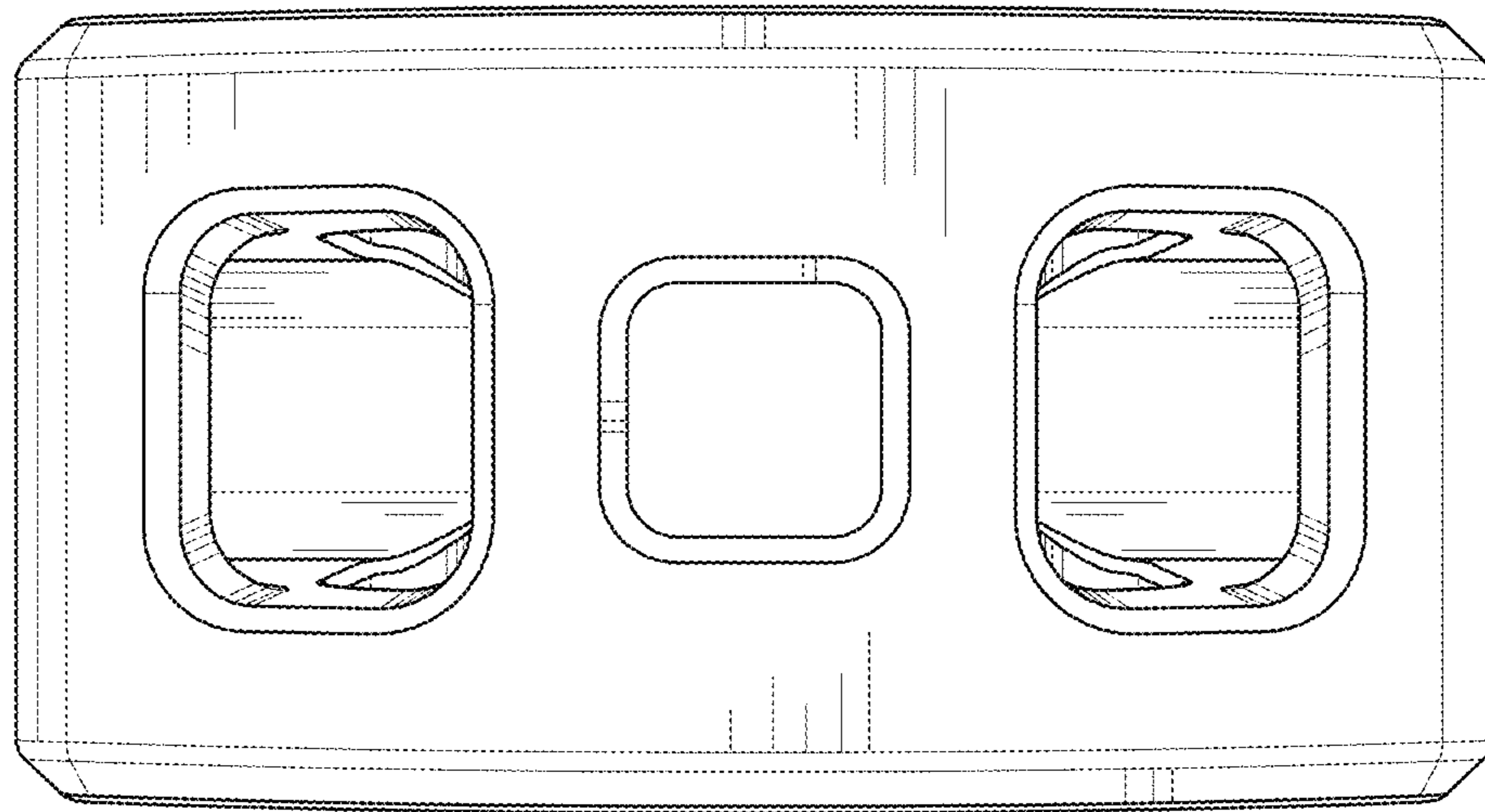


FIG. 3

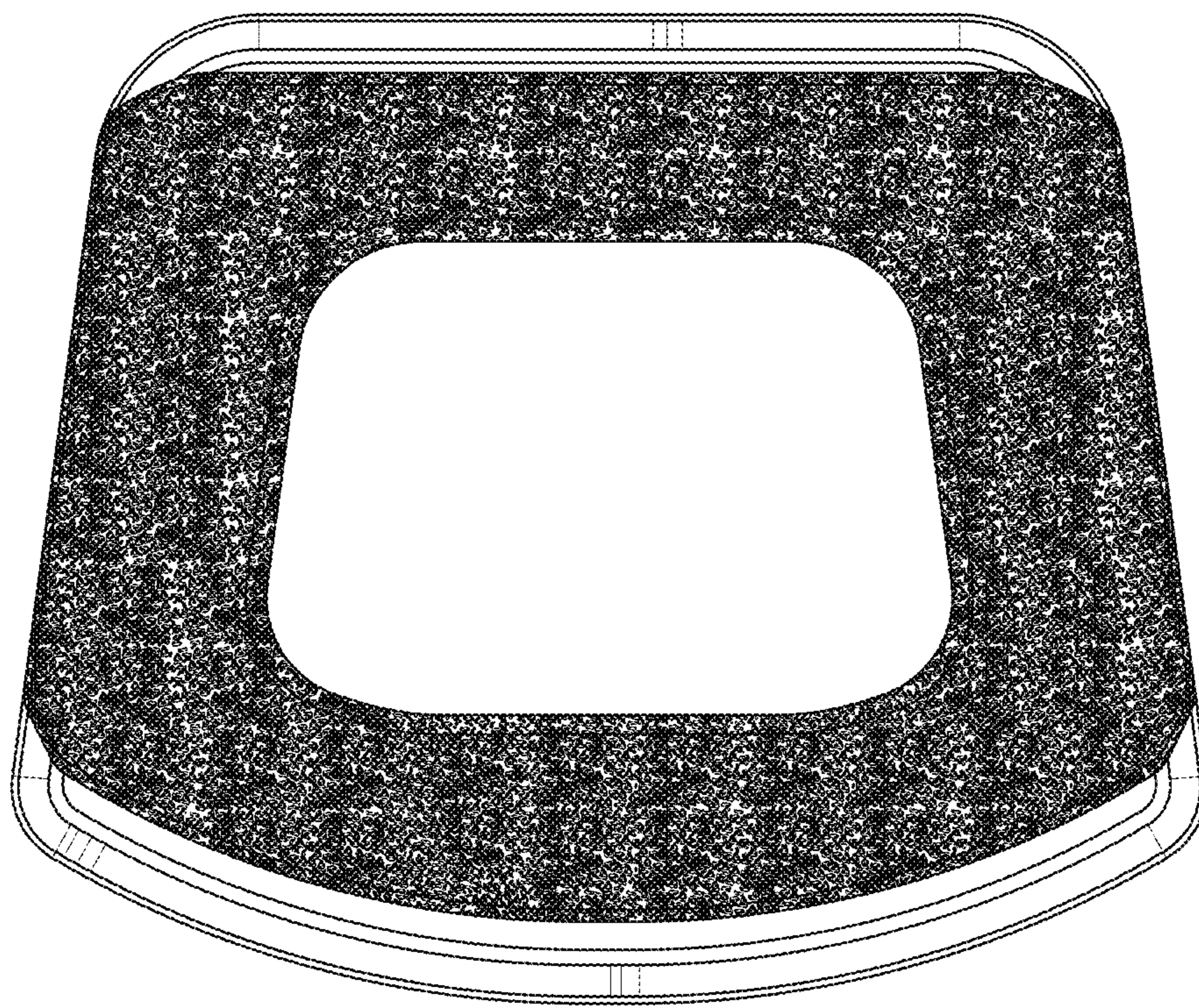


FIG. 4

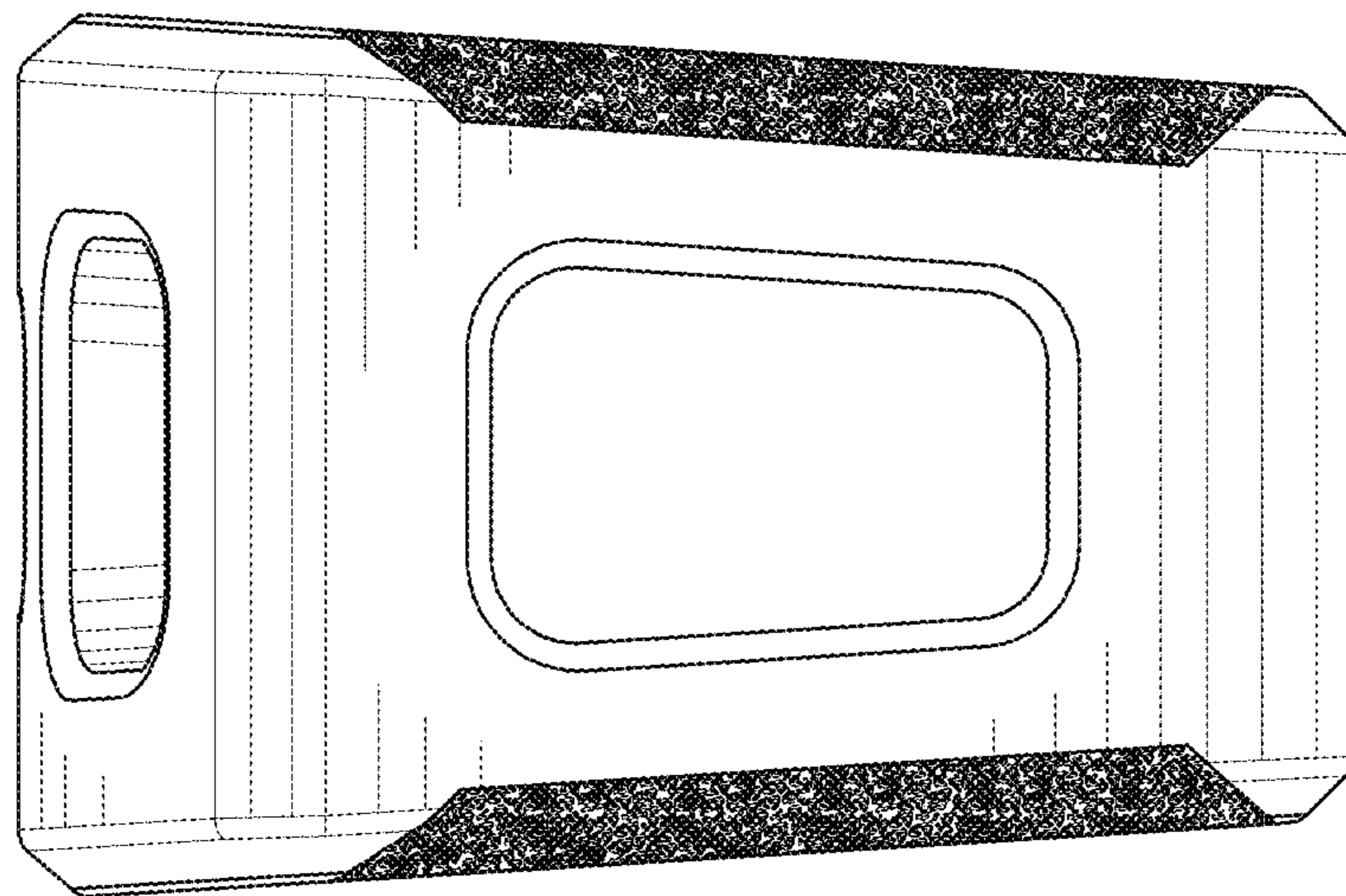


FIG. 5

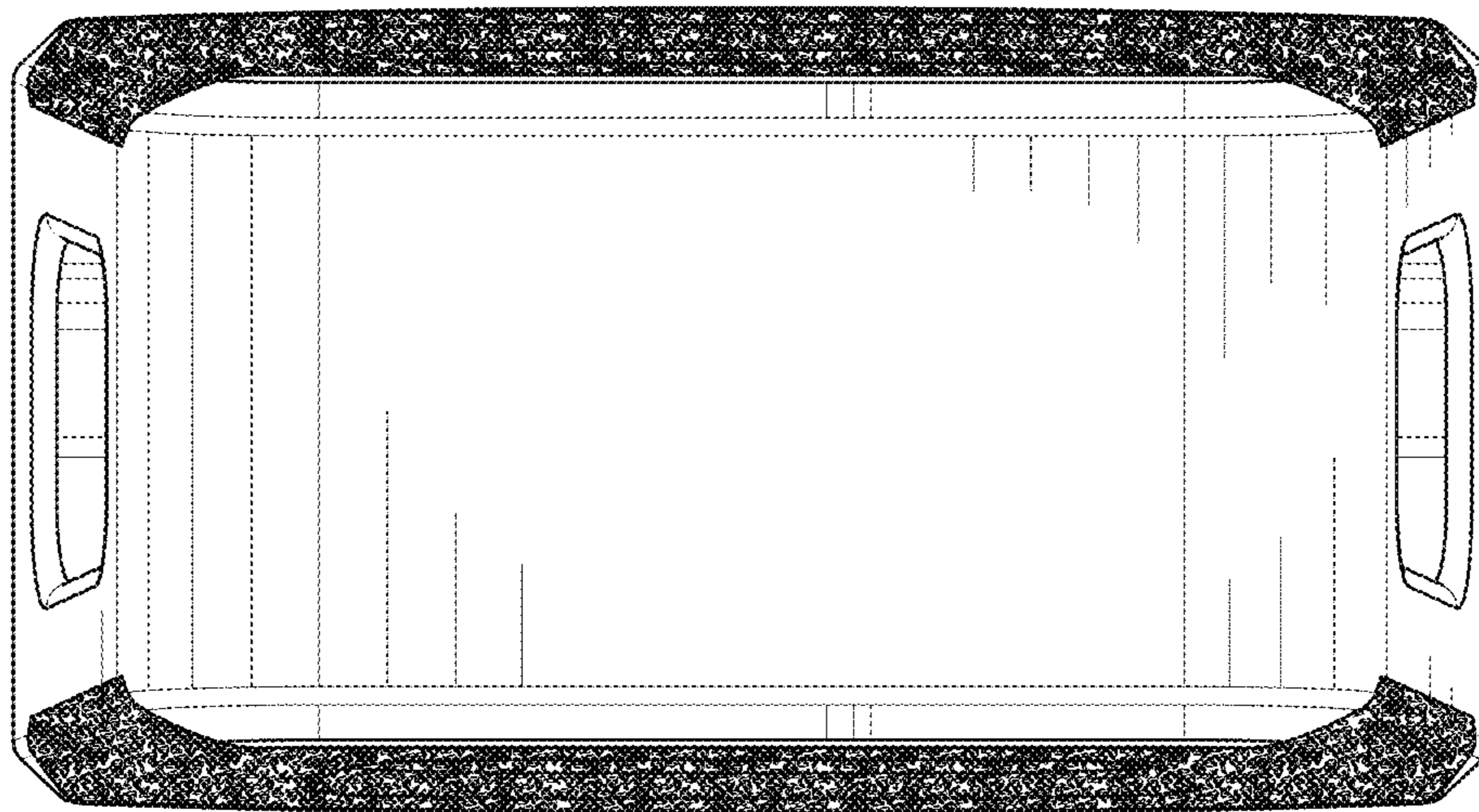


FIG. 6

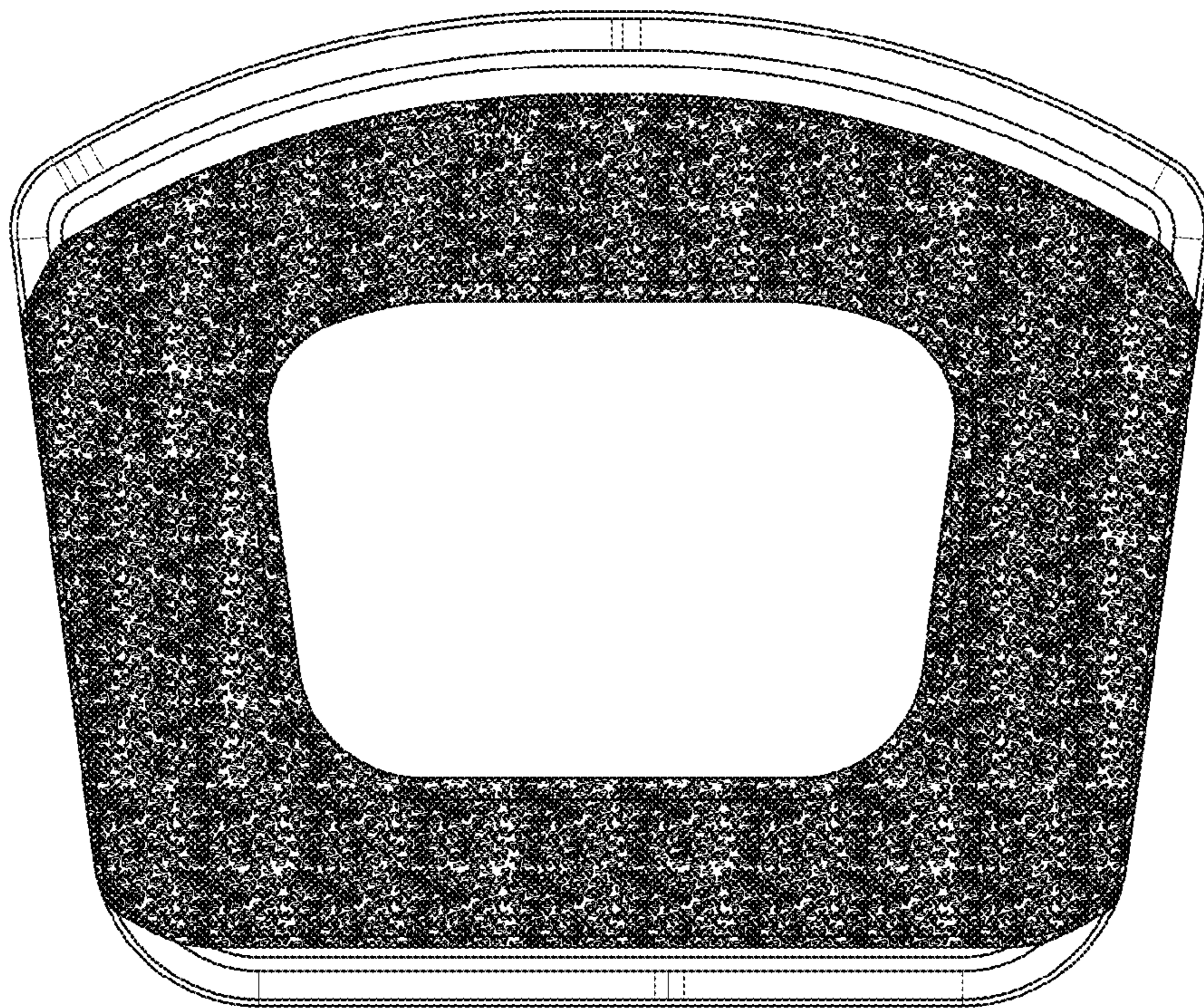


FIG. 7

