

US00D809660S

(12) **United States Design Patent** (10) **Patent No.:** **US D809,660 S**  
**Nguyen et al.** (45) **Date of Patent:** **\*\* Feb. 6, 2018**

(54) **CHEEK RETRACTOR FOR A DENTAL MOUTHPIECE**

FOREIGN PATENT DOCUMENTS

(71) Applicant: **Incept, Inc.**, Fountain Valley, CA (US)

CA 2851861 2/2016  
CN 102026587 4/2011

(Continued)

(72) Inventors: **Thien Nguyen**, Santa Ana, CA (US);  
**Tam Thanh Pham**, San Francisco, CA (US)

OTHER PUBLICATIONS

(73) Assignee: **DRYSHIELD, LLC**, Fountain Valley, CA (US)

PCT Application No. PCT/US2014/032892 International Search Report and Written Opinion dated Sep. 4, 2014.

(Continued)

(\*\*) Term: **14 Years**

*Primary Examiner* — Wan Laymon

(21) Appl. No.: **29/477,888**

(74) *Attorney, Agent, or Firm* — Polsinelli LLP

(22) Filed: **Dec. 27, 2013**

(57) **CLAIM**

**Related U.S. Application Data**

(63) Continuation of application No. 14/100,323, filed on Dec. 9, 2013, now Pat. No. 8,911,232.

The ornamental design for a cheek retractor for dental mouthpiece, as shown and described.

(51) **LOC (11) Cl.** ..... **24-02**

(52) **U.S. Cl.**  
USPC ..... **D24/152**

(58) **Field of Classification Search**  
USPC ..... D24/152, 133, 176, 108, 137; 433/29, 433/91-93, 140  
CPC ..... A61C 17/04; A61C 17/043; A61C 19/002; A61C 5/14  
See application file for complete search history.

**DESCRIPTION**

FIG. 1 is a perspective view of the cheek retractor for a dental mouthpiece;  
FIG. 2 is a top plan view thereof;  
FIG. 3 is a bottom plan view thereof;  
FIG. 4 is a right-side view thereof;  
FIG. 5 is a cross-sectional view thereof; taken along line 5-5 of FIG. 3;  
FIG. 6 is an enlarged cross-sectional view taken along line 6-6 of FIG. 4; and,  
FIG. 7 is an enlarged view taken along lines 7-7 in FIG. 4. The broken dashed (- - -) lines that are bolded in FIGS. 1-7 illustrate a boundary of the claimed cheek retractor design and form no part thereof. The unbolded broken dashed (- - -) lines showing in FIGS. 1-7 are included for illustrative purposes only and are directed at illustrating portions of the dental mouthpiece that form no part of the claimed design.

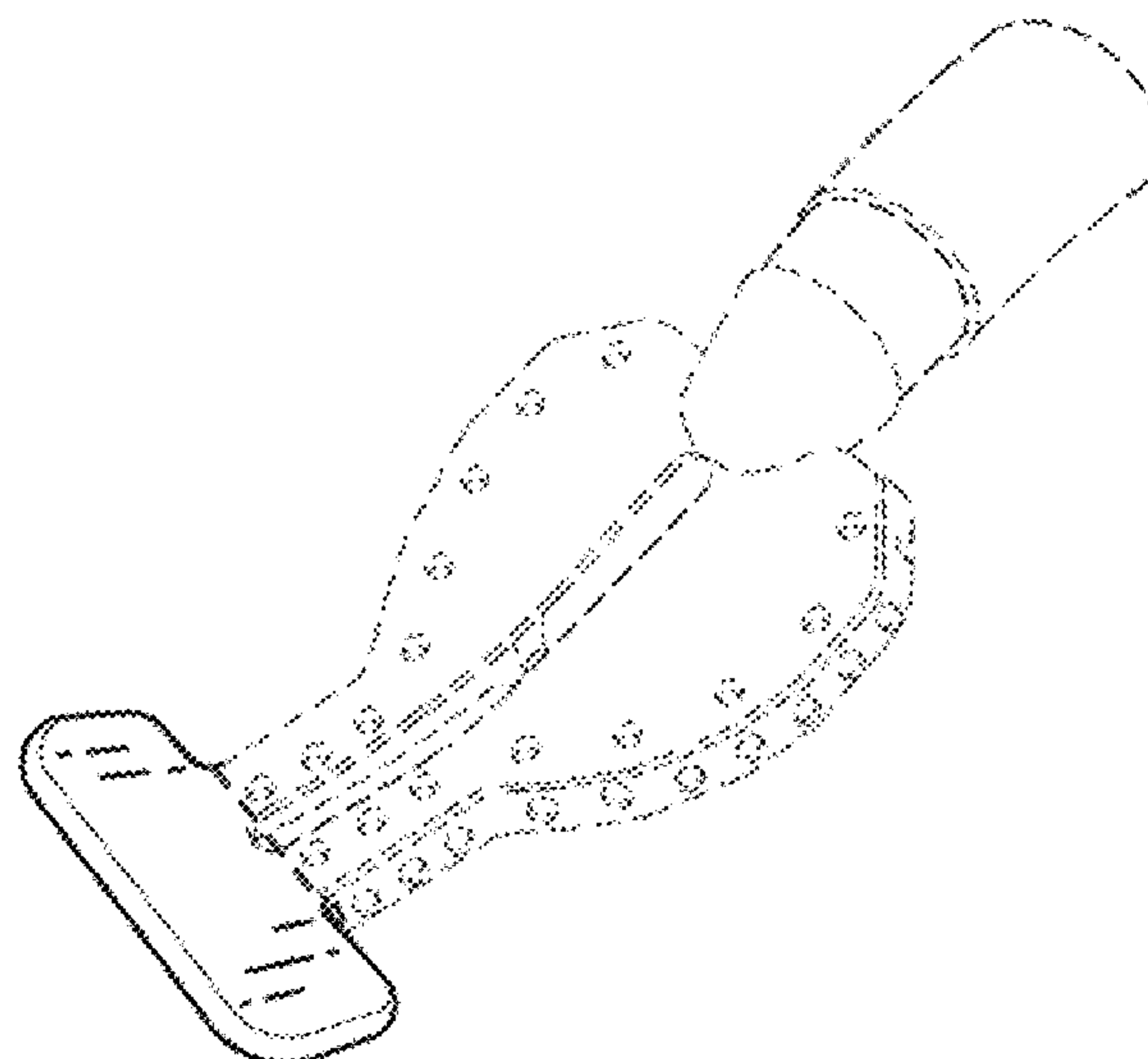
(56) **References Cited**

U.S. PATENT DOCUMENTS

50,461 A 10/1865 Dibble  
1,471,207 A 10/1923 Napoleon  
2,937,445 A 5/1960 Erickson  
3,090,122 A 5/1963 Erickson  
3,768,477 A 10/1973 Anders et al.  
3,802,081 A 4/1974 Rogers  
3,877,691 A 4/1975 Foster

(Continued)

**1 Claim, 4 Drawing Sheets**



(56)

References Cited

U.S. PATENT DOCUMENTS

3,924,333 A 12/1975 Erickson  
 4,017,975 A 4/1977 Johnson  
 4,024,642 A 5/1977 Zorovich  
 4,083,115 A 4/1978 McKelvey  
 4,167,814 A 9/1979 Schubert  
 4,192,071 A 3/1980 Erickson  
 4,511,329 A 4/1985 Diamond  
 4,718,662 A 1/1988 North  
 4,802,851 A 2/1989 Rhoades  
 4,822,278 A 4/1989 Oliva et al.  
 5,037,298 A 8/1991 Hickham  
 5,078,602 A 1/1992 Honoshofsky  
 5,460,524 A 10/1995 Anderson  
 5,516,286 A 5/1996 Kushner  
 5,762,496 A 6/1998 Albertsson et al.  
 5,890,899 A 4/1999 Sclafani  
 6,022,214 A 2/2000 Hirsch et al.  
 6,213,772 B1 4/2001 Costello  
 6,267,591 B1 7/2001 Barstow  
 6,338,627 B2 1/2002 Hirsch et al.  
 6,575,746 B2 6/2003 Hirsch et al.  
 D495,799 S \* 9/2004 Hirsch ..... D24/152  
 D497,426 S 10/2004 Hirsch et al.  
 6,908,308 B2 6/2005 Hirsch et al.  
 6,974,321 B2 \* 12/2005 Hirsch ..... A61C 17/04  
 433/140  
 7,287,981 B2 10/2007 Hirsch  
 7,293,990 B2 11/2007 Hirsch et al.  
 7,611,354 B2 11/2009 Hirsch et al.  
 D615,203 S \* 5/2010 Hirsch ..... A61C 17/04  
 D24/152  
 7,748,981 B2 7/2010 Hirsch et al.  
 8,029,280 B2 \* 10/2011 Black ..... A61C 17/043  
 433/140  
 8,057,227 B2 11/2011 Hirsch et al.  
 8,057,228 B2 11/2011 Hirsch et al.  
 8,075,310 B2 12/2011 Hirsch et al.  
 8,297,973 B2 10/2012 Hirsch et al.  
 8,529,256 B2 9/2013 Hirsch et al.  
 8,535,056 B2 9/2013 Dragan et al.  
 D696,779 S 12/2013 Hirsch et al.  
 8,911,232 B2 12/2014 Nguyen  
 D734,851 S \* 7/2015 Nguyen ..... D24/152  
 9,084,656 B2 \* 7/2015 Hirsch ..... A61C 17/043  
 9,089,389 B2 \* 7/2015 Hirsch ..... A61C 5/14  
 9,358,086 B2 \* 6/2016 Hirsch ..... A61C 17/043  
 9,788,924 B2 10/2017 Nguyen  
 2003/0134253 A1 7/2003 Hirsch et al.  
 2006/0063126 A1 3/2006 Aloise et al.  
 2006/0063129 A1 3/2006 Hirsch  
 2006/0084031 A1 4/2006 Hirsch et al.  
 2008/0166684 A1 7/2008 Kanas  
 2008/0318183 A1 12/2008 Suzman  
 2009/0123886 A1 5/2009 Vaska  
 2009/0274991 A1 11/2009 Black et al.  
 2011/0207076 A1 8/2011 Hirsch et al.

2011/0311942 A1 12/2011 Black et al.  
 2013/0095450 A1 4/2013 Ames  
 2013/0252193 A1 9/2013 Bowman et al.  
 2014/0004478 A1 1/2014 Hirsch et al.  
 2014/0162209 A1 6/2014 Nguyen  
 2014/0212837 A1 \* 7/2014 Nguyen ..... A61C 17/043  
 433/92  
 2014/0212838 A1 \* 7/2014 Nguyen ..... A61C 17/043  
 433/92  
 2014/0212839 A1 7/2014 Nguyen  
 2014/0212840 A1 7/2014 Nguyen  
 2014/0212841 A1 7/2014 Nguyen  
 2015/0305842 A1 \* 10/2015 Hirsch ..... A61C 17/043  
 433/95  
 2015/0335409 A1 \* 11/2015 Hirsch ..... A61C 17/043  
 433/93

FOREIGN PATENT DOCUMENTS

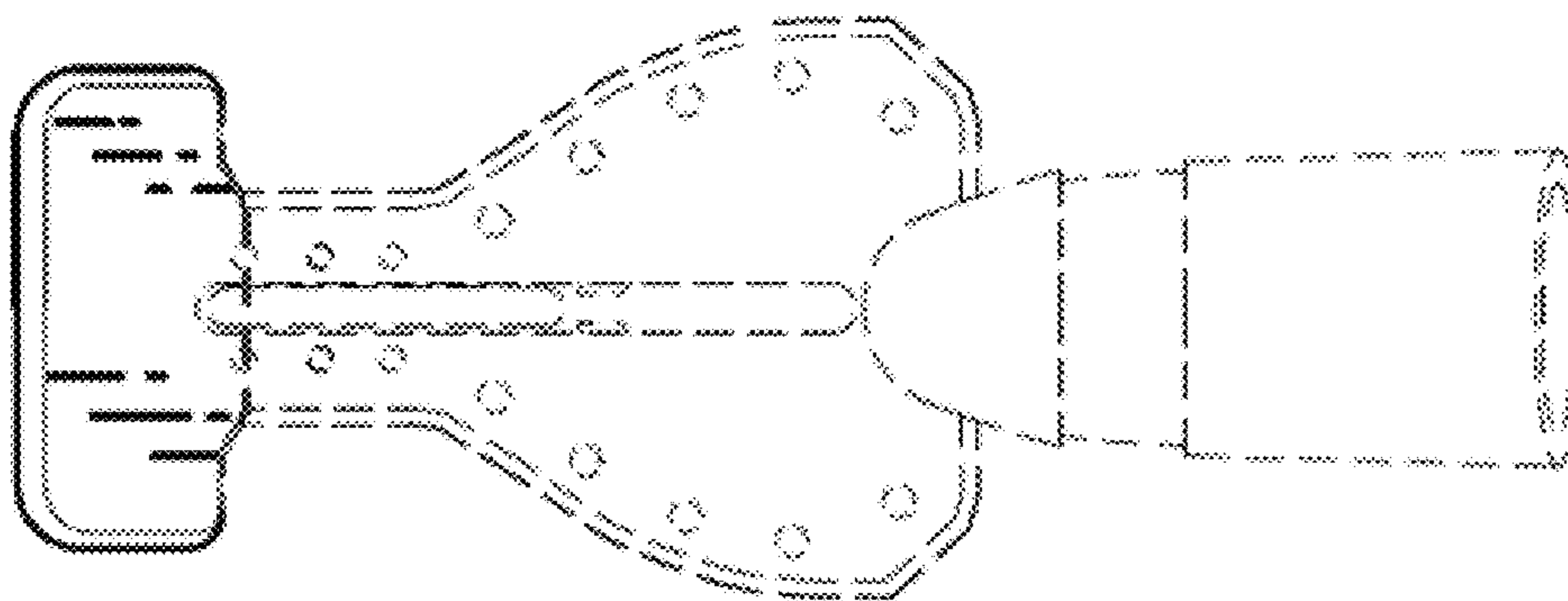
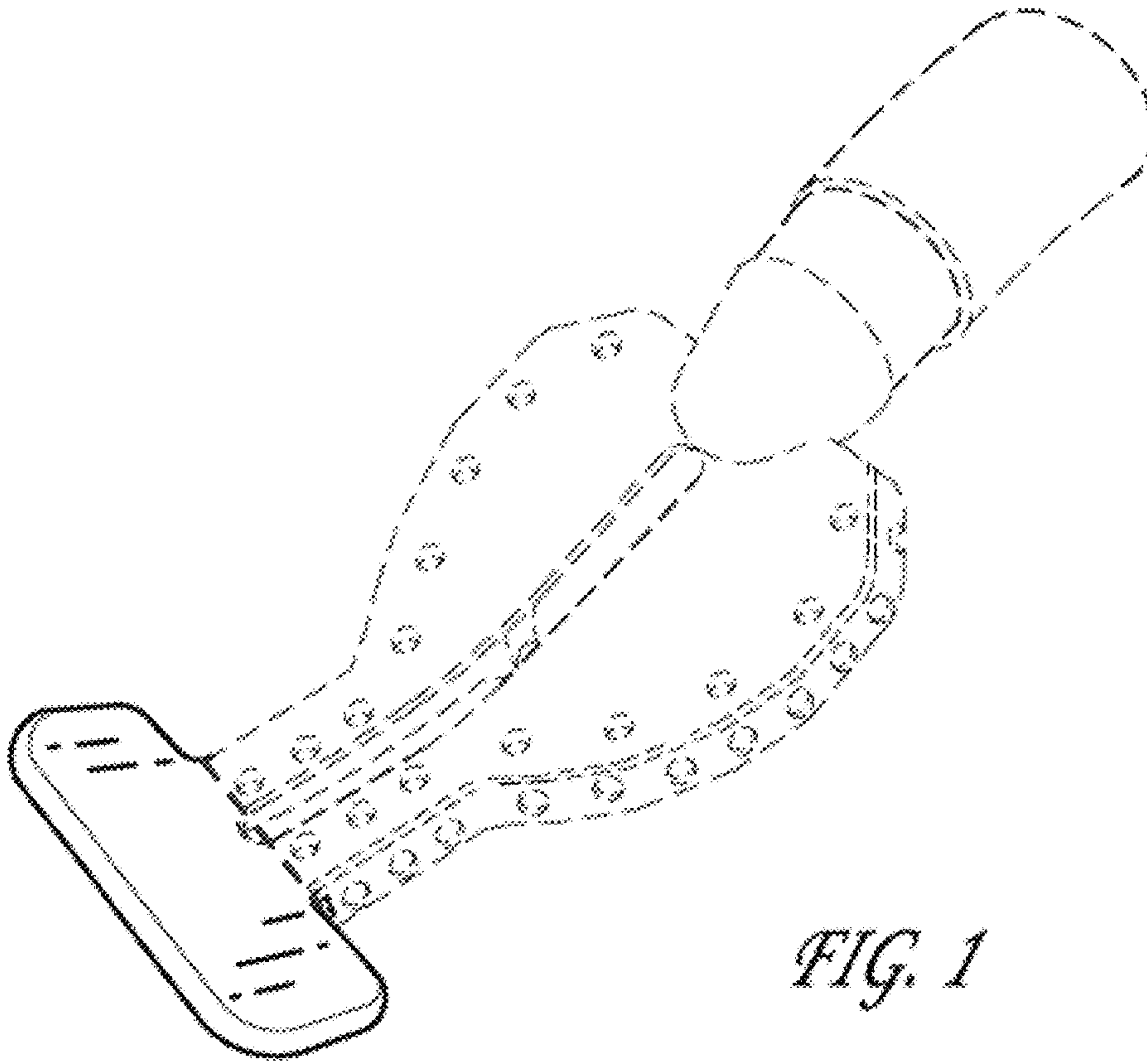
CN 102247140 11/2011  
 CN 105578986 A 5/2016  
 EP 3184076 6/2017  
 GB 2 170 106 7/1986  
 WO WO 1999/037238 7/1999  
 WO WO 2015/088577 6/2015

OTHER PUBLICATIONS

Australian Patent Application No. 2014202637; AU Examination Report dated Jan. 23, 2015.  
 U.S. Appl. No. 14/100,323; Final Office Action dated Oct. 24, 2014.  
 U.S. Appl. No. 14/100,323; Office Action dated May 6, 2014.  
 U.S. Appl. No. 29/491,367 Final Office Action dated Mar. 4, 2015.  
 U.S. Appl. No. 29/491,367 Office Action dated Nov. 14, 2014.  
 U.S. Appl. No. 29/477,887 Final Office Action dated May 1, 2015.  
 U.S. Appl. No. 29/477,887 Office Action dated Nov. 14, 2014.  
 U.S. Appl. No. 14/228,046; Office Action dated Nov. 7, 2016.  
 U.S. Appl. No. 14/228,050; Office Action dated Nov. 4, 2016.  
 U.S. Appl. No. 14/228,046; Final Office Action dated Jun. 6, 2016.  
 U.S. Appl. No. 14/228,050; Final Office Action dated May 20, 2016.  
 U.S. Appl. No. 14/228,057; Final Office Action dated Jun. 7, 2016.  
 U.S. Appl. No. 14/228,061; Final Office Action dated Jun. 30, 2016.  
 U.S. Appl. No. 29/477,887 Final Office Action dated Jun. 1, 2016.  
 Canadian Patent Application No. 2,919,142; CA Examination Report dated May 31, 2016.  
 U.S. Appl. No. 14/228,054; Final Office Action dated Apr. 24, 2017.  
 U.S. Appl. No. 14/228,057; Office Action dated Apr. 13, 2017.  
 U.S. Appl. No. 14/228,061; Office Action dated Apr. 12, 2017.  
 European Patent Application No. 17150671.0; Extended European Search Report dated May 19, 2017.  
 Chinese Patent Application No. 201480039991.2 First Office Action dated Dec. 29, 2016.  
 U.S. Appl. No. 14/228,046; Office Action dated Jun. 5, 2017.  
 U.S. Appl. No. 14/228,054; Final Office Action dated Nov. 2, 2017.  
 U.S. Appl. No. 14/228,057; Final Office Action dated Nov. 2, 2017.  
 U.S. Appl. No. 14/228,061; Final Office Action dated Oct. 20, 2017.

\* cited by examiner





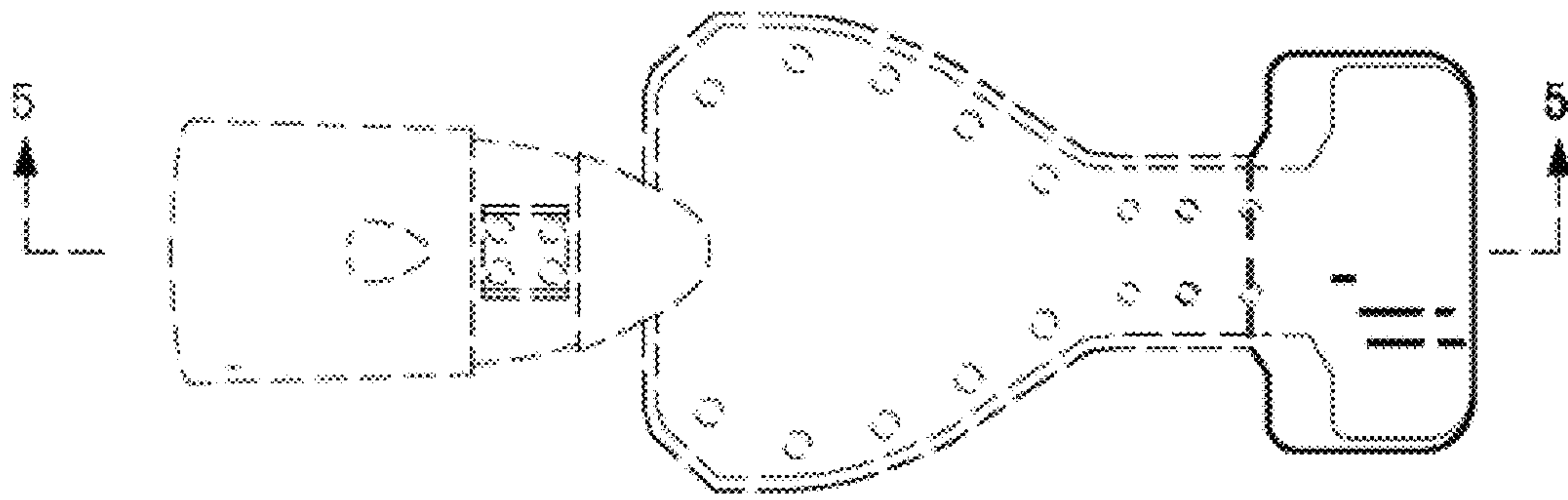


FIG. 3

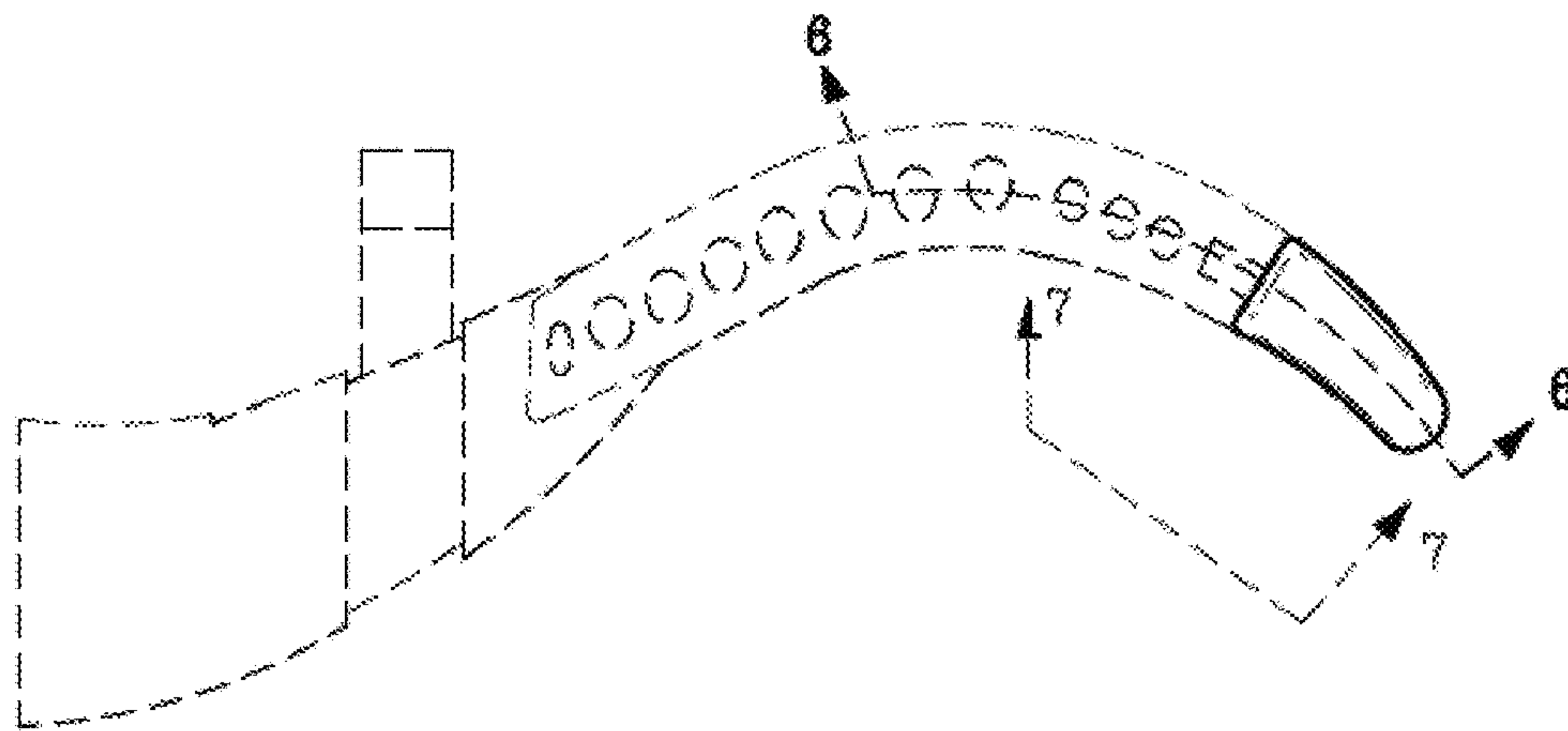


FIG. 4

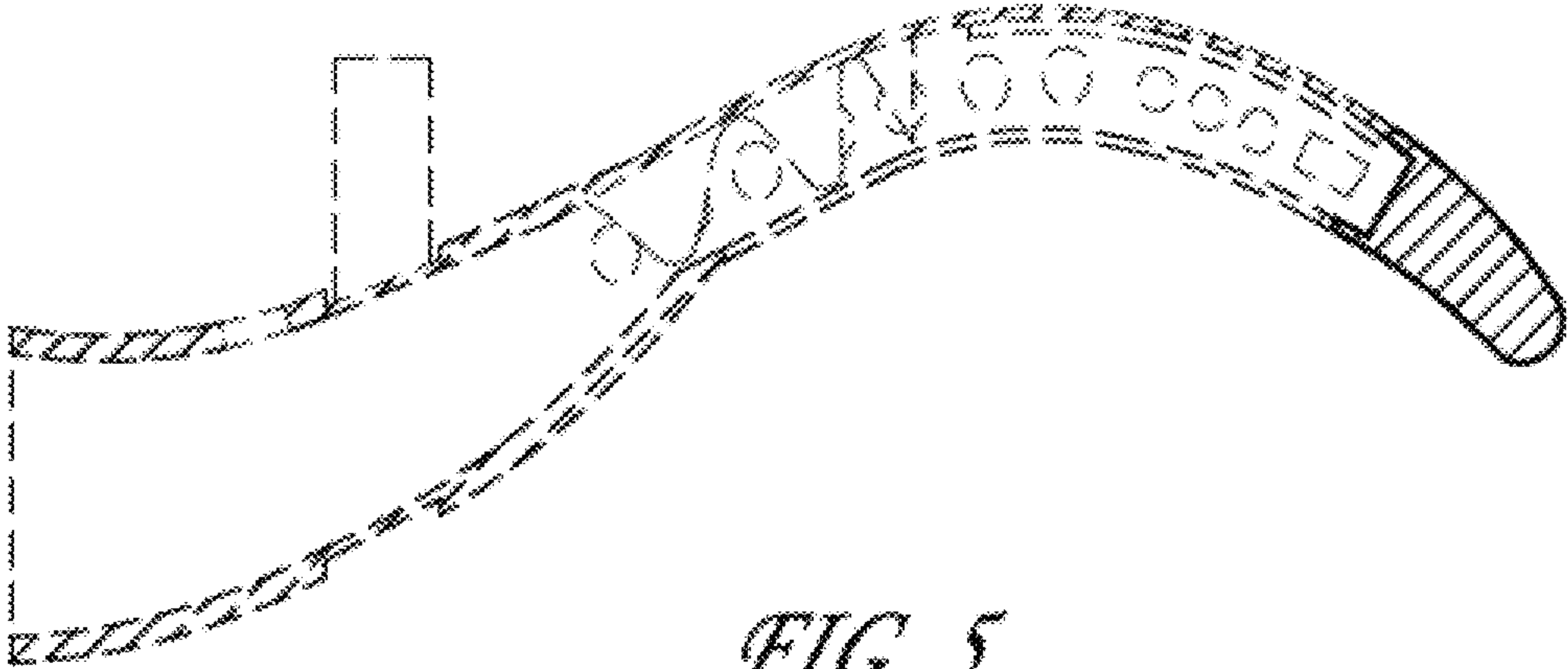
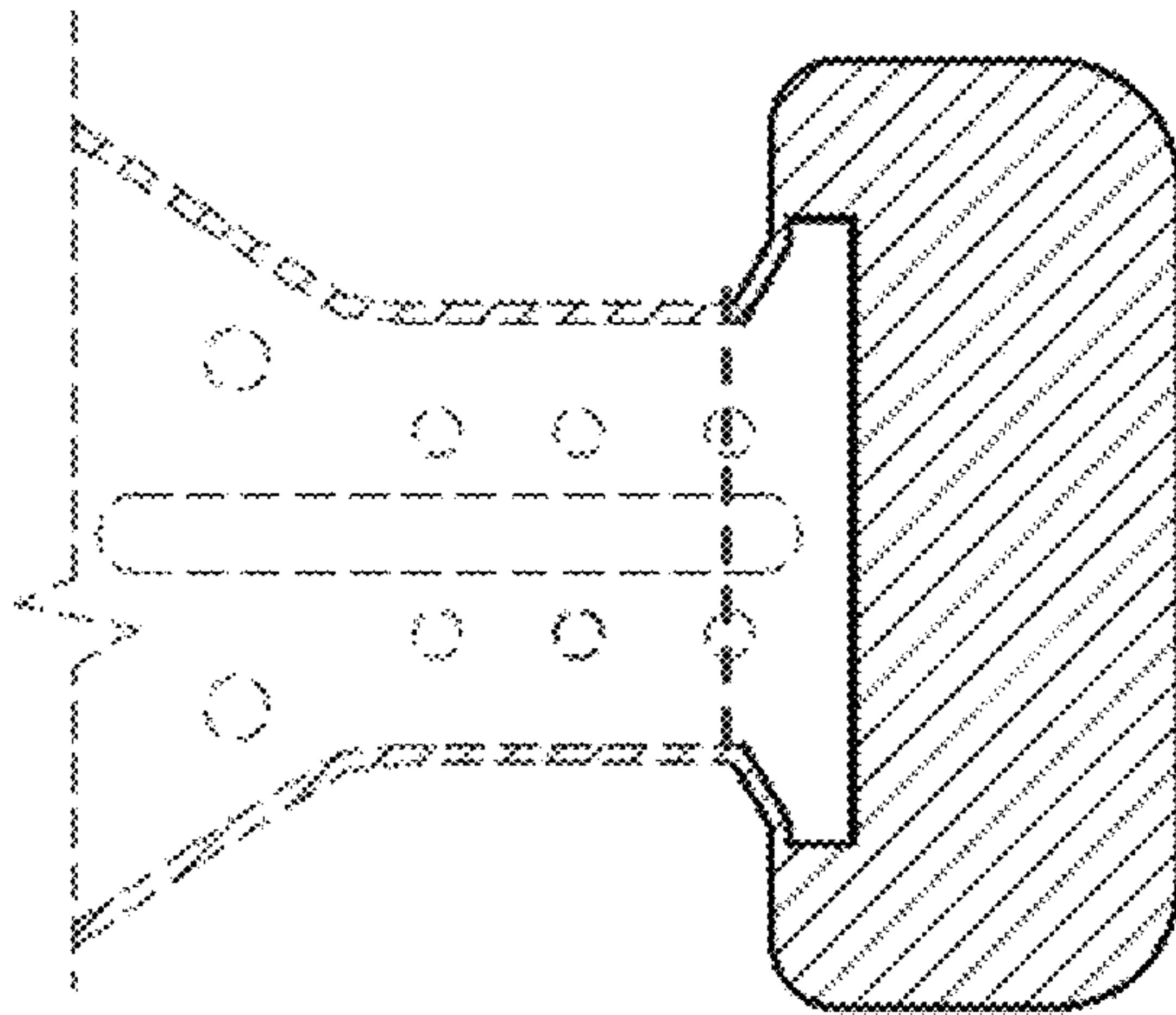
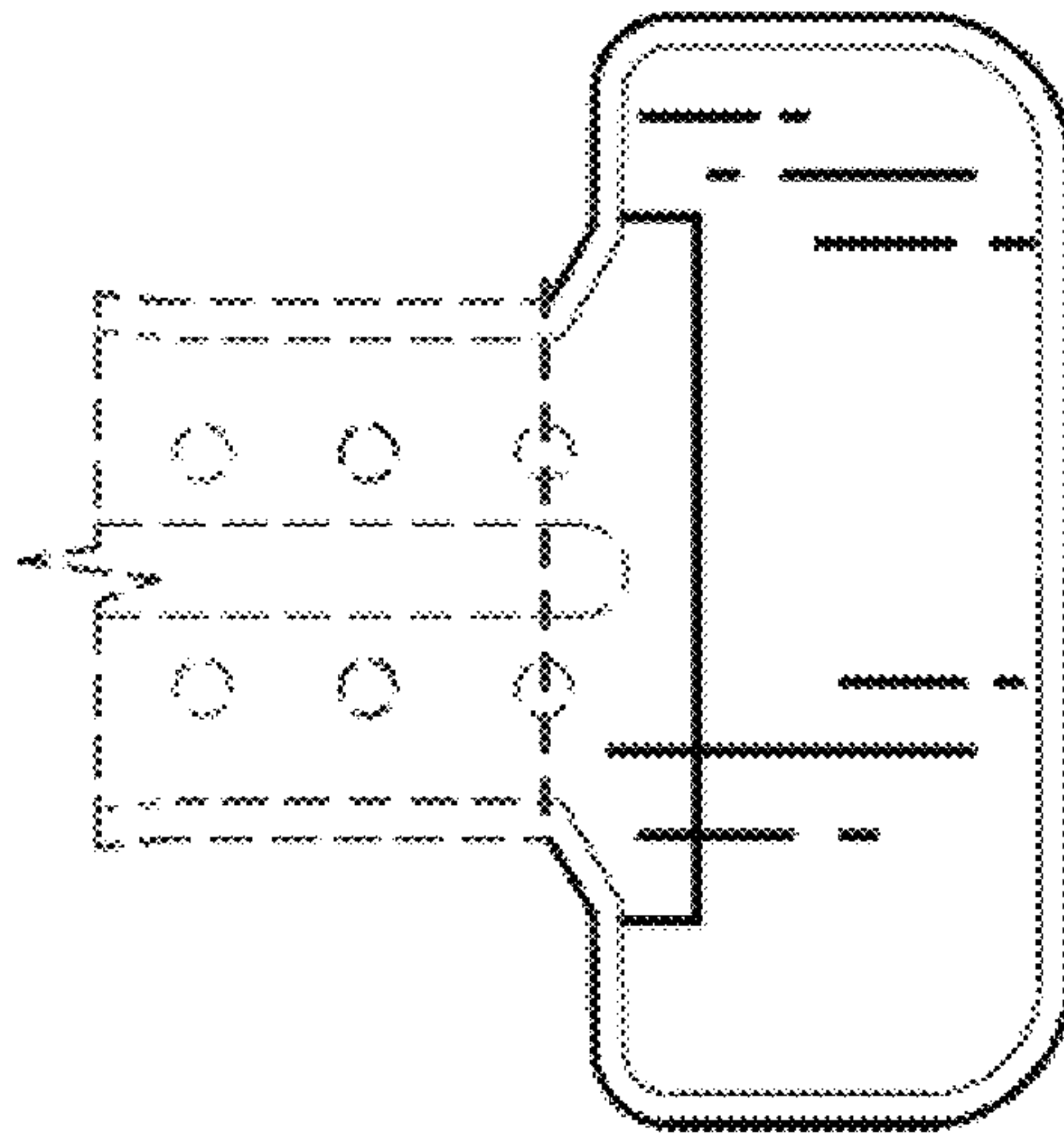


FIG. 5



*FIG. 6*



*FIG. 7*