

US00D809656S

(12) **United States Design Patent** (10) **Patent No.:** **US D809,656 S**
Lau et al. (45) **Date of Patent:** **** Feb. 6, 2018**

(54) **CONNECTOR FOR A BREATHING CIRCUIT**

FOREIGN PATENT DOCUMENTS

(71) Applicant: **Fisher & Paykel Healthcare Limited,**
Auckland (NZ)

WO WO 2013/022356 2/2013
WO WO 2014/097145 A1 6/2014
WO WO 2014/129912 8/2014

(72) Inventors: **Andrew Chi Lup Lau,** Auckland (NZ);
Richard Daniel Panara, Auckland
(NZ)

OTHER PUBLICATIONS

(73) Assignee: **Fisher & Paykel Healthcare Limited,**
Auckland (NZ)

International Search Report, PCT/IB2016/055258, dated Nov. 14,
2016, in 12 pages.

Fisher & Paykel Healthcare Limited, Junior Tube and Chamber Kit,
900PT531, 2012.

Photos of current commercial connector in 3 pages.

(**) Term: **15 Years**

* cited by examiner

(21) Appl. No.: **29/567,700**

Primary Examiner — Wan Laymon

Assistant Examiner — Mark Booker

(22) Filed: **Jun. 10, 2016**

(74) *Attorney, Agent, or Firm* — Knobbe, Martens, Olson
& Bear, LLP

(51) **LOC (11) Cl.** **24-02**

(52) **U.S. Cl.**
USPC **D24/129**

(58) **Field of Classification Search**
CPC A61B 5/087; A61B 5/097; A61B 5/0875;
G01N 33/4972; A63B 23/18; G01D
3/0365
See application file for complete search history.

(57) **CLAIM**

The ornamental design for a connector for a breathing
circuit, as shown and described.

DESCRIPTION

FIG. 1 is a perspective view of a connector for a breathing
circuit.

FIG. 2 is another perspective view thereof.

FIG. 3 is a left side view thereof.

FIG. 4 is a right side view thereof.

FIG. 5 is a front view thereof.

FIG. 6 is a rear view thereof.

FIG. 7 is a top view thereof.

FIG. 8 is a bottom view thereof.

FIG. 9 is a cross-sectional view thereof taken along line 9-9
of FIG. 5; and,

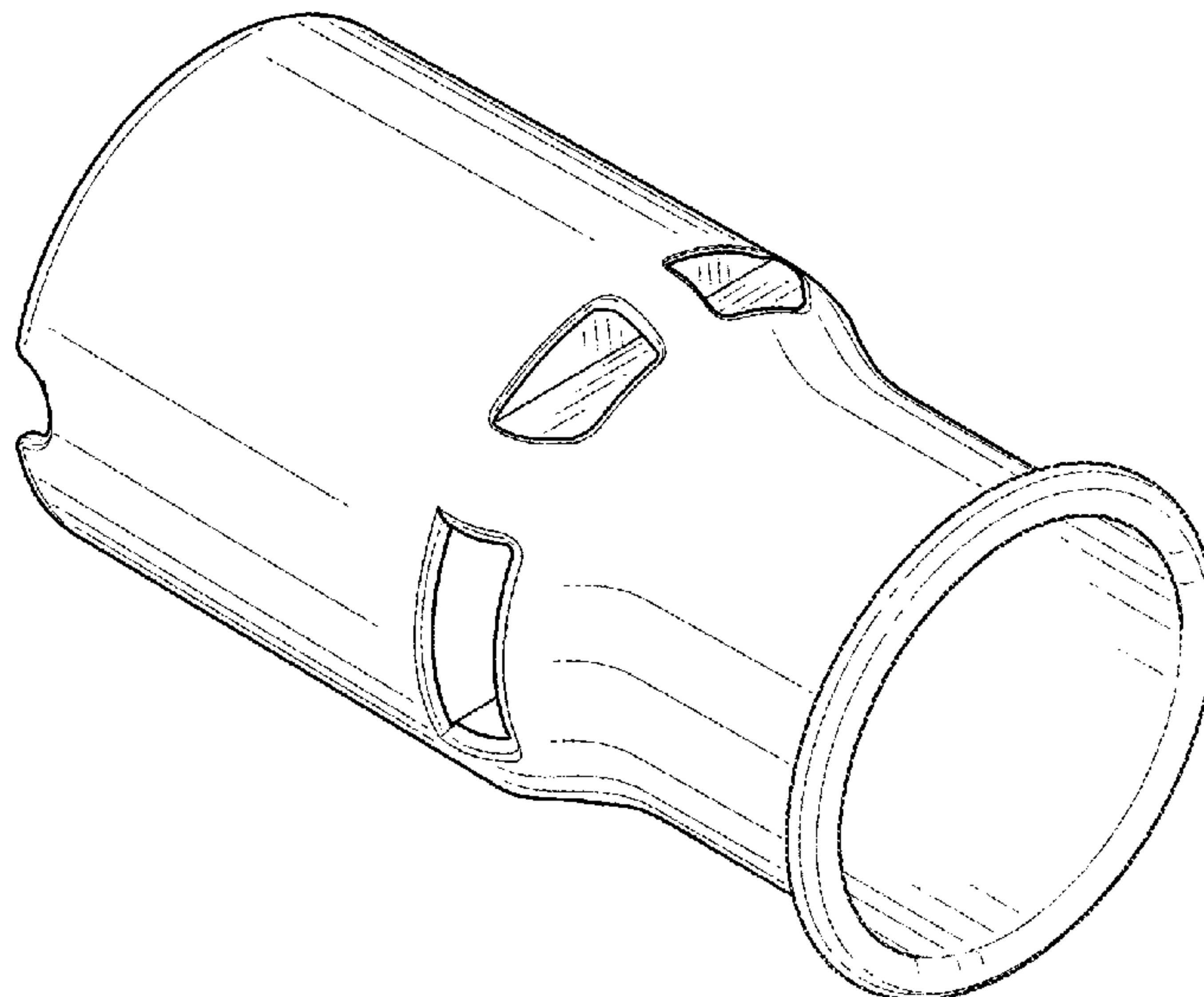
FIG. 10 is a cross-sectional view thereof taken along line
10-10 of FIG. 5.

(56) **References Cited**

U.S. PATENT DOCUMENTS

D424,687 S * 5/2000 Hoenig D24/110
6,484,724 B1 11/2002 Sloan
7,458,615 B2 12/2008 White et al.
D757,933 S * 5/2016 Lev D24/129
D785,789 S * 5/2017 Turturro D24/129
D790,054 S * 6/2017 Prentice D24/110
2008/0264413 A1 10/2008 Doherty et al.
2013/0167841 A1 7/2013 Sheffer et al.
2015/0021909 A1 1/2015 Gulliver et al.
2015/0167877 A1 6/2015 Kendrick

1 Claim, 10 Drawing Sheets



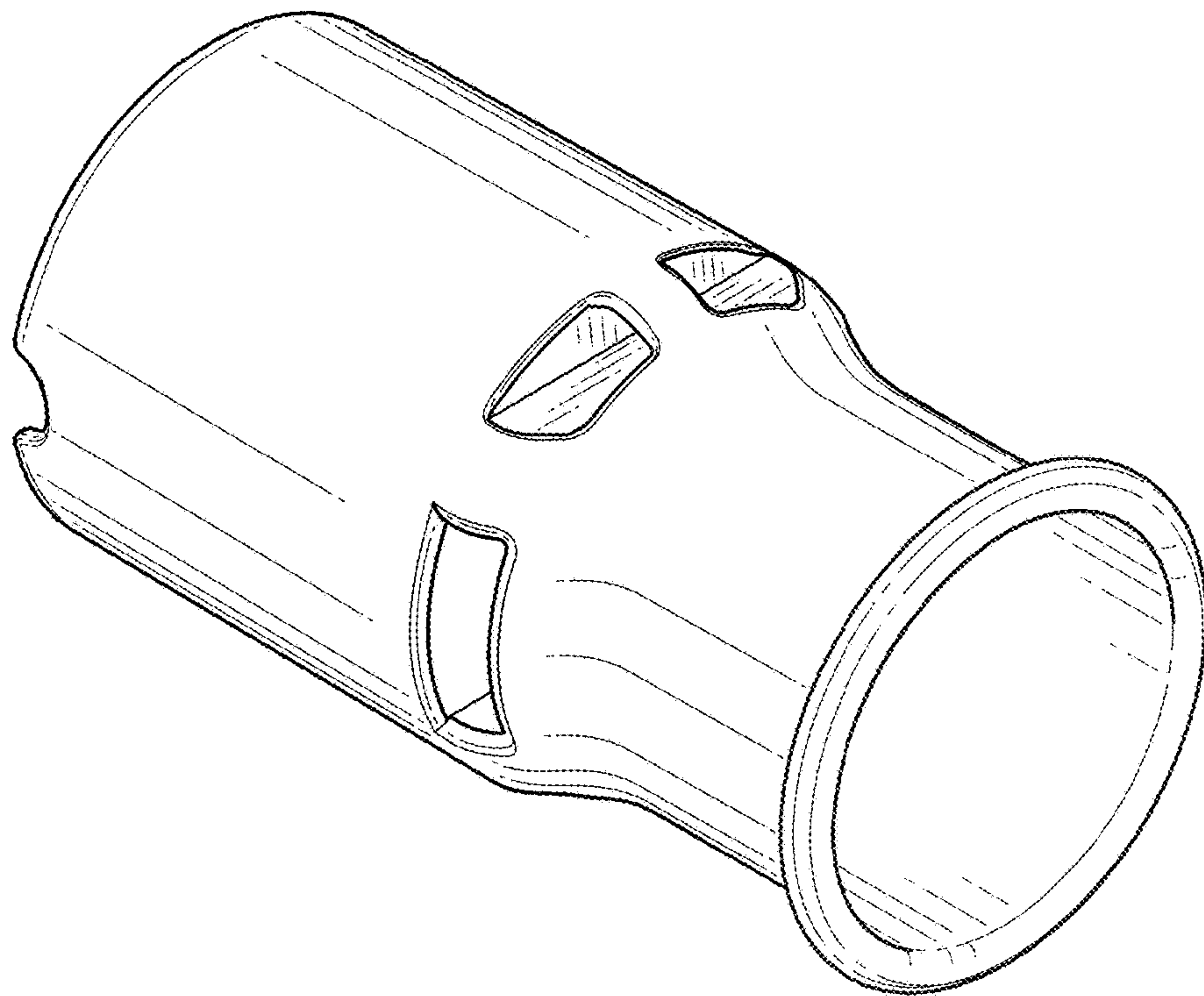


Figure 1

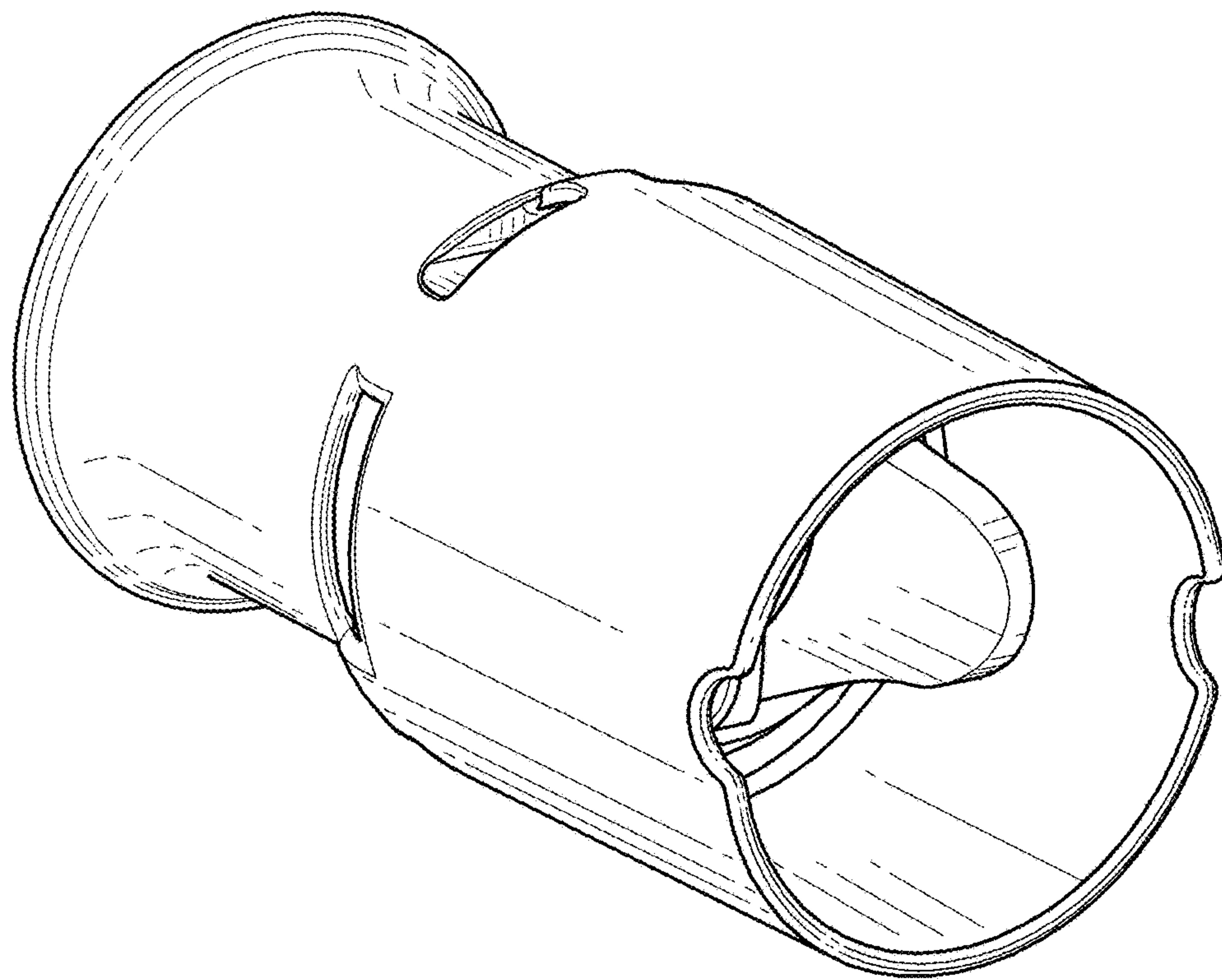


Figure 2

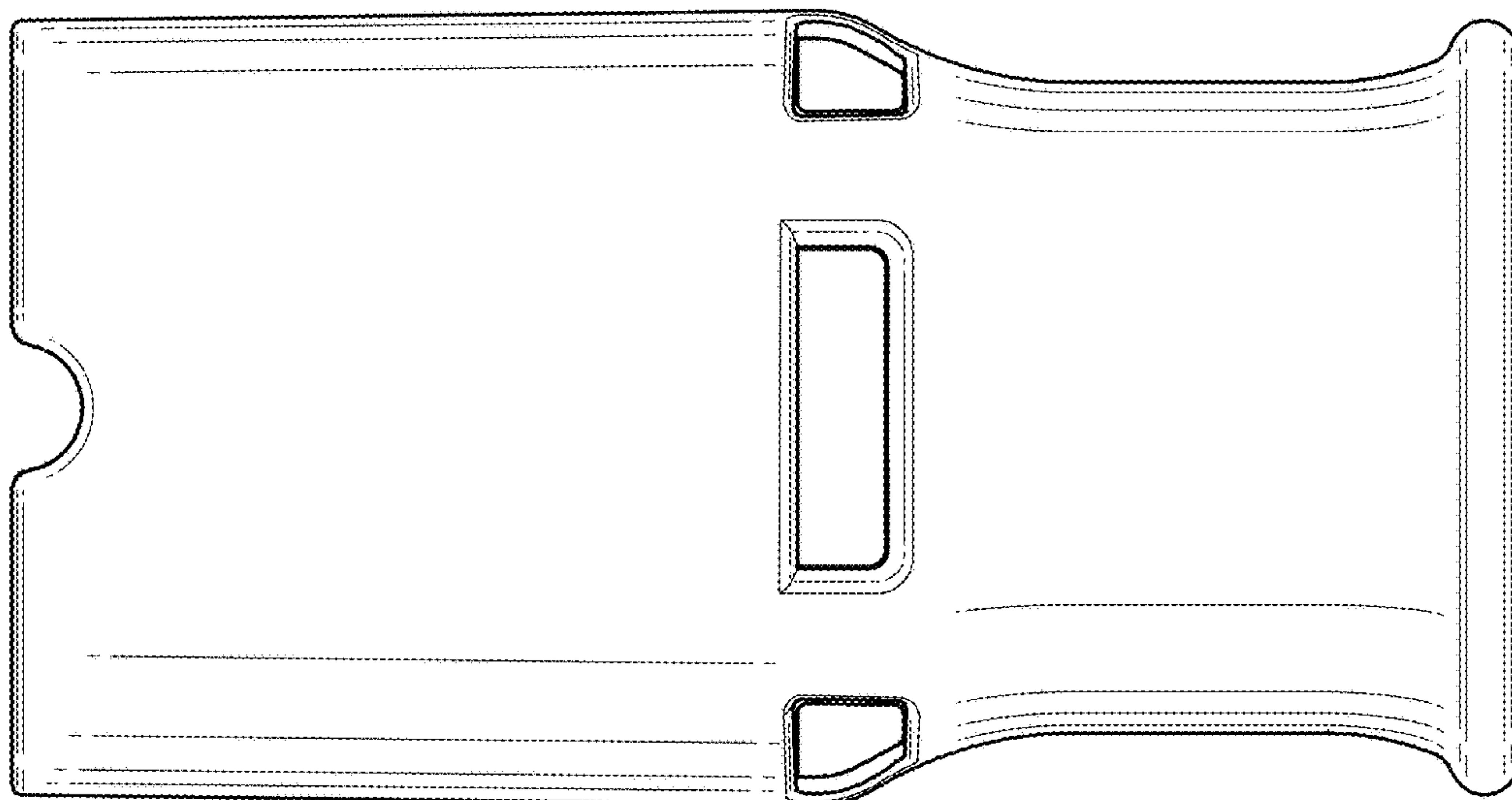


Figure 3

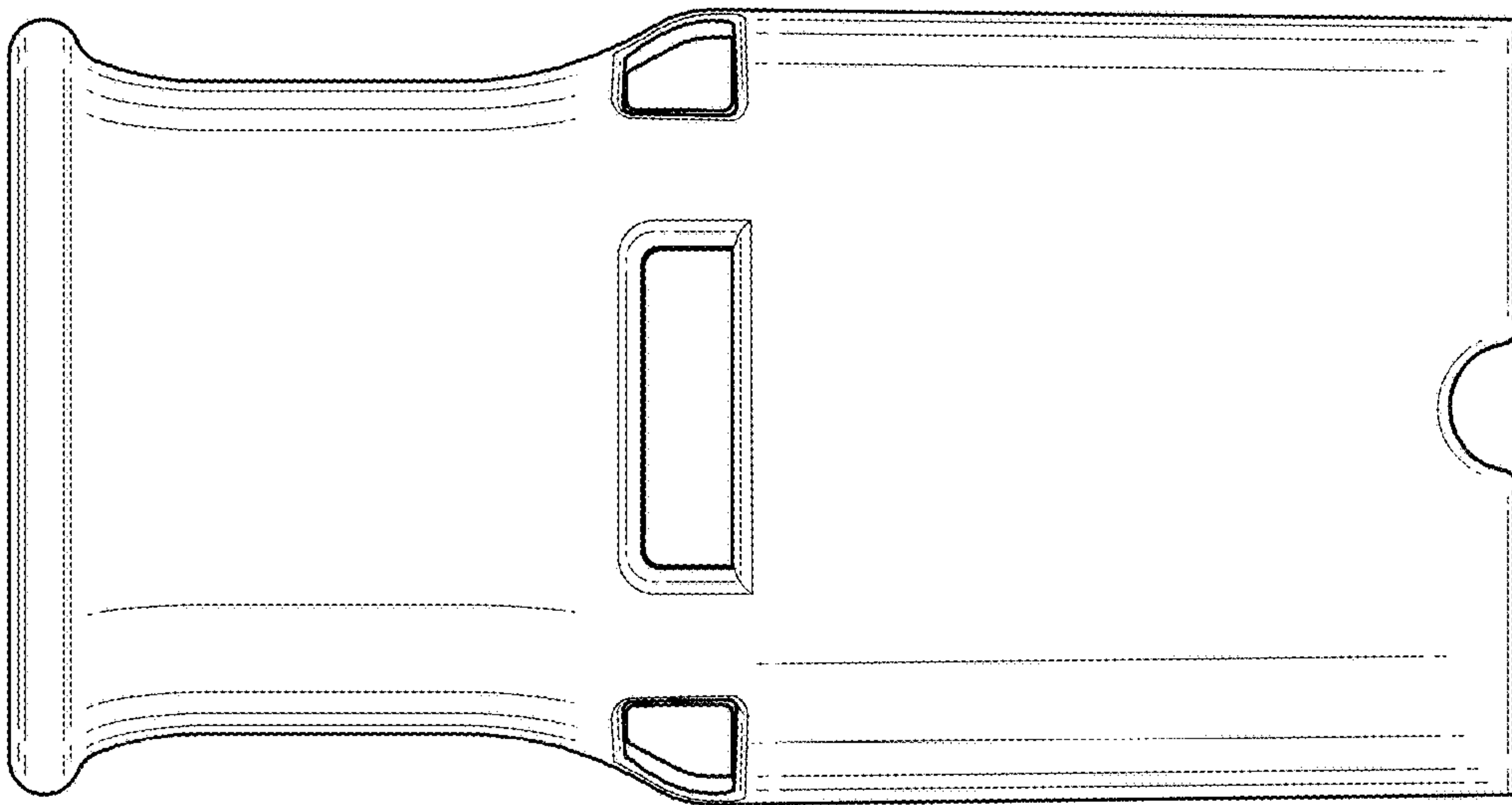


Figure 4

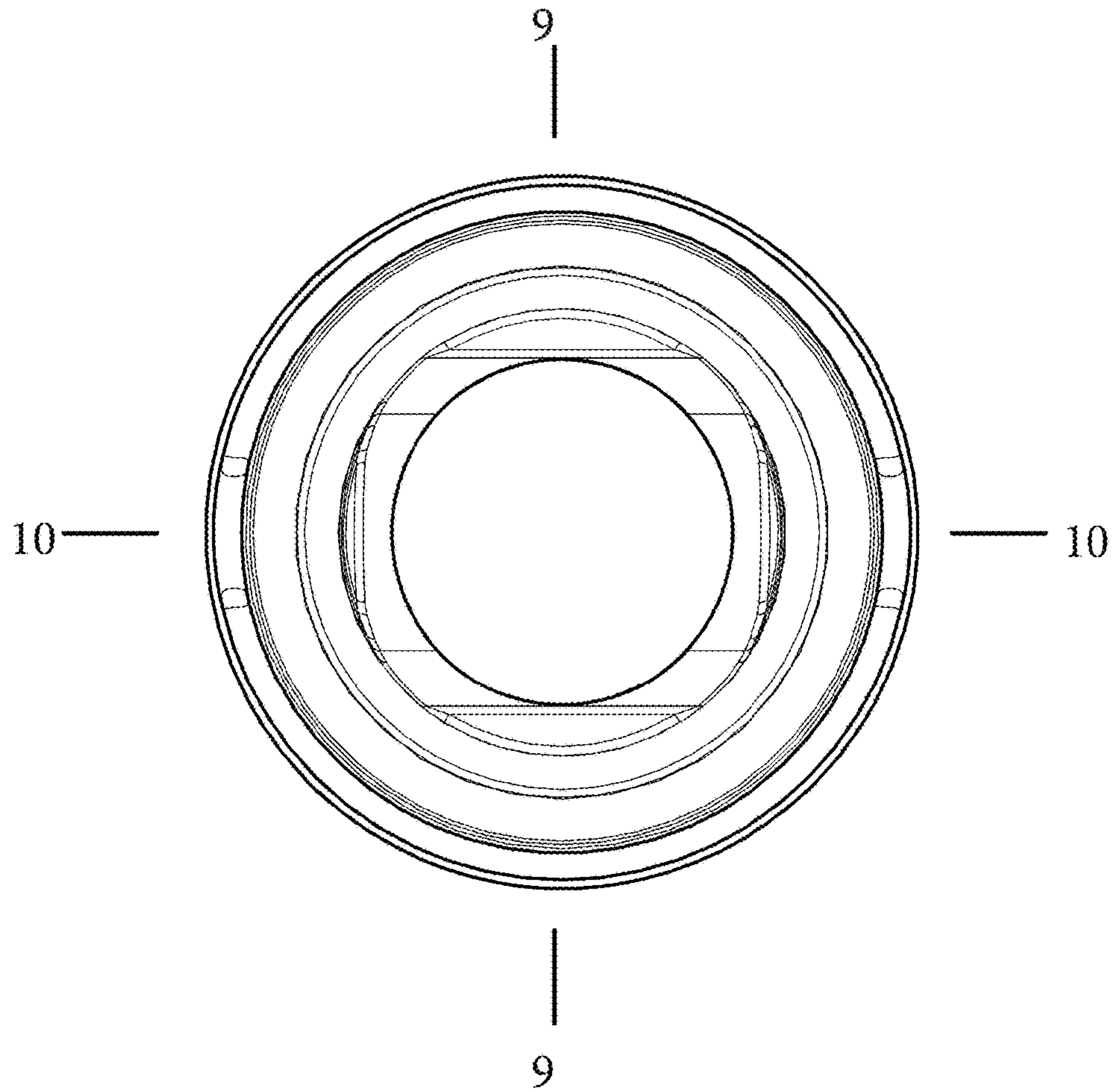


Figure 5

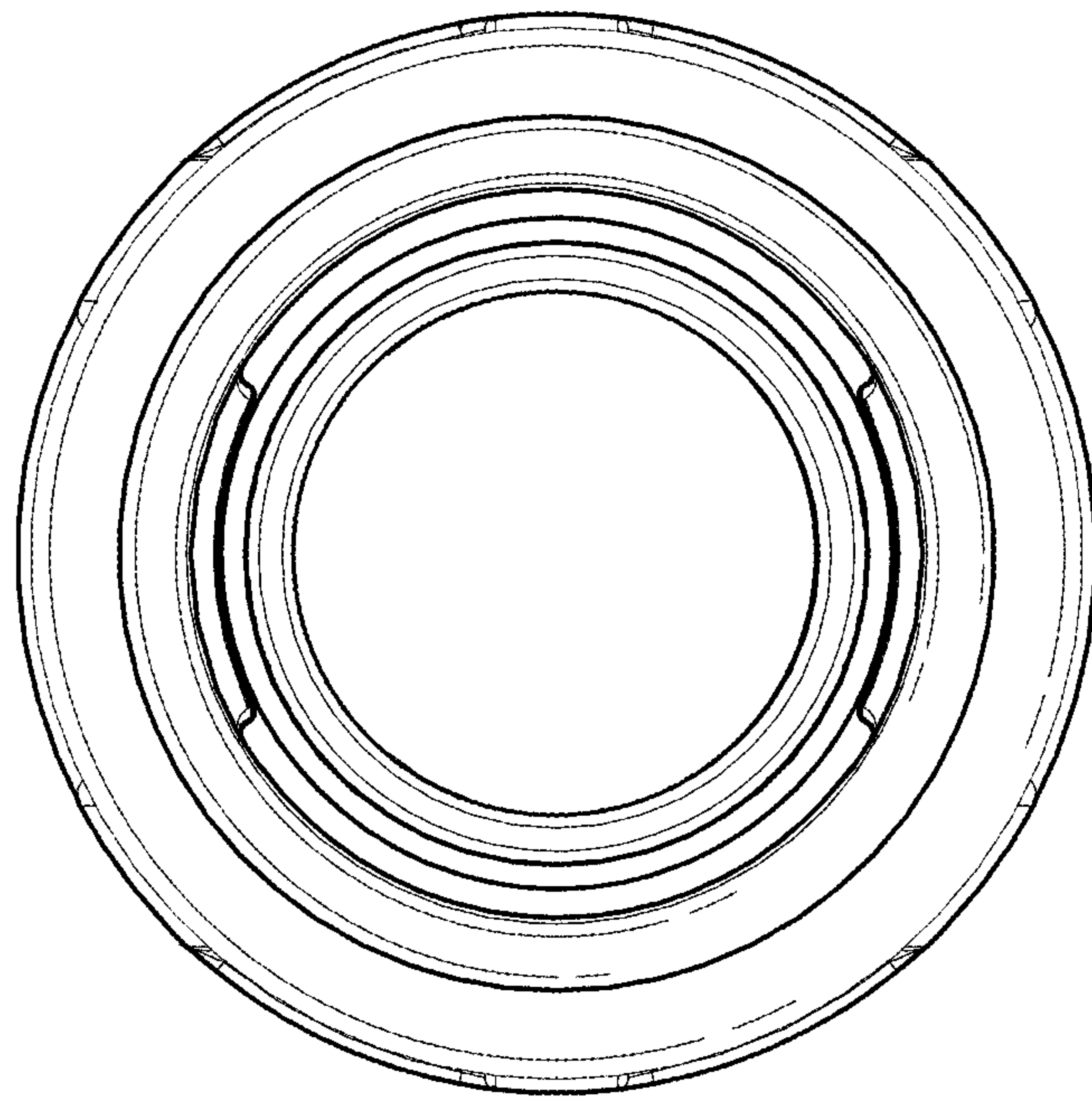


Figure 6

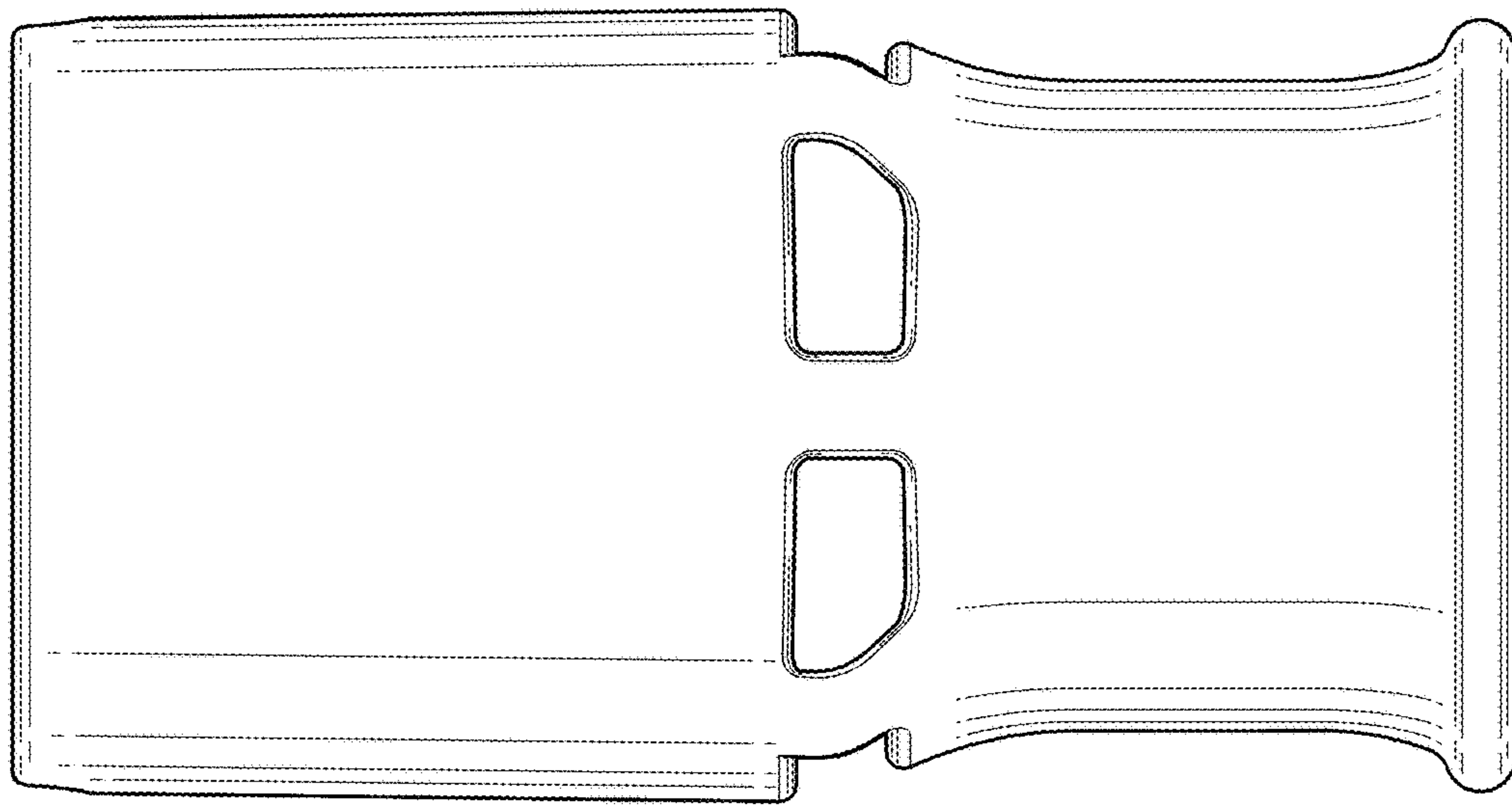


Figure 7

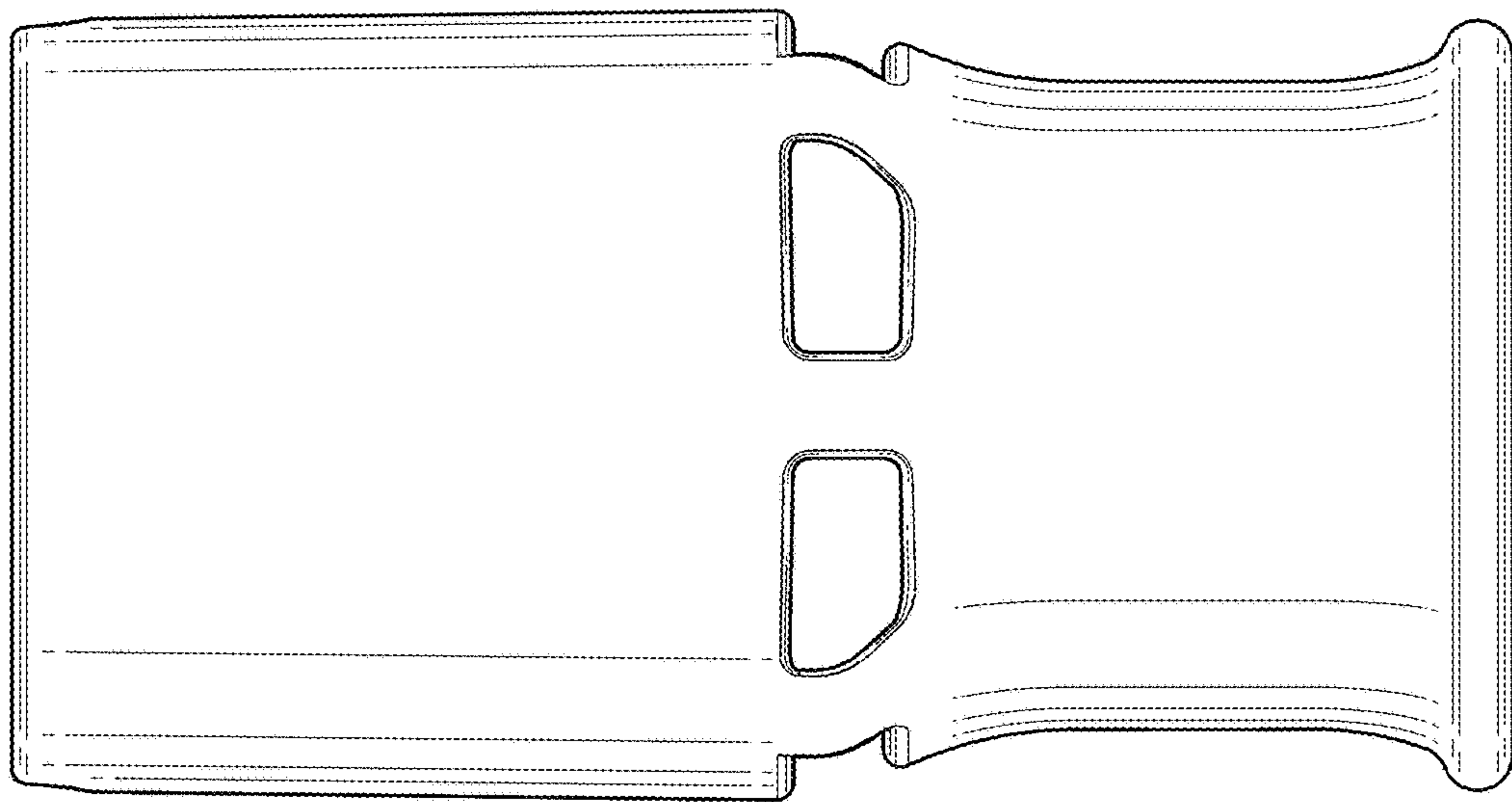


Figure 8

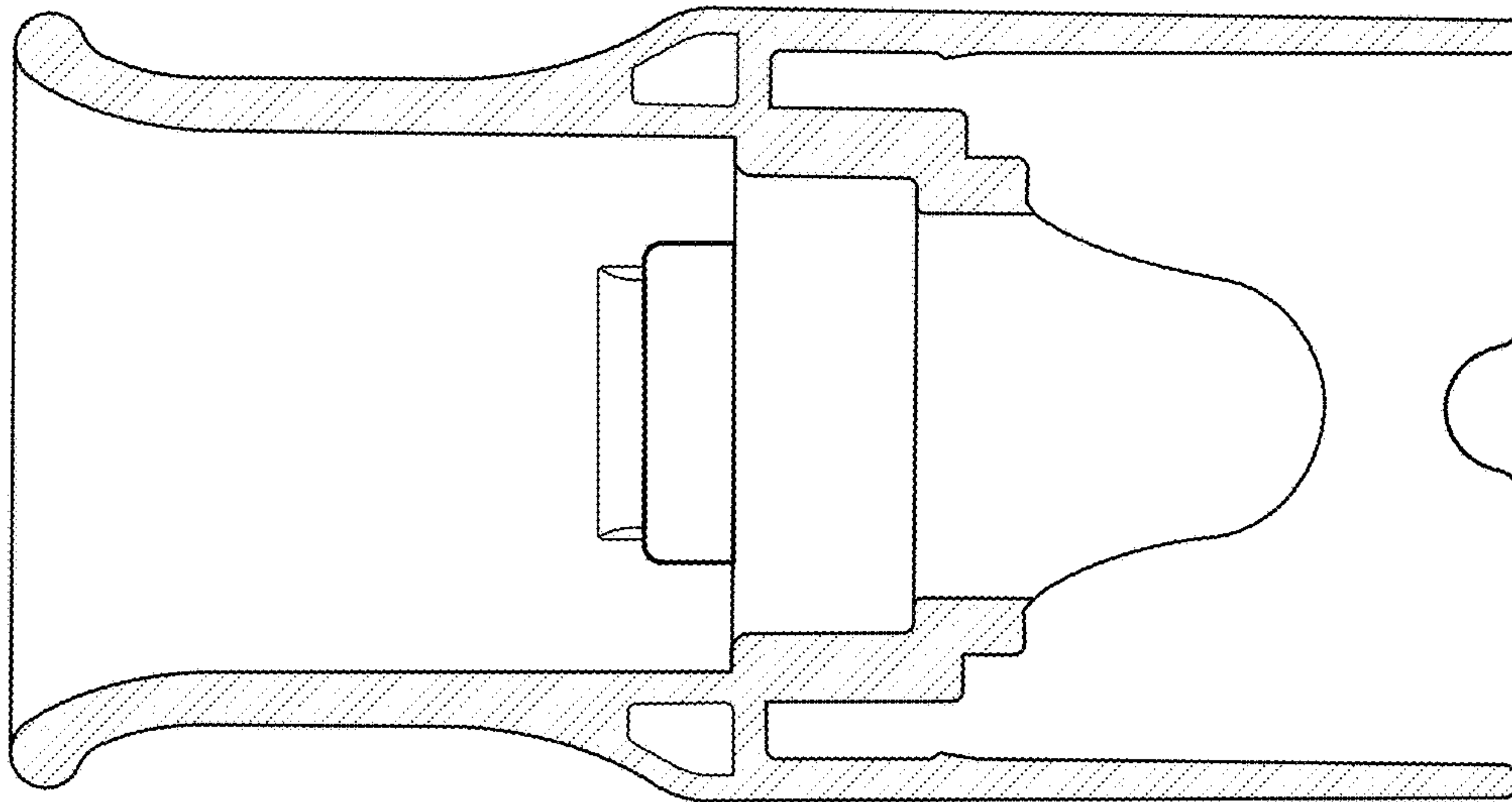


Figure 9

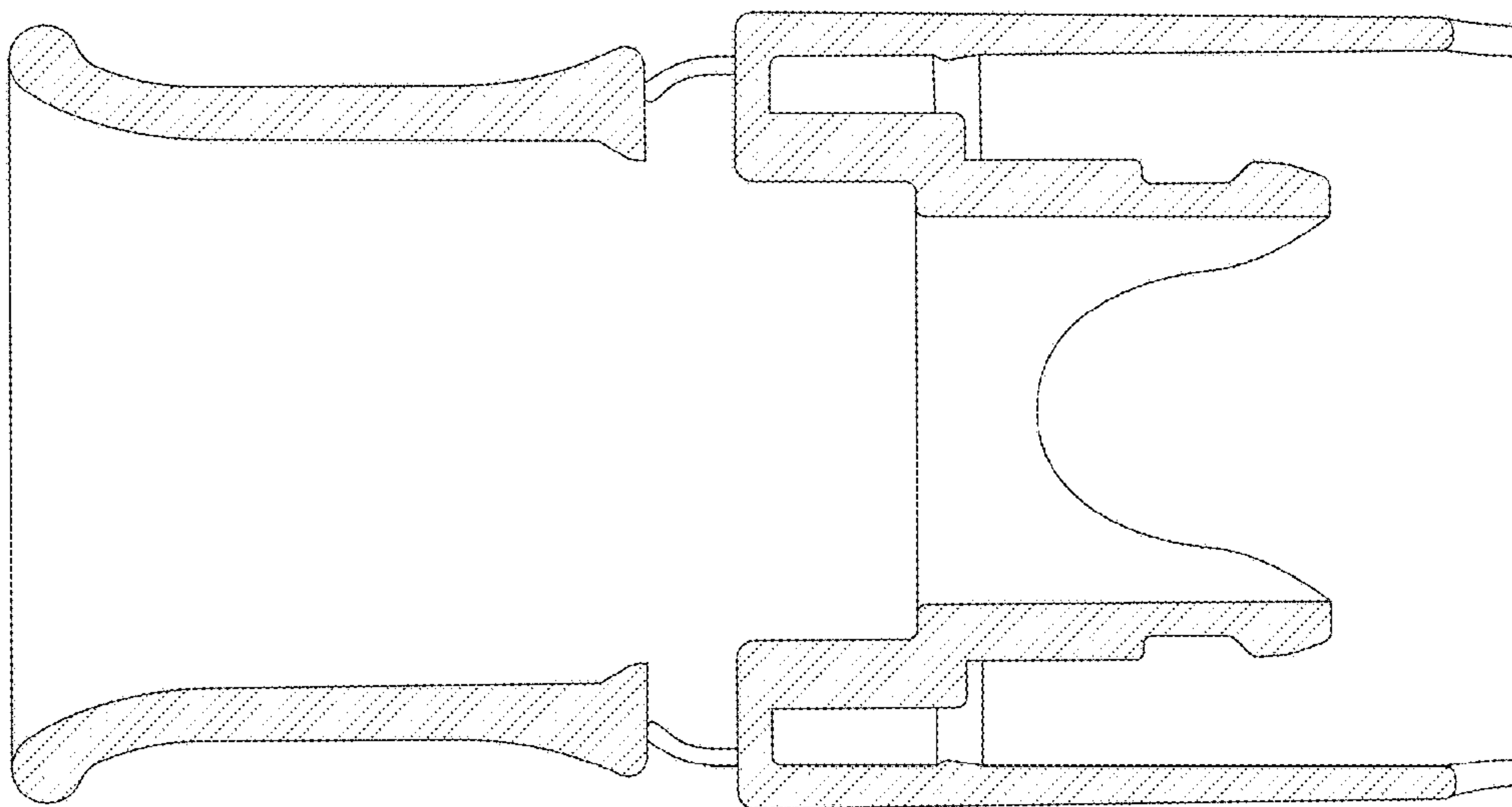


Figure 10