



US00D809655S

(12) **United States Design Patent** (10) **Patent No.:** **US D809,655 S**
Eaton et al. (45) **Date of Patent:** **** Feb. 6, 2018**

(54) **CONTAINER HOLDER FOR LIQUID DISPENSING**

(71) Applicant: **EYE DROP IMAGING TECHNOLOGY, LLC**, Fort Myers, FL (US)

(72) Inventors: **Alexander M. Eaton**, Fort Myers, FL (US); **Ruixue Liu**, Fort Myers, FL (US); **Brian Bradley**, Fort Myers, FL (US)

(73) Assignee: **EYE DROP IMAGING TECHNOLOGY, LLC**, Fort Myers, FL (US)

(**) Term: **15 Years**

(21) Appl. No.: **29/582,878**

(22) Filed: **Oct. 31, 2016**

(51) **LOC (11) Cl.** **24-02**

(52) **U.S. Cl.**
USPC **D24/128**

(58) **Field of Classification Search**
USPC D24/128-130, 172; D13/133, 153, 154, D13/156; D8/349, 354, 363
CPC F16L 23/10; A61M 25/02; A61M 2025/0098; A61F 9/0008; A61F 9/0026; E04F 11/1804; E04F 11/1808

See application file for complete search history.

(56) **References Cited**

U.S. PATENT DOCUMENTS

3,934,590 A *	1/1976	Campagna	A61F 9/0026 604/302
D242,986 S *	1/1977	Inglis	D8/363
D457,952 S *	5/2002	Sherman	D24/115
D463,550 S *	9/2002	Sherman	D24/115
D750,773 S	3/2016	Eaton et al.	
D751,702 S	3/2016	Eaton et al.	

FOREIGN PATENT DOCUMENTS

WO 2014081570 A1 5/2014

* cited by examiner

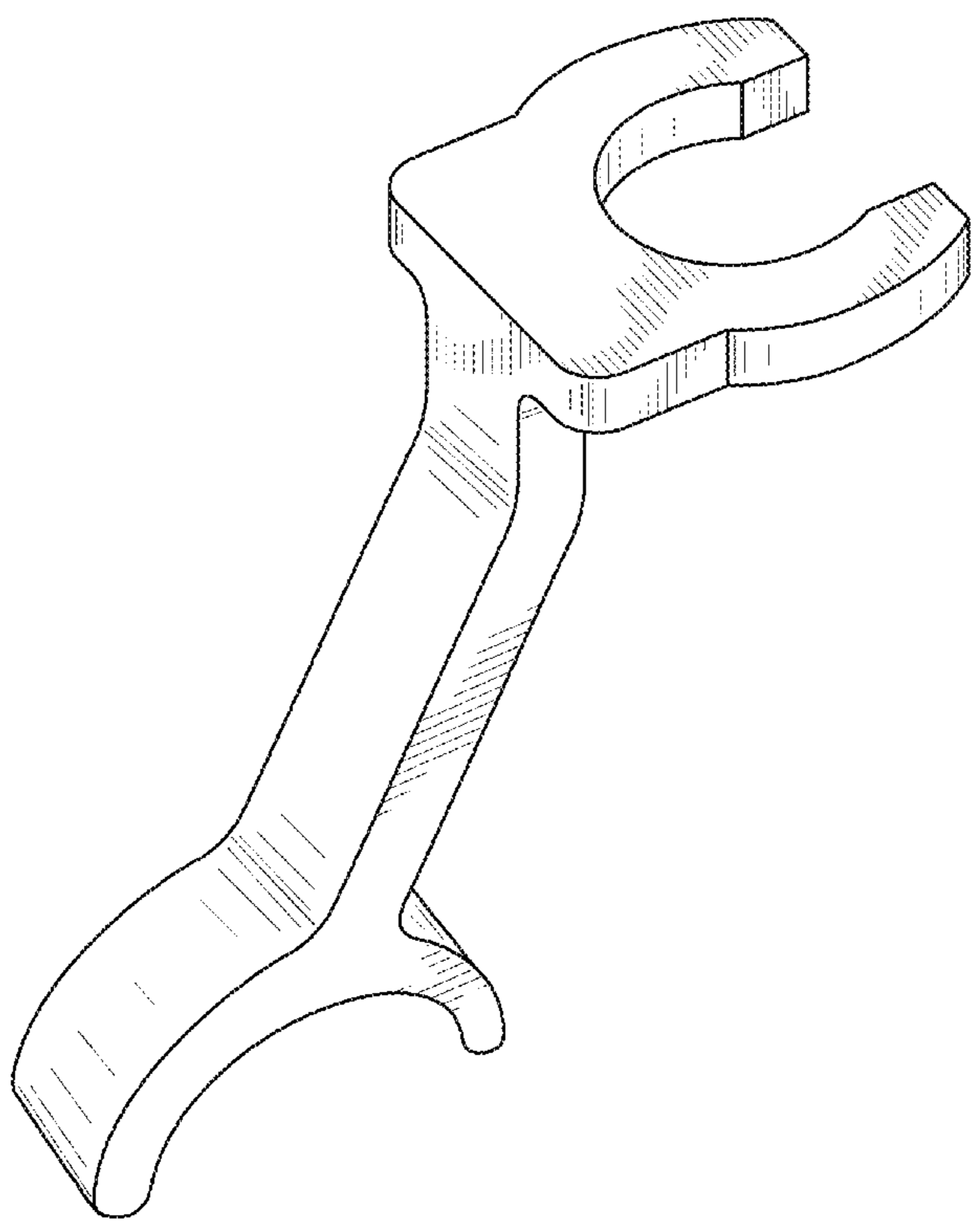
Primary Examiner — Sheryl Lane
Assistant Examiner — Calvin E Vansant
 (74) *Attorney, Agent, or Firm* — Yakov S. Sidorin; Quarles & Brady LLP

(57) **CLAIM**
 The ornamental design for a container holder for liquid dispensing, as shown and described.

DESCRIPTION

FIG. 1 is a perspective view of the design; FIG. 2 is a first elevational view thereof; FIG. 3 is a second elevational view thereof; FIG. 4 is a third elevational view thereof; FIG. 5 is a fourth elevational view thereof; FIG. 6 is a top plan view thereof; and, FIG. 7 is a bottom plan view thereof.

1 Claim, 5 Drawing Sheets



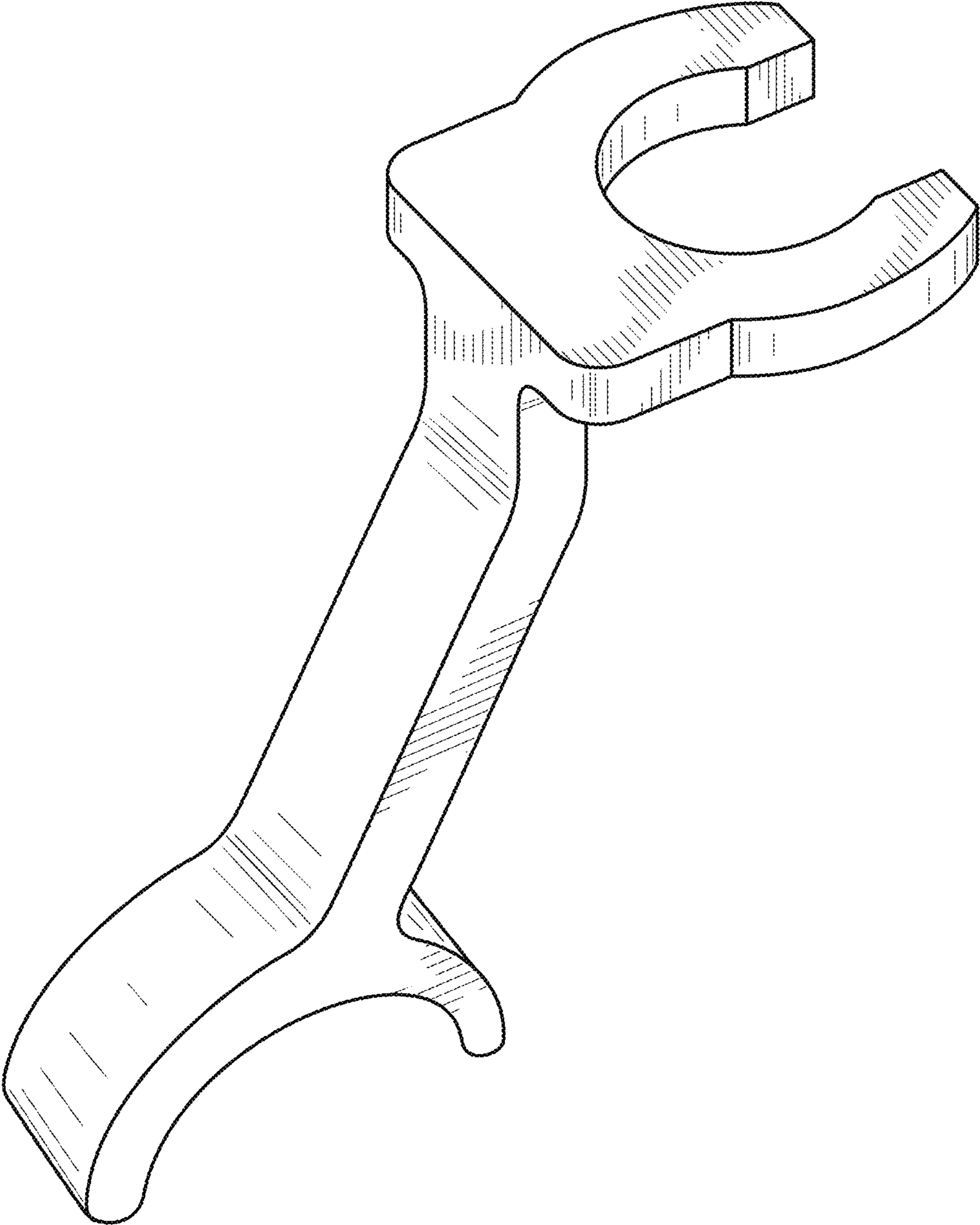


FIG. 1

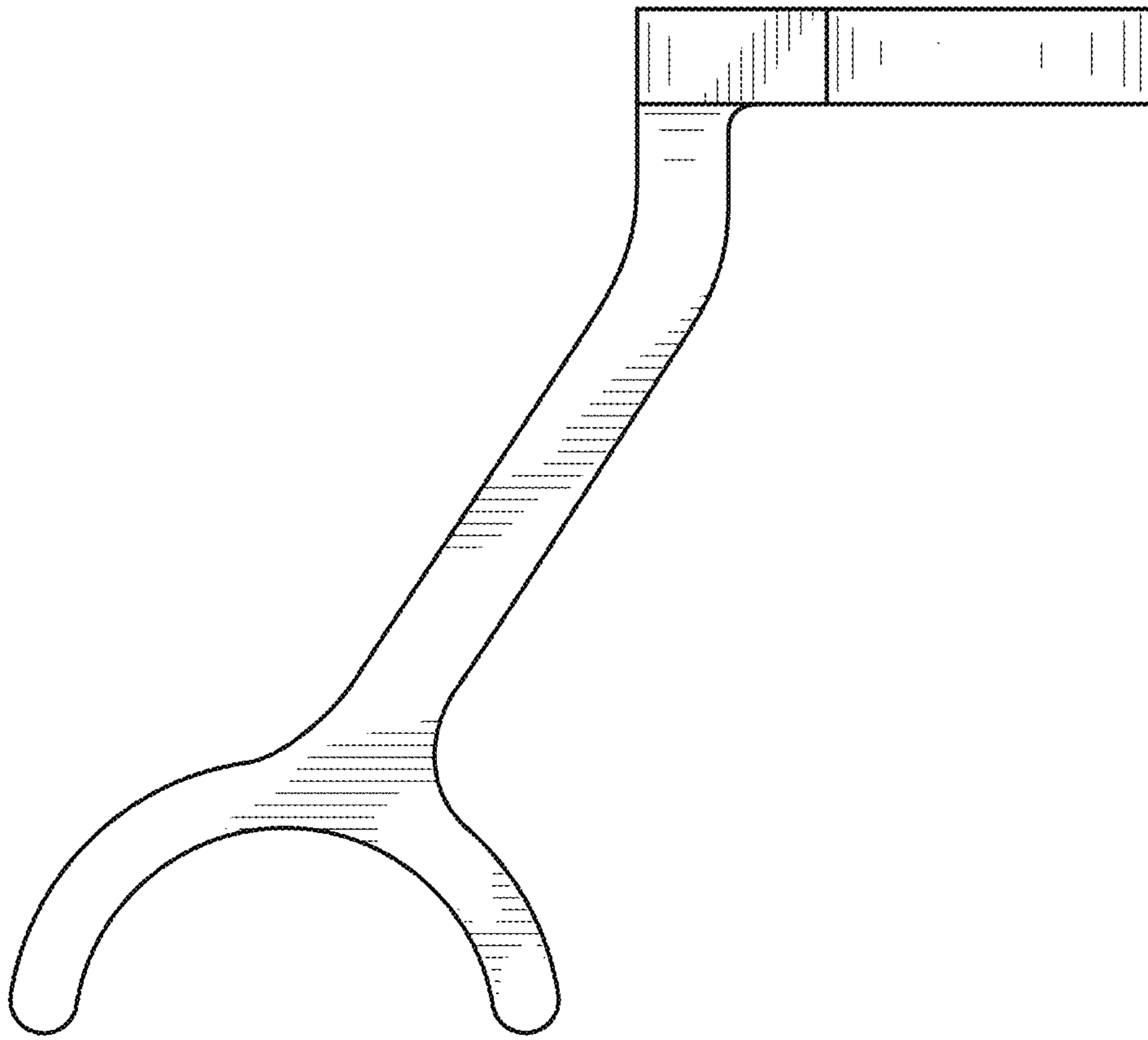


FIG. 2

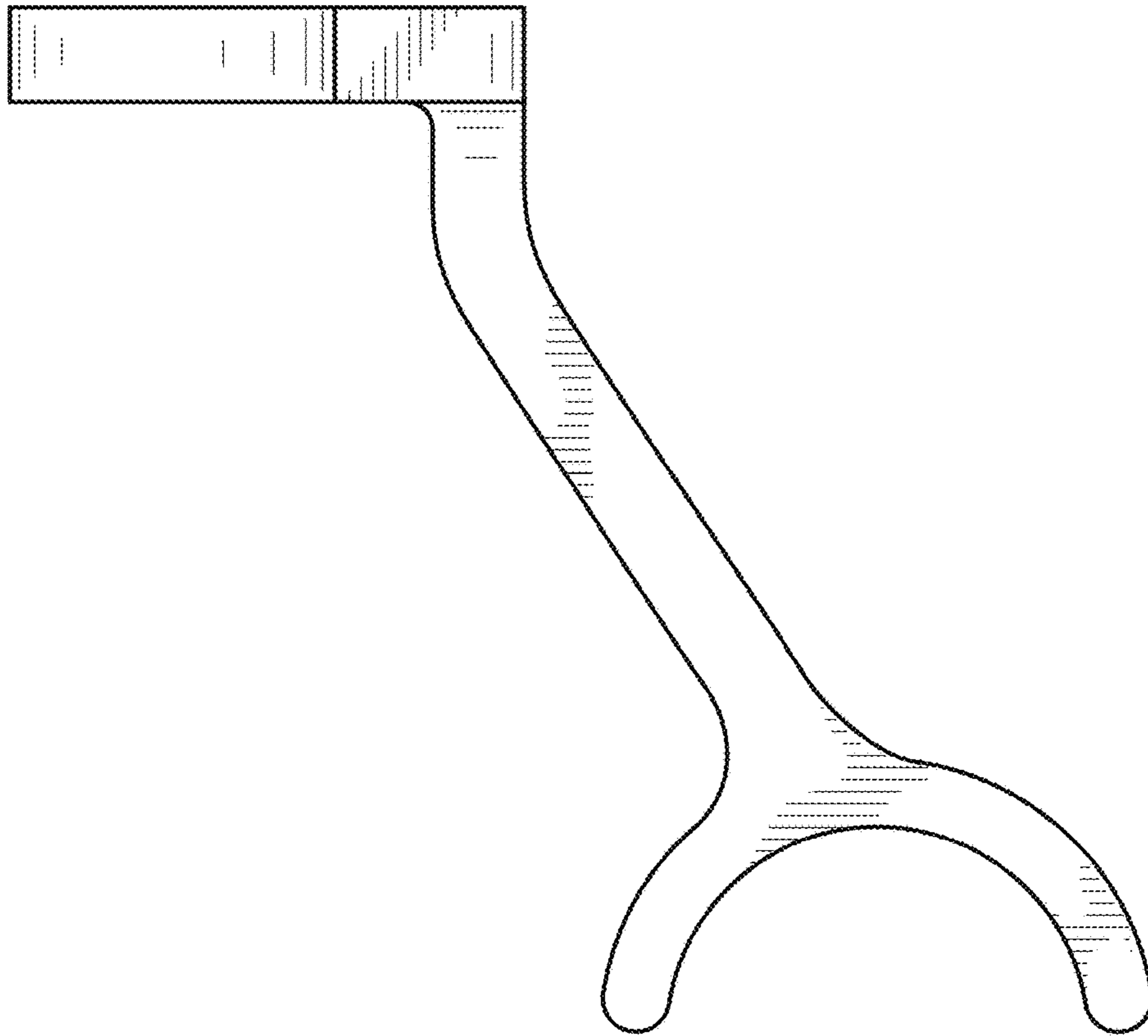


FIG. 3

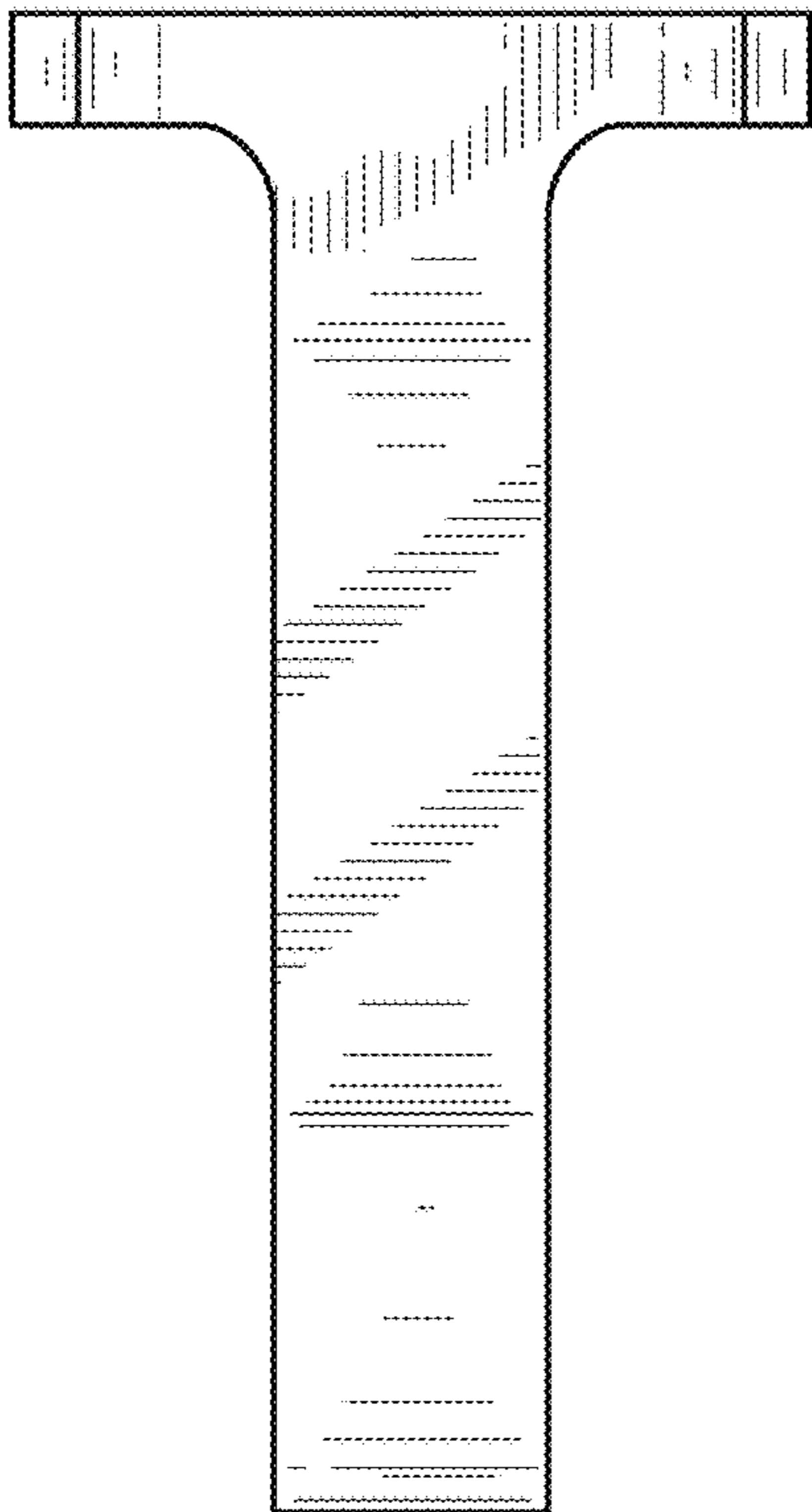


FIG. 4

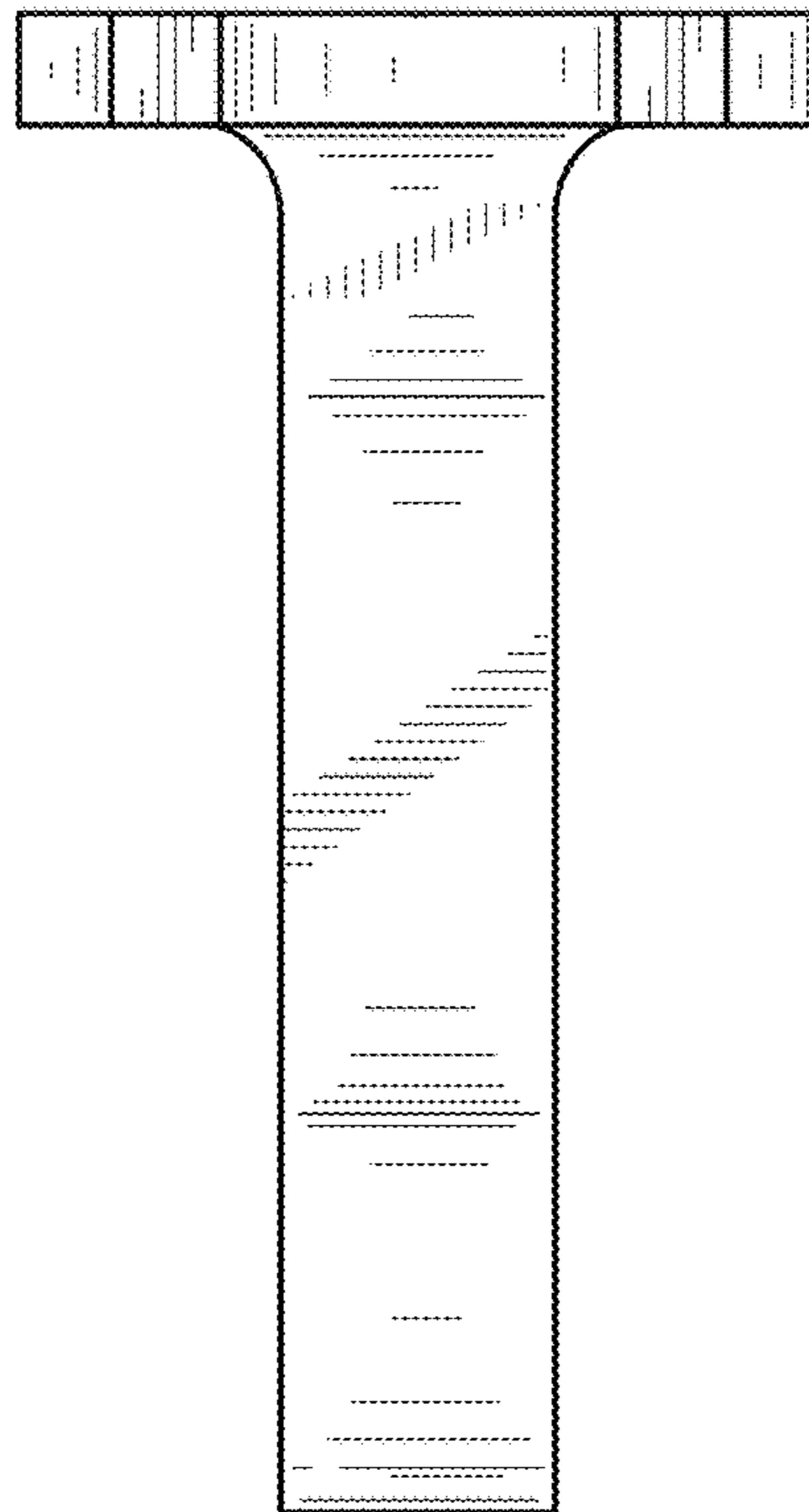


FIG. 5

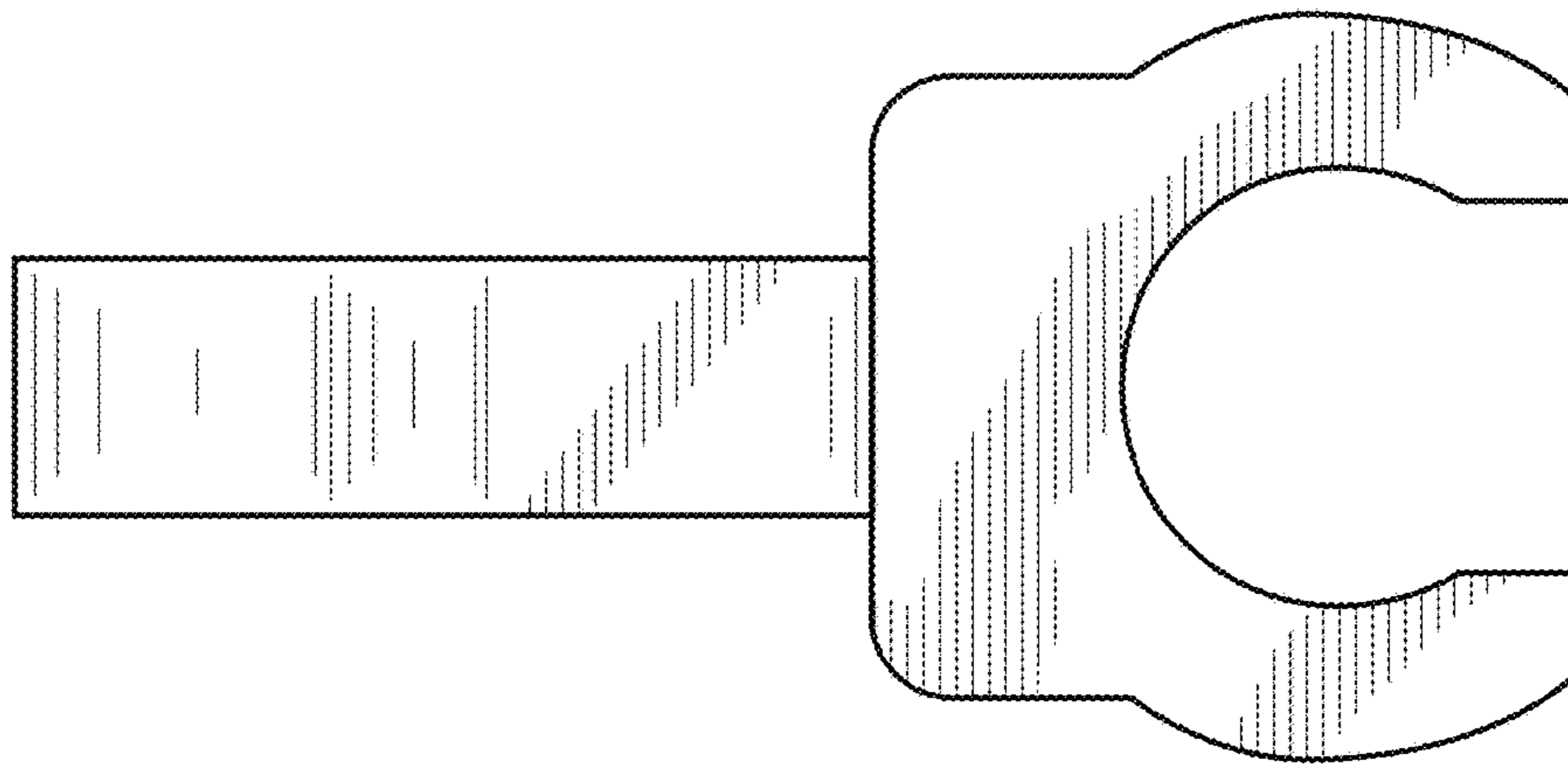


FIG. 6

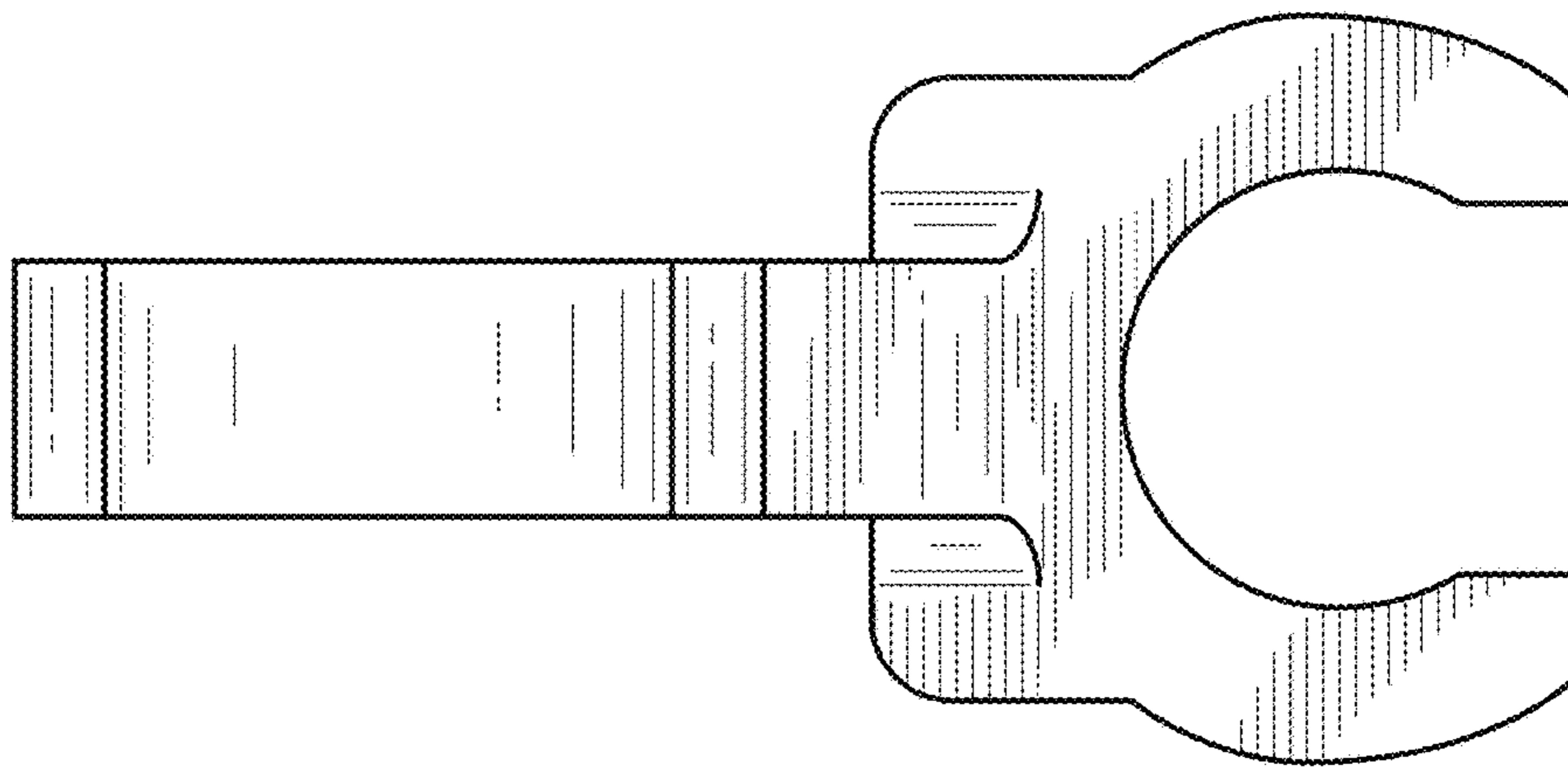


FIG. 7