



US00D809653S

(12) **United States Design Patent** (10) **Patent No.:** **US D809,653 S**
Kremer (45) **Date of Patent:** **** Feb. 6, 2018**

- | | |
|---------------------------------------------------------------------------------------------------------------------------------------------------------------------------------------------------------------------------------------------------------------------------------------------|-----------------------------------------------------------------------------------------------------------------------------------------------------------------------------------------------------------------------------------------------------------------------------------------------------------------------------------------------------------------------------------------------------------------------------------------------------------------------------------------------------------------------------|
| <p>(54) DIAPER</p> <p>(71) Applicant: The Procter & Gamble Company,
Cincinnati, OH (US)</p> <p>(72) Inventor: Veronique Marie-Josephine Kremer,
Schwalbach (DE)</p> <p>(73) Assignee: The Procter & Gamble Company,
Cincinnati, OH (US)</p> | <p>D463,549 S * 9/2002 Gannon D24/124</p> <p>D476,416 S * 6/2003 MacDonagh D24/124</p> <p>D541,932 S 5/2007 Lemaire et al.</p> <p>D561,334 S 2/2008 Martynus et al.</p> <p>D589,608 S * 3/2009 Bissah D24/124</p> <p>D607,560 S 1/2010 Buzadin et al.</p> <p>D631,958 S 2/2011 Marcelo et al.</p> <p>D648,849 S 11/2011 Houle</p> <p>D651,306 S 12/2011 Misiti et al.</p> <p>D715,923 S 10/2014 Cardin et al.</p> <p>D721,804 S 1/2015 Cutshaw et al.</p> <p>D738,493 S * 9/2015 Cardin D24/125</p> |
|---------------------------------------------------------------------------------------------------------------------------------------------------------------------------------------------------------------------------------------------------------------------------------------------|-----------------------------------------------------------------------------------------------------------------------------------------------------------------------------------------------------------------------------------------------------------------------------------------------------------------------------------------------------------------------------------------------------------------------------------------------------------------------------------------------------------------------------|

(**) Term: **15 Years**

OTHER PUBLICATIONS

(21) Appl. No.: **29/553,175**

U.S. Appl. No. 29/476,221, filed Dec. 12, 2013, Kreuzer.

(22) Filed: **Jan. 29, 2016**

* cited by examiner

(30) **Foreign Application Priority Data**

Jul. 29, 2015 (WO) 911047601

(51) **LOC (11) Cl.** **24-04**

(52) **U.S. Cl.**
USPC **D24/126**

(58) **Field of Classification Search**
USPC D24/124-126; 604/347, 348, 354,
604/358-361, 378, 385.01, 385.201,
604/385.22, 385.24, 385.25; D5/21, 25,
D5/29, 35, 37, 39, 53, 59, 60, 61
See application file for complete search history.

(56) **References Cited**

U.S. PATENT DOCUMENTS

- | | | | |
|--------------|--------|------------|---------------|
| 2,252,992 A | 8/1941 | Steiner | |
| D332,832 S | 1/1993 | Powell | |
| D345,014 S | 3/1994 | Huffman | |
| D383,207 S | 9/1997 | Cassell | |
| D461,893 S * | 8/2002 | Gannon | D24/124 |
| D463,022 S * | 9/2002 | Montgomery | D24/124 |

Primary Examiner — Thomas Johannes
Assistant Examiner — Samantha Q Lawrence
(74) *Attorney, Agent, or Firm* — Wednesday G. Shipp

(57) **CLAIM**

The ornamental design for a diaper, as shown and described.

DESCRIPTION

FIG. 1 is a perspective view of a diaper;
FIG. 2 is a bottom view thereof;
FIG. 3 is a top view thereof;
FIG. 4 is a right side view thereof;
FIG. 5 is a left side view thereof;
FIG. 6 is a front view thereof, and,
FIG. 7 is a rear side view thereof.
The broken lines shown in FIGS. 1-7 illustrate portions of the diaper that form no part of the claimed design.
The dash-dot line indicates a boundary line that forms no part of the claimed design.

1 Claim, 3 Drawing Sheets

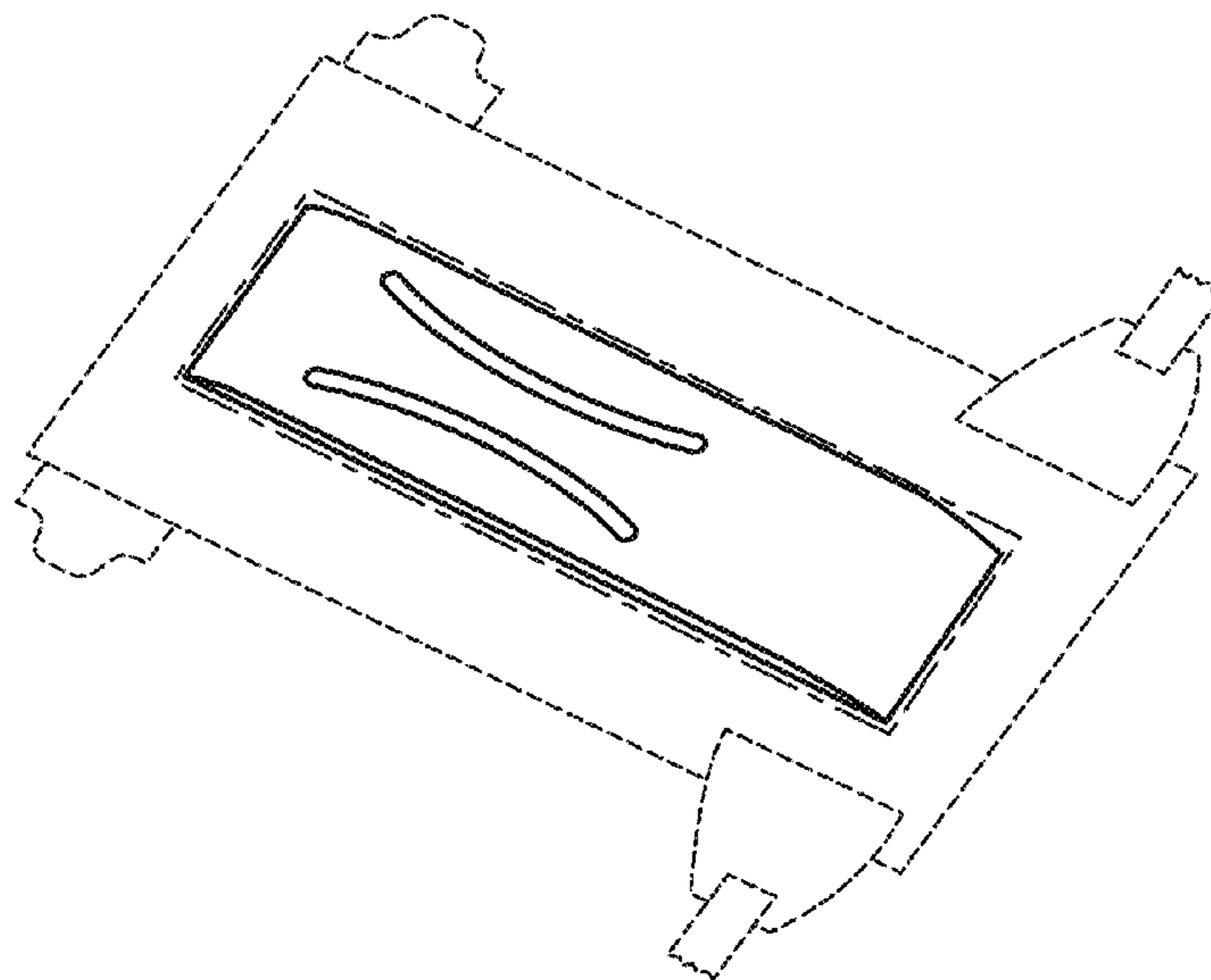


Fig. 1

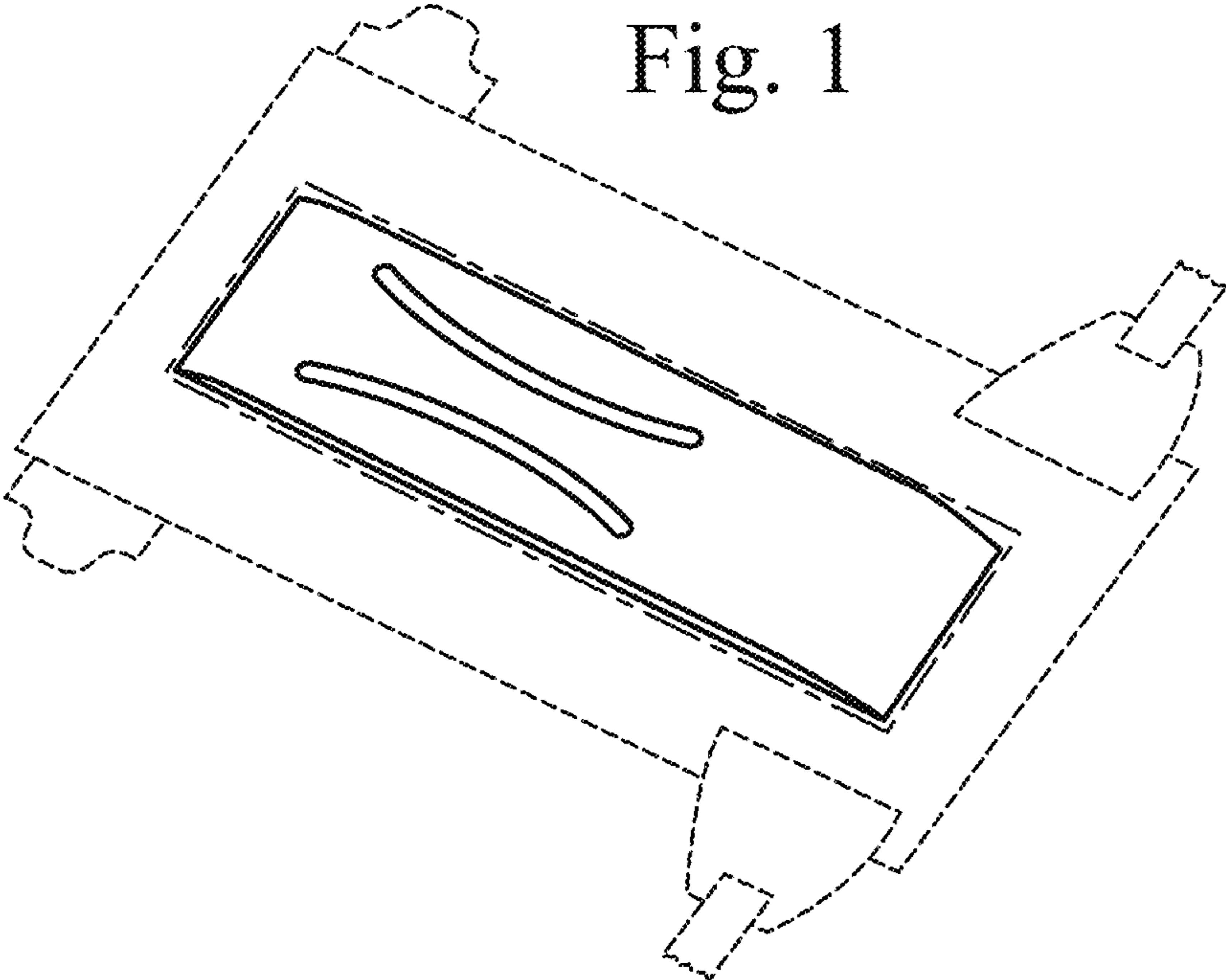
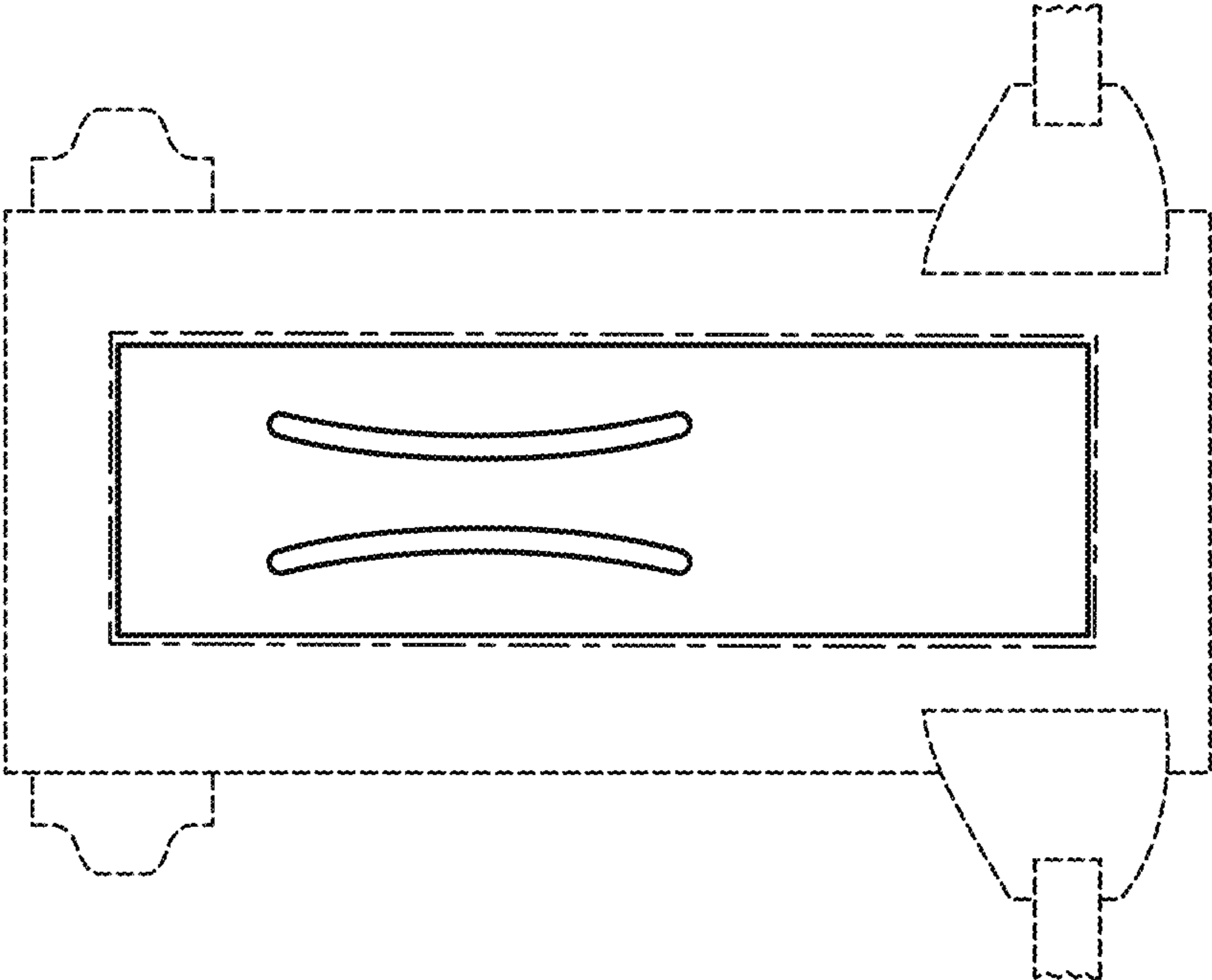


Fig. 2



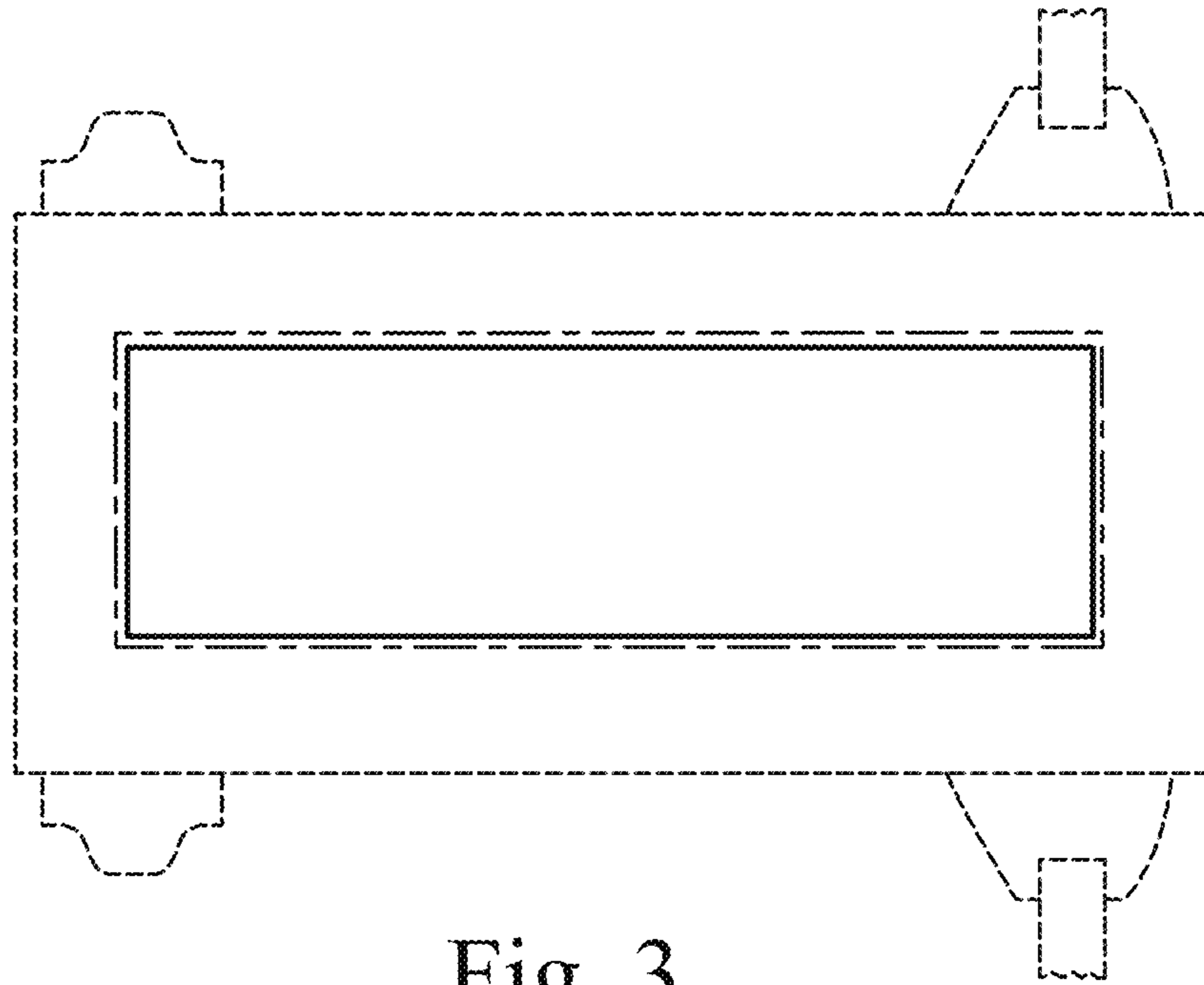


Fig. 3



Fig. 4

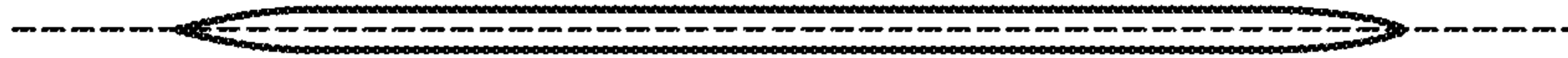


Fig. 5



Fig. 7



Fig. 6