

US00D809652S

(12) **United States Design Patent** (10) **Patent No.:** **US D809,652 S**  
**Snyder et al.** (45) **Date of Patent:** **\*\* Feb. 6, 2018**

(54) **DRUG DELIVERY DEVICE**

5/31576; A61M 2205/60; A61M 2205/584; A61M 2205/32

(71) Applicant: **Warsaw Orthopedic, Inc.**, Warsaw, IN (US)

See application file for complete search history.

(72) Inventors: **Lloyd M. Snyder**, Collierville, TN (US); **Danielle L. Clay**, Pleasant Prairie, WI (US); **Michael Lau**, San Francisco, CA (US); **Keith A. Grider**, Chicago, IL (US); **Antonio J. Belton**, Richton Park, IL (US); **Sean Corrigan**, Chicago, IL (US); **Derek J. Leatzow**, Chicago, IL (US)

(56) **References Cited**

U.S. PATENT DOCUMENTS

4,105,030	A	8/1978	Kercso	
4,451,253	A	5/1984	Harman	
5,024,655	A	6/1991	Freeman et al.	
D328,644	S *	8/1992	Pericic .....	D24/133
5,207,678	A	5/1993	Harms et al.	
5,212,162	A	5/1993	Missel et al.	
5,337,735	A *	8/1994	Salerno .....	A61B 1/2676 385/117
D353,668	S *	12/1994	Banks .....	D24/112
5,756,127	A	5/1998	Grisoni et al.	
6,203,813	B1	3/2001	Gooberman	
6,471,688	B1	10/2002	Harper et al.	
6,478,776	B1	11/2002	Rosenman et al.	

(Continued)

(73) Assignee: **Warsaw Orthopedic, Inc.**, Warsaw, IN (US)

*Primary Examiner* — David G Muller  
*Assistant Examiner* — Nathan M Johnston

(\*\*) Term: **15 Years**

(21) Appl. No.: **29/569,125**

(57) **CLAIM**

(22) Filed: **Jun. 23, 2016**

The ornamental design for a drug delivery device, as shown and described.

**Related U.S. Application Data**

(63) Continuation of application No. 14/341,026, filed on Jul. 25, 2014.

(51) **LOC (11) Cl.** ..... **24-02**

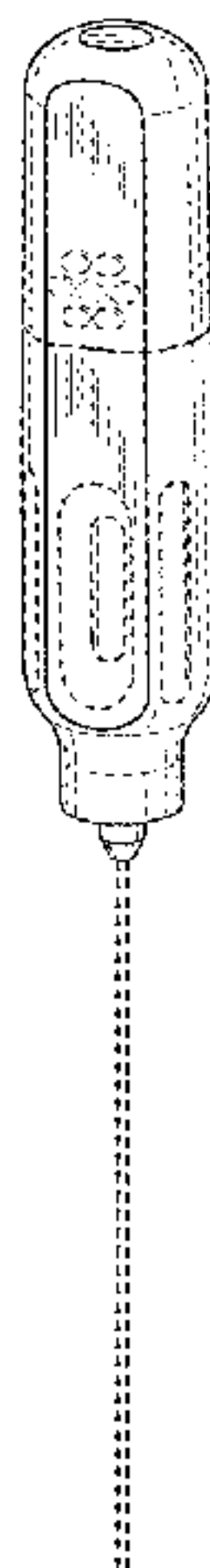
(52) **U.S. Cl.**  
USPC ..... **D24/112**

(58) **Field of Classification Search**  
USPC ..... D24/112-114, 133, 186, 127-131;  
606/181, 185; 604/264, 272, 115, 232,  
604/187, 158, 164.08, 192, 263, 163, 181,  
604/184, 198, 227; 600/101, 139, 143;  
128/200.24, 207.14, 207.15  
CPC ..... A61M 37/0069; A61M 5/31511; A61M

**DESCRIPTION**

FIG. 1 is a perspective view of a drug delivery device; FIG. 2 is a front elevational view thereof; FIG. 3 is a rear elevational view thereof; FIG. 4 is a left side elevational view thereof; FIG. 5 is a right side elevational view thereof; FIG. 6 is a perspective view of the drug delivery device shown in an open configuration; FIG. 7 is a front view thereof; FIG. 8 is a rear elevational view thereof; FIG. 9 is a left side elevational view thereof; FIG. 10 is a right side elevational view thereof; FIG. 11 is a top plan view thereof; and, FIG. 12 is a bottom plan view thereof.

(Continued)



The broken line showing of parts of the drawings is included for the purpose of illustrating use and environment and forms no part of the claimed design.

**1 Claim, 7 Drawing Sheets**

(56)

**References Cited**

U.S. PATENT DOCUMENTS

6,530,934	B1	3/2003	Jacobsen et al.	
6,735,475	B1	5/2004	Whitehurst et al.	
6,971,998	B2	12/2005	Rosenman et al.	
7,001,892	B1	2/2006	Chmielewski et al.	
7,252,651	B2	8/2007	Haider et al.	
D606,190	S *	12/2009	Pruitt .....	D24/113
D616,095	S *	5/2010	Kim .....	D24/133
D624,653	S *	9/2010	Boillat .....	D24/133
D630,733	S *	1/2011	Ahlgren .....	D24/130
D711,542	S *	8/2014	Pierson .....	D24/176
D782,037	S *	3/2017	Osypka .....	D24/130
2001/0043915	A1	11/2001	Frey	
2004/0015133	A1	1/2004	Karim	
2004/0064193	A1	4/2004	Evans et al.	

2004/0111118	A1	6/2004	Hill et al.	
2004/0162574	A1 *	8/2004	Viola .....	A61M 37/0076 606/185
2004/0220545	A1	11/2004	Heruth et al.	
2004/0220546	A1	11/2004	Heruth et al.	
2004/0220547	A1	11/2004	Heruth et al.	
2004/0220548	A1	11/2004	Heruth et al.	
2005/0070843	A1	3/2005	Gonzales	
2005/0074481	A1	4/2005	Brekke et al.	
2005/0137579	A1	6/2005	Heruth et al.	
2005/0152949	A1	7/2005	Hotchkiss et al.	
2005/0177118	A1	8/2005	Hoganson et al.	
2005/0245906	A1	11/2005	Makower et al.	
2005/0249775	A1	11/2005	Falotico et al.	
2006/0046961	A1	3/2006	McKay et al.	
2006/0253100	A1	11/2006	Burright et al.	
2006/0264839	A1	11/2006	Veasey et al.	
2007/0055378	A1	3/2007	Ankney et al.	
2007/0219564	A1	9/2007	Rue et al.	
2008/0215001	A1 *	9/2008	Cowe .....	A61M 5/326 604/110
2008/0228193	A1	9/2008	Matityahu	
2011/0202011	A1 *	8/2011	Wozencroft .....	A61M 5/2033 604/192
2016/0022975	A1 *	1/2016	Clay .....	A61M 5/31511 604/506

\* cited by examiner

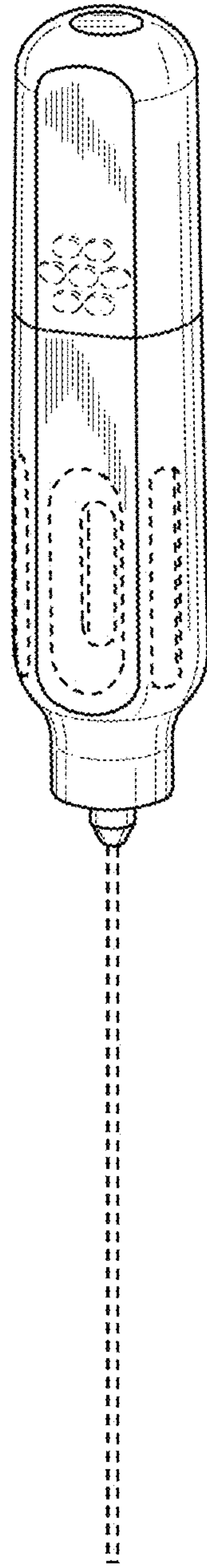


FIG. 1

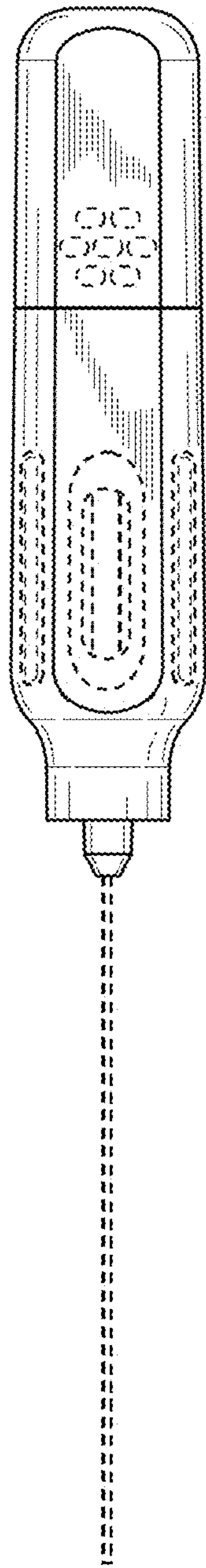


FIG. 2

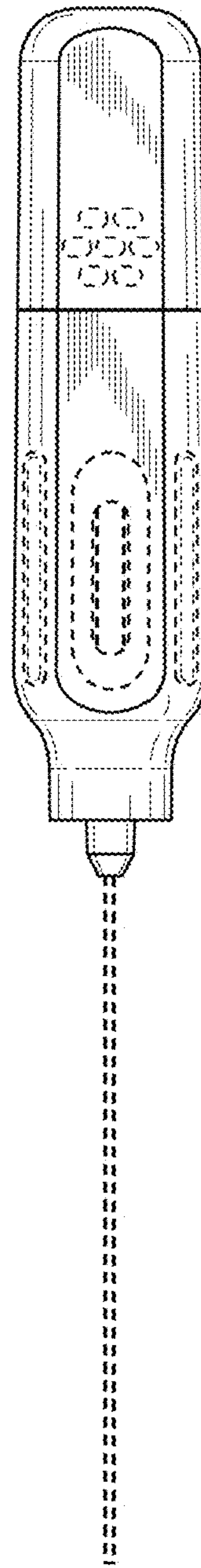


FIG. 3

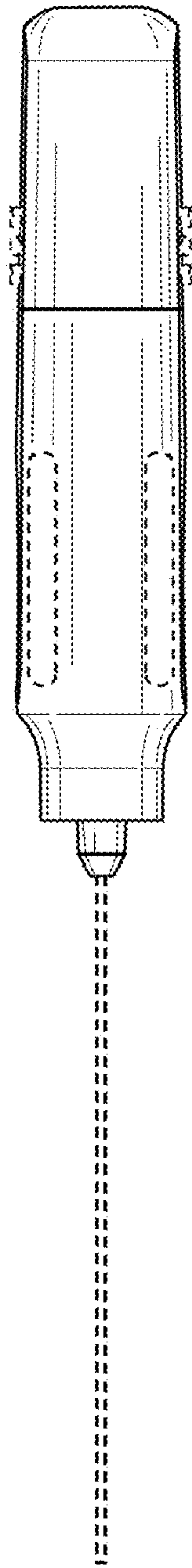


FIG. 4

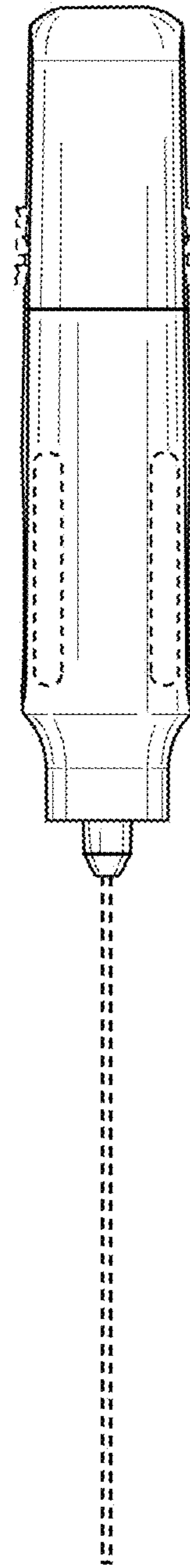


FIG. 5



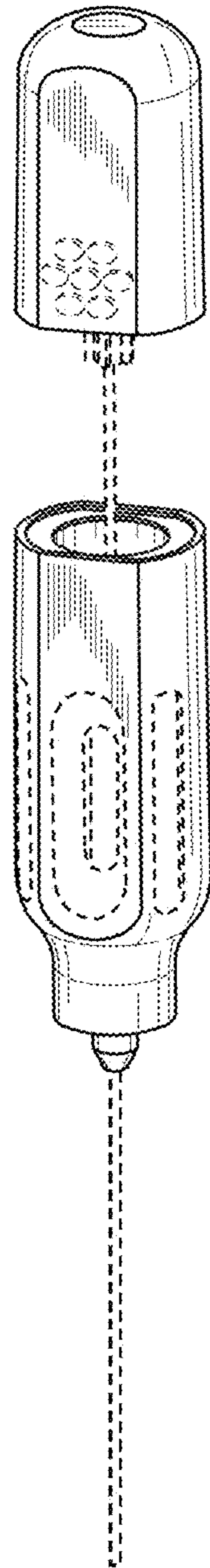


FIG. 6

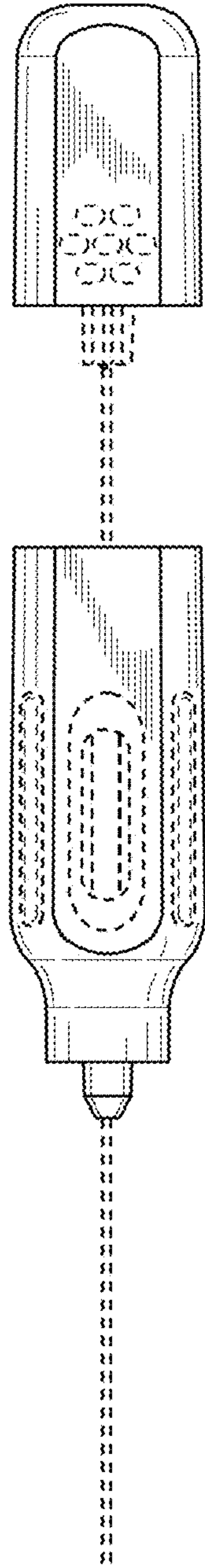


FIG. 7

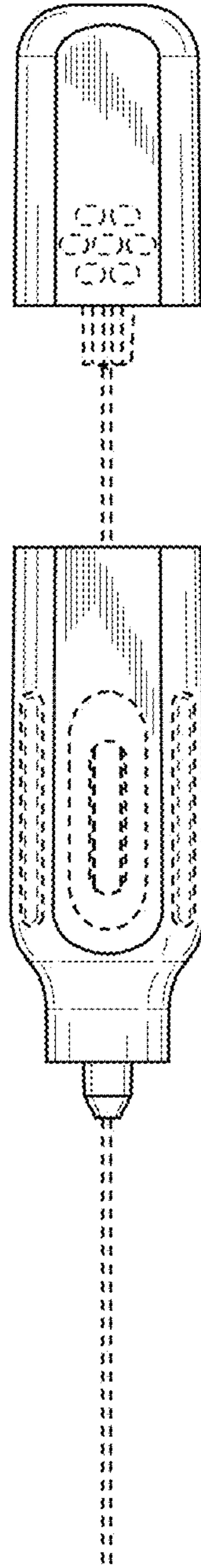


FIG. 8

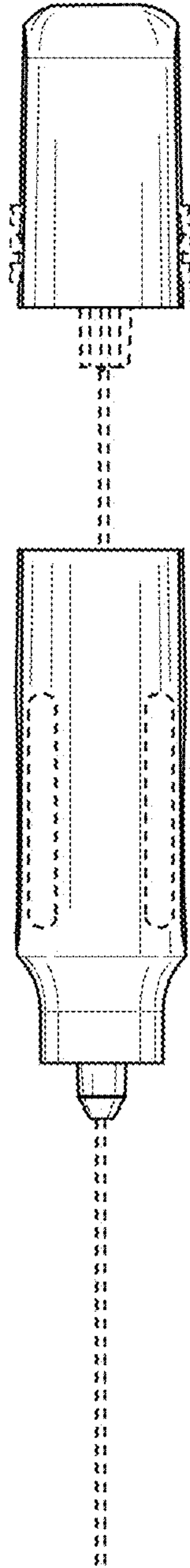


FIG. 9

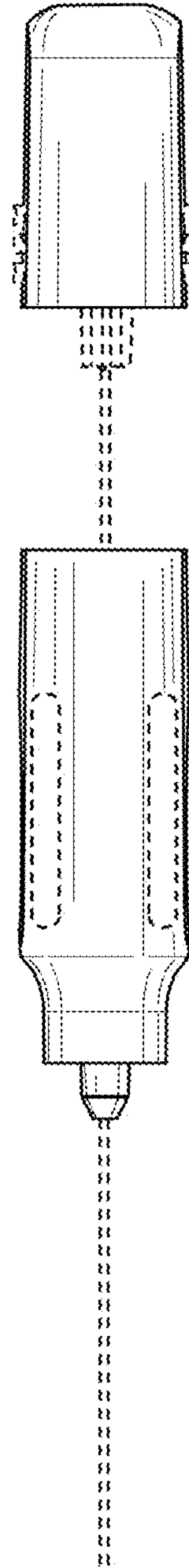


FIG. 10



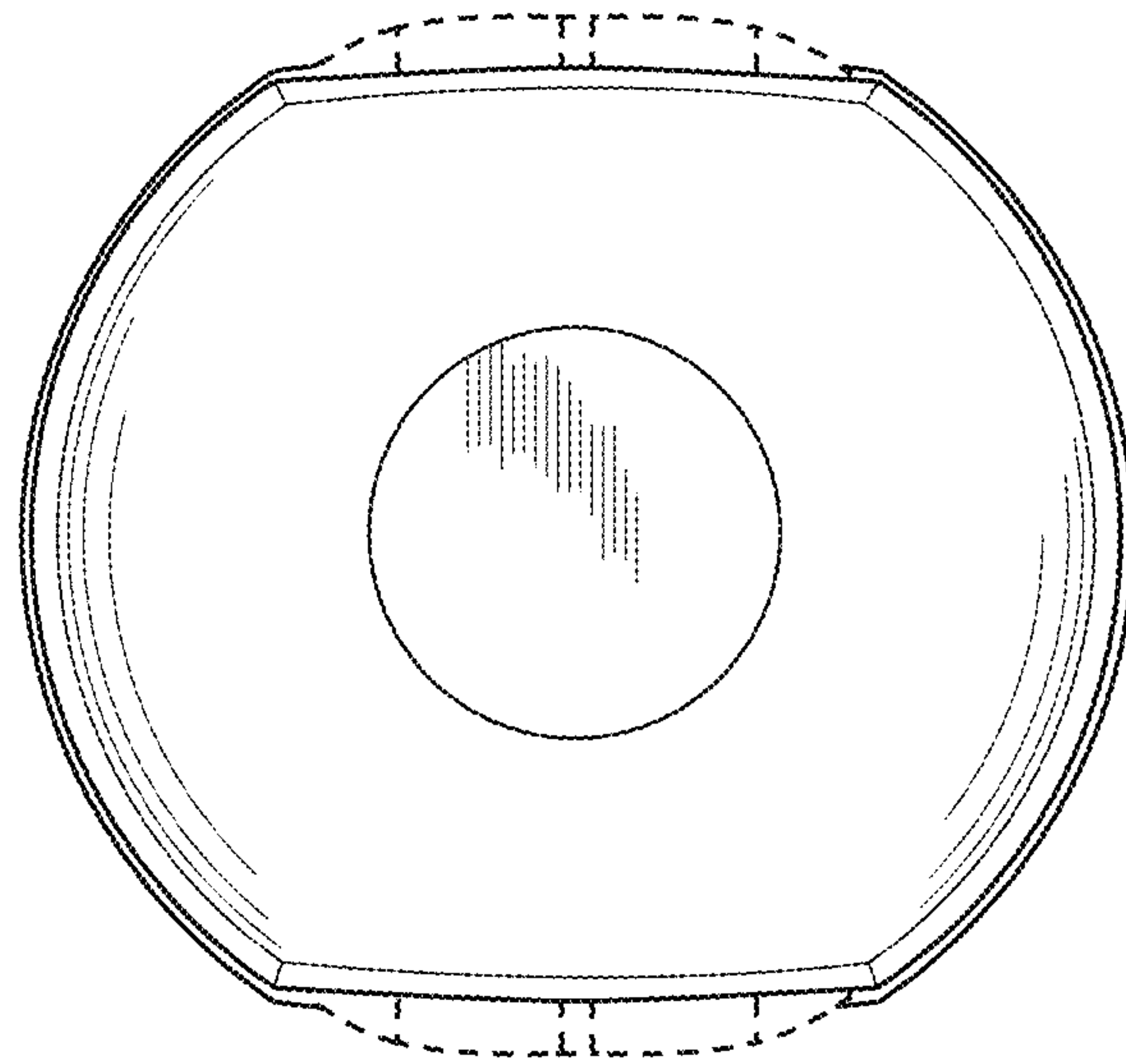


FIG. 11

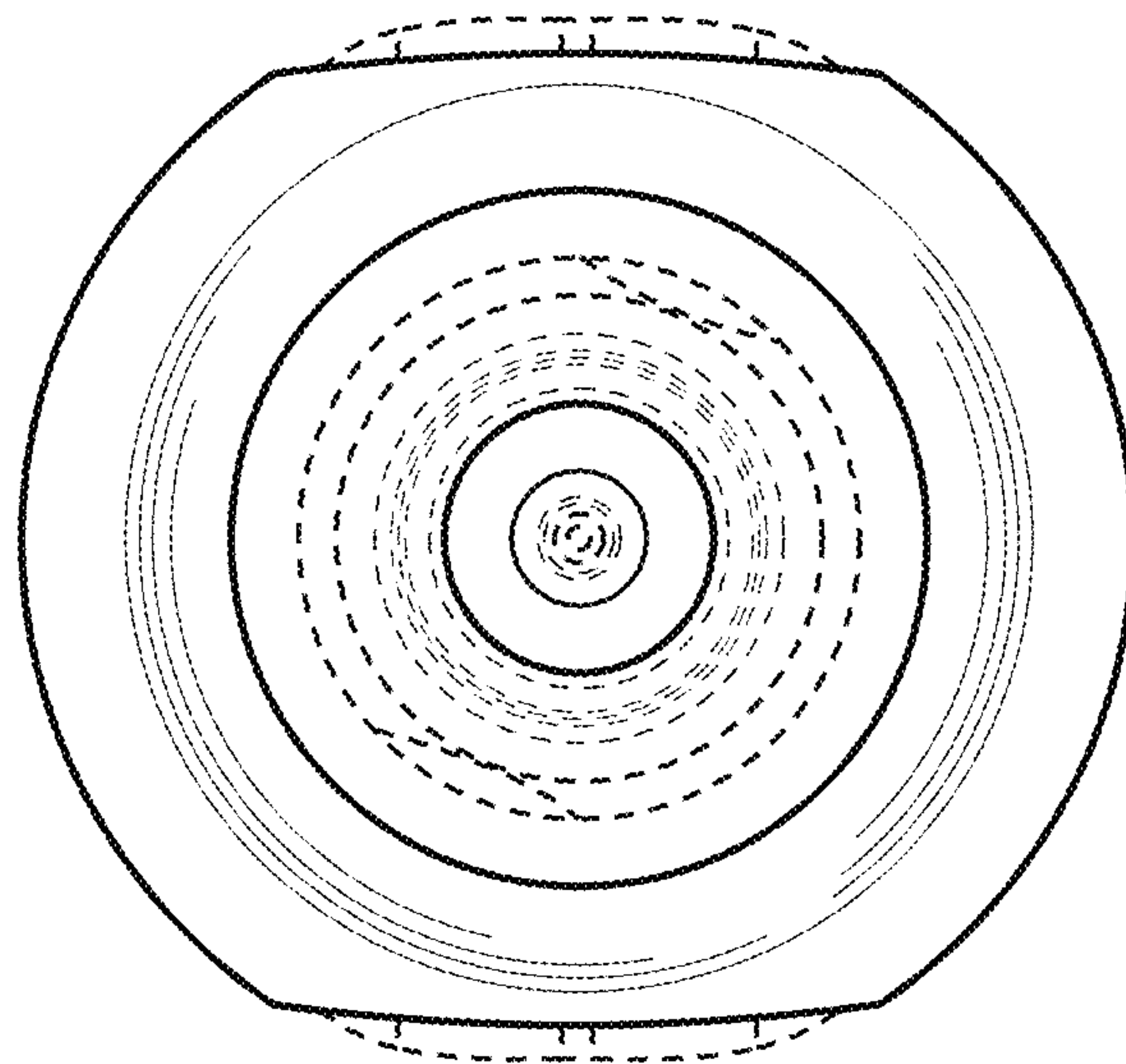


FIG. 12