



US00D809651S

(12) **United States Design Patent** (10) **Patent No.:** **US D809,651 S**  
**Au et al.** (45) **Date of Patent:** **\*\* Feb. 6, 2018**

(54) **COMBINATION BASE AND RESERVOIR FOR AN ORAL IRRIGATOR**

1,480,310 A 1/1924 Smith  
1,498,267 A 6/1924 Hachman  
1,650,686 A 11/1927 Binks  
1,669,889 A 5/1928 Andrews et al.  
1,681,320 A 8/1928 Bergl et al.  
(Continued)

(71) Applicant: **WATER PIK, INC.**, Fort Collins, CO (US)

(72) Inventors: **Heman Au**, Seattle, WA (US); **Jeffrey Ladwig**, Seattle, WA (US)

(73) Assignee: **Water Pik, Inc.**, Fort Collins, CO (US)

(\*\*) Term: **15 Years**

(21) Appl. No.: **29/571,571**

(22) Filed: **Jul. 19, 2016**

(51) **LOC (11) Cl.** ..... **24-02**

(52) **U.S. Cl.**  
USPC ..... **D24/111**

(58) **Field of Classification Search**  
USPC ..... D24/108, 111-113, 133, 152, 176, 121, D24/127; D4/101, 138; D23/356, 359, D23/360, 386, 301, 309, 313; D9/432, D9/414; D3/203.1, 201, 200, 203.6; D11/143, 149, 152, 153, 155, 156; D6/534, 542-545; D7/601, 602, 612, D7/613, 306, 309  
CPC ..... A61C 17/0205; A61C 17/0202; A61C 17/224; A61C 17/20; A61C 17/005; A61C 17/028; A61C 17/02; A61C 17/36; A61C 17/00; A61C 17/0211; A61C 17/0214; A61C 17/28; A61C 17/043; A61C 17/22; A61C 17/222; A61C 17/225  
See application file for complete search history.

(56) **References Cited**

**U.S. PATENT DOCUMENTS**

555,588 A 3/1896 Spencer  
1,278,225 A 9/1918 Schamberg  
1,452,258 A 4/1923 Smith  
1,464,419 A 8/1923 Gill

**FOREIGN PATENT DOCUMENTS**

CA 851479 9/1970  
CH 655237 4/1986  
(Continued)

**OTHER PUBLICATIONS**

US RE27,274, 01/1972, Mattingly (withdrawn)  
(Continued)

*Primary Examiner* — Barbara Fox  
*Assistant Examiner* — Lilyana Bekic  
(74) *Attorney, Agent, or Firm* — Dorsey & Whitney LLP

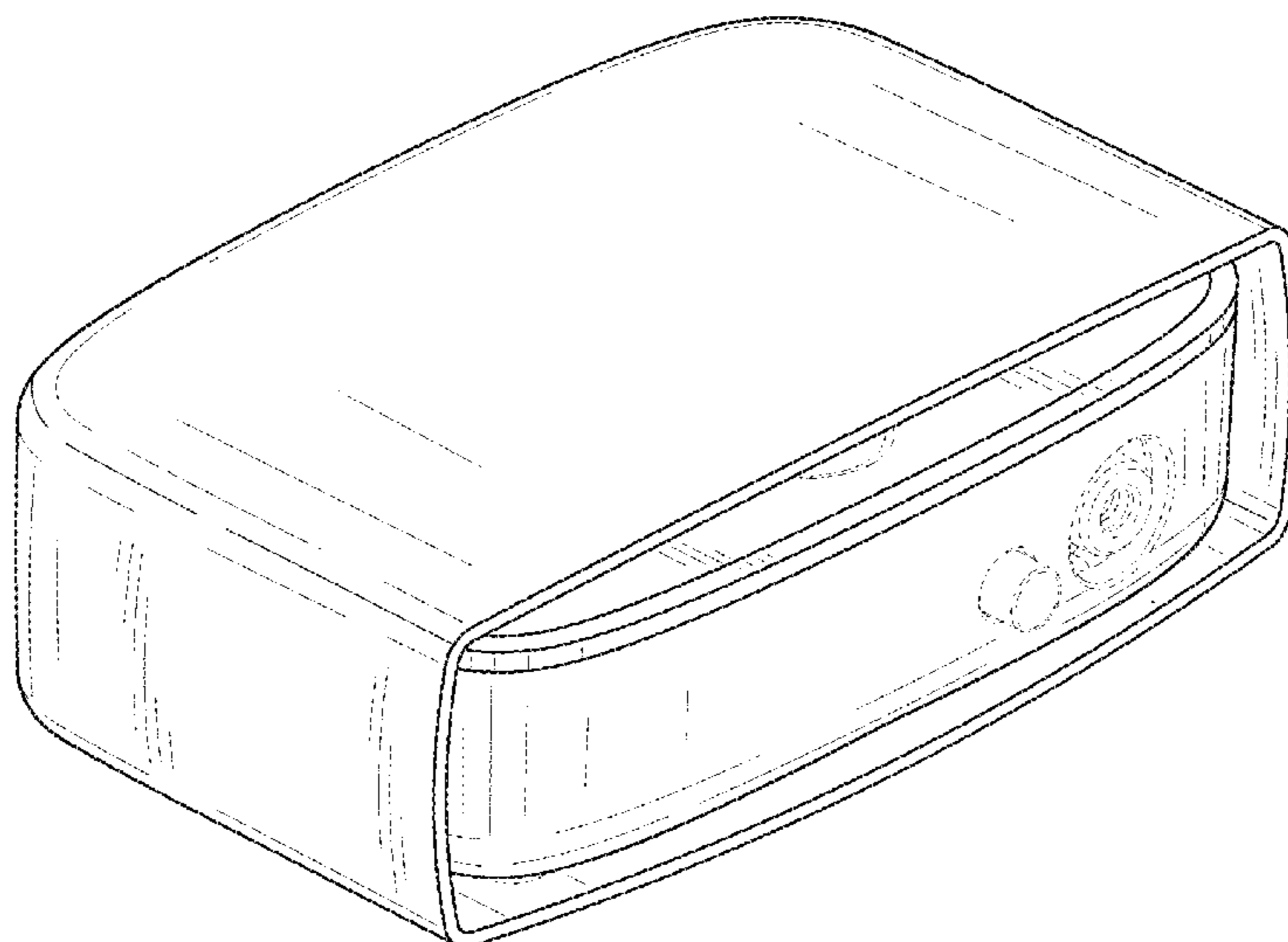
(57) **CLAIM**

We claim the ornamental design for a combination base and reservoir for an oral irrigator, as shown and described.

**DESCRIPTION**

FIG. 1 is a front isometric view of a combination base and reservoir for an oral irrigator showing our new design in a stored configuration.  
FIG. 2 is a rear isometric view thereof.  
FIG. 3 is a top plan view thereof.  
FIG. 4 is a bottom plan view thereof.  
FIG. 5 is a left side elevation view thereof.  
FIG. 6 is a right side elevation view thereof.  
FIG. 7 is a rear elevation view thereof; and,  
FIG. 8 is a front elevation view thereof.  
The broken lines in the drawings depict portions of the combination base and reservoir for an oral irrigator that form no part of the claimed design.

**1 Claim, 5 Drawing Sheets**



(56)

References Cited

U.S. PATENT DOCUMENTS

1,933,454 A	10/1933	Sidney	3,811,432 A	5/1974	Moret
1,940,111 A	12/1933	Austin	3,820,532 A	6/1974	Eberhardt et al.
D93,019 S *	8/1934	Hose ..... D1/122	3,827,147 A	8/1974	Condon
1,977,782 A	10/1934	Roy	3,837,166 A	9/1974	Hiraoka
2,107,686 A	2/1938	Bramsen et al.	3,840,795 A	10/1974	Roszyk et al.
D159,872 S	8/1950	Skold	3,847,145 A	11/1974	Grossan
2,531,730 A	11/1950	Henderson	3,854,209 A	12/1974	Franklin et al.
2,595,666 A	5/1952	Hutson	3,863,628 A	2/1975	Vit
2,669,233 A	2/1954	Friend	3,871,560 A	3/1975	Crippa
2,709,227 A	5/1955	Foley et al.	3,874,506 A	4/1975	Hill et al.
2,783,919 A	3/1957	Ansell	3,912,125 A	10/1975	Acklin
2,794,437 A	6/1957	Tash	3,943,628 A	3/1976	Kronman et al.
2,870,932 A	1/1959	Davis	3,959,883 A	6/1976	Walls et al.
2,984,452 A	5/1961	Hooper	3,973,558 A	8/1976	Stouffer et al.
3,089,490 A	5/1963	Goldberg	3,977,084 A	8/1976	Sloan
3,096,913 A	7/1963	Jousson	4,001,526 A	1/1977	Olson
3,144,867 A	8/1964	Trupp et al.	4,004,302 A	1/1977	Hori
D202,041 S	8/1965	Burzlauff	4,007,739 A	2/1977	Bron et al.
3,209,956 A	10/1965	McKenzie	4,013,227 A	3/1977	Herrera
3,216,619 A	11/1965	Richards et al.	4,052,002 A	10/1977	Stouffer et al.
3,225,759 A	12/1965	Drapen et al.	D246,667 S	12/1977	Mackay et al.
3,227,158 A	1/1966	Mattingly	D246,668 S *	12/1977	Mackay ..... 601/162
3,266,623 A	8/1966	Poferl	4,060,870 A	12/1977	Cannarella
3,297,558 A	1/1967	Hillquist	4,075,761 A	2/1978	Behne et al.
D208,778 S	10/1967	Koch	4,078,558 A	3/1978	Woog et al.
D209,204 S	11/1967	St. Clair et al.	4,094,311 A	6/1978	Hudson
D209,395 S	11/1967	Gilbert	4,108,167 A *	8/1978	Hickman ..... A61H 13/005 601/162
D210,018 S	1/1968	Mattingly et al.	4,108,178 A	8/1978	Betush
D210,019 S	1/1968	Johnson et al.	4,109,650 A	8/1978	Peclard
3,370,214 A	2/1968	Aymar	4,122,845 A	10/1978	Stouffer et al.
3,391,696 A	7/1968	Woodward	4,135,501 A	1/1979	Leunissan
3,393,673 A	7/1968	Mattingly et al.	4,141,352 A	2/1979	Ebner et al.
3,400,999 A	9/1968	Goldstein	4,144,646 A	3/1979	Takemoto et al.
3,418,552 A	12/1968	Holmes	4,149,315 A	4/1979	Page, Jr. et al.
3,420,228 A	1/1969	Kalbfeld	4,154,375 A	5/1979	Bippus
3,425,410 A	2/1969	Cammack	4,160,383 A	7/1979	Rauschenberger
3,453,969 A	7/1969	Mattingly	4,171,572 A	10/1979	Nash
3,465,751 A	9/1969	Powers	4,182,038 A	1/1980	Fleer
3,467,083 A	9/1969	Mattingly	4,200,235 A	4/1980	Monschke
D215,920 S	11/1969	McCarty et al.	4,201,200 A *	5/1980	Hubner ..... A61C 17/02 206/218
3,487,828 A	1/1970	Troy	4,215,476 A	8/1980	Armstrong
3,489,268 A	1/1970	Melerhoefer	4,219,618 A	8/1980	Leonard
3,495,587 A	2/1970	Freedman	4,227,878 A	10/1980	Lohn
3,496,933 A	2/1970	Lloyd	4,229,634 A *	10/1980	Hickman ..... A61C 1/0092 200/16 D
3,499,440 A	3/1970	Gibbs	4,236,889 A	12/1980	Wright
3,500,824 A	3/1970	Gilbert	D258,097 S	2/1981	Wistrand
3,501,203 A	3/1970	Falk	4,248,589 A	2/1981	Lewis
3,502,072 A	3/1970	Stillman	4,249,899 A	2/1981	Davis
3,517,669 A	6/1970	Buono et al.	4,257,458 A	3/1981	Kondo et al.
D218,270 S	8/1970	Soper	4,262,799 A	4/1981	Perrett
3,522,801 A	8/1970	Robinson	4,266,934 A	5/1981	Pernot
3,532,221 A	10/1970	Kaluhiokalani et al.	4,276,023 A	6/1981	Phillips et al.
3,536,065 A	10/1970	Moret	4,276,880 A	7/1981	Malmin
3,537,444 A	11/1970	Garn	4,302,186 A *	11/1981	Cammack ..... A61C 1/0092 433/80
3,538,950 A	11/1970	Porteners	4,303,064 A	12/1981	Buffa
3,547,110 A	12/1970	Balamuth	4,303,070 A	12/1981	Ichikawa et al.
3,561,433 A	2/1971	Kovach	4,306,862 A	12/1981	Knox
D220,334 S	3/1971	Mackay et al.	4,315,741 A	2/1982	Reichl
3,570,525 A	3/1971	Borsum	4,319,568 A	3/1982	Tregoning
3,572,375 A	3/1971	Rosenberg	4,331,422 A	5/1982	Heyman
3,578,884 A	5/1971	Jacobson	4,337,040 A *	6/1982	Cammack ..... A61C 1/0092 433/80
D220,996 S	6/1971	Irons	4,340,365 A	7/1982	Pisanu
3,583,609 A	6/1971	Oppenheimer	4,340,368 A	7/1982	Lococo
3,590,813 A	7/1971	Roszyk	D266,117 S	9/1982	Oberheim
3,608,548 A	9/1971	Lewis	4,353,694 A	10/1982	Pelerin
D222,862 S	1/1972	Cook	4,363,626 A	12/1982	Schmidt et al.
3,636,947 A	1/1972	Balamuth	4,365,376 A	12/1982	Oda et al.
3,651,576 A	3/1972	Massa	4,370,131 A	1/1983	Banko
3,669,101 A	6/1972	Kleiner	4,374,354 A	2/1983	Petrovic et al.
3,703,170 A	11/1972	Ryckman, Jr.	4,382,167 A	5/1983	Maruyama et al.
3,747,595 A	7/1973	Grossan	4,382,786 A	5/1983	Lohn
3,768,472 A	10/1973	Hodosh et al.	D270,000 S	8/1983	Ketler
3,783,364 A	1/1974	Gallanis et al.	4,412,823 A	11/1983	Sakai et al.
3,809,506 A	5/1974	Malcosky			
3,809,977 A	5/1974	Balamuth et al.			

(56)

References Cited

U.S. PATENT DOCUMENTS

4,416,628 A *	11/1983	Cammack .....	A61C 17/02 200/526	4,969,874 A	11/1990	Michel et al.	
4,442,830 A	4/1984	Markau		4,973,246 A	11/1990	Black	
4,442,831 A	4/1984	Trenary		4,973,247 A	11/1990	Varnes et al.	
4,452,238 A	6/1984	Kerr		4,973,250 A	11/1990	Milman	
4,454,866 A	6/1984	Fayen		4,975,054 A	12/1990	Esrock	
4,512,769 A	4/1985	Kozam et al.		4,979,503 A	12/1990	Chernack	
4,517,962 A	5/1985	Heckele		4,979,504 A	12/1990	Mills	
4,531,912 A	7/1985	Schuss et al.		4,989,590 A *	2/1991	Baum .....	A61C 1/0092 137/493.3
4,531,913 A	7/1985	Taguchi		4,998,880 A	3/1991	Nerli	
4,534,340 A	8/1985	Kerr et al.		5,013,241 A	5/1991	Von Gutfeld et al.	
4,552,130 A	11/1985	Kinoshita		5,014,884 A	5/1991	Wunsch	
4,561,214 A	12/1985	Inoue		5,019,054 A	5/1991	Clement et al.	
D283,374 S	4/1986	Cheuk-Yiu		5,027,798 A	7/1991	Primiano	
4,585,415 A	4/1986	Hommann		5,029,576 A *	7/1991	Evans, Sr. ....	A61C 17/028 433/80
4,591,777 A	5/1986	McCarty et al.		5,033,617 A	7/1991	Hartwein et al.	
4,592,728 A	6/1986	Davis		5,033,961 A	7/1991	Kandler et al.	
4,602,906 A	7/1986	Grunenfelder		D318,918 S	8/1991	Hartwein	
4,607,627 A	8/1986	Leber et al.		5,046,486 A	9/1991	Grulke et al.	
4,613,074 A	9/1986	Schulze		5,049,071 A	9/1991	Davis et al.	
4,619,009 A	10/1986	Rosenstatter		5,060,825 A	10/1991	Palmer et al.	
4,619,612 A	10/1986	Weber et al.		5,061,180 A	10/1991	Wiele	
4,629,425 A	12/1986	Detsch		5,062,795 A	11/1991	Woog	
4,636,198 A	1/1987	Stade		5,064,168 A	11/1991	Raines et al.	
4,642,037 A	2/1987	Fritchman		D322,314 S	12/1991	Ohbayashi	
4,644,937 A	2/1987	Hommann		5,071,346 A	12/1991	Domaas	
4,645,488 A	2/1987	Matukas		5,082,115 A	1/1992	Hutcheson	
4,647,831 A	3/1987	O'Malley et al.		5,082,443 A	1/1992	Lohn	
4,648,838 A	3/1987	Schlachter		5,085,317 A	2/1992	Jensen et al.	
4,650,475 A	3/1987	Smith et al.		5,086,756 A	2/1992	Powell	
4,655,198 A	4/1987	Hommann		5,095,893 A	3/1992	Rawden, Jr.	
4,669,453 A	6/1987	Atkinson et al.		5,098,291 A	3/1992	Curtis et al.	
4,672,953 A	6/1987	DiVito		5,098,676 A	3/1992	Brooks, Jr.	
4,673,396 A	6/1987	Urbaniak		5,100,319 A	3/1992	Baum	
D291,354 S	8/1987	Camens		5,117,871 A	6/1992	Gardner et al.	
4,716,352 A	12/1987	Hurn et al.		5,125,835 A	6/1992	Young	
4,749,340 A	6/1988	Ikeda et al.		5,127,831 A	7/1992	Bab	
4,770,632 A	9/1988	Ryder et al.		5,142,723 A	9/1992	Lustig et al.	
D298,565 S	11/1988	Kohler, Jr. et al.		5,150,841 A	9/1992	Silvenis et al.	
4,783,321 A	11/1988	Spence		5,172,810 A	12/1992	Brewer	
4,787,845 A	11/1988	Valentine		5,173,273 A	12/1992	Brewer	
4,787,847 A	11/1988	Martin et al.		5,183,035 A	2/1993	Weir	
4,798,292 A	1/1989	Hauze		5,197,458 A	3/1993	Ito et al.	
4,803,974 A	2/1989	Powell		5,197,460 A	3/1993	Ito et al.	
4,804,364 A	2/1989	Dieras et al.		5,199,871 A	4/1993	Young	
4,818,229 A	4/1989	Vasile		5,203,697 A	4/1993	Malmin	
4,820,152 A	4/1989	Warrin et al.		5,203,769 A	4/1993	Clement et al.	
4,821,923 A	4/1989	Skorka		5,204,004 A	4/1993	Johnston et al.	
4,824,368 A *	4/1989	Hickman .....	A61C 1/0092 433/80	5,208,933 A	5/1993	Lustig et al.	
4,826,431 A	5/1989	Fujimura et al.		5,215,193 A	6/1993	Dennis	
4,827,551 A	5/1989	Maser et al.		5,218,956 A	6/1993	Handler et al.	
4,832,683 A	5/1989	Idemoto et al.		5,220,914 A	6/1993	Thompson	
4,854,869 A	8/1989	Lawhorn		5,228,646 A	7/1993	Raines	
4,861,340 A	8/1989	Smith et al.		5,230,624 A	7/1993	Wolf et al.	
4,862,876 A	9/1989	Lih-Sheng		5,232,687 A	8/1993	Geimer	
4,869,720 A	9/1989	Chernack		5,235,968 A *	8/1993	Woog .....	A61C 17/02 433/80
4,880,382 A	11/1989	Moret et al.		5,241,714 A	9/1993	Barry	
4,886,452 A	12/1989	Lohn		5,246,367 A	9/1993	Ito et al.	
4,900,252 A	2/1990	Liefke et al.		5,252,064 A	10/1993	Baum et al.	
4,902,225 A	2/1990	Lohn		D341,200 S	11/1993	Yoshimoto	
4,903,687 A	2/1990	Lih-Sheng		5,257,933 A	11/1993	Jousson	
4,906,187 A	3/1990	Amadera		5,261,448 A	11/1993	Furuya et al.	
4,907,744 A	3/1990	Jousson		D341,943 S	12/1993	Si-Hoe	
4,915,304 A	4/1990	Campani		5,267,586 A	12/1993	Jankavaara	
4,925,450 A	5/1990	Imonti et al.		5,269,684 A	12/1993	Fischer	
4,928,675 A	5/1990	Thornton		5,281,137 A	1/1994	Jousson	
4,930,660 A	6/1990	Porteous		5,281,139 A	1/1994	Frank et al.	
4,941,459 A	7/1990	Mathur		5,282,745 A	2/1994	Wiltrout et al.	
4,950,159 A	8/1990	Hansen		5,286,192 A	2/1994	Dixon	
4,958,629 A	9/1990	Peace et al.		5,286,201 A	2/1994	Yu	
4,958,751 A	9/1990	Curtis et al.		5,295,832 A	3/1994	Evans	
4,959,199 A	9/1990	Brewer		5,297,962 A	3/1994	O'Connor et al.	
4,961,698 A	10/1990	Vlock		D346,212 S	4/1994	Hosl	
4,966,551 A	10/1990	Betush		5,301,381 A	4/1994	Klupt	
				5,302,123 A	4/1994	Bechard	
				5,317,691 A	5/1994	Traeger	
				5,321,865 A	6/1994	Kaeser	

(56)

## References Cited

## U.S. PATENT DOCUMENTS

5,331,704 A	7/1994	Rosen et al.	D408,511 S	4/1999	Allen et al.
5,344,317 A	9/1994	Pacher et al.	5,901,397 A	5/1999	Häfele et al.
5,346,677 A	9/1994	Risk	5,934,902 A	8/1999	Abahusayn
D351,892 S	10/1994	Wolf et al.	D413,975 S	9/1999	Maeda
5,360,338 A	11/1994	Waggoner	D416,999 S	11/1999	Miyamoto
5,368,548 A	11/1994	Jousson	D417,082 S	11/1999	Classen et al.
5,370,534 A	12/1994	Wolf et al.	5,993,402 A	11/1999	Sauer et al.
D354,168 S	1/1995	Hartwein	6,030,215 A	2/2000	Ellion et al.
D354,559 S	1/1995	Knute	6,038,960 A	3/2000	Fukushima et al.
5,378,149 A	1/1995	Stropko	6,039,180 A	3/2000	Grant
5,380,201 A	1/1995	Kawata	6,047,429 A	4/2000	Wu
D356,864 S	3/1995	Woog	D424,181 S	5/2000	Caplow
5,399,089 A	3/1995	Eichman et al.	D425,615 S	5/2000	Bachman et al.
D358,883 S	5/1995	Vos	D425,981 S	5/2000	Bachman et al.
5,456,672 A	10/1995	Diederich et al.	6,056,548 A	5/2000	Neuberger et al.
5,465,445 A	11/1995	Yeh	6,056,710 A	5/2000	Bachman et al.
5,467,495 A	11/1995	Boland et al.	D426,633 S	6/2000	Bachman et al.
5,468,148 A	11/1995	Ricks	6,089,865 A	7/2000	Edgar
5,470,305 A	11/1995	Arnett et al.	6,116,866 A	9/2000	Tomita et al.
5,474,450 A	12/1995	Chronister	6,120,755 A	9/2000	Jacobs
5,474,451 A	12/1995	Dalrymple et al.	6,124,699 A	9/2000	Suzuki et al.
5,476,379 A	12/1995	Disel	D434,500 S	11/2000	Pollock et al.
5,484,281 A	1/1996	Renow et al.	6,159,006 A	12/2000	Cook et al.
5,487,877 A	1/1996	Choi	6,164,967 A	12/2000	Sale et al.
5,490,779 A	2/1996	Malmin	D435,905 S	1/2001	Bachman et al.
5,505,916 A	4/1996	Berry, Jr.	D437,049 S	1/2001	Hartwein
D369,656 S	5/1996	Vos	6,193,512 B1	2/2001	Wallace
D370,125 S	5/1996	Craft et al.	6,193,932 B1	2/2001	Wu et al.
5,525,058 A	6/1996	Gallant et al.	6,199,239 B1	3/2001	Dickerson
5,526,841 A	6/1996	Detsch et al.	6,200,134 B1	3/2001	Kovac
5,540,587 A	7/1996	Malmin	D439,781 S	4/2001	Spore
5,547,374 A	8/1996	Coleman	6,217,835 B1	4/2001	Riley et al.
D373,631 S	9/1996	Maeda et al.	D441,861 S	5/2001	Hafliger
5,554,014 A	9/1996	Becker	6,233,773 B1	5/2001	Karge et al.
5,554,025 A	9/1996	Kinsel	6,234,205 B1	5/2001	D'Amello et al.
5,556,001 A	9/1996	Weissman et al.	6,237,178 B1	5/2001	Krammer et al.
5,564,629 A	10/1996	Weissman et al.	6,247,929 B1	6/2001	Bachman et al.
D376,893 S	12/1996	Gornet	6,280,190 B1	8/2001	Hoffman
D377,091 S	12/1996	Scott, Sr.	D448,236 S	9/2001	Murray
5,613,259 A	3/1997	Craft et al.	6,293,792 B1	9/2001	Hanson
5,616,028 A	4/1997	Häfele et al.	D449,884 S	10/2001	Tobin et al.
5,626,472 A	5/1997	Pennetta	D453,453 S	2/2002	Lun
5,634,791 A	6/1997	Matsuura et al.	D455,201 S	4/2002	Jones
5,636,987 A	6/1997	Serfaty	D455,203 S	4/2002	Jones
5,640,735 A	6/1997	Manning	6,363,565 B1	4/2002	Paffrath
D382,407 S	8/1997	Craft et al.	D457,949 S	5/2002	Krug
5,653,591 A	8/1997	Loge	D464,799 S	10/2002	Crossman et al.
5,659,995 A	8/1997	Hoffman	6,468,482 B1	10/2002	Frieze et al.
5,667,483 A	9/1997	Santos	6,475,173 B1	11/2002	Bachman et al.
D386,576 S	11/1997	Wang et al.	6,485,451 B1	11/2002	Roberts et al.
5,683,192 A	11/1997	Kilfoil	6,497,375 B1	12/2002	Srinath et al.
5,685,829 A	11/1997	Allen	6,497,572 B2	12/2002	Hood et al.
5,685,851 A	11/1997	Murphy et al.	6,502,584 B1	1/2003	Fordham
5,697,784 A	12/1997	Häfele et al.	D470,660 S	2/2003	Schaber
D388,612 S	1/1998	Stutzer et al.	6,558,344 B2	5/2003	McKinnon et al.
D388,613 S	1/1998	Stutzer et al.	6,561,808 B2	5/2003	Neuberger et al.
D389,091 S	1/1998	Dickinson	D475,346 S	6/2003	McCurrach et al.
5,709,545 A	1/1998	Johnston et al.	D476,743 S	7/2003	D'Silva
D390,934 S	2/1998	McKeone	6,589,477 B1	7/2003	Frieze et al.
5,716,007 A	2/1998	Nottingham et al.	6,602,071 B1	8/2003	Ellion et al.
5,718,668 A	2/1998	Arnett et al.	6,632,091 B1	10/2003	Cise et al.
5,746,595 A	5/1998	Ford	D482,451 S	11/2003	Page et al.
5,749,726 A	5/1998	Kinsel	6,640,999 B2	11/2003	Peterson
5,759,502 A	6/1998	Spencer et al.	6,647,577 B2	11/2003	Tam
5,779,471 A	7/1998	Tseng et al.	6,659,674 B2	12/2003	Carlucci et al.
5,779,654 A	7/1998	Foley et al.	6,663,386 B1	12/2003	Moelsgaard
5,795,153 A	8/1998	Rechmann	6,669,059 B2	12/2003	Mehta
5,796,325 A	8/1998	Lundell et al.	D484,971 S	1/2004	Hartwein
5,833,065 A	11/1998	Burgess	6,681,418 B1	1/2004	Bierend
5,836,030 A	11/1998	Hazeu et al.	D486,573 S	2/2004	Callaghan et al.
D402,744 S	12/1998	Zuege	6,689,078 B1	2/2004	Rehkemper et al.
5,851,079 A	12/1998	Horstman et al.	6,699,208 B2	3/2004	Bachman et al.
D403,511 S	1/1999	Serbinski	6,719,561 B2	4/2004	Gugel et al.
D406,334 S	3/1999	Rosenthal et al.	D489,183 S	5/2004	Akahori et al.
5,876,201 A	3/1999	Wilson et al.	6,739,782 B1	5/2004	Rehkemper et al.
			6,740,053 B2	5/2004	Kaplowitz
			D490,899 S	6/2004	Gagnon
			D491,728 S	6/2004	Jimenez
			D492,996 S	7/2004	Rehkemper et al.

(56)

References Cited

U.S. PATENT DOCUMENTS

6,761,324 B2	7/2004	Chang	8,220,726 B2	7/2012	Qiu et al.
6,766,549 B2	7/2004	Klupt	D666,912 S	9/2012	Kawai
D495,142 S	8/2004	Berde	8,256,979 B2	9/2012	Hilscher et al.
D495,143 S	8/2004	Berde	D668,339 S	10/2012	Luoto
6,779,216 B2	8/2004	Davies et al.	D669,169 S	10/2012	Washington et al.
6,783,004 B1	8/2004	Rinner	8,297,534 B2	10/2012	Li et al.
6,783,505 B1	8/2004	Lai	D670,373 S	11/2012	Taylor et al.
6,796,796 B2	9/2004	Segal	D670,958 S	11/2012	Picozza et al.
D498,643 S	11/2004	Pryor	D671,637 S	11/2012	Gebski et al.
6,814,259 B1	11/2004	Foster et al.	D672,018 S	12/2012	Bucher
D499,885 S	12/2004	Xi	8,366,024 B2	2/2013	Leber et al.
6,835,181 B2	12/2004	Hippensteel	8,403,577 B2	3/2013	Khoshnevis
D500,599 S	1/2005	Callaghan	8,403,665 B2	3/2013	Thomas et al.
6,837,708 B2	1/2005	Chen et al.	8,408,483 B2	4/2013	Boyd et al.
6,884,069 B2	4/2005	Goldman	D686,311 S	7/2013	Mori
6,902,337 B1	6/2005	Kuo	D694,378 S	11/2013	Bates
6,907,879 B2	6/2005	Drinan et al.	D694,398 S	11/2013	Taylor
D509,585 S	9/2005	Kling et al.	D700,343 S	2/2014	Liu
D513,638 S	1/2006	Pan	D702,819 S	4/2014	Garland
D515,215 S	2/2006	Wang	D702,821 S	4/2014	Garland
D522,652 S	6/2006	Massey	D707,350 S	6/2014	Woodard
7,080,980 B2	7/2006	Klupt	D709,183 S	7/2014	Kemlein
D529,661 S	10/2006	Schmidt	D714,929 S	10/2014	Kim et al.
D530,010 S	10/2006	Luetgen et al.	D714,930 S	10/2014	Kim et al.
7,117,555 B2	10/2006	Fattori et al.	D717,412 S	11/2014	Bucher
D532,570 S	11/2006	Vizcarra	D717,427 S	11/2014	Kim
7,131,838 B2	11/2006	Suzuki et al.	D718,855 S	12/2014	Kim et al.
D533,720 S	12/2006	Vu	D723,387 S	3/2015	Fath
D538,474 S	3/2007	Sheppard et al.	D725,770 S	3/2015	Kim et al.
D548,334 S	8/2007	Izumi	D731,640 S	6/2015	Kim et al.
D550,097 S	9/2007	Lepoitevin	D735,305 S	7/2015	Obara
D553,980 S	10/2007	VerWeyst	D740,936 S	10/2015	Kim et al.
7,276,035 B2	10/2007	Lu	D745,329 S	12/2015	Ong
7,314,456 B2	1/2008	Shaw	D746,975 S	1/2016	Schenck
D565,175 S	3/2008	Boyd et al.	D747,464 S	1/2016	Taylor
7,344,510 B1	3/2008	Yande	D754,330 S	4/2016	Kim et al.
D565,713 S	4/2008	Gao	D756,122 S	5/2016	Taylor
7,367,803 B2	5/2008	Egeresi	D764,051 S	8/2016	Wang
D574,952 S	8/2008	Boyd et al.	D766,423 S	9/2016	Kim et al.
D577,198 S	9/2008	Jimenez	D772,396 S	11/2016	Kim et al.
D577,814 S	9/2008	Seki et al.	D772,397 S	11/2016	Kim et al.
D581,279 S	11/2008	Oates	D774,651 S	12/2016	Kaib
7,455,521 B2	11/2008	Fishburne, Jr.	D776,253 S	1/2017	Li
7,469,440 B2	12/2008	Boland et al.	D782,326 S	3/2017	Fath
D585,132 S	1/2009	Pukall	D782,656 S *	3/2017	Au ..... D24/111
D588,262 S	3/2009	Pukall	D786,422 S *	5/2017	Au ..... D24/111
7,500,584 B2	3/2009	Schutz	2002/0090252 A1	7/2002	Hall et al.
D590,492 S	4/2009	Powell	2002/0108193 A1	8/2002	Gruber
D592,748 S	5/2009	Boulton	2002/0119415 A1	8/2002	Bailey
D595,136 S	6/2009	Puigbo	2002/0152565 A1	10/2002	Klupt
D601,694 S	10/2009	Rocklin	2003/0060743 A1	3/2003	Chang
D601,697 S	10/2009	Sobeich et al.	2003/0098249 A1	5/2003	Rollock
D603,708 S	11/2009	Handy	2003/0204155 A1	10/2003	Egeresi
D608,430 S	1/2010	Slothower	2003/0213075 A1	11/2003	Hui et al.
7,670,141 B2	3/2010	Thomas et al.	2004/0045107 A1	3/2004	Egeresi
7,677,888 B1	3/2010	Halm	2004/0076921 A1	4/2004	Gofman et al.
D613,550 S	4/2010	Picozza et al.	2004/0122377 A1	6/2004	Fischer et al.
D621,949 S	8/2010	Seki et al.	2004/0126730 A1	7/2004	Panagotacos
D622,928 S	9/2010	Griebel	2004/0209222 A1	10/2004	Snyder
D623,376 S *	9/2010	Griebel ..... D1/122	2005/0049620 A1	3/2005	Chang
D625,406 S	10/2010	Seki et al.	2005/0064371 A1	3/2005	Soukos et al.
7,814,585 B1	10/2010	Reich	2005/0101894 A1	5/2005	Hippensteel
D629,884 S	12/2010	Stephens	2005/0102773 A1	5/2005	Obermann et al.
7,857,623 B2	12/2010	Grez	2005/0144745 A1	7/2005	Russell
7,862,536 B2	1/2011	Chen et al.	2005/0177079 A1	8/2005	Pan
7,959,597 B2	6/2011	Baker et al.	2005/0271531 A1	12/2005	Brown et al.
D640,872 S	7/2011	Nanda	2006/0008373 A1	1/2006	Schutz
D648,539 S	11/2011	Wal	2006/0010624 A1	1/2006	Cleland
D651,409 S	1/2012	Papenfu	2006/0026784 A1	2/2006	Moskovich et al.
D651,805 S	1/2012	Hay	2006/0057539 A1	3/2006	Sodo
D653,340 S	1/2012	Goerge et al.	2006/0078844 A1	4/2006	Goldman et al.
8,113,832 B2	2/2012	Snyder et al.	2006/0079818 A1	4/2006	Yande
D655,380 S	3/2012	Taylor	2007/0082316 A1	4/2007	Zhadanov et al.
D658,381 S	5/2012	Gebski	2007/0082317 A1	4/2007	Chuang
D658,538 S	5/2012	Korzeniowski	2007/0113360 A1	5/2007	Tsai
			2007/0202459 A1	8/2007	Boyd et al.
			2007/0203439 A1	8/2007	Boyd et al.
			2007/0254260 A1	11/2007	Alden
			2008/0189951 A1	8/2008	Molema et al.

(56)

References Cited

U.S. PATENT DOCUMENTS

2008/0213719 A1 9/2008 Giniger et al.  
 2008/0253906 A1 10/2008 Strong  
 2009/0070949 A1 3/2009 Sagel et al.  
 2009/0082706 A1 3/2009 Shaw  
 2009/0124945 A1 5/2009 Reich et al.  
 2009/0163839 A1 6/2009 Alexander  
 2009/0188780 A1 7/2009 Watanabe  
 2009/0281454 A1 11/2009 Baker et al.  
 2010/0010524 A1 1/2010 Barrington  
 2010/0015566 A1 1/2010 Shaw  
 2010/0190132 A1 7/2010 Taylor et al.  
 2010/0209870 A1 8/2010 Thomas et al.  
 2010/0239998 A1 9/2010 Snyder et al.  
 2010/0261134 A1 10/2010 Boyd et al.  
 2010/0261137 A1 10/2010 Boyd et al.  
 2010/0326536 A1 12/2010 Nan  
 2010/0330527 A1 12/2010 Boyd et al.  
 2011/0027749 A1 2/2011 Syed  
 2011/0076090 A1 3/2011 Wu et al.  
 2011/0097683 A1 4/2011 Boyd et al.  
 2011/0139826 A1 6/2011 Hair et al.  
 2011/0144588 A1 6/2011 Taylor et al.  
 2011/0184341 A1 7/2011 Baker et al.  
 2011/0307039 A1 12/2011 Cornell  
 2012/0021374 A1 1/2012 Cacka et al.  
 2012/0045730 A1 2/2012 Snyder et al.  
 2012/0064480 A1 3/2012 Hegemann  
 2012/0077145 A1 3/2012 Tsurukawa  
 2012/0141952 A1 6/2012 Snyder et al.  
 2012/0179118 A1 7/2012 Hair  
 2012/0189976 A1 7/2012 McDonough et al.  
 2012/0266396 A1 10/2012 Leung  
 2012/0277663 A1 11/2012 Millman et al.  
 2012/0277677 A1 11/2012 Taylor et al.  
 2012/0277678 A1 11/2012 Taylor et al.  
 2012/0279002 A1 11/2012 Sokol et al.  
 2012/0295220 A1 11/2012 Thomas et al.  
 2013/0295520 A1 11/2013 Hsieh  
 2014/0106296 A1 4/2014 Woodard et al.  
 2014/0193774 A1 7/2014 Snyder et al.  
 2014/0259474 A1 9/2014 Sokol et al.  
 2014/0272769 A1 9/2014 Luetttgen et al.  
 2014/0272782 A1 9/2014 Luetttgen et al.  
 2014/0352088 A1 12/2014 Wu  
 2015/0004559 A1 1/2015 Luetttgen et al.  
 2015/0147717 A1 5/2015 Taylor et al.  
 2015/0173850 A1 6/2015 Garrigues et al.  
 2015/0182319 A1 7/2015 Wagner et al.  
 2016/0100921 A1 4/2016 Ungar  
 2016/0151133 A1 6/2016 Luetttgen et al.

FOREIGN PATENT DOCUMENTS

CN 204049908 12/2014  
 DE 1466963 5/1969  
 DE 2019003 11/1971  
 DE 2409752 9/1975  
 DE 2545936 4/1977  
 DE 2714876 10/1978  
 DE 2910982 2/1980  
 DE 3346651 7/1985  
 EP 0023672 7/1980  
 EP 0515983 2/1992  
 EP 1825827 8/2007  
 FR 2556954 6/1985  
 FR 2654627 5/1991  
 GB 838564 6/1960  
 GB 1182031 2/1970  
 GB 2018605 10/1979  
 JP 2-134150 5/1990  
 JP 2009-39455 2/2009  
 KR 20120126265 11/2012

WO WO95/016404 6/1995  
 WO WO01/10327 2/2001  
 WO WO04/021958 3/2004  
 WO WO04/039205 5/2004  
 WO WO2004/060259 7/2004  
 WO WO2004/062518 7/2004  
 WO WO2008/070730 6/2008  
 WO WO2008/157585 12/2008  
 WO WO2013/124691 8/2013

OTHER PUBLICATIONS

Cordless Water Floss Portable Oral Irrigator. AliExpress. Date reviewed: Jan. 12, 2017. <<https://www.aliexpress.com/item/Cordless-Water-Floss-Portable-Oral-Irrigator-Dental-Water-Flosser-Waterpic-Whatpick-Dental-Water-Pic-Whater-Pick/32769416341.html?spm=2114.40010308.4.75.OwuzfJ>>.\*  
 The Right Tool, Electron Fusion Devices, Inc., 2 pages, at least as early as Feb. 1991.  
 Japanese Packaging, 2 pages, at least as early as Dec. 2002.  
 Japanese Instruction Brochure, 20 pages, at least as early as Dec. 2002.  
 Brochure: Woog International, "You have a 98% chance of getting gum disease. Unless you read this.", Lancaster, Pennsylvania, 5 pages, Feb. 1987.  
 Brochure: Woog International, "We put the control of home dental care back into the hands of the professional", Lancaster, Pennsylvania, 2 pages, Feb. 1987.  
 Brochure: WOOG International, "Products at a Glance: Home Dental Care System" WOOG Orajet, 3 pages, at least as early as Dec. 18, 1998.  
 Website: [http://www.just4teeth.com/product/Panasonic/Panasonic\\_Portable\\_Irrigator.htm](http://www.just4teeth.com/product/Panasonic/Panasonic_Portable_Irrigator.htm), 2 pages, at least as early as Jun. 20, 2003.  
 Website: [http://www.videodirectstore.com/store/merchant.mv?Screen=PROD&Product\\_Code=EW1'...](http://www.videodirectstore.com/store/merchant.mv?Screen=PROD&Product_Code=EW1'...), 2 pages, at least as early as Jun. 20, 2003.  
 Website: <http://products.consumerguide.com/cp/family/review/index.cfm/id/18742>, 2 pages, at least as early as Jun. 20, 2003.  
 Website: <http://www.racekarteng.com/images/walbroparts.gif> and <http://www.muller.net/mullermachine/docs/walbro1.html>, 4 pages, at least as early as Jun. 20, 2003.  
 European Search Report, EPO Application No. 07250799.9, dated Jul. 5, 2007.  
 European Search Report, EPO Application No. 07252693.2, 14 pages, dated Apr. 28, 2008.  
 European Examination Report, EPO Application No. 07250799.9, dated Feb. 5, 2009.  
 International Search Report, Application No. PCT/US2010/028180, 2 pages, dated May 18, 2010.  
 International Search Report, PCT/US2010/060800, 2 pages, dated Feb. 11, 2011.  
 International Search Report, PCT/US2011/052795, 10 pages, dated Jan. 17, 2012.  
 Waterpik SinuSense Website: <http://www.insightsbyapril.com/2012/03/waterpik-natural-remedy-for-sinus.html>, 8 pages, retrieved on May 31, 2012.  
 Website: <https://www.waterpik.com/about-us/>, 3 pages.  
 Waterpik WP350W Oral Irrigator. Dentist.net. Copyright date 2013. Date accessed: Mar. 30, 2017, 2 pages.  
 iPik Portable Oral Irrigator. AliExpress. Date reviewed: Oct. 5, 2016. [https://www.aliexpress.com/...e-Oral-Care-Product-Nasal-Irrigator-Tooth-Flosser-Water/1525541997.html?aff\\_platform=aaf&cpt=1490913714609&sk=yfAeyJa&aff\\_trace\\_key=c5a300c4f02e46d08c042f5292e1762f-1490913714609-07517-yfAeyJa](https://www.aliexpress.com/...e-Oral-Care-Product-Nasal-Irrigator-Tooth-Flosser-Water/1525541997.html?aff_platform=aaf&cpt=1490913714609&sk=yfAeyJa&aff_trace_key=c5a300c4f02e46d08c042f5292e1762f-1490913714609-07517-yfAeyJa), 18 pages.  
 Brite Leafs Professional Portable 2-in-1 Nasal Sinus & Oral Irrigator. Brite Leafs. Copyright date 2012, <http://www.briteleafs.com/product6.html>, 1 page.

\* cited by examiner

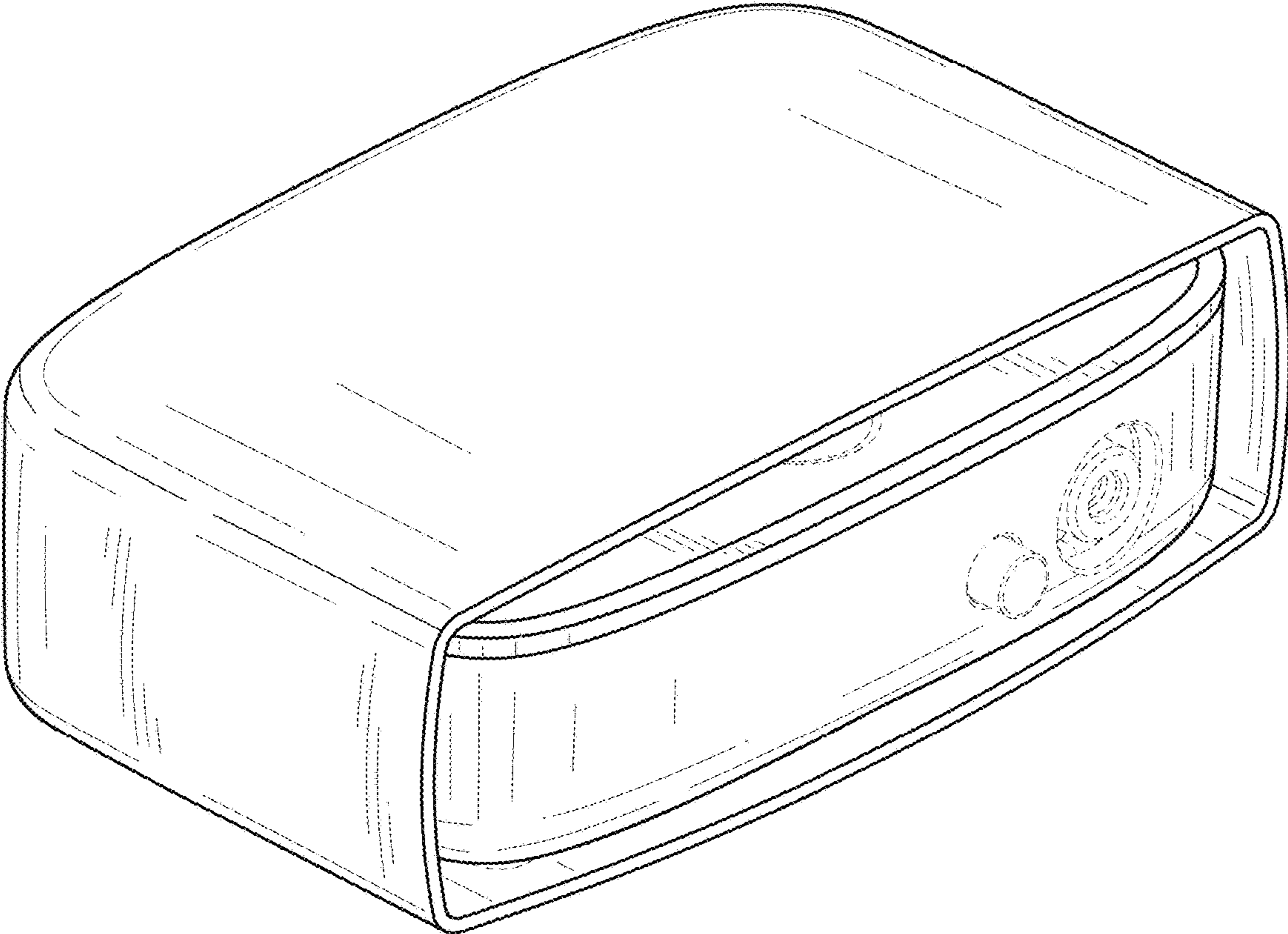


FIG. 1

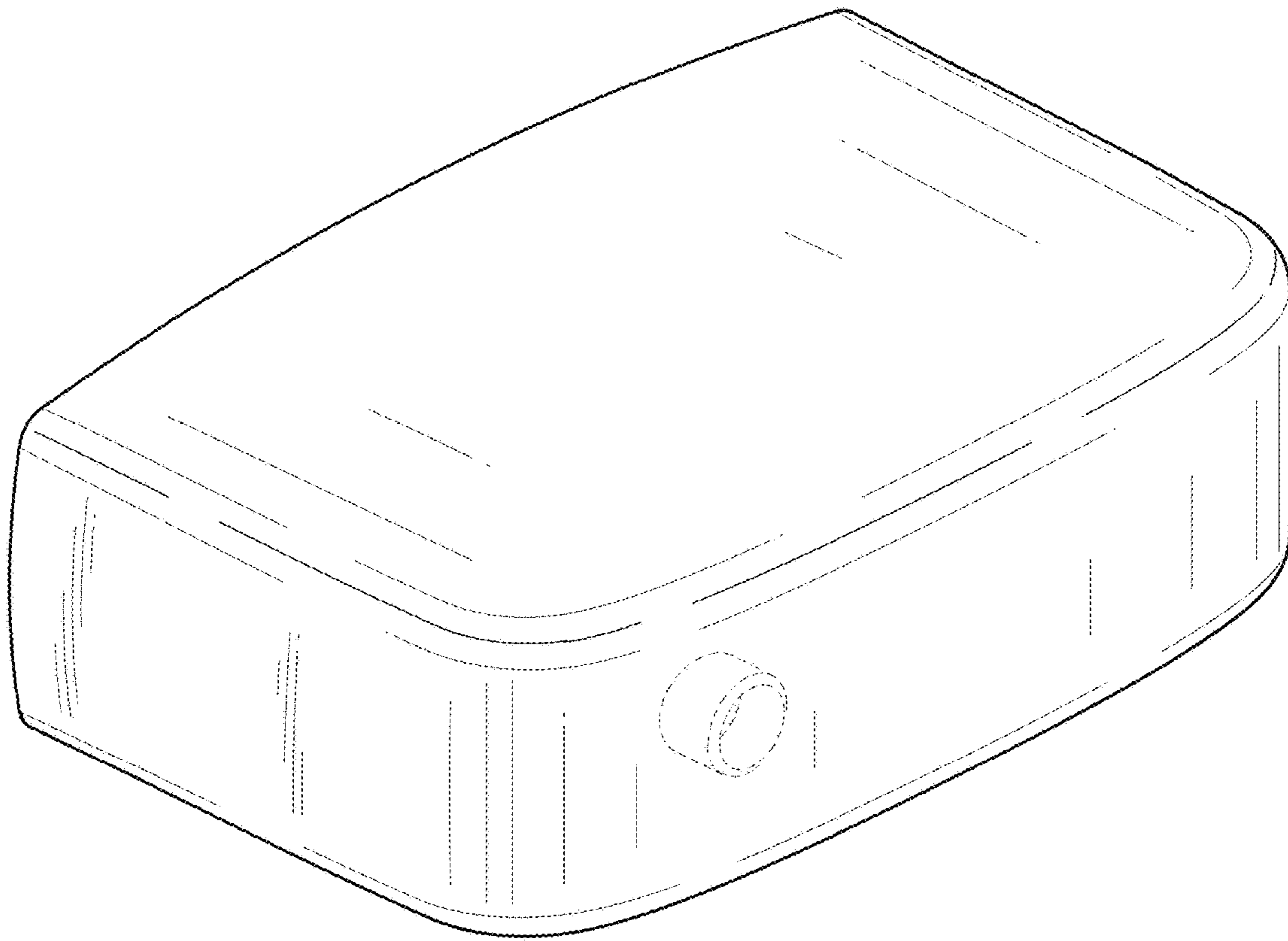


FIG. 2



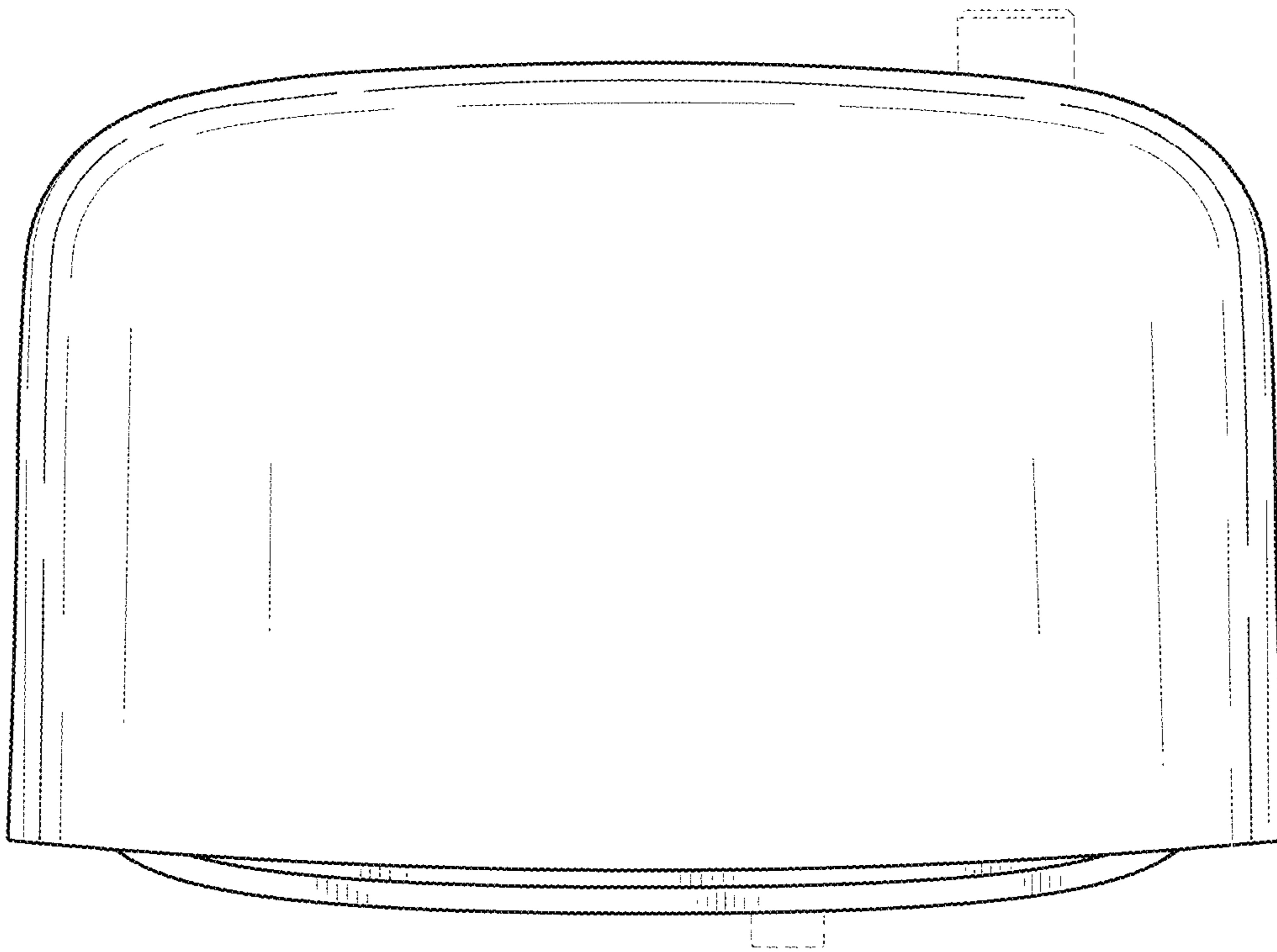


FIG. 3

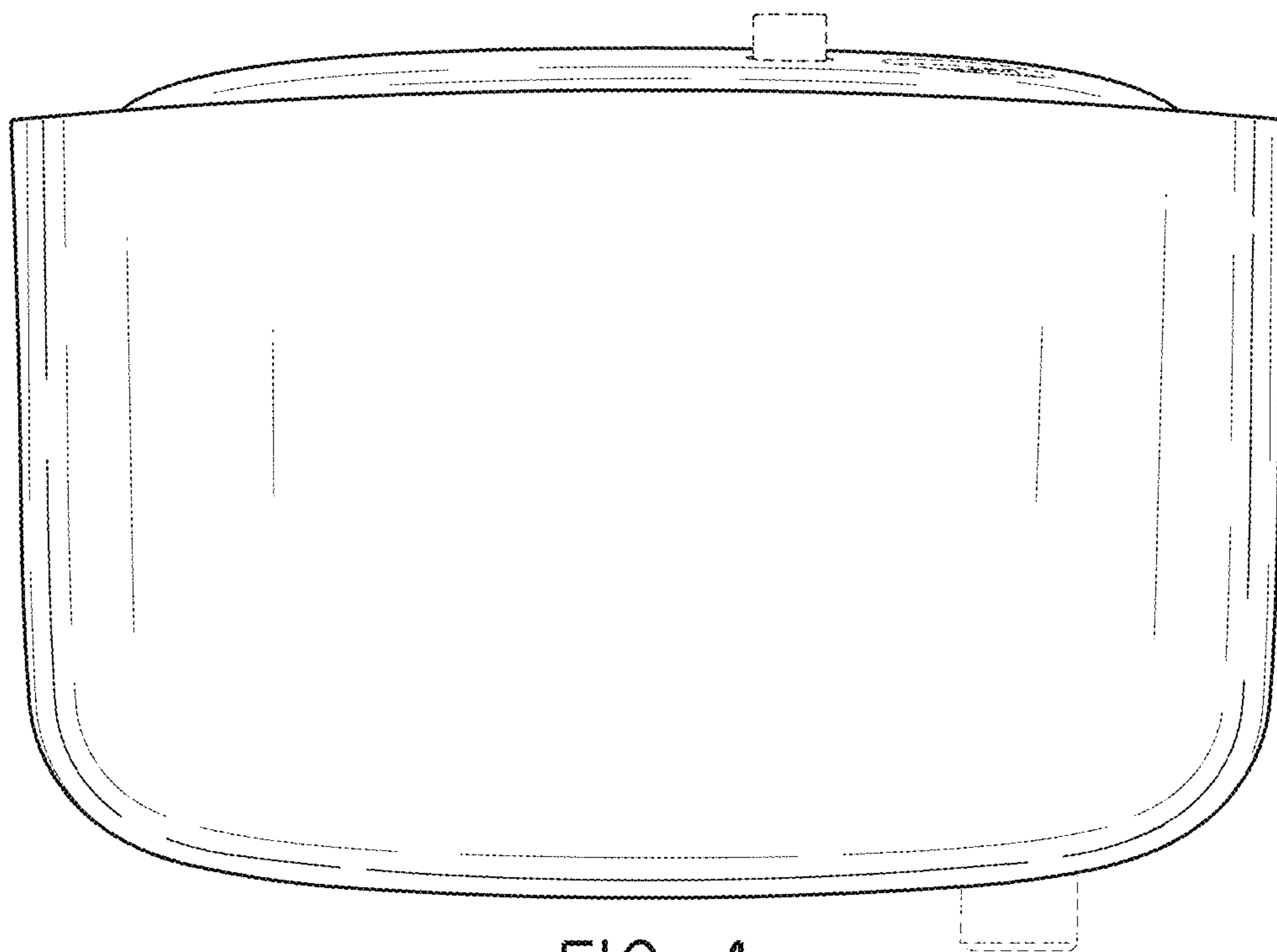


FIG. 4

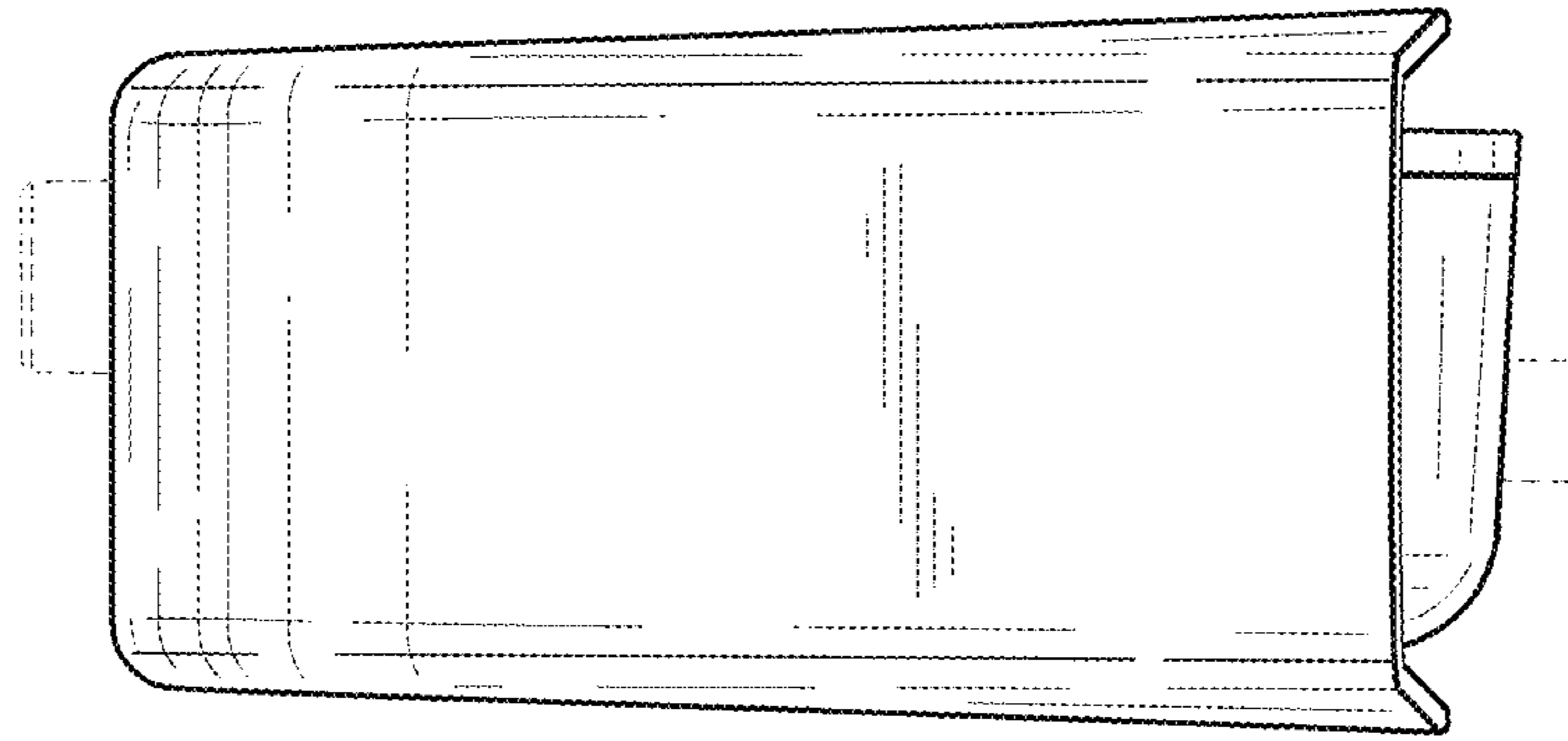


FIG. 5

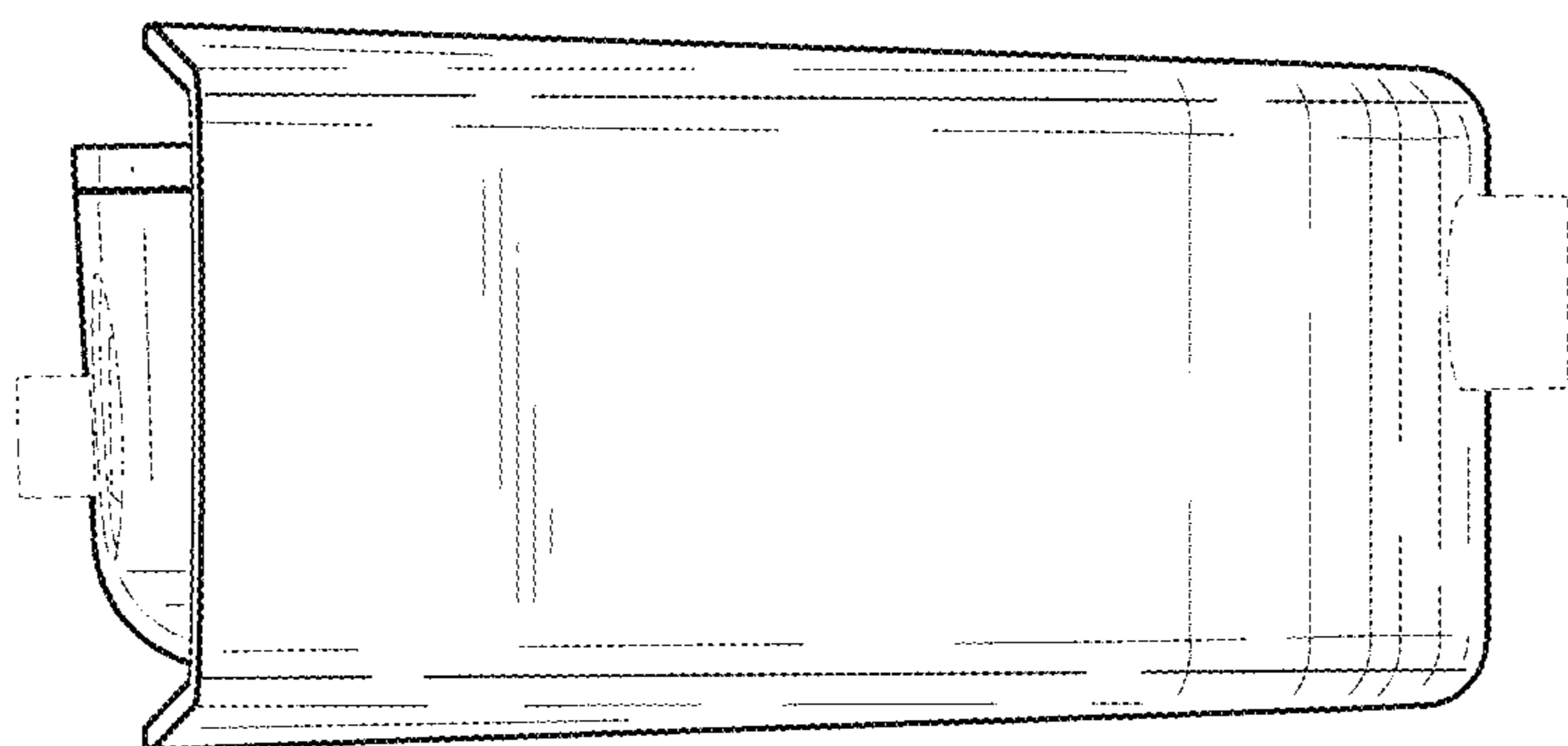


FIG. 6

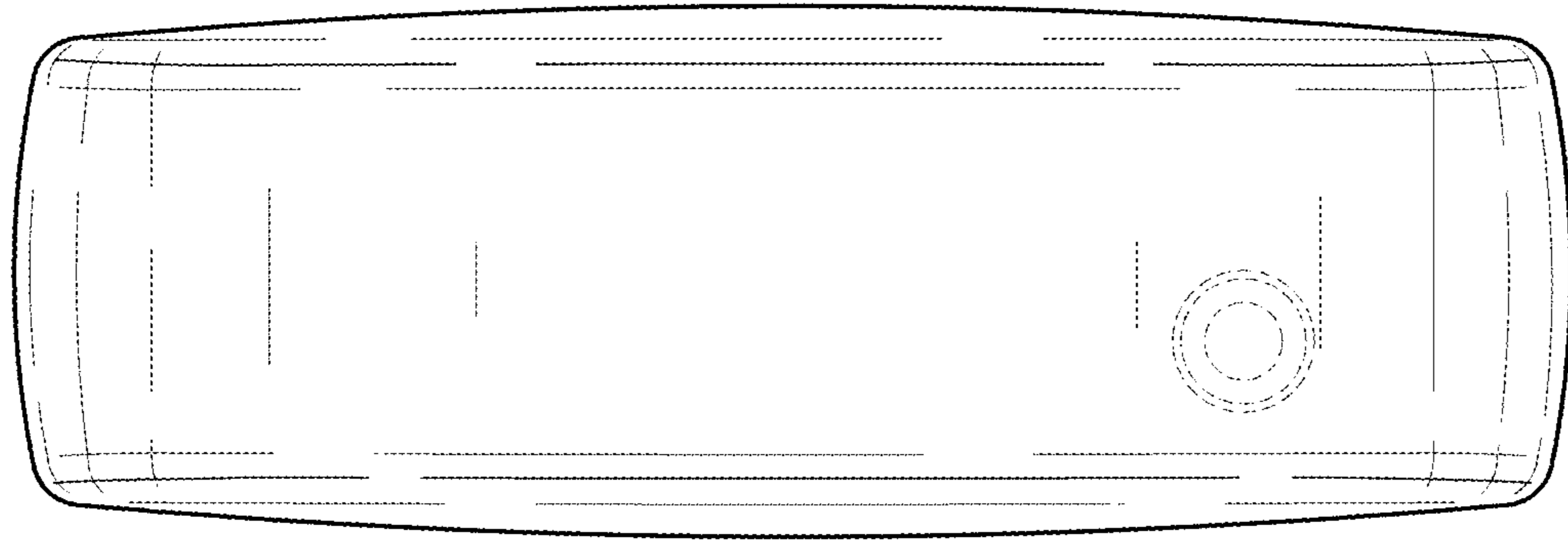


FIG. 7

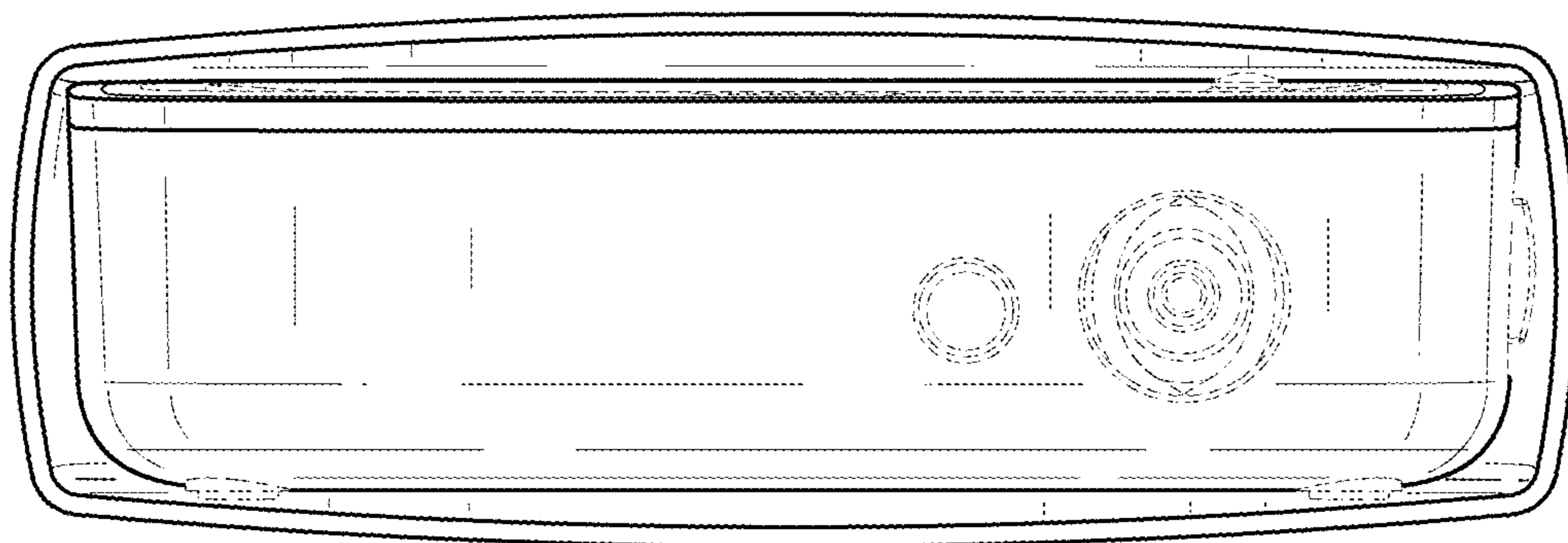


FIG. 8