



US00D809644S

(12) **United States Design Patent** (10) **Patent No.:** **US D809,644 S**  
**Holmes et al.** (45) **Date of Patent:** **\*\* Feb. 6, 2018**

(54) **CEILING FAN**

OTHER PUBLICATIONS

(71) Applicant: **HUNTER FAN COMPANY**,  
Memphis, TN (US)  
(72) Inventors: **Christine Holmes**, Memphis, TN (US);  
**Claire Bernice McRoberts**, Memphis,  
TN (US)  
(73) Assignee: **Hunter Fan Company**, Memphis, TN  
(US)

Monte Carlo 3KNR52CHD/ABS Ceiling Fans Ken, date first avail-  
able Jan. 27, 2014, site visited Aug. 30, 2017, Available from  
Internet, [https://www.amazon.com/Monte-Carlo-3KNR52CHD-ABS-Ceiling/dp/B00I2VZLC6/ref=sr\\_1\\_1?ie=UTF8&qid=1504123478&sr=8-1](https://www.amazon.com/Monte-Carlo-3KNR52CHD-ABS-Ceiling/dp/B00I2VZLC6/ref=sr_1_1?ie=UTF8&qid=1504123478&sr=8-1)  
&keywords=monte+carlo+ken+ceiling+fan.\*  
Hunter 59039 Windemere 54 in. Indoor Ceiling Fan with Light and  
Remote, date first available Aug. 7, 2013, site visited Aug. 30, 2017,  
Available from Internet, [https://www.amazon.com/Hunter-59039-Windemere-Indoor-Ceiling/dp/B00ED7X8GE/ref=sr\\_1\\_1?s=hi&ie=UTF8&qid=1504125357&sr=1-1-spons&keywords=hunter+windemere&psc=1.\\*](https://www.amazon.com/Hunter-59039-Windemere-Indoor-Ceiling/dp/B00ED7X8GE/ref=sr_1_1?s=hi&ie=UTF8&qid=1504125357&sr=1-1-spons&keywords=hunter+windemere&psc=1.*)  
<http://www.kichler.com/products/product/52-lyndon-patio-ceiling-fan-wsp-310139wsp.aspx>, Item Specification for Kichler 52' Lyndon Patio Ceiling Fan in WSP, accessed Mar. 7, 2016.

(\*\*) Term: **15 Years**

(Continued)

(21) Appl. No.: **29/557,154**

(22) Filed: **Mar. 7, 2016**

(51) **LOC (11) Cl.** ..... **23-04**

*Primary Examiner* — Cathron C Brooks

(52) **U.S. Cl.**  
USPC ..... **D23/377**; D26/59

*Assistant Examiner* — Sharon S Oum

(74) *Attorney, Agent, or Firm* — McGarry Bair PC

(58) **Field of Classification Search**  
USPC ..... D23/355, 370–376, 378, 380–384,  
D23/386–387, 412, 414, 377, 379, 385,  
D23/411, 413; D26/59

(57) **CLAIM**

The ornamental design for a ceiling fan, as shown and described.

CPC ..... F04D 25/088; F21V 33/0096  
See application file for complete search history.

**DESCRIPTION**

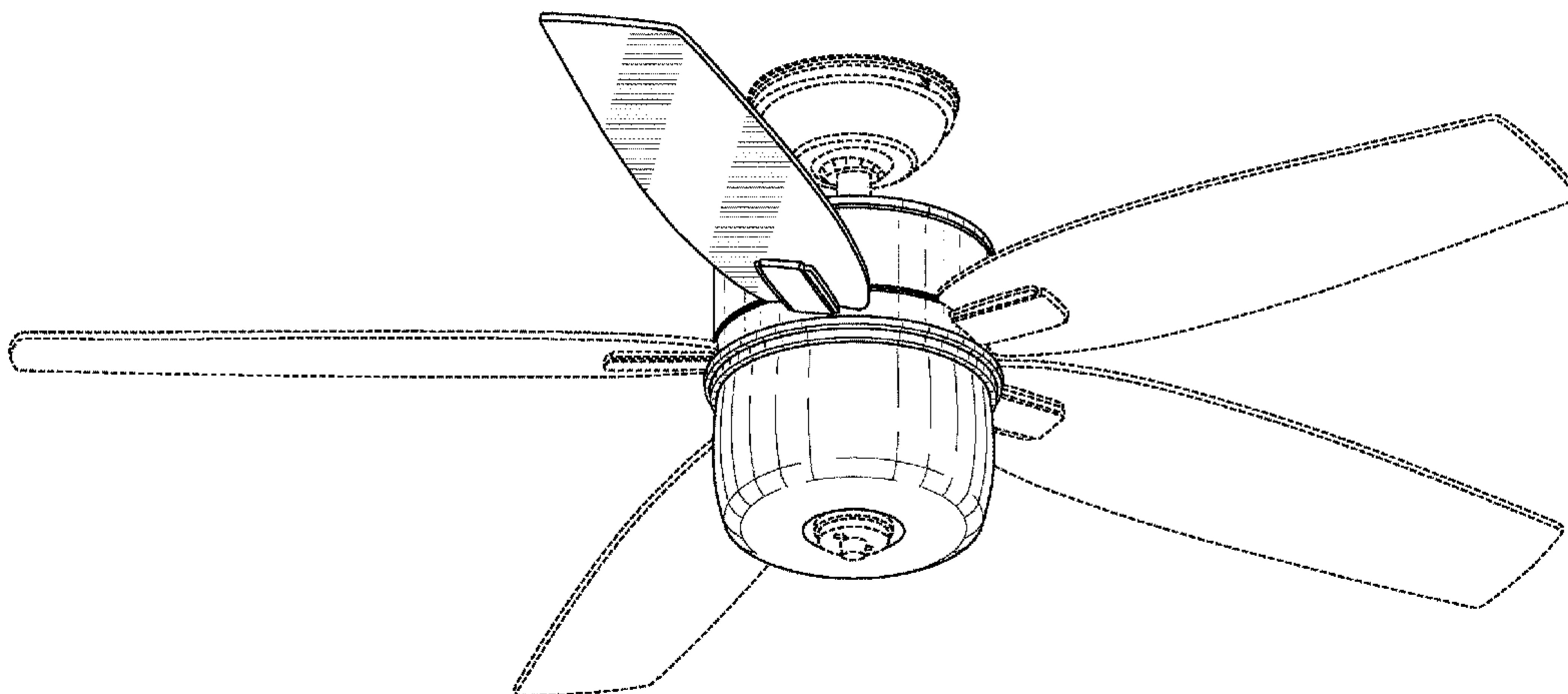
(56) **References Cited**

FIG. 1 is a top perspective view of a ceiling fan showing our new design;  
FIG. 2 is a bottom perspective view of the ceiling fan of FIG. 1;  
FIG. 3 is a top view of the ceiling fan of FIG. 1;  
FIG. 4 is a bottom view of the ceiling fan of FIG. 1;  
FIG. 5 is a front side view of the ceiling fan of FIG. 1;  
FIG. 6 is a rear side view of the ceiling fan of FIG. 1;  
FIG. 7 is a right side view of the ceiling fan of FIG. 1; and,  
FIG. 8 is a left side view of the ceiling fan of FIG. 1.  
Portions of the ceiling fan shown in broken lines form no part of the claimed design.

U.S. PATENT DOCUMENTS

D297,974 S *	10/1988	Sonneman	.....	D23/377
D312,686 S *	12/1990	Weber	.....	D23/377
D328,785 S *	8/1992	Markwardt	.....	D23/377
D328,951 S	8/1992	Scotfield		
D329,087 S *	9/1992	Markwardt	.....	D23/377
D437,046 S	1/2001	Tsuji		
D510,427 S	10/2005	Hidalgo		
D547,483 S	7/2007	Pickett		
D707,336 S	6/2014	Pan		
D744,634 S	12/2015	Wang		
D759,799 S *	6/2016	Wang	.....	D23/385

**1 Claim, 8 Drawing Sheets**



(56)

**References Cited**

## OTHER PUBLICATIONS

<http://www.montecarlofans.com/fa2244-pgl/Clarity-Collection.htm>, Item Specification for Clarity Collection by the Monte Carlo Fan Company, accessed Mar. 7, 2016.

<http://www.minkagroup.net/products/f734-si>, Item Specification for F734-SI—Strata—Minka Group, accessed Mar. 7, 2016.

<http://www.kichler.com/products/product/52-arkwet-patio-ceiling-fan-wsp-339529wsp.aspx>, Item Specification for 52" Arkwet Patio Ceiling Fan in WSP, accessed Mar. 7, 2016.

[http://www.cens.com/cens/html/en/product/product\\_main\\_77128.html](http://www.cens.com/cens/html/en/product/product_main_77128.html), Item Specification for Orion-Contemporary Series\_Air Cool Industrial Co., LTD.\_CENS, accessed Mar. 7, 2016.

<http://ceilingfans.emerson.com/shop/en/fan/fans-s-emerson-fans/emerson-fans-browse-all/cornerstone-fan-cf1orb>, Item Specification for Traditional Bronze Ceiling Fan—Emerson, Cornerstone, accessed Mar. 7, 2016.

<http://ceilingfans.emerson.com/shop/en/fan/fans-s-emerson-fans/emerson-fans-browse-all/highpointe-fan-p-cf205>, Item Specifica-

tion for Modern Architecturally-Inspired Black Ceiling Fan—Emerson—HighPointe, accessed Mar. 7, 2016.

<http://www.minkagroup.net/products/f689-dbb>, Item Specification for F689-DBB Minka Group, Kola-XL, accessed Mar. 7, 2016.

<http://www.hunterfan.com/Ceiling-Fans/Antero?ModelNumber=59178>, Item Specification for Antero Ceiling Fans with\_Lights—Hunter Fan, accessed Mar. 7, 2016.

<http://www.kichler.com/products/product/60-terra-select-ceiling-fan-obb-330250obb.aspx>, Item Specification for 60" Terra Select Ceiling Fan in OBB, accessed Mar. 7, 2016.

<http://www.montecarlofans.com/38110/52-Nikki---Polished-Nickel-5NKR52PND.html>, Item Specification for 5NKR52PND,52" Nikki—Polished Nickel, Polished Nickel, accessed Mar. 7, 2016.

<http://ceilingfans.emerson.com/shop/en/fan/fans-s-emerson-fans/fans-s-contemporary/atomical-fan-p-cf930>, Item Specification for Outdoor Brushed Steel Ceiling Fan with Light, Emerson—Atomical, accessed Mar. 7, 2016.

<http://www.fanimation.com/products/index.php/fans/stafford.html>, Item Specification for Stafford—Fans, accessed Mar. 7, 2016.

\* cited by examiner

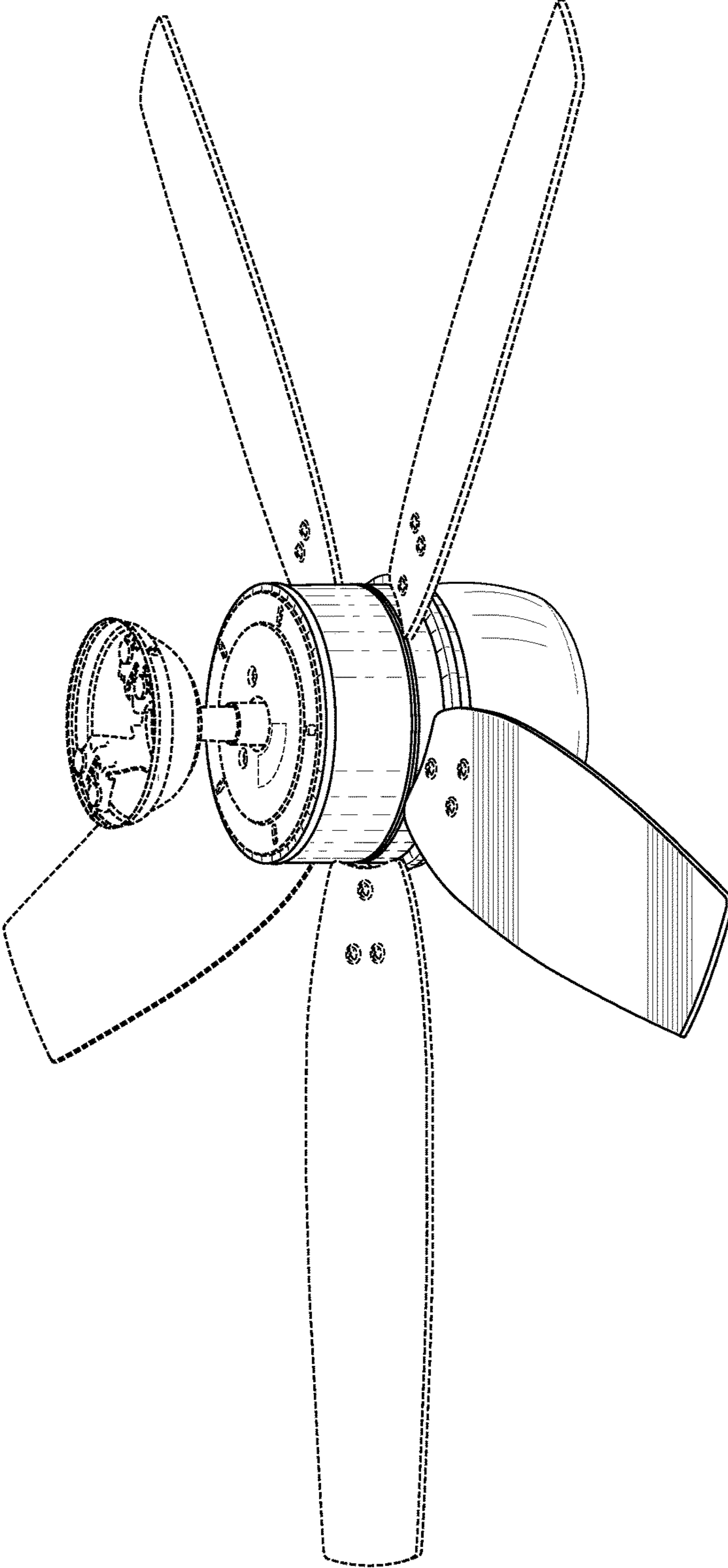


FIG.1

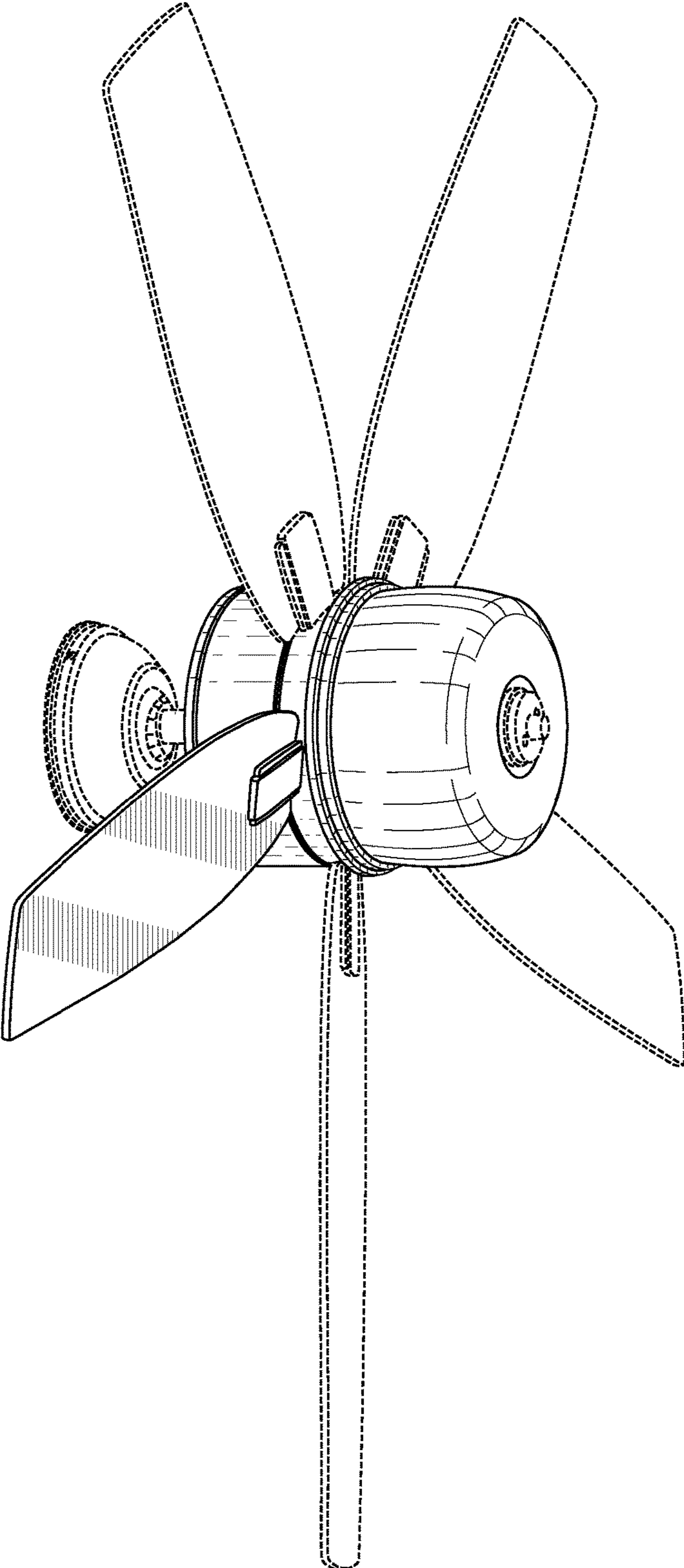


FIG. 2

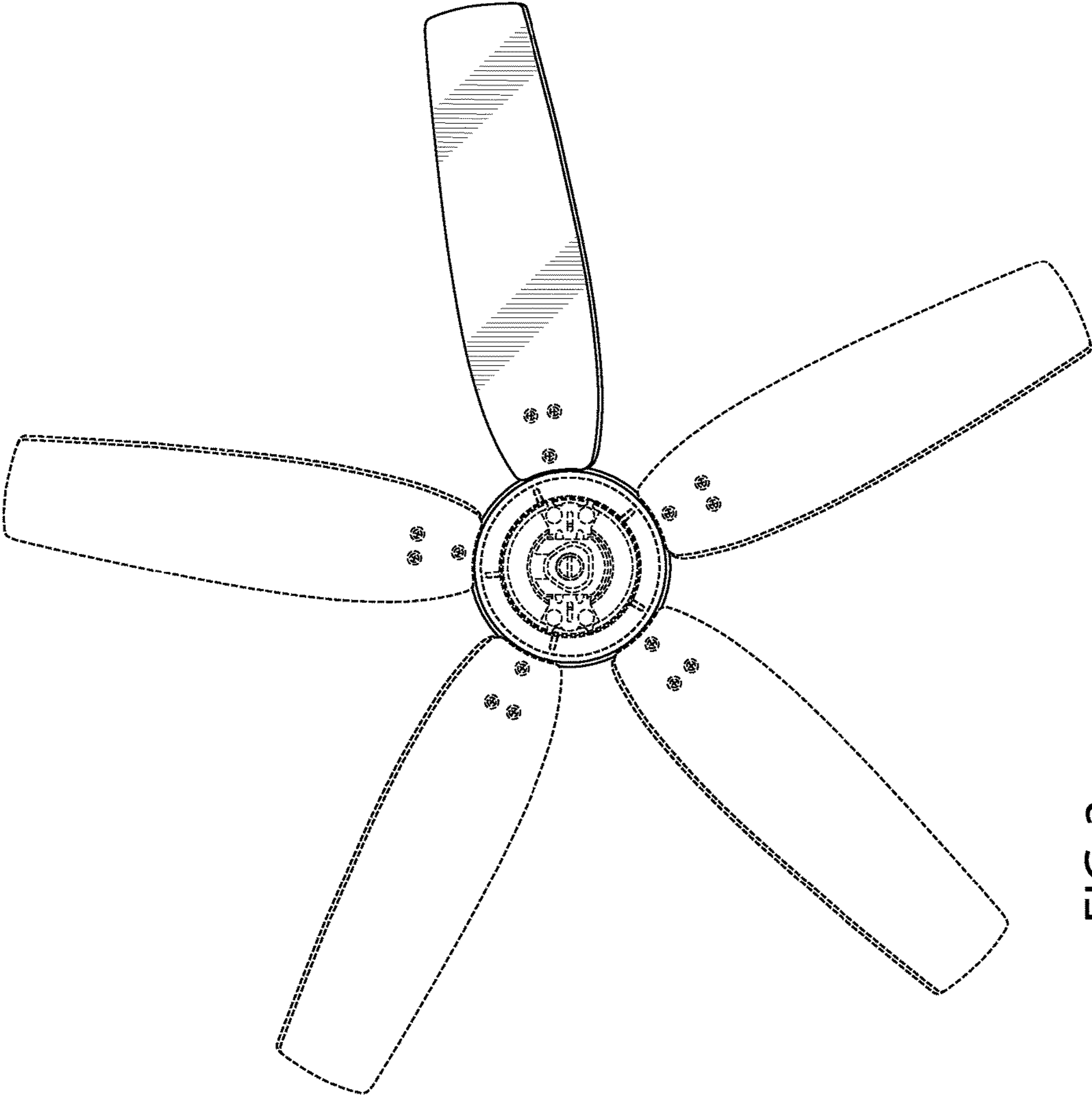


FIG. 3

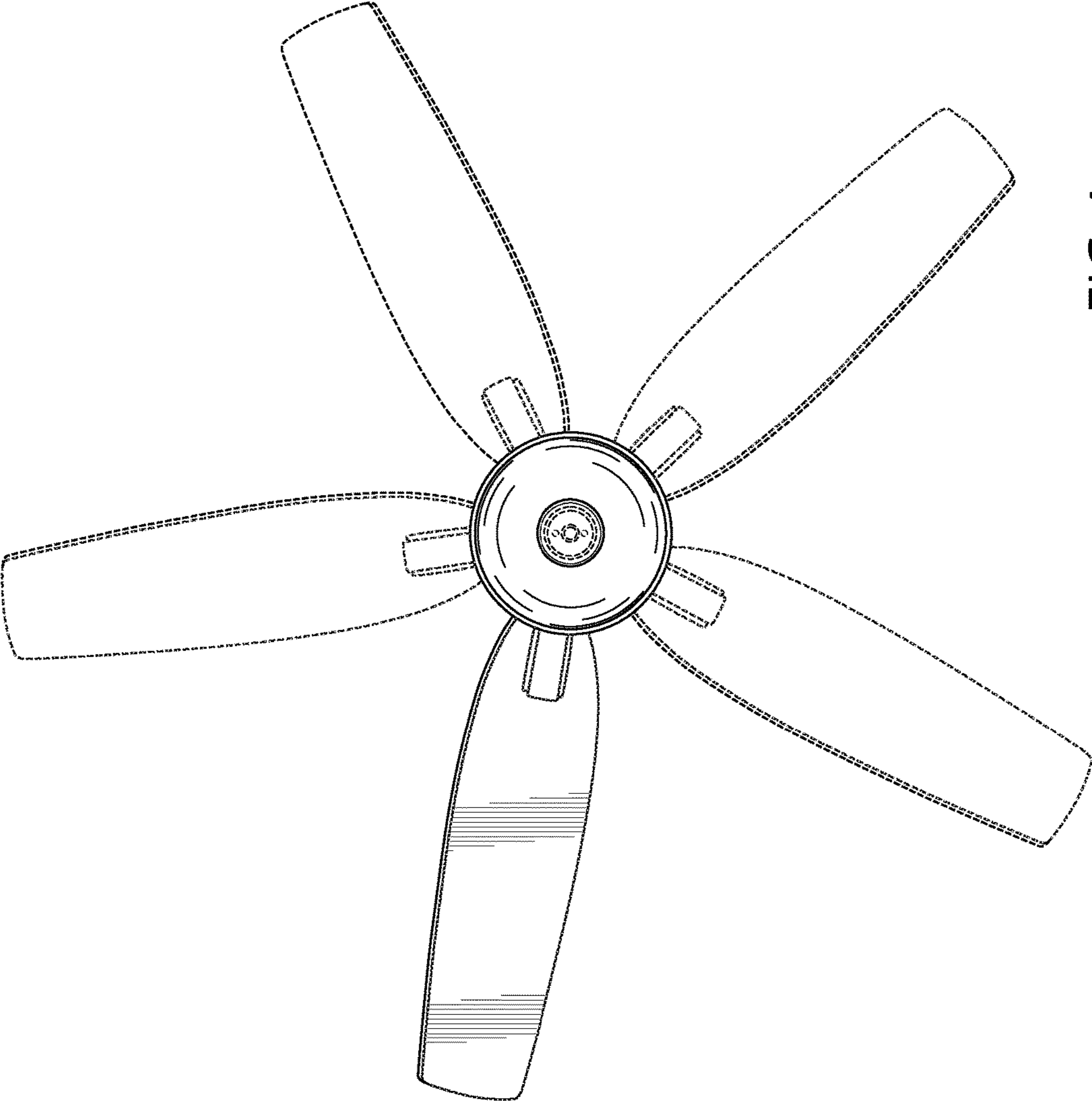


FIG. 4

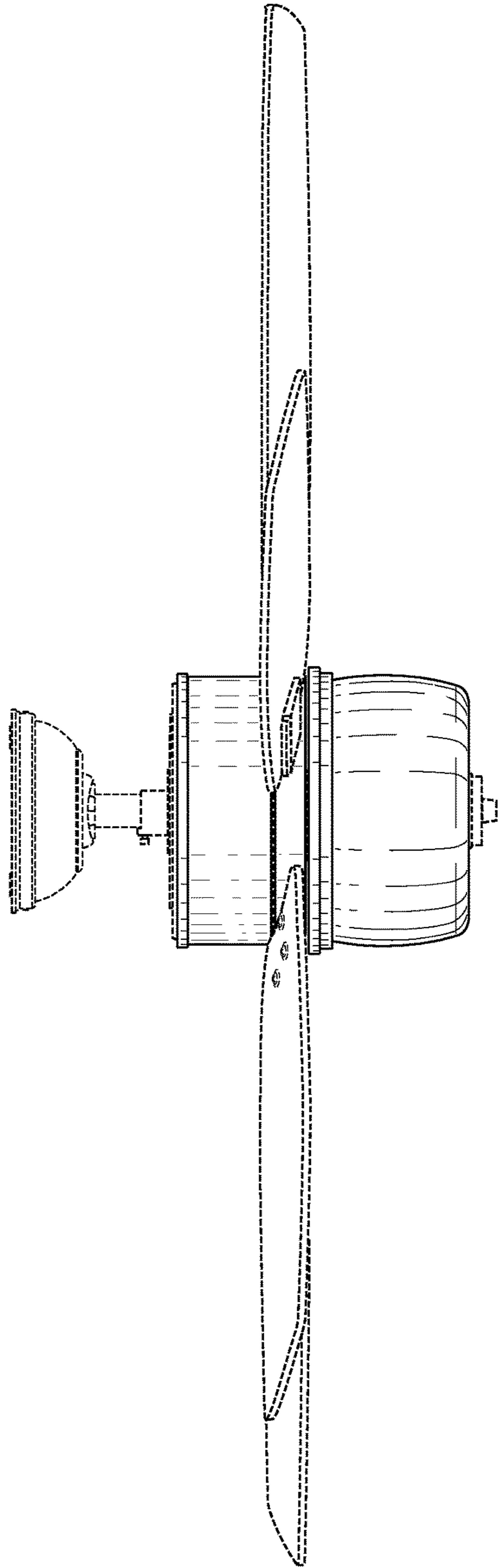


FIG.5

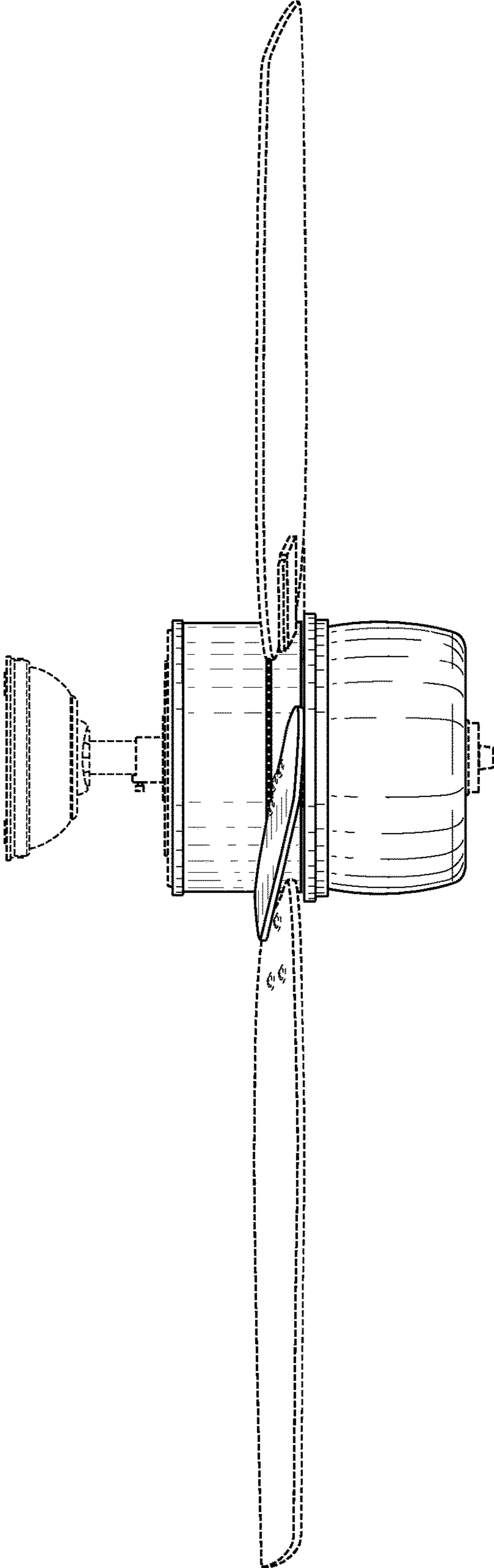


FIG.6



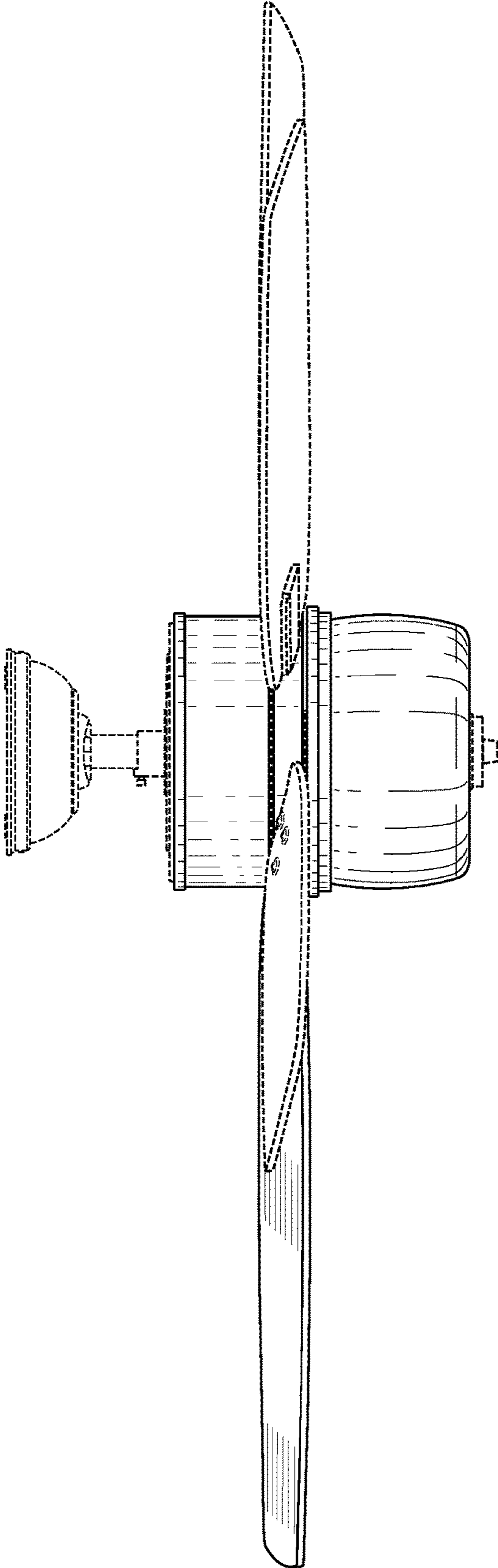


FIG. 7

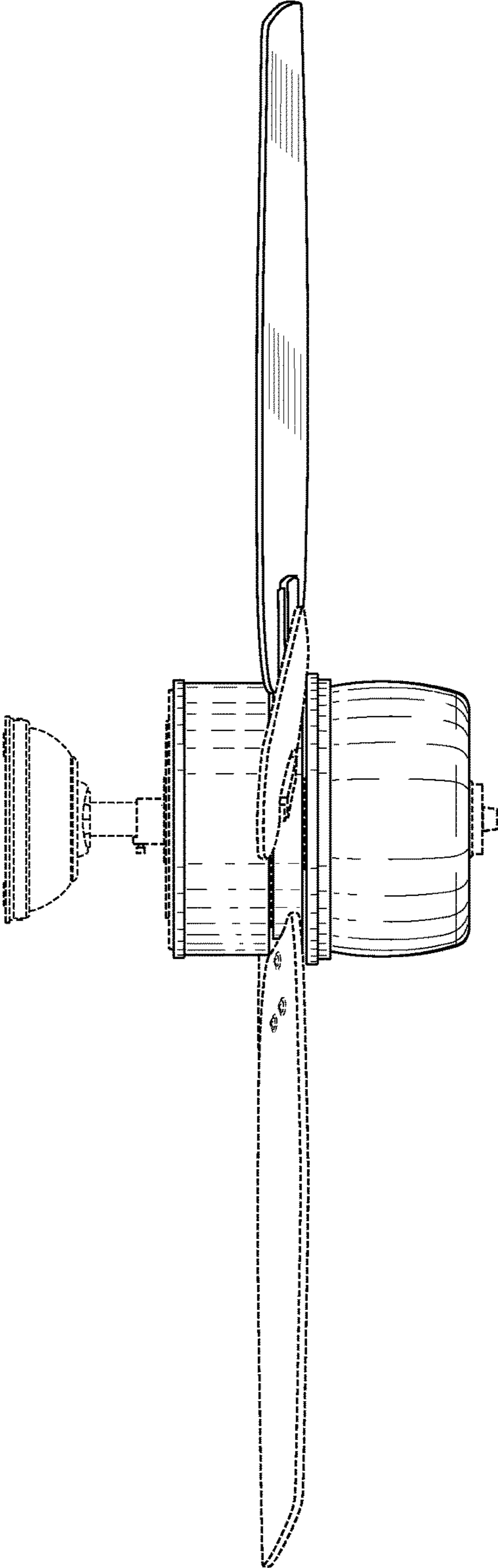


FIG. 8