



US00D809643S

(12) **United States Design Patent** (10) **Patent No.:** **US D809,643 S**  
**Gruber et al.** (45) **Date of Patent:** **\*\* Feb. 6, 2018**

(54) **BLOWER WHEEL DISC** D513,799 S \* 1/2006 Li ..... D23/411  
7,442,010 B2 \* 10/2008 Gruber ..... F04D 25/0613  
416/169 A  
(71) Applicant: **ebm-papst Mulfingen GmbH & Co.** D584,392 S \* 1/2009 Noda ..... D23/370  
**KG, Mulfingen (DE)** D594,955 S \* 6/2009 Noda ..... D23/370  
D596,736 S \* 7/2009 Lin ..... D23/383  
(72) Inventors: **Erhard Gruber, Satteldorf (DE);** D625,402 S \* 10/2010 Yen ..... D23/370  
**Alexander Konzal, Igersheim (DE)** D643,916 S \* 8/2011 Bohl ..... D23/370  
D644,315 S \* 8/2011 Bohl ..... D23/370  
(73) Assignee: **ebm-papst Mulfingen GmbH & Co.** D674,078 S \* 1/2013 Marin ..... D23/379  
**KG, Mulfingen (DE)** D701,597 S \* 3/2014 DeFilippis ..... D23/370  
8,807,949 B2 \* 8/2014 Hammel ..... F04D 29/281  
416/144  
(\*\*) Term: **15 Years** D772,392 S \* 11/2016 Gebert ..... D23/370  
2003/0198556 A1 \* 10/2003 Kim ..... B29C 45/33  
416/186 R

(21) Appl. No.: **29/572,671**

(22) Filed: **Jul. 29, 2016**

(30) **Foreign Application Priority Data**

Apr. 7, 2016 (EM) ..... 003268036-0002

(51) **LOC (11) Cl.** ..... **23-04**

(52) **U.S. Cl.**  
USPC ..... **D23/370; D23/414**

(58) **Field of Classification Search**  
USPC ..... D23/370-379, 381-385, 388, 212, 213,  
D23/223, 325, 229, 380, 324, 330, 332,  
D23/335, 353-369, 499; 416/5;  
392/364, 365; 415/204, 205  
CPC ..... F24F 2221/14; F24F 2221/34; F24F 7/00;  
F24F 7/06; F24F 7/065; F24F 7/08; F24F  
7/10; F24F 2007/001; F24F 2007/002;  
F24F 1/0022  
See application file for complete search history.

(56) **References Cited**

**U.S. PATENT DOCUMENTS**

D371,187 S \* 6/1996 Ryyananen ..... D23/210  
D410,707 S \* 6/1999 Krog ..... D21/488

\* cited by examiner

*Primary Examiner* — Mark Goodwin  
(74) *Attorney, Agent, or Firm* — Harness, Dickey &  
Pierce, P.L.C.

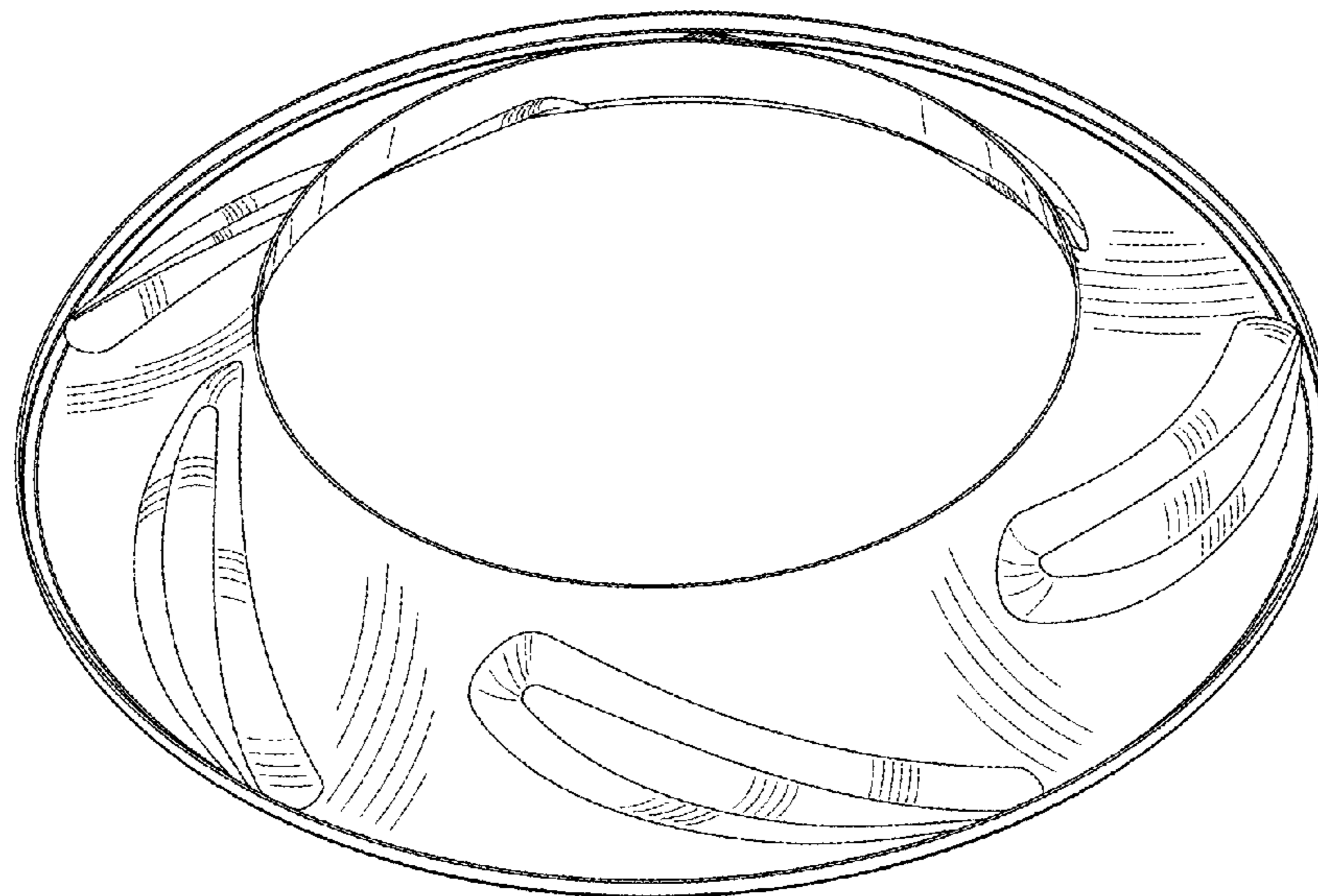
(57) **CLAIM**

The ornamental design for a blower wheel disc, as shown and described.

**DESCRIPTION**

FIG. 1 is a perspective side view of a blower wheel disc showing our new design;  
FIG. 2 is a perspective side view of the invention;  
FIG. 3 is a bottom view of the invention;  
FIG. 4 is a side view of the invention;  
FIG. 5 is a side view of the invention;  
FIG. 6 is a side view of the invention;  
FIG. 7 is a side view of the invention; and,  
FIG. 8 is a top view of the invention.

**1 Claim, 4 Drawing Sheets**



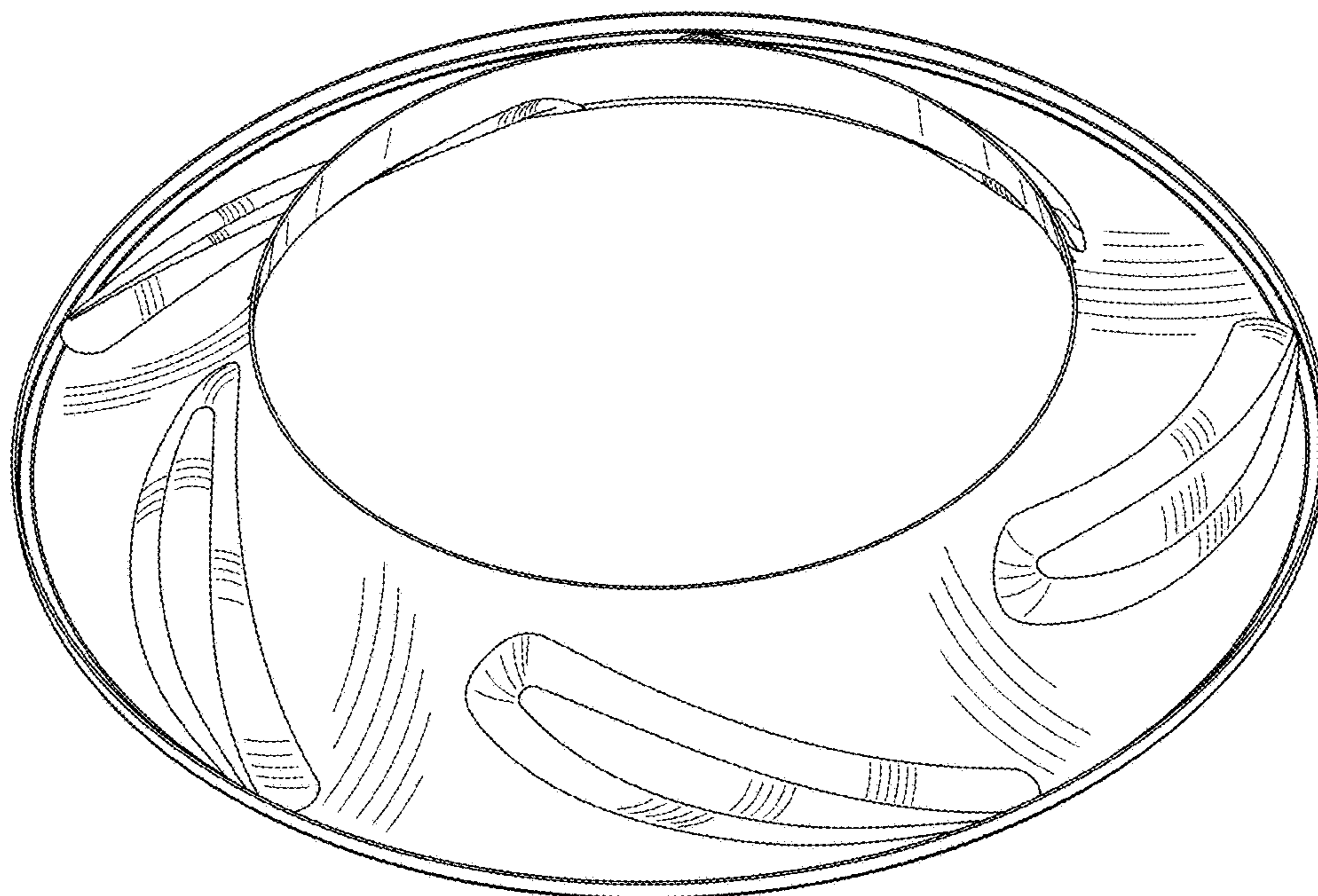


FIG - 1

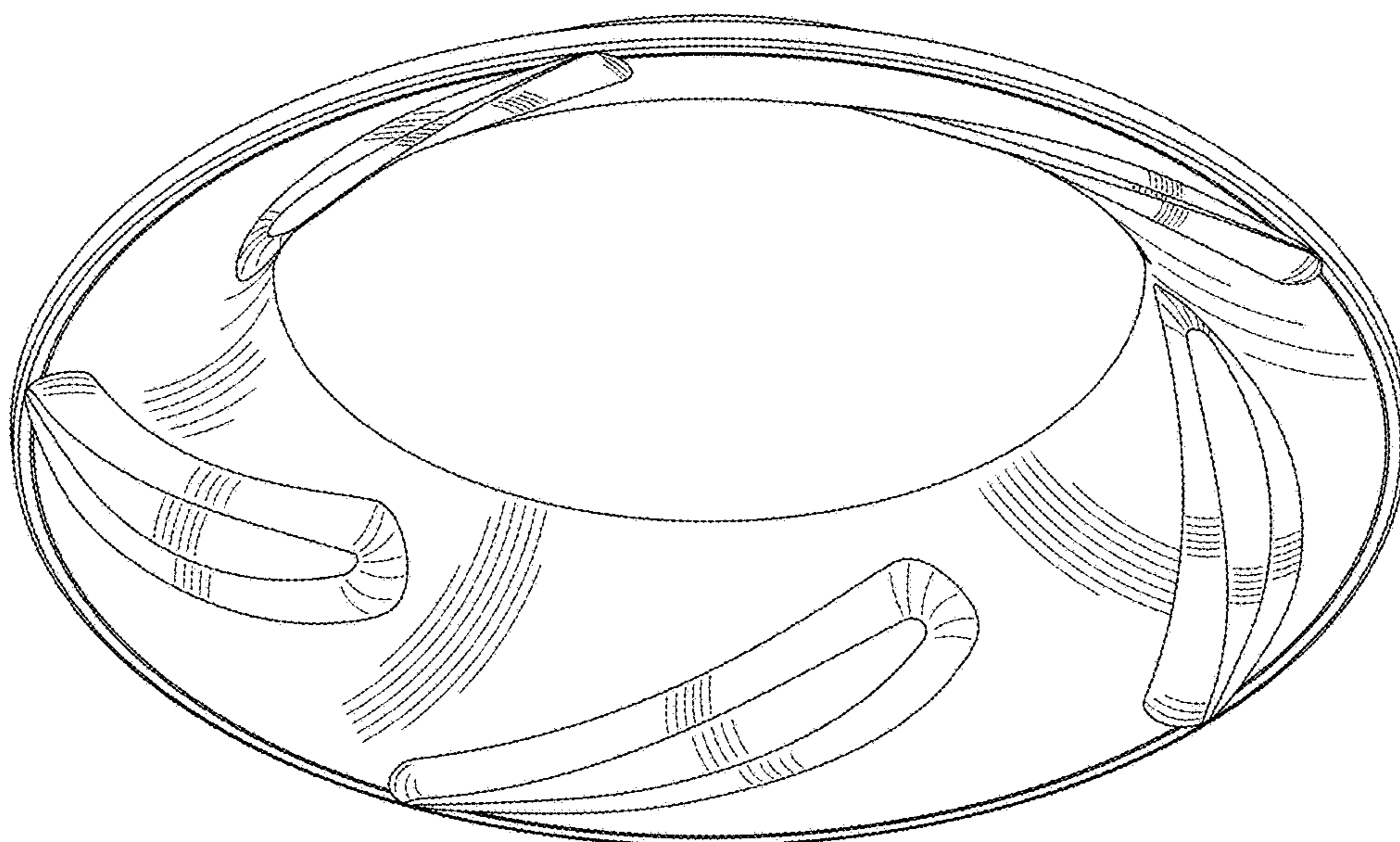


FIG - 2



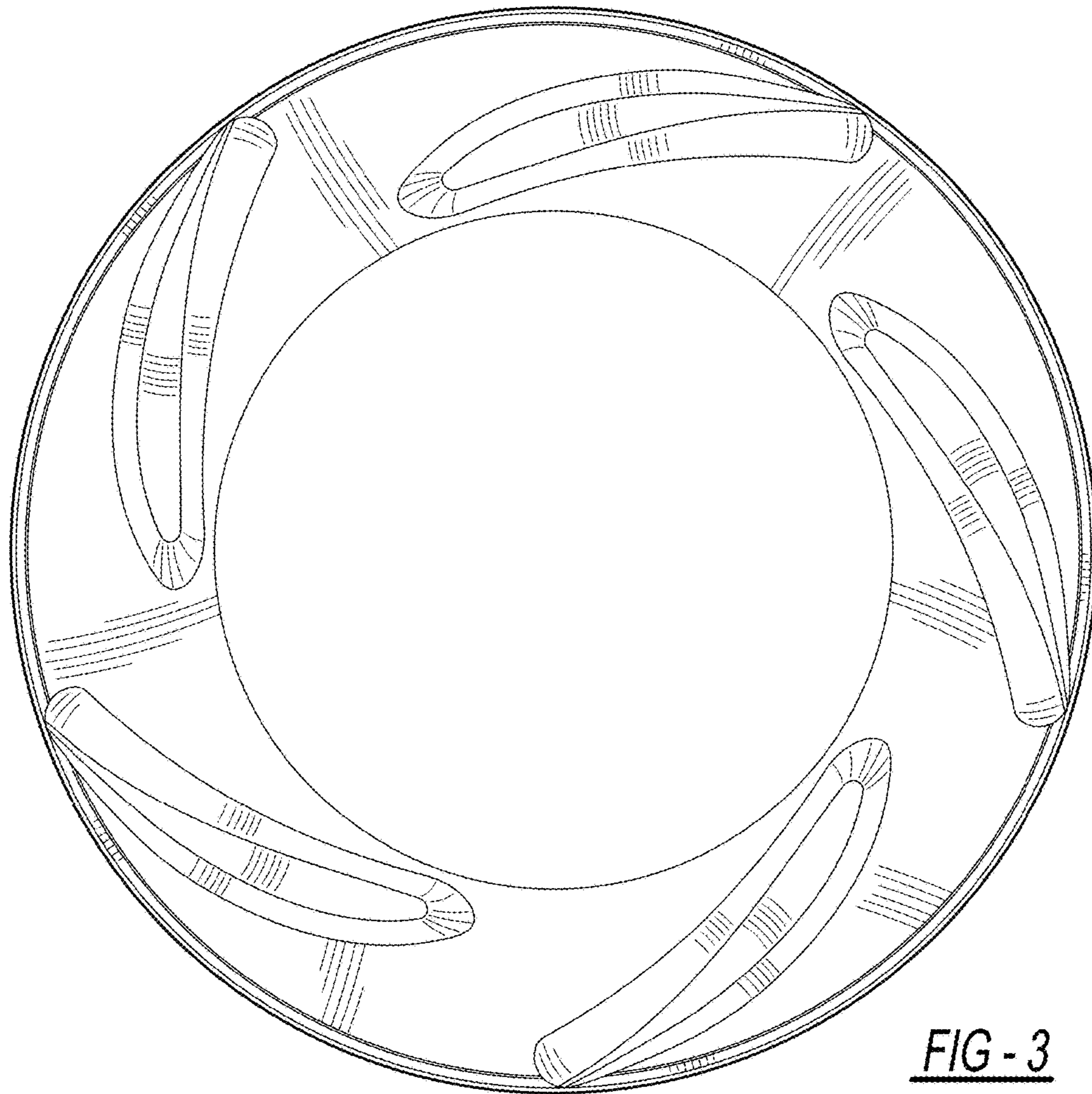


FIG - 3

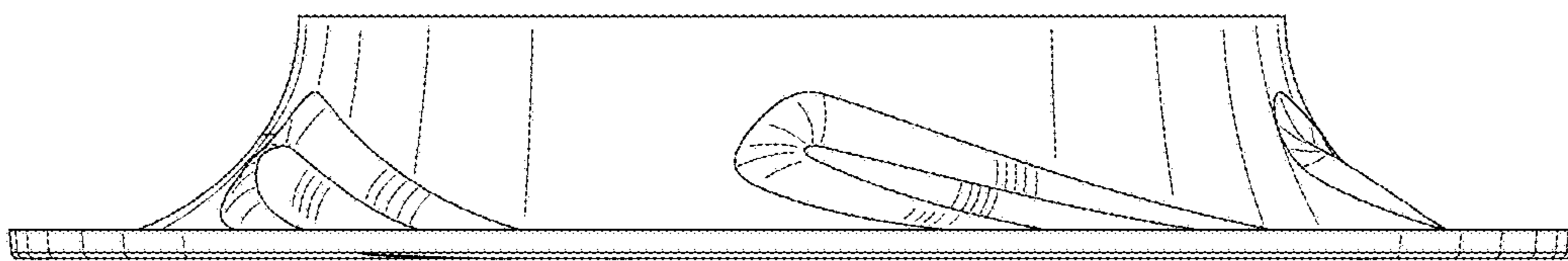


FIG - 4

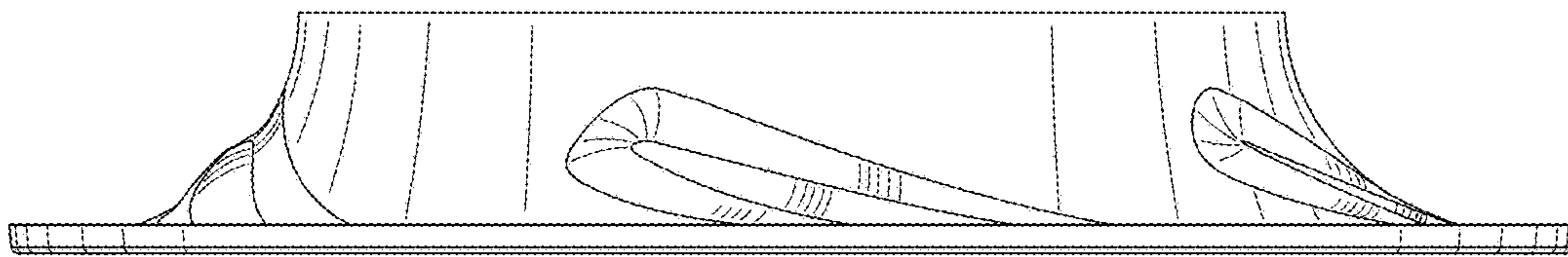


FIG - 5

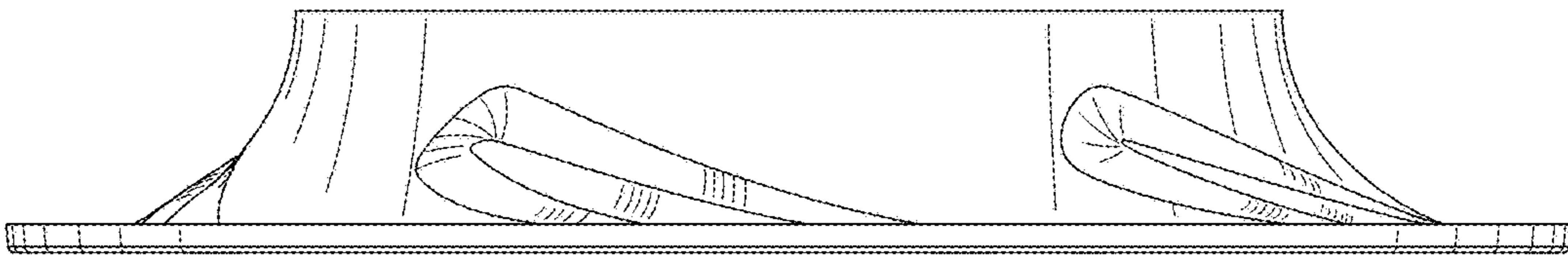


FIG - 6

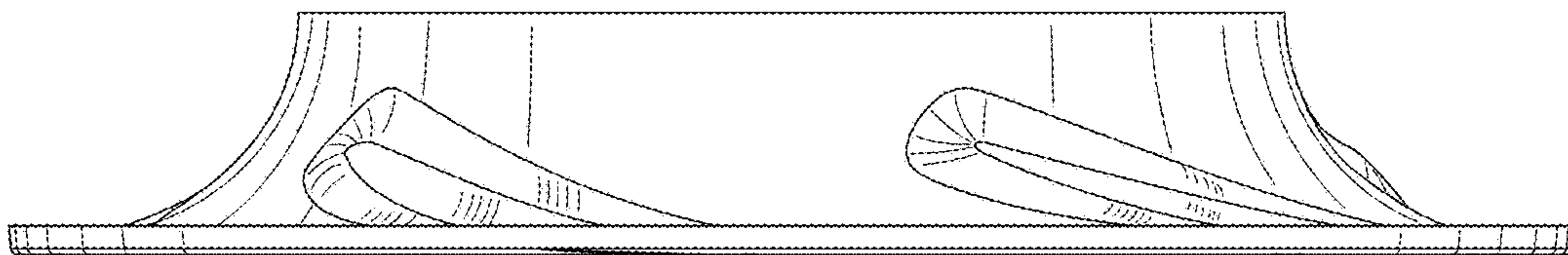


FIG - 7



FIG - 8