



US00D809639S

(12) **United States Design Patent** (10) **Patent No.:** **US D809,639 S**
Chiasson et al. (45) **Date of Patent:** **** Feb. 6, 2018**

(54) **CASING FOR AN AIR CONDITIONING UNIT**

(71) Applicants: **Denis Chiasson**, Repentigny (CA);
Jonathan Ferland, L'Epiphanie (CA)

(72) Inventors: **Denis Chiasson**, Repentigny (CA);
Jonathan Ferland, L'Epiphanie (CA)

(**) Term: **15 Years**

(21) Appl. No.: **29/558,403**

(22) Filed: **Mar. 17, 2016**

(51) **LOC (11) Cl.** **23-04**

(52) **U.S. Cl.**
USPC **D23/351**

(58) **Field of Classification Search**
USPC D23/333, 335, 341, 342, 351, 353-356,
D23/359, 364, 365, 370, 385, 386, 388,
D23/393
CPC F24F 1/00; F24F 1/0007; F24F 1/02; F24F
1/08; F24F 1/42; F24F 1/56; F24F 1/60;
F24F 3/044; F24F 3/048; F24F 3/16;
F24F 7/00; F24F 7/04; F24F 12/001;
F24F 12/006
See application file for complete search history.

(56) **References Cited**

U.S. PATENT DOCUMENTS

3,040,538 A 6/1962 Alsing
D198,821 S * 8/1964 Hoyle D23/351
3,299,657 A 1/1967 Malkoff et al.

3,320,765 A 5/1967 Chapple et al.
3,777,506 A 12/1973 Hergatt et al.
D278,847 S * 5/1985 Hoyle D23/351
5,187,945 A 2/1993 Dixon
6,295,826 B1 10/2001 Lee
6,345,512 B1 2/2002 Cosley et al.
D529,594 S * 10/2006 Pruitt D23/351
D547,849 S * 7/2007 Francisquini D23/351
D558,317 S * 12/2007 Francisquini D23/351
D575,857 S * 8/2008 Chiu D23/333
7,478,541 B2 1/2009 Manole et al.
8,117,864 B2 2/2012 Montminy et al.
D702,335 S * 4/2014 Saitou D23/351
D777,891 S * 1/2017 Kubota D23/351
2010/0031676 A1 2/2010 Urbain

* cited by examiner

Primary Examiner — George D. Kirschbaum
Assistant Examiner — Natasha Vujcic

(57) **CLAIM**

The ornamental design for a casing for an air conditioning unit, as shown.

DESCRIPTION

FIG. 1 is a front isometric view of a casing for an conditioning unit;
FIG. 2 is an isometric view favoring the rear;
FIG. 3 is a rear elevational view;
FIG. 4 is a front elevational view; and,
FIG. 5 is a right side elevational view, wherein the left side elevation side elevation view is a mirror image thereof.

1 Claim, 5 Drawing Sheets

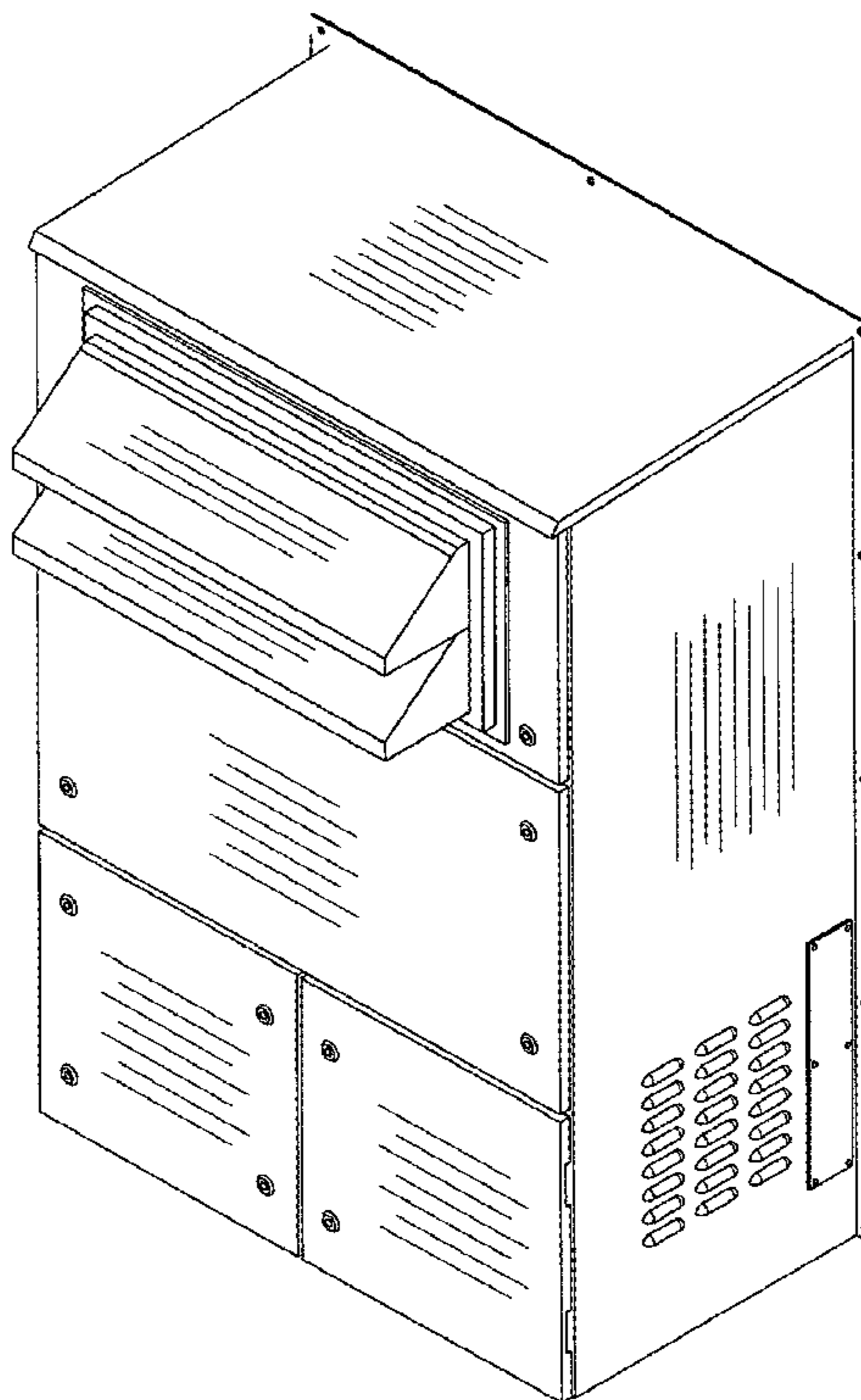


FIG. 1

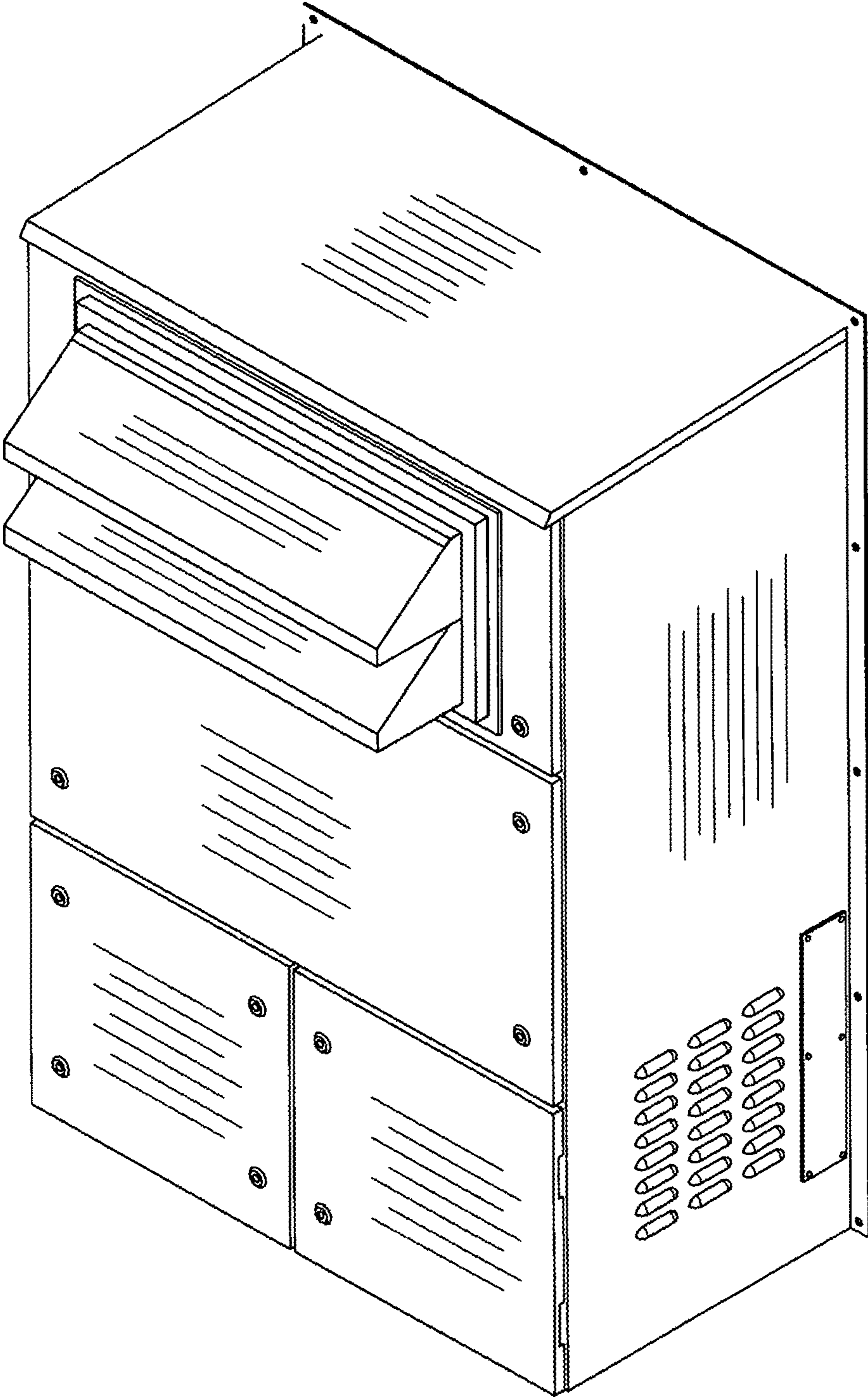


FIG. 2

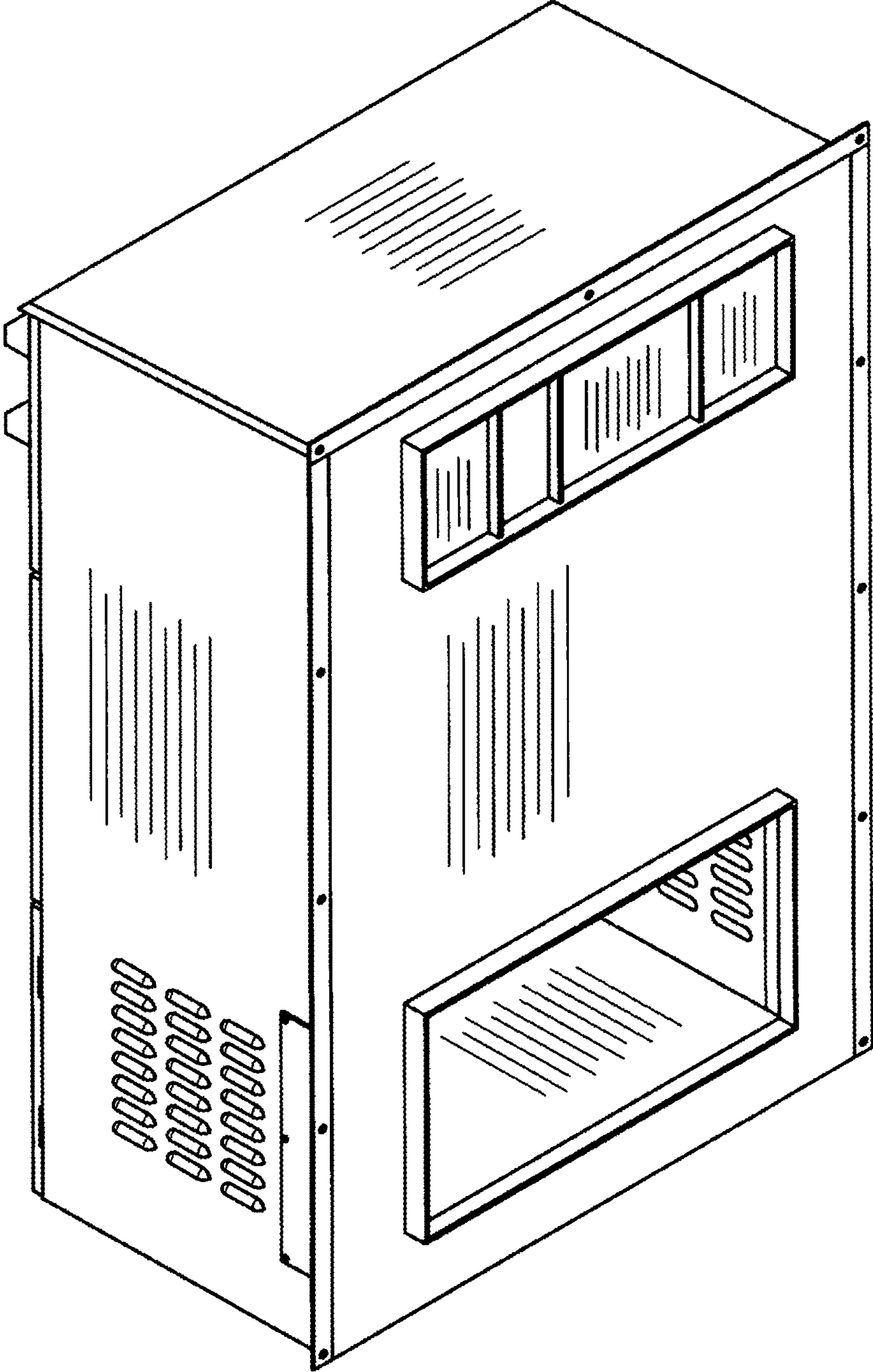


FIG. 3

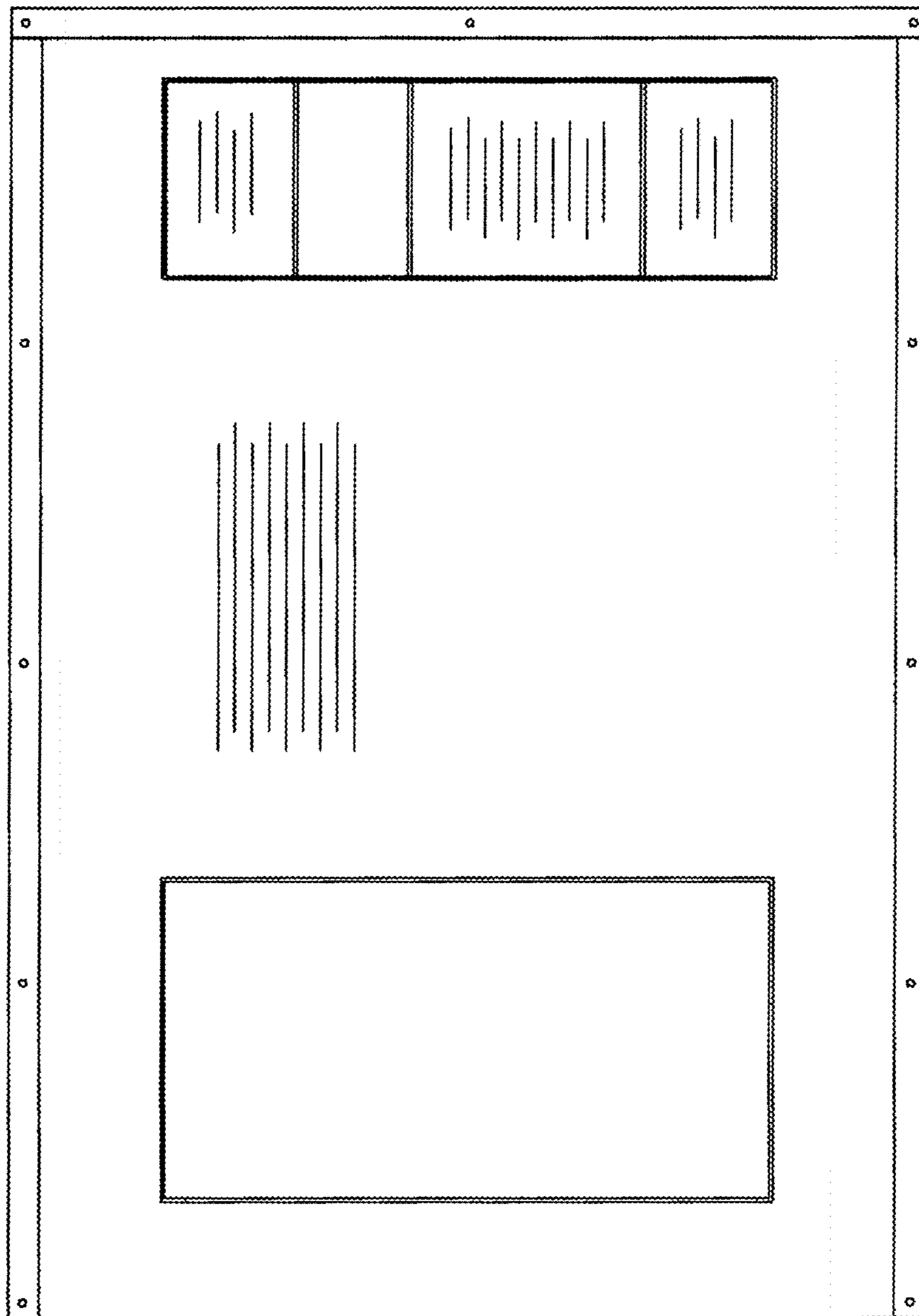


FIG. 4

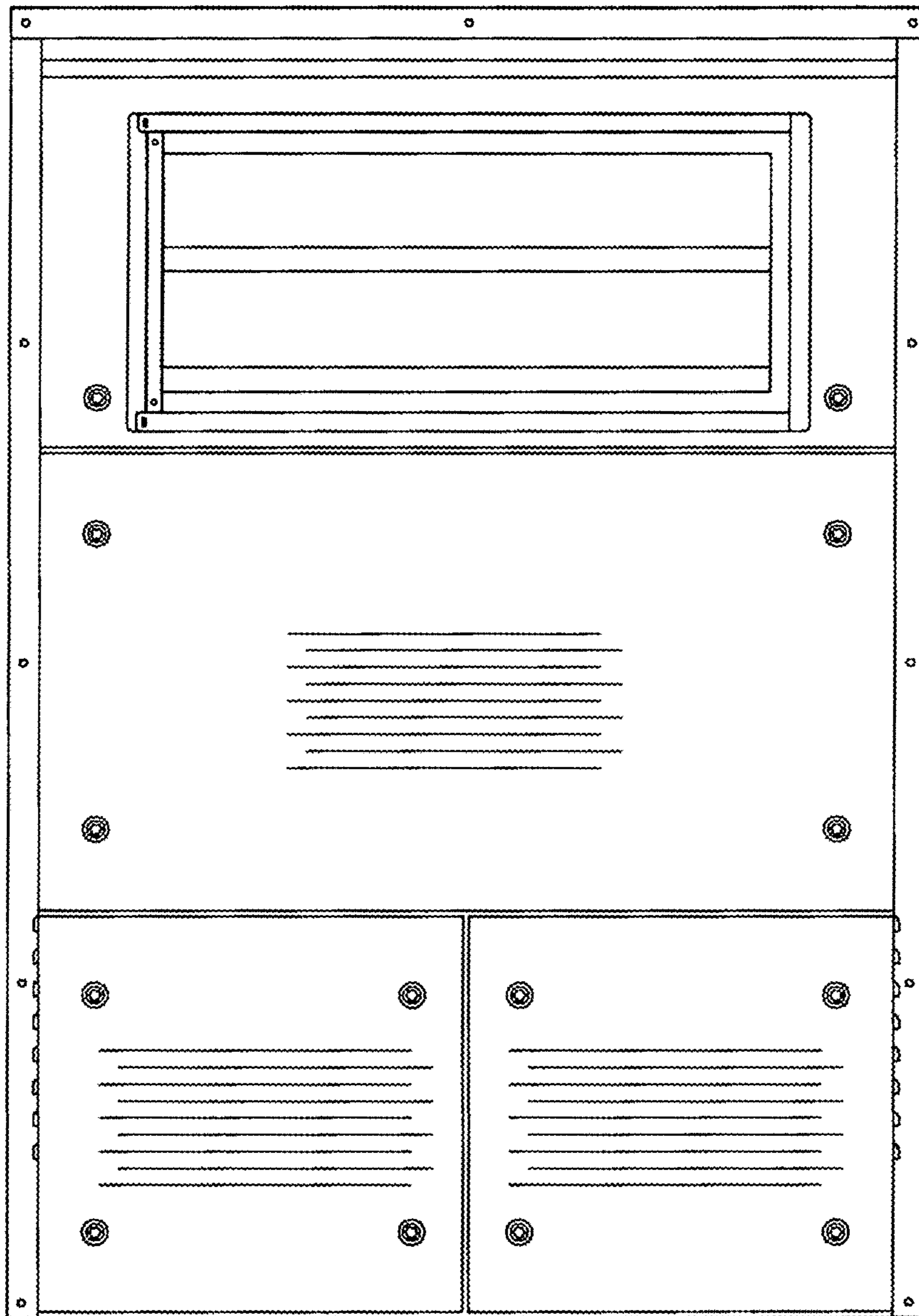


FIG. 5

