



US00D809637S

(12) **United States Design Patent** (10) **Patent No.:** **US D809,637 S**
Yamashita et al. (45) **Date of Patent:** **** Feb. 6, 2018**

(54) **TOILET SEAT WITH WATER SPRAY**
(71) Applicant: **KATAKURA INDUSTRIES CO., LTD.**, Tokyo (JP)
(72) Inventors: **Masanori Yamashita**, Tokyo (JP); **Toshihiro Akutsu**, Tokyo (JP); **Tatsuya Takebe**, Tokyo (JP); **Yoshika Yokoyama**, Tokyo (JP); **Shigeru Oyama**, Tokyo (JP)
(73) Assignee: **KATAKURA INDUSTRIES CO., LTD.**, Chuo-ku, Tokyo (JP)
(**) Term: **15 Years**
(21) Appl. No.: **35/500,715**
(22) Filed: **Sep. 14, 2015**
(80) **Hague Agreement Data**
Int. Filing Date: **Sep. 14, 2015**
Int. Reg. No.: **DM/087628**
Int. Reg. Date: **Sep. 14, 2015**
Int. Reg. Pub. Date: **Mar. 18, 2016**

(30) **Foreign Application Priority Data**
Mar. 16, 2015 (JP) 2015-005627
Mar. 16, 2015 (JP) 2015-005628
(51) **LOC (11) Cl.** **23-02**
(52) **U.S. Cl.**
USPC **D23/311**
(58) **Field of Classification Search**
USPC D32/311
CPC A47K 13/105; A47K 13/30; A47K 2010/328; A47K 2010/0293
See application file for complete search history.

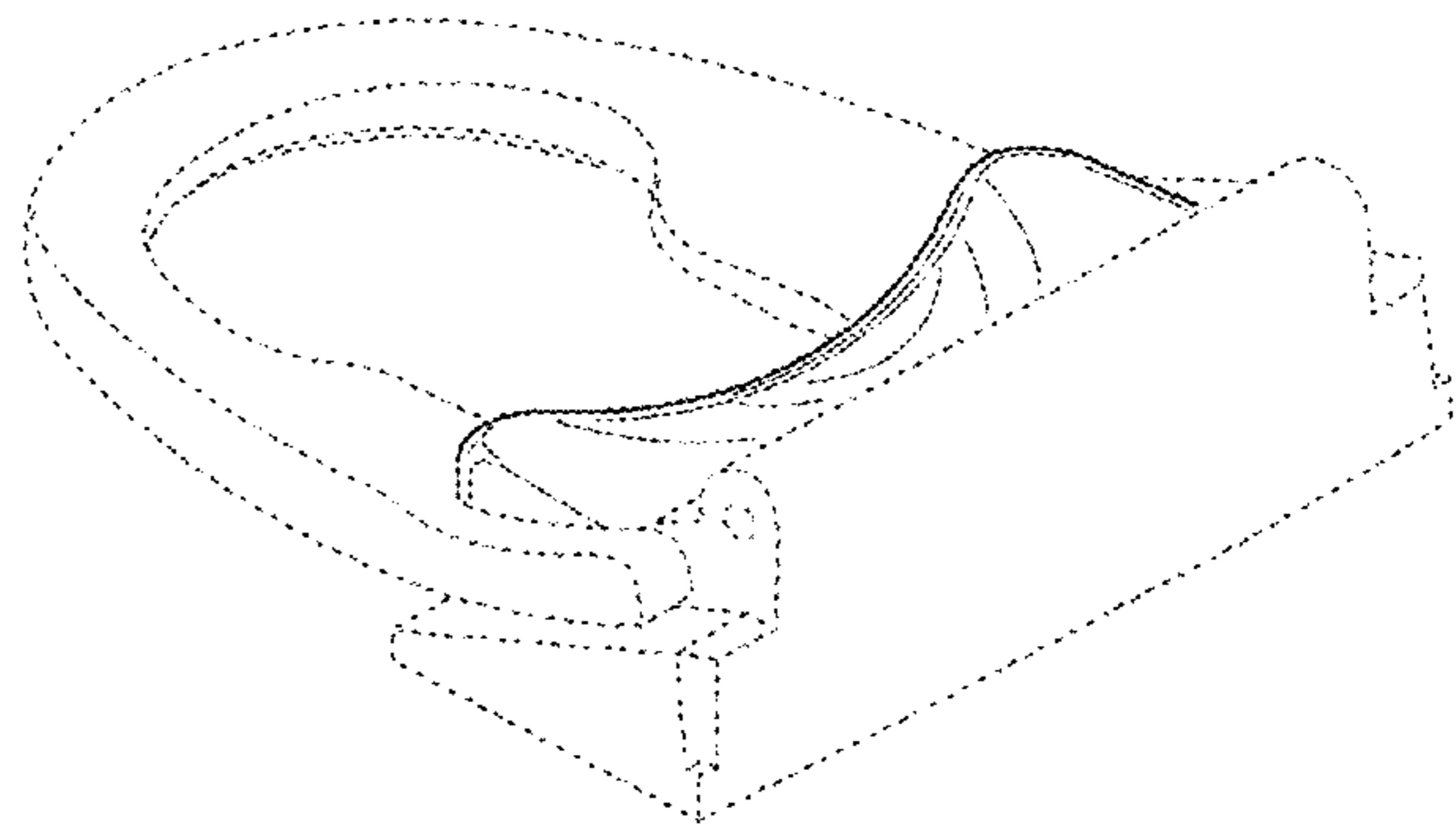
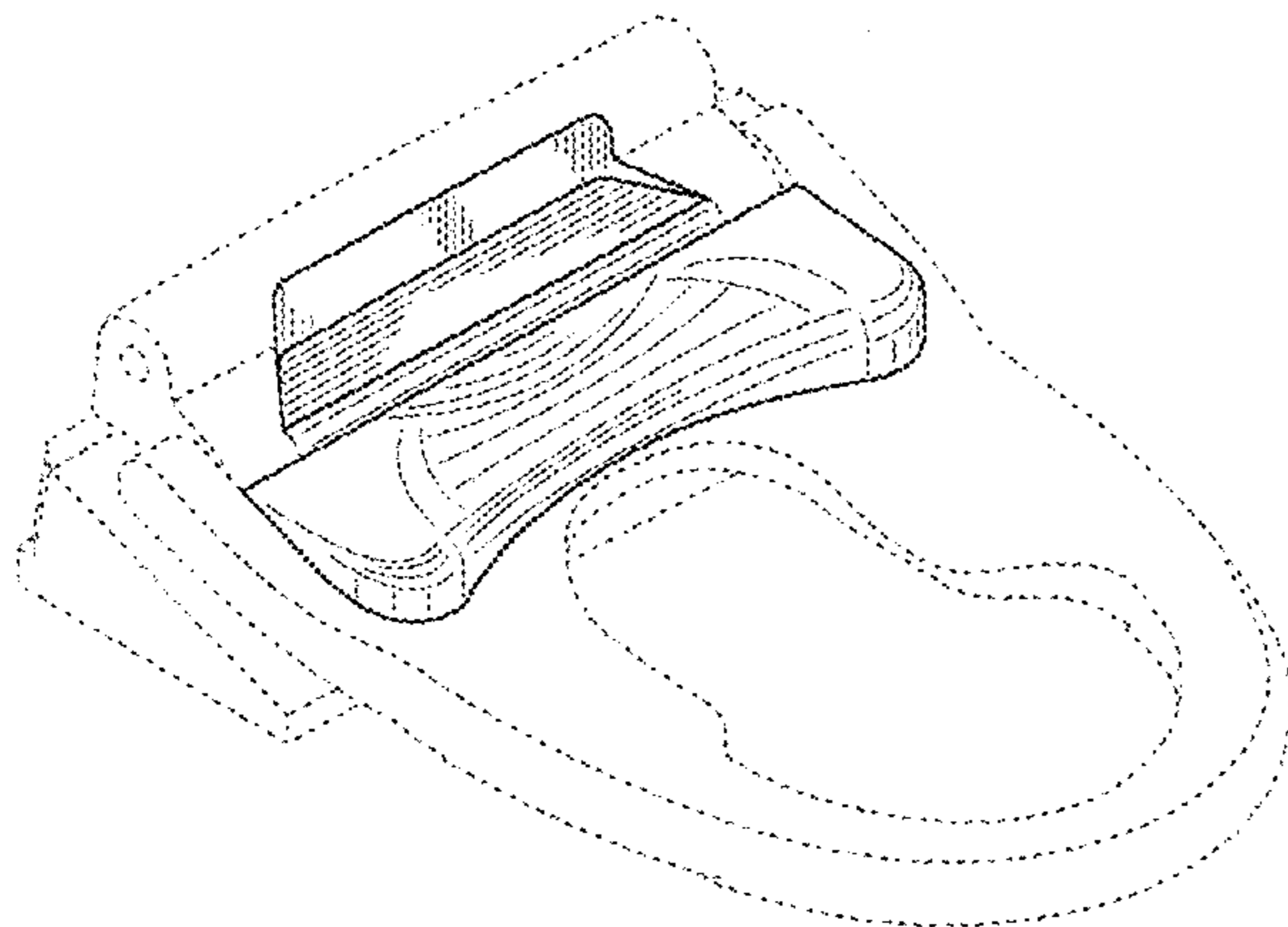
(56) **References Cited**
U.S. PATENT DOCUMENTS
6,076,198 A * 6/2000 Meierdierck A47K 13/225
4/243.1
6,178,568 B1 * 1/2001 Boulieris E03D 9/08
4/420.4
D704,317 S * 5/2014 Shinozaki D23/311
9,428,898 B1 * 8/2016 Clements E03D 9/08
9,551,139 B2 * 1/2017 Todd, IV E03D 9/00
2008/0301865 A1 * 12/2008 Hand E03D 9/052
4/216
2010/0083430 A1 * 4/2010 Chen A47K 13/24
4/237
2013/0133131 A1 * 5/2013 Peng A47K 13/24
4/444
2016/0289945 A1 * 10/2016 Seneff E03D 13/00
2017/0058500 A1 * 3/2017 Garrels E03D 9/005

* cited by examiner
Primary Examiner — Michael A Pratt
(74) *Attorney, Agent, or Firm* — Sughrue Mion, PLLC

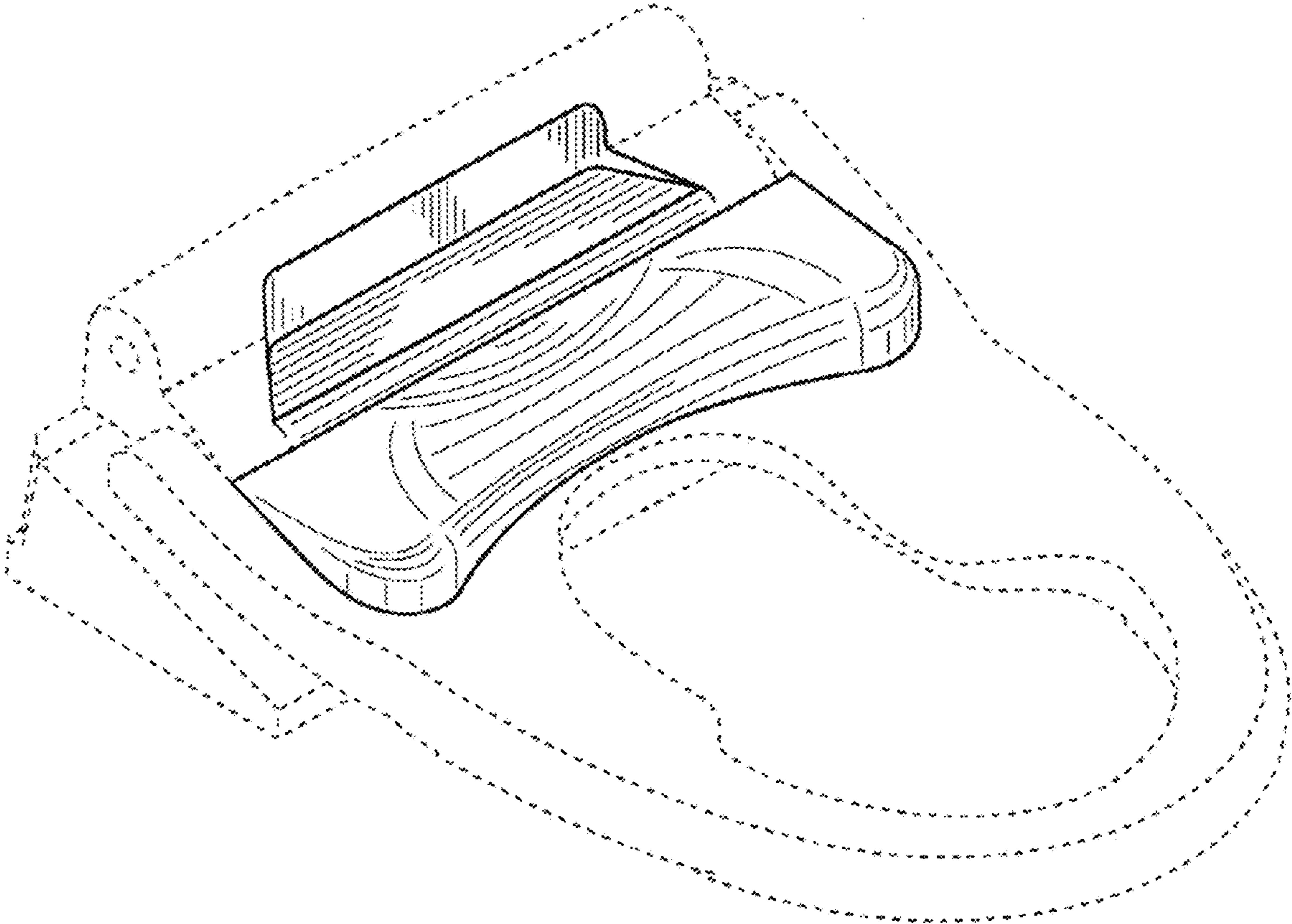
(57) **CLAIM**
The ornamental design for a toilet seat with water spray, as shown and described.

DESCRIPTION
2. Toilet seats with water spray
2.1 : Perspective
2.2 : Perspective
2.3 : Front
2.4 : Back
2.5 : Top
2.6 : Bottom
2.7 : Right
The broken lines in the figure form no part of the claimed design (disclaimer).

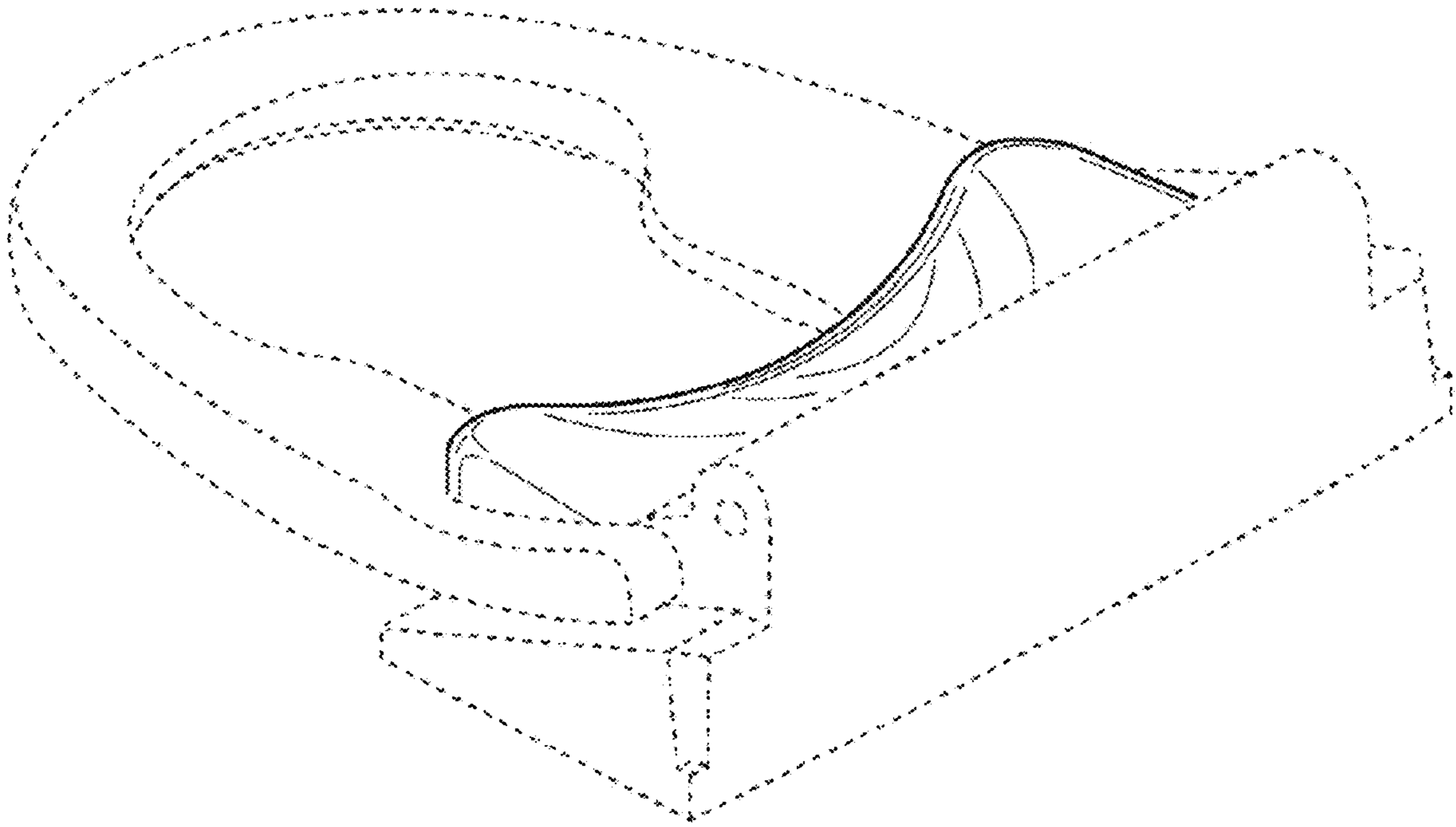
1 Claim, 7 Drawing Sheets



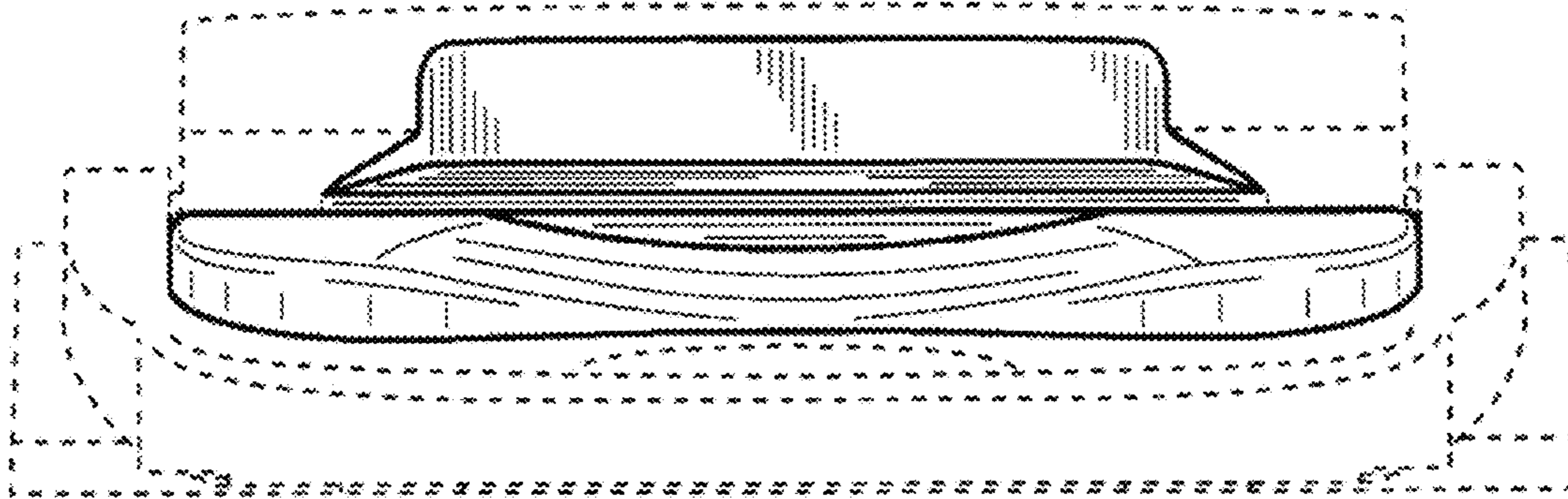
2.1



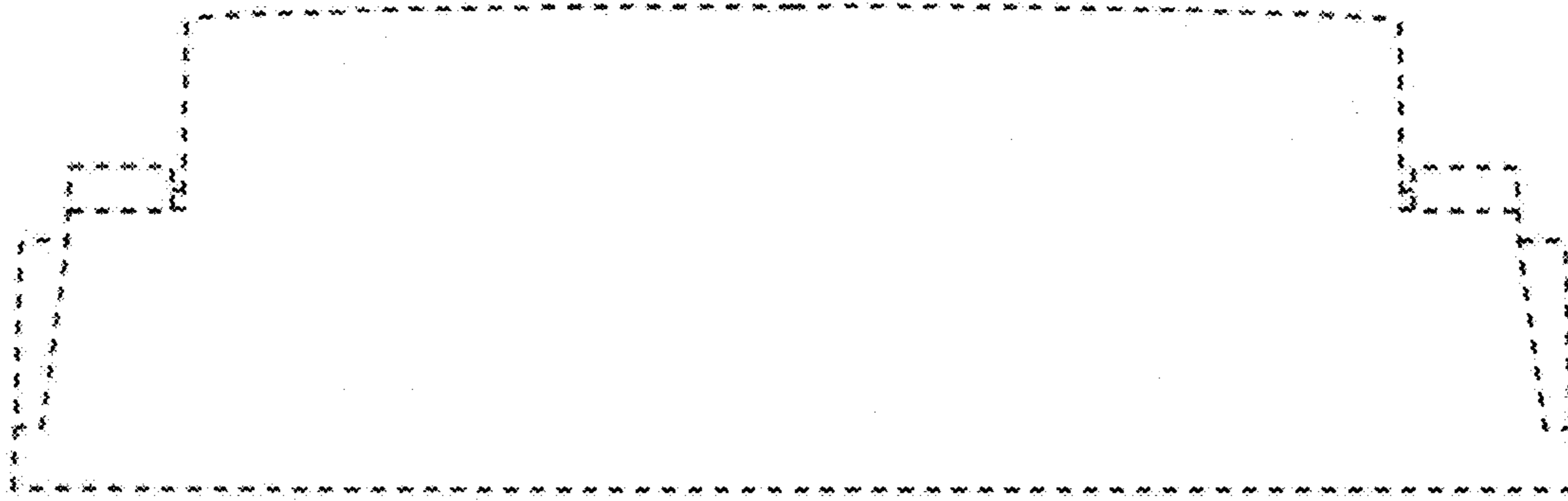
2.2



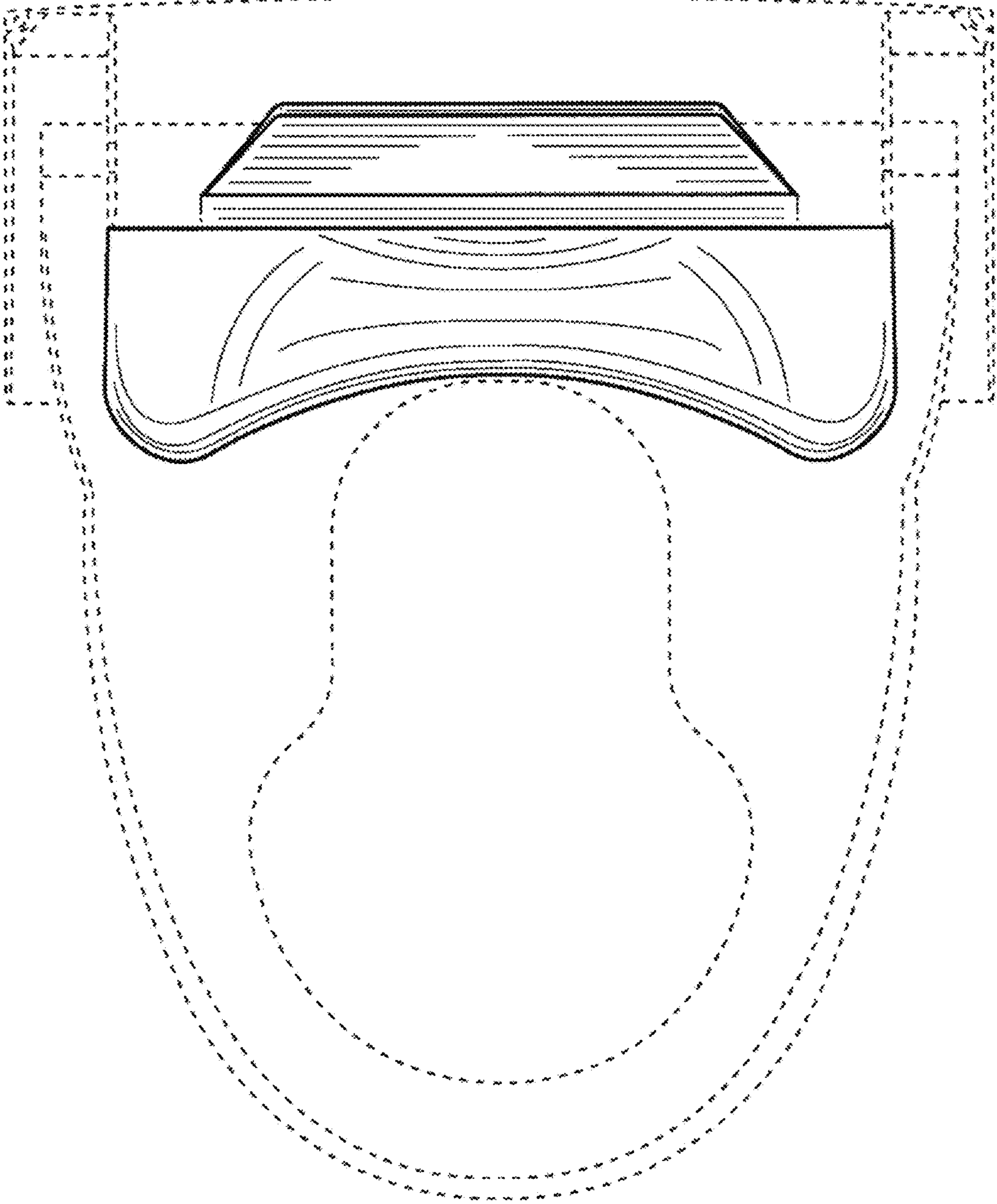
2.3



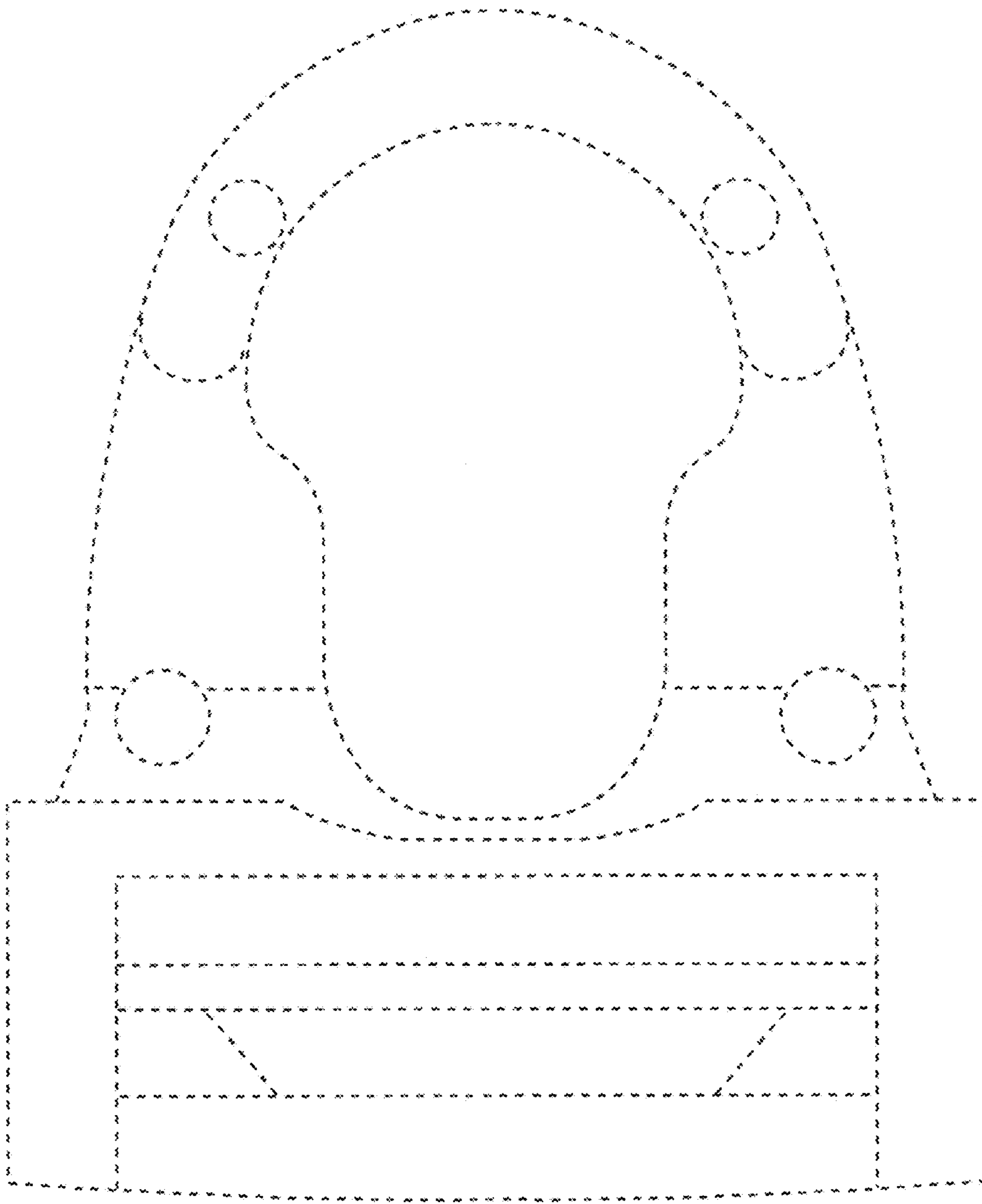
2.4



2.5



2.6



2.7

