



US00D809634S

(12) **United States Design Patent**  
**Brandli**

(10) **Patent No.:** **US D809,634 S**

(45) **Date of Patent:** **\*\* \*Feb. 6, 2018**

(54) **LAVATORY BASIN**

D745,122 S \* 12/2015 Schonherr ..... D23/284  
D745,951 S \* 12/2015 Schonherr ..... D23/284  
D791,288 S \* 7/2017 Schonherr ..... D23/284

(71) Applicant: **Willoughby Industries Inc,**  
Indianapolis, IN (US)

(72) Inventor: **Timothy Brandli,** Zionsville, IN (US)

(73) Assignee: **Willoughby Industries Inc.,**  
Indianapolis, IN (US)

(\*) Notice: This patent is subject to a terminal disclaimer.

(\*\*) Term: **15 Years**

(21) Appl. No.: **29/580,436**

(22) Filed: **Oct. 10, 2016**

(51) **LOC (11) Cl.** ..... **23-02**

(52) **U.S. Cl.**  
USPC ..... **D23/284**

(58) **Field of Classification Search**  
USPC ..... D23/284–293.1, 303, 308  
CPC ..... A47K 1/04; A47B 77/06; A47J 47/20  
See application file for complete search history.

(56) **References Cited**

**U.S. PATENT DOCUMENTS**

D507,334 S \* 7/2005 Ferrer Beltran ..... D23/293.1  
D598,081 S \* 8/2009 Soulier ..... D23/284  
D721,426 S \* 1/2015 Bartlett ..... D23/290  
D744,620 S \* 12/2015 Adkison ..... D23/284

**OTHER PUBLICATIONS**

Willoughby Lavatory found online [Aug. 2, 2017]—<http://www.pmengineer.com/articles/93052-lavatory-system-from-willoughby-industries>.\*

\* cited by examiner

*Primary Examiner* — Robert M. Spear

*Assistant Examiner* — John A Voytek

(74) *Attorney, Agent, or Firm* — Woodard, Emhardt, Moriarty, McNett & Henry LLP

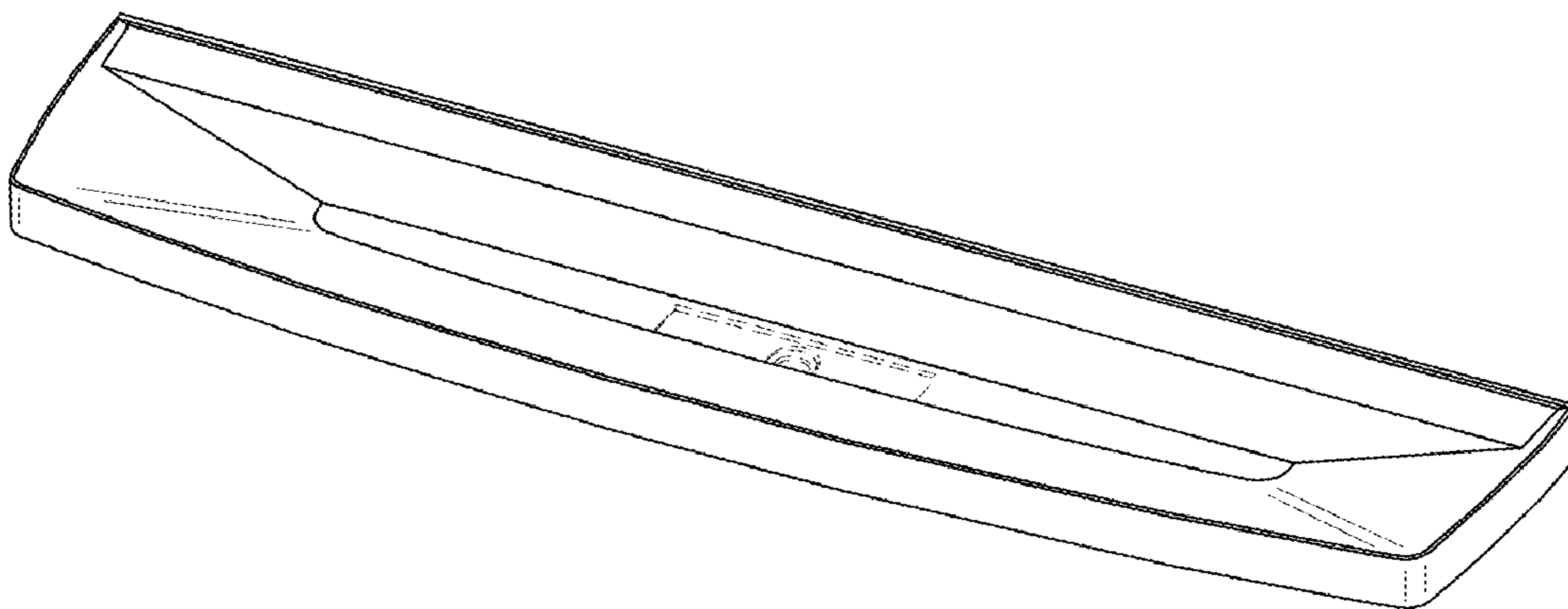
(57) **CLAIM**

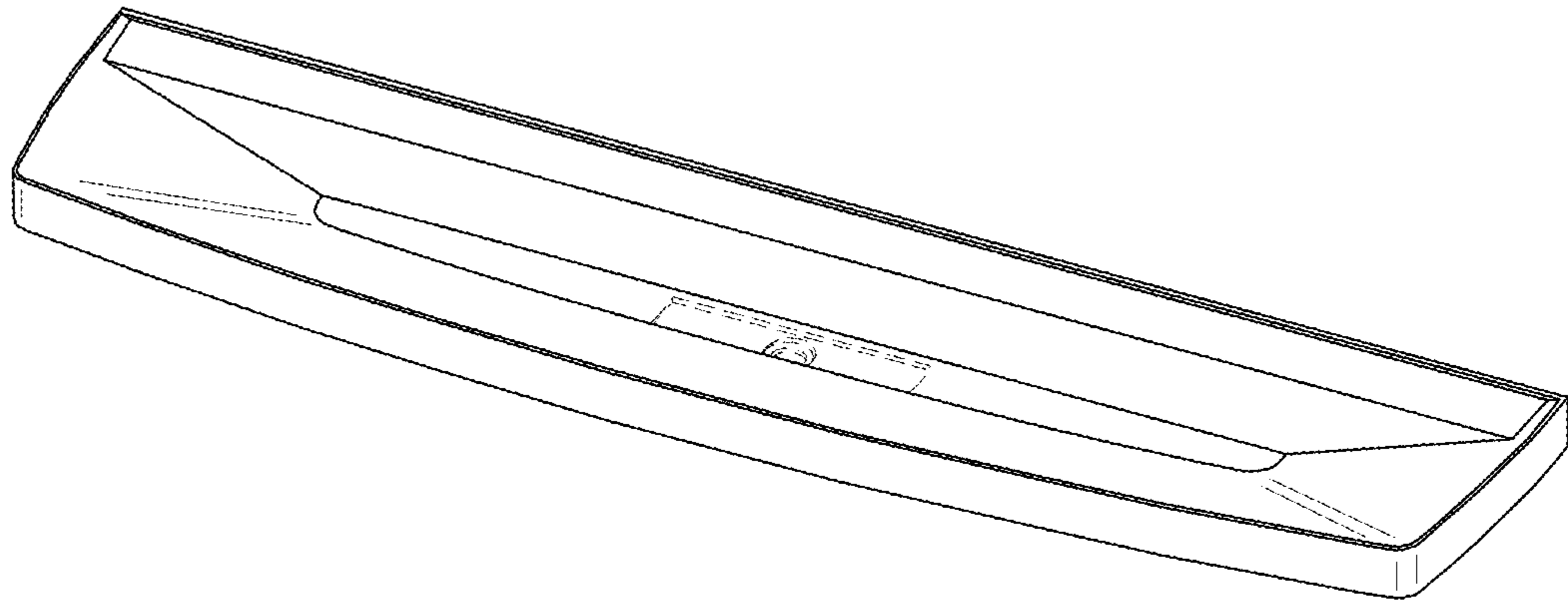
The ornamental design for a lavatory basin, as shown and described.

**DESCRIPTION**

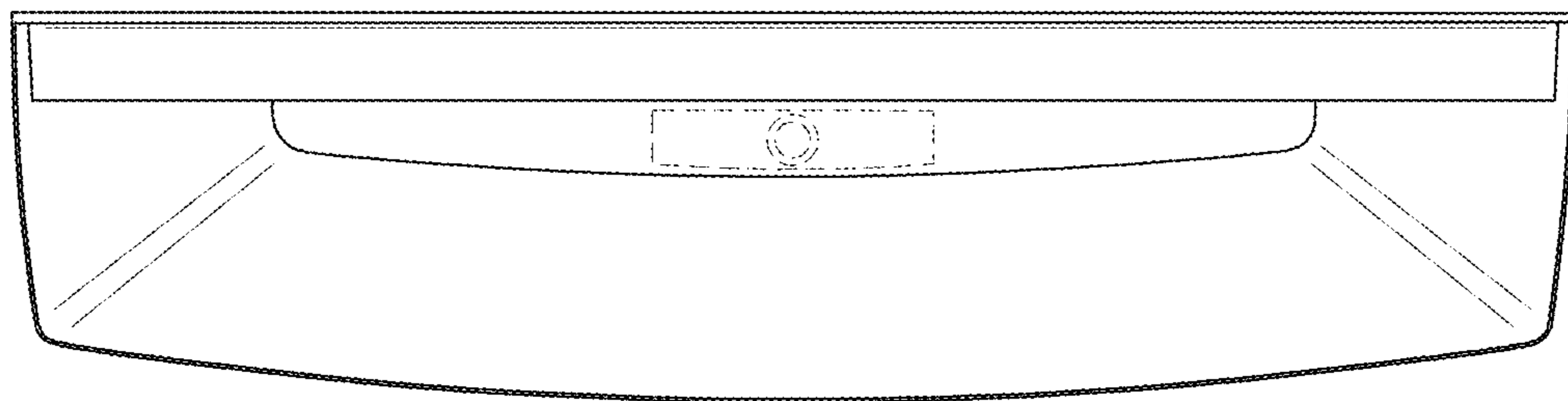
FIG. 1 is a perspective view of the lavatory basin.  
FIG. 2 is a top plan view of the lavatory basin.  
FIG. 3 is a bottom plan view of the lavatory basin.  
FIG. 4 is a front elevation view of the lavatory basin.  
FIG. 5 is a back elevation view of the lavatory basin.  
FIG. 6 is a left elevation view of the lavatory basin; and,  
FIG. 7 is a right elevation view of the lavatory basin.  
The broken lines in the drawings illustrate subject matter which forms no part of the claimed design.

**1 Claim, 3 Drawing Sheets**

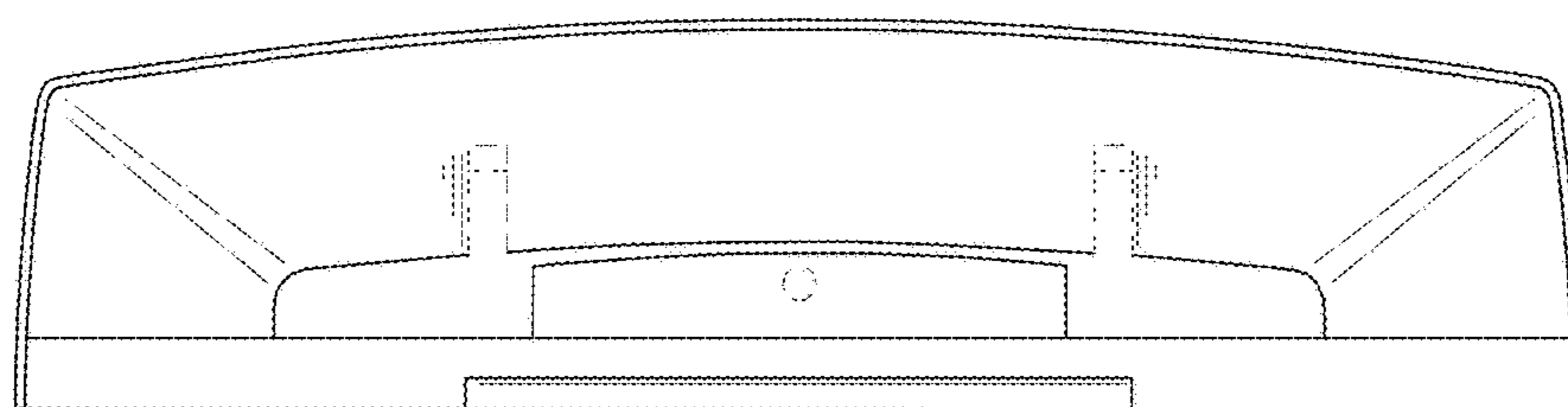




**Fig. 1**



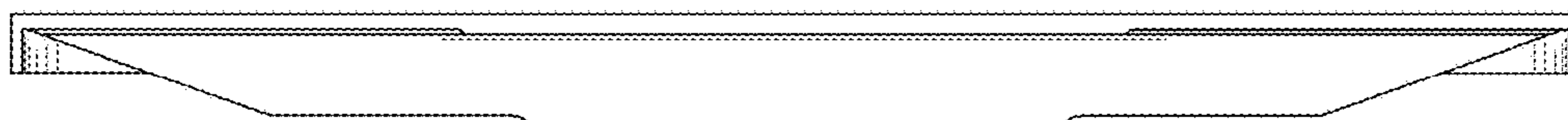
**Fig. 2**



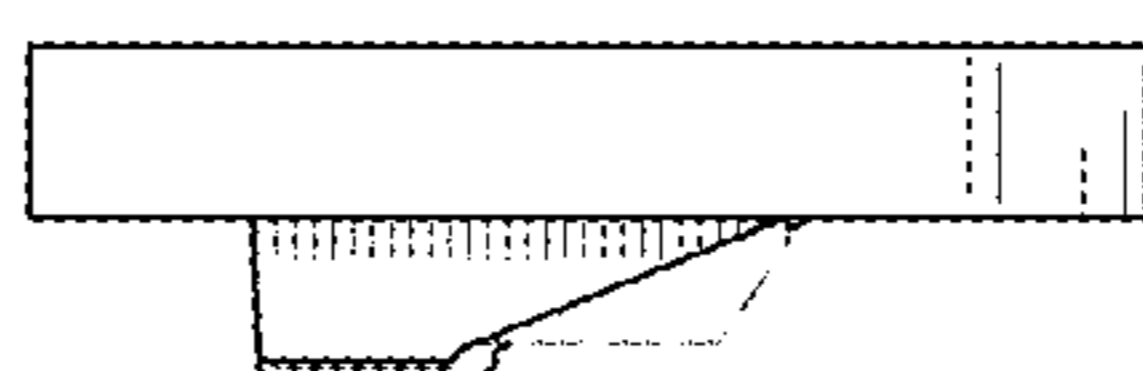
**Fig. 3**



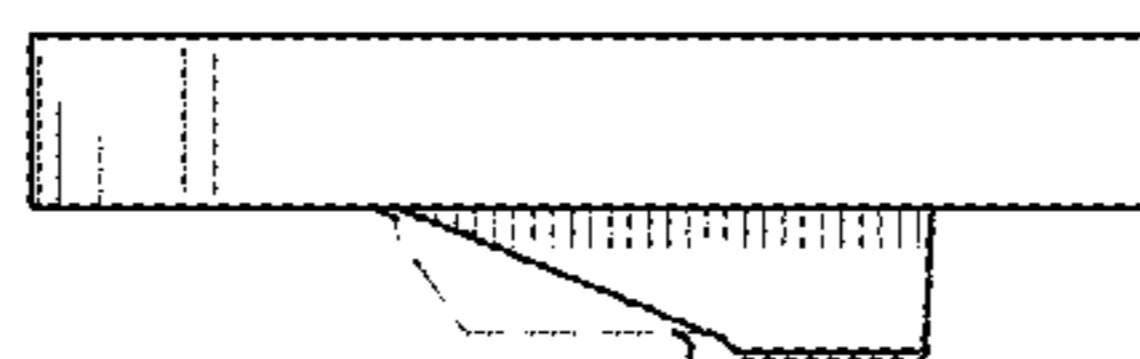
**Fig. 4**



**Fig. 5**



**Fig. 6**



**Fig. 7**