



US00D809633S

(12) **United States Design Patent** (10) **Patent No.:** **US D809,633 S**  
**Prats** (45) **Date of Patent:** **\*\* \*Feb. 6, 2018**

(54) **HOSE STORAGE APPARATUS**  
(71) Applicant: **Jorge Prats**, River Edge, NJ (US)  
(72) Inventor: **Jorge Prats**, River Edge, NJ (US)  
(73) Assignee: **Tristar Products, Inc.**, Fairfield, NJ (US)  
(\* ) Notice: This patent is subject to a terminal disclaimer.  
(\*\* ) Term: **14 Years**  
(21) Appl. No.: **29/485,776**  
(22) Filed: **Mar. 21, 2014**  
(51) **LOC (11) Cl.** ..... **23-01**  
(52) **U.S. Cl.**  
USPC ..... **D23/266**  
(58) **Field of Classification Search**  
USPC ..... D23/266; D34/1, 5, 7, 9; D32/37  
CPC ..... B65H 75/362; B65D 25/22; B65D 25/38;  
B65D 85/16  
See application file for complete search history.

D476,458 S \* 6/2003 Lin ..... D34/7  
D513,445 S \* 1/2006 Lin ..... D34/9  
D518,266 S \* 3/2006 Yang ..... D34/9  
D525,756 S \* 7/2006 Yang ..... D34/9  
D528,726 S \* 9/2006 Lin ..... D34/9  
D542,000 S \* 5/2007 Miller ..... D34/1  
7,225,943 B2 \* 6/2007 Yang ..... A61L 9/014  
220/23.9  
D552,824 S \* 10/2007 Zimmerman ..... D34/7  
D554,322 S \* 10/2007 Pollack ..... D34/7  
D575,020 S \* 8/2008 Miller ..... D34/7  
D578,722 S \* 10/2008 Yang ..... D34/9  
D599,971 S \* 9/2009 Lin ..... D34/7  
D611,216 S \* 3/2010 Yang ..... D34/7  
D632,864 S \* 2/2011 Yang ..... D34/9  
D672,520 S \* 12/2012 Yang ..... D34/7  
2003/0201265 A1 \* 10/2003 Lin ..... B65F 1/1607  
220/254.3

(Continued)

*Primary Examiner* — Darlington Ly  
*Assistant Examiner* — Daniel J Domino  
(74) *Attorney, Agent, or Firm* — Leo Stanger

(57) **CLAIM**

The ornamental design for a hose storage apparatus, as shown and described.

**DESCRIPTION**

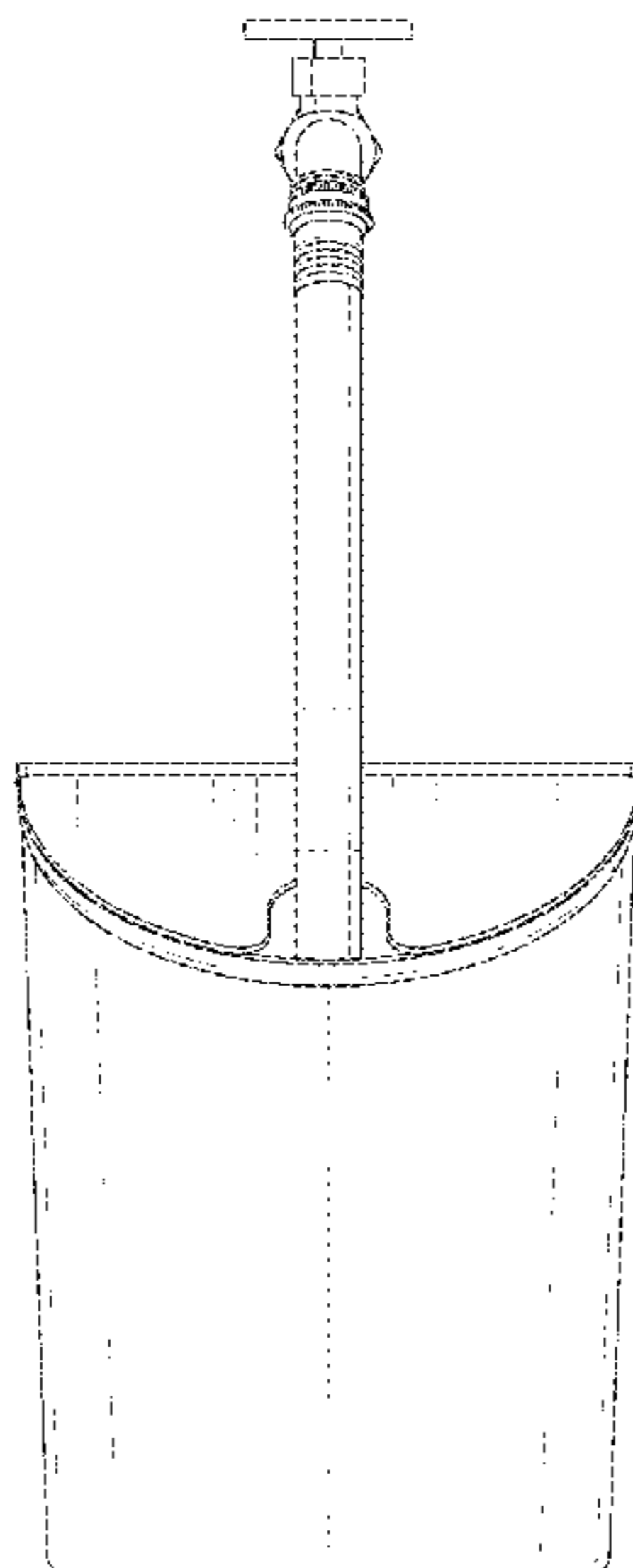
FIG. 1 is a front view of a hose storage apparatus showing my new design.  
FIG. 2 is a rear view thereof;  
FIG. 3 is a left side view thereof;  
FIG. 4 is a right side view thereof;  
FIG. 5 is a bottom view thereof;  
FIG. 6 is an overhead view thereof;  
FIG. 7 is a bottom and rear perspective view thereof; and,  
FIG. 8 is a top and front perspective view thereof.  
The broken lines are for the purpose of illustrating portions of the article and form no part of the claimed design.

**1 Claim, 7 Drawing Sheets**

(56) **References Cited**

**U.S. PATENT DOCUMENTS**

686,954 A \* 11/1901 Riley ..... B65F 1/06  
220/476  
1,170,797 A \* 2/1916 Burroughs ..... B65F 1/163  
220/263  
1,229,777 A \* 6/1917 Oberholtzer ..... B65F 1/163  
220/263  
D75,613 S \* 6/1928 Cook ..... D32/37  
D129,848 S \* 10/1941 Panzer ..... D32/37  
D327,965 S \* 7/1992 Chelec ..... D34/1  
D355,514 S \* 2/1995 Breen ..... D34/1  
D376,235 S \* 12/1996 Presnell ..... D34/1  
D431,699 S \* 10/2000 Sofy ..... D32/37  
6,345,725 B1 \* 2/2002 Lin ..... B65F 1/1607  
220/263



(56)

**References Cited**

U.S. PATENT DOCUMENTS

2004/0016756	A1 *	1/2004	Lin	.....	B65F 1/163 220/263
2006/0186121	A1 *	8/2006	Yang	.....	B65F 1/163 220/263
2006/0249510	A1 *	11/2006	Lin	.....	B65F 1/163 220/263
2007/0241109	A1 *	10/2007	Lin	.....	B65F 1/163 220/264
2007/0289972	A1 *	12/2007	Wynn	.....	B65F 1/06 220/495.06
2009/0194532	A1 *	8/2009	Yang	.....	B65F 1/1638 220/211
2010/0037977	A1 *	2/2010	Rahimzadeh	.....	F16L 55/115 138/96 R
2015/0321877	A1 *	11/2015	Prats	.....	B65H 75/362 206/525

\* cited by examiner

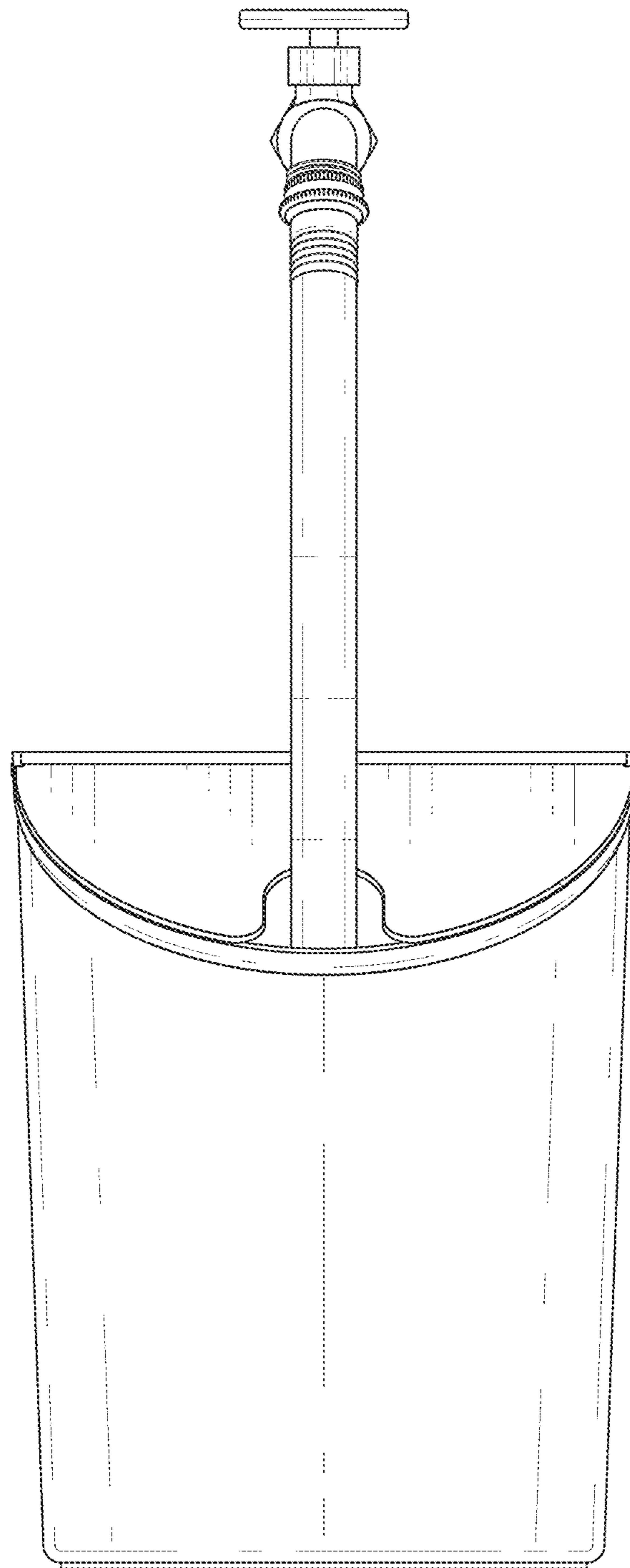


FIG. 1

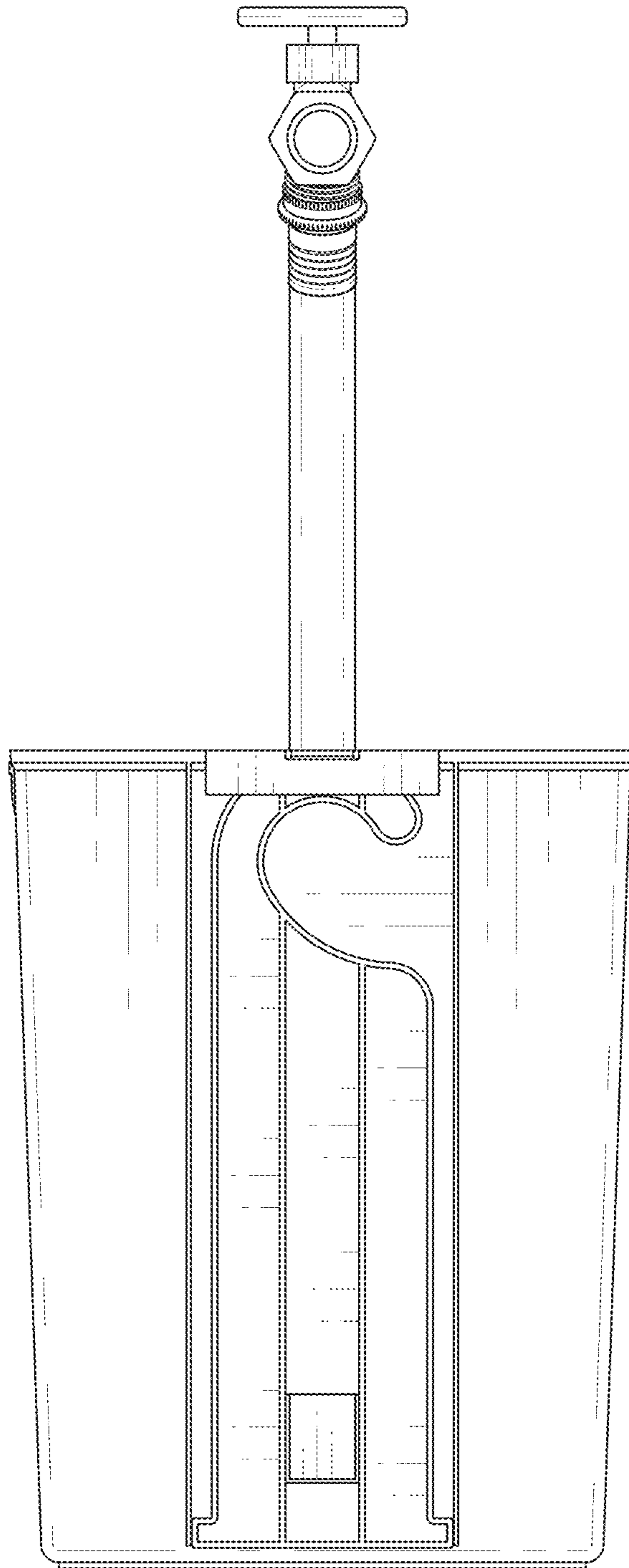


FIG. 2

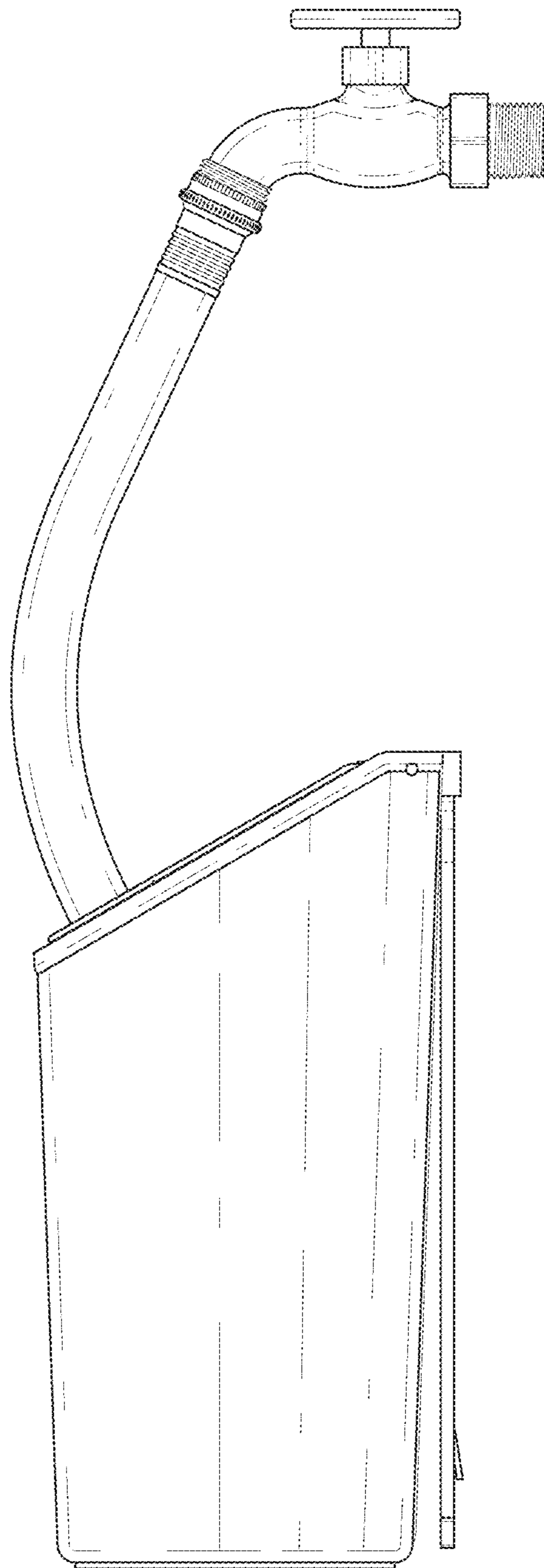


FIG. 3

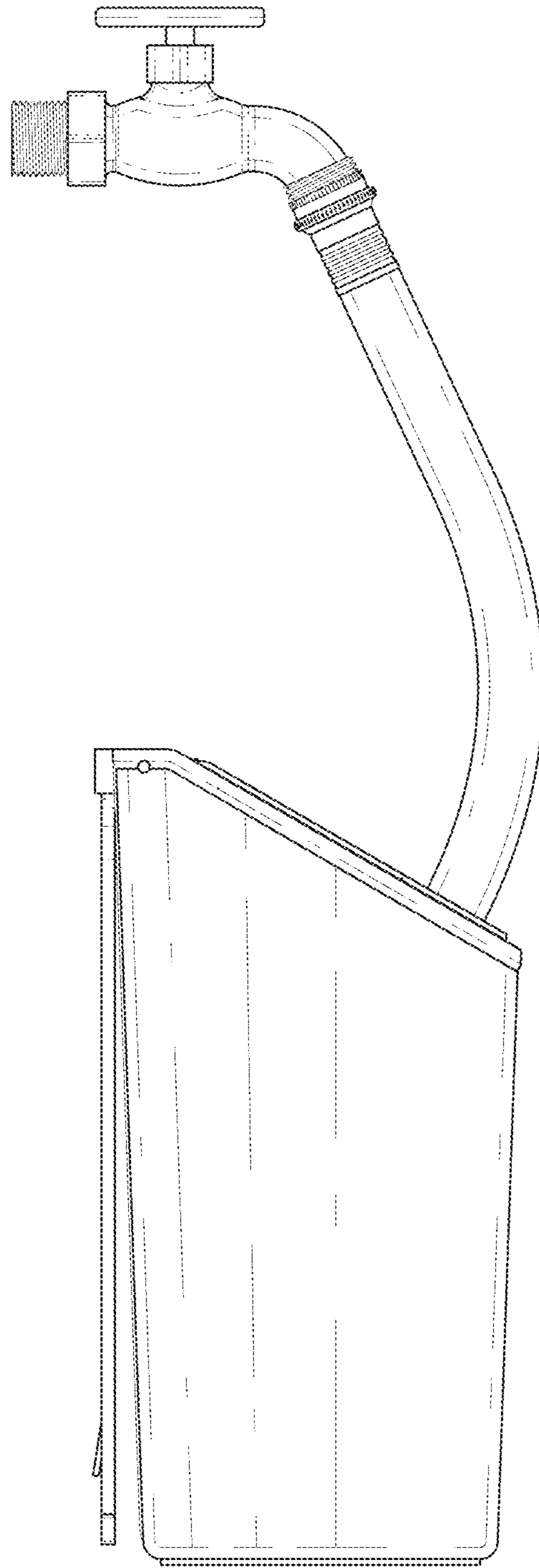


FIG. 4

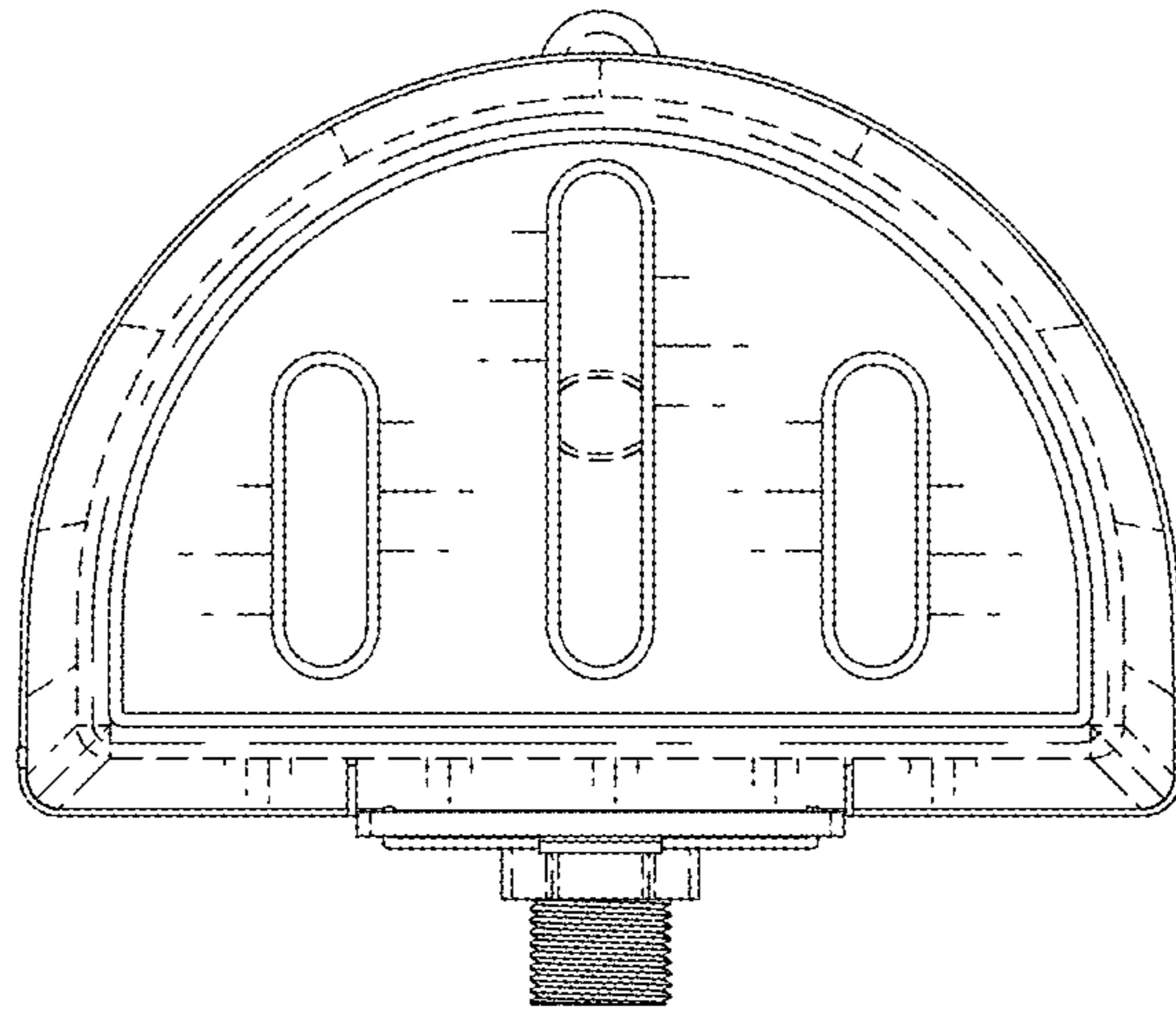
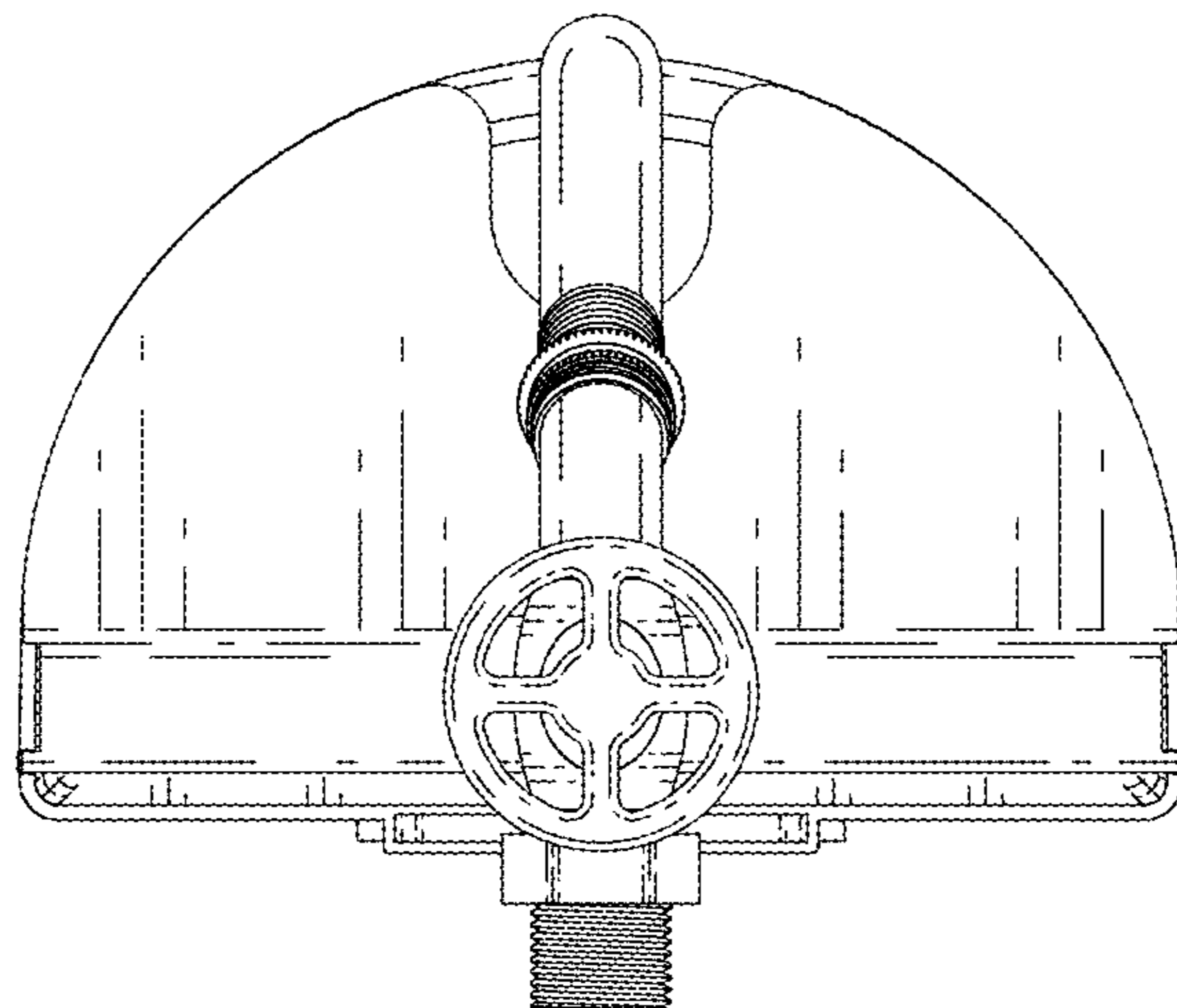


FIG. 5

FIG. 6



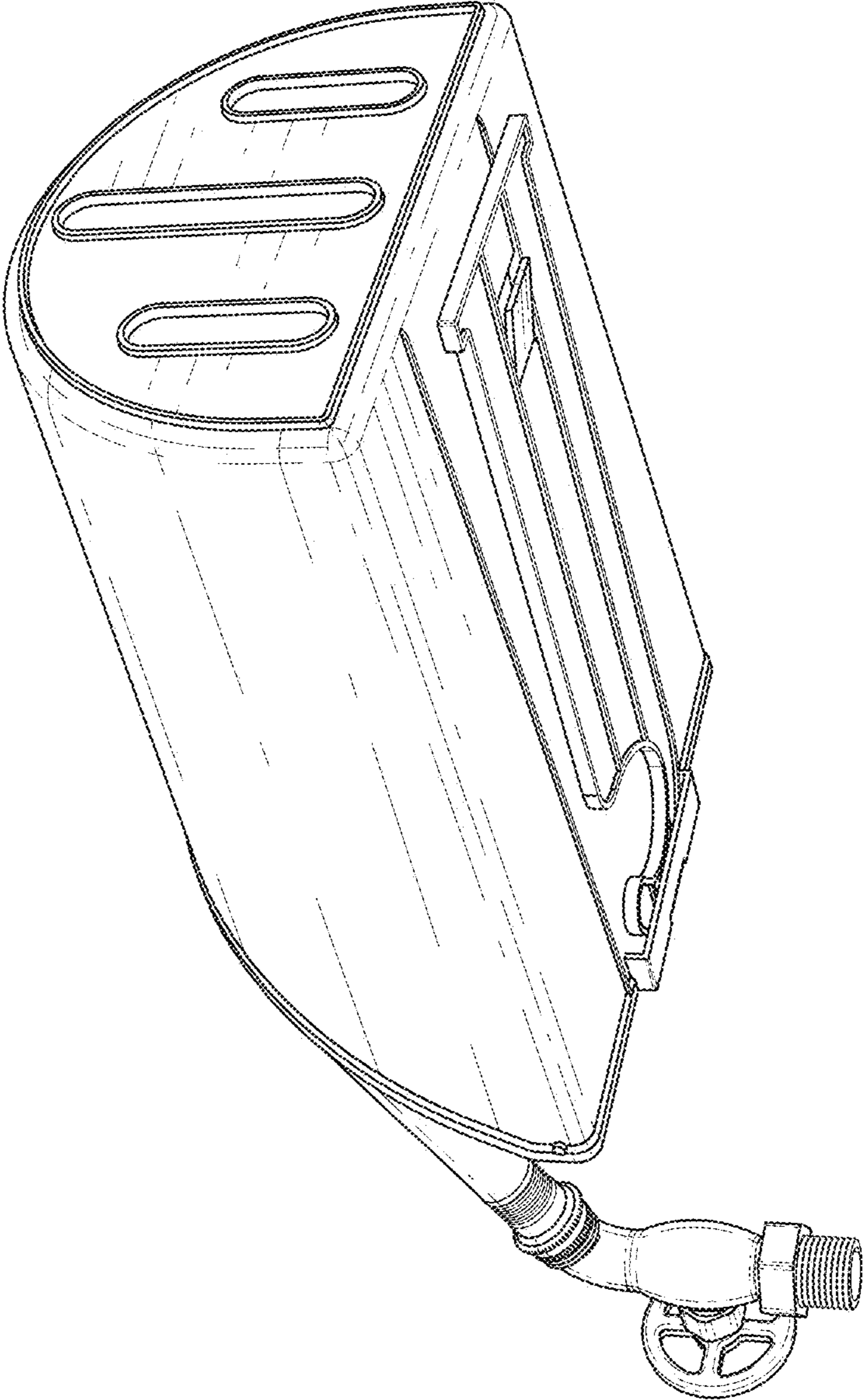


FIG. 7



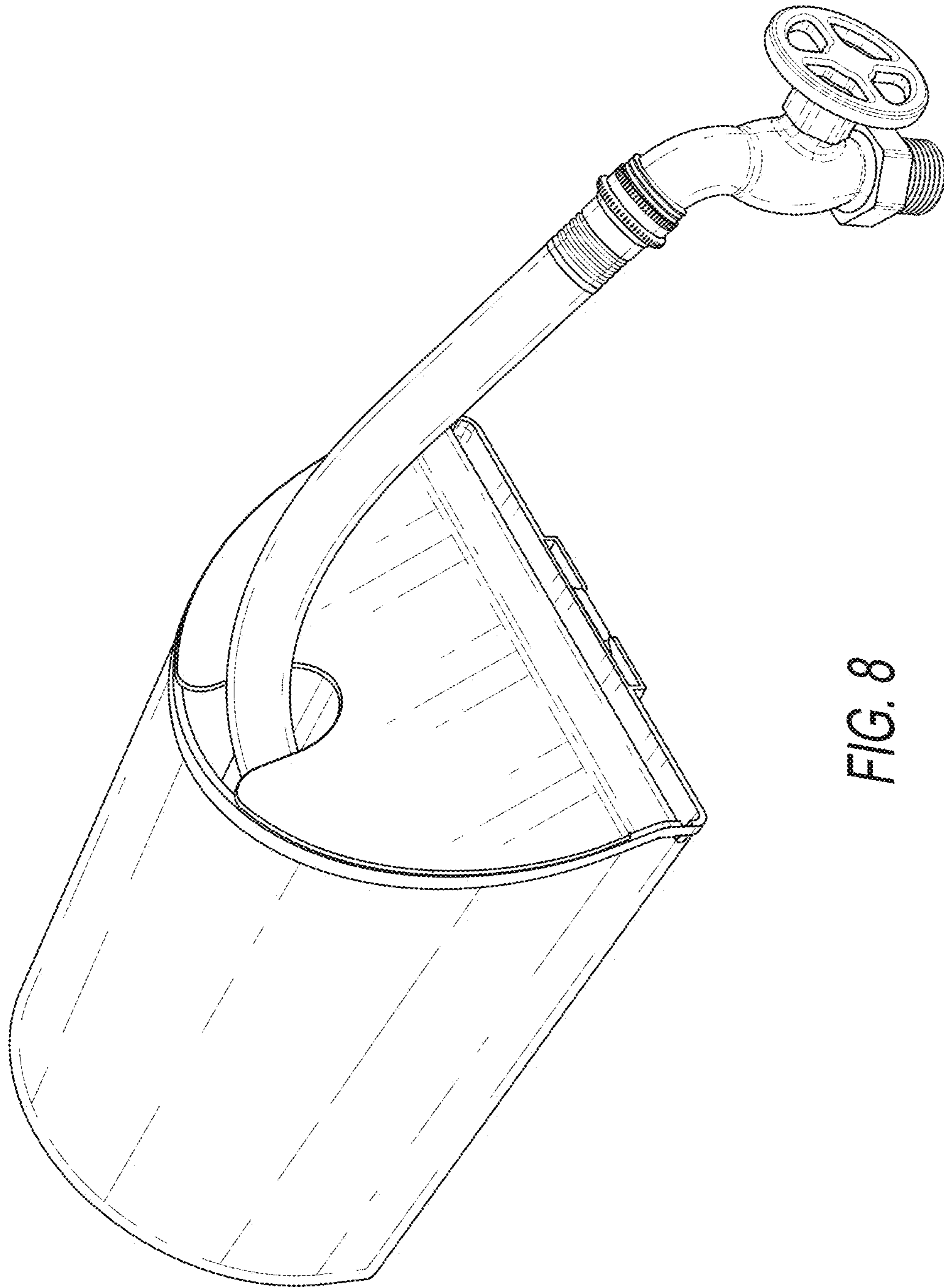


FIG. 8