



US00D809632S

(12) **United States Design Patent** (10) **Patent No.:** **US D809,632 S**
Wolf (45) **Date of Patent:** **** Feb. 6, 2018**

(54) **SCENTED SINK DRAIN TRAP STEM** 4,232,407 A * 11/1980 Williams A47K 1/14
4/286
(71) Applicant: **Kimberly Clark Wolf**, Highland Park, IL (US) D274,082 S * 5/1984 Burruss D23/235
D391,516 S * 3/1998 Kothari D11/40
(Continued)

(72) Inventor: **Kimberly Clark Wolf**, Highland Park, IL (US)

(73) Assignee: **Kimberly Clark Wolf**, Highland Park, IL (US)

FOREIGN PATENT DOCUMENTS

CA 2417068 A1 * 7/2004 E03C 1/0408
CA 2457750 C * 6/2010 E03C 1/23
(Continued)

(**) Term: **15 Years**

OTHER PUBLICATIONS

(21) Appl. No.: **29/555,759**

Build, Borsetti Marella 100506.07, no post date, [online], [site visited on Apr. 27, 2017]. Available from Internet, <URL: https://www.build.com/bosetti-marella-100506/s37452?uid=468152&source=ptrshp_468152#>.*

(22) Filed: **Feb. 24, 2016**

(51) **LOC (11) Cl.** **23-01**

(52) **U.S. Cl.**

USPC **D23/261**; D23/260

(58) **Field of Classification Search**

USPC D23/366, 284, 303, 308, 260, 234, 235, D23/236, 237, 244, 245, 246, 247, 248, D23/249, 261; 4/596-614; D8/14, 300, D8/301, 302, 303; D19/156; D11/40, D11/42, 43, 47, 75, 76, 79; D7/393, 395
CPC E03F 5/0404; A47K 7/024; A47K 7/046; A47K 3/006; A47K 3/12; A47K 3/30; A47K 3/281; A47K 3/283; A47K 3/32; A47K 3/325; A47K 3/28; A47K 3/288; A47K 3/40; A47K 3/302; A47K 3/34; A47K 3/36; A47K 3/38; E03C 1/0408; E03C 1/284; E03C 1/24; E03C 1/244; E03C 1/23; E03C 1/232; E03C 1/22; E03C 1/262

See application file for complete search history.

(56) **References Cited**

U.S. PATENT DOCUMENTS

2,163,453 A * 6/1939 Schultis E03C 1/262
251/100
3,468,512 A * 9/1969 Politz E03C 1/23
251/103

(Continued)

Primary Examiner — Sheryl Lane
Assistant Examiner — Samantha N Wood
(74) *Attorney, Agent, or Firm* — Cook Alex Ltd.

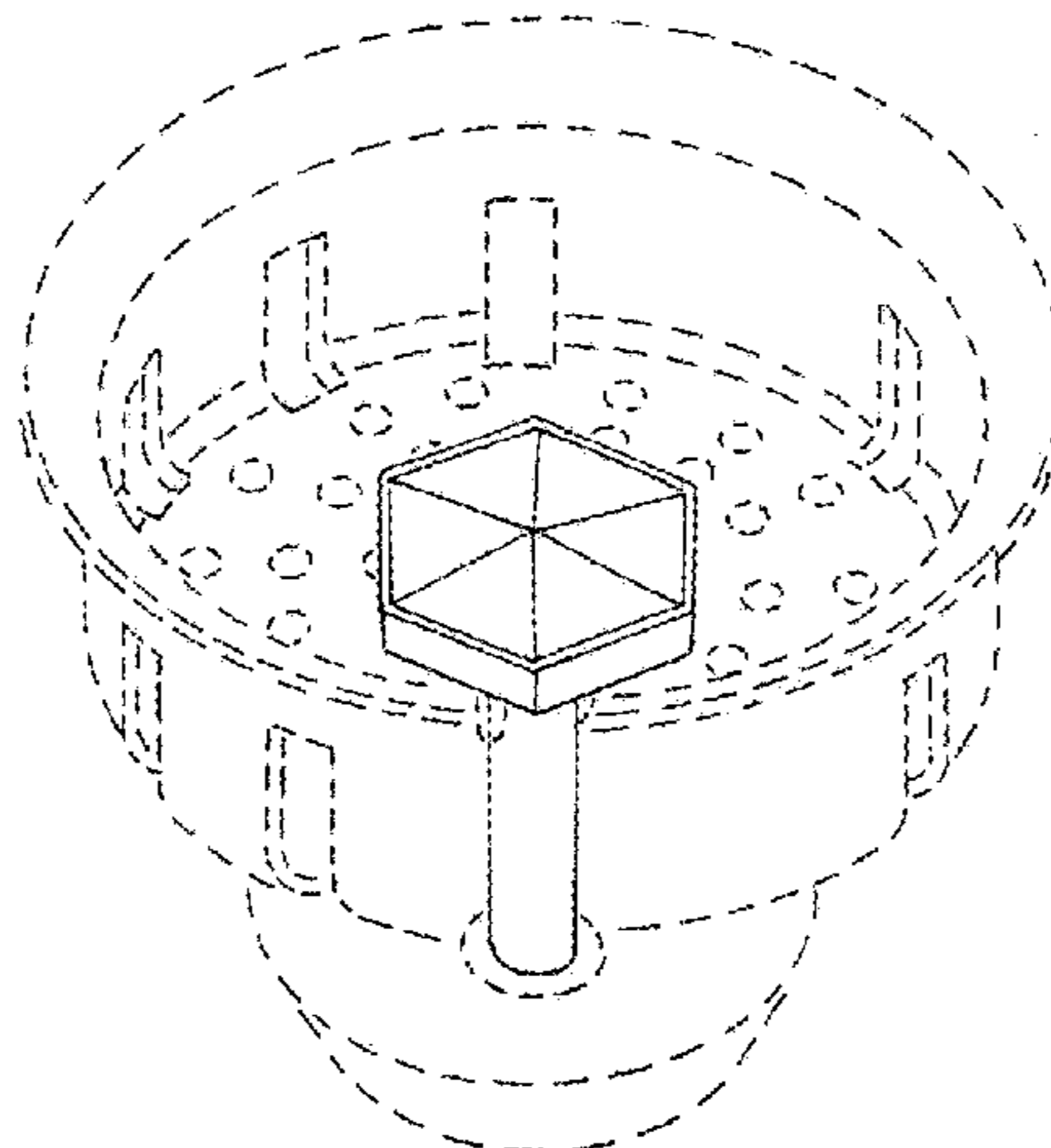
(57) **CLAIM**

The ornamental design for a scented sink drain trap stem, as shown and described.

DESCRIPTION

FIG. 1 is a perspective view of a new design for a scented sink drain trap stem;
FIG. 2 is a front elevational view thereof, the rear elevational view being the same as FIG. 2;
FIG. 3 is a side elevational view thereof, the opposite side elevational view being the same as FIG. 3;
FIG. 4 is a top plan view thereof; and,
FIG. 5 is a bottom plan view thereof.
The broken lines showing portions of the scented sink drain trap stem are included for the purpose of illustrating the environmental structure and form no part of the claimed design.

1 Claim, 2 Drawing Sheets



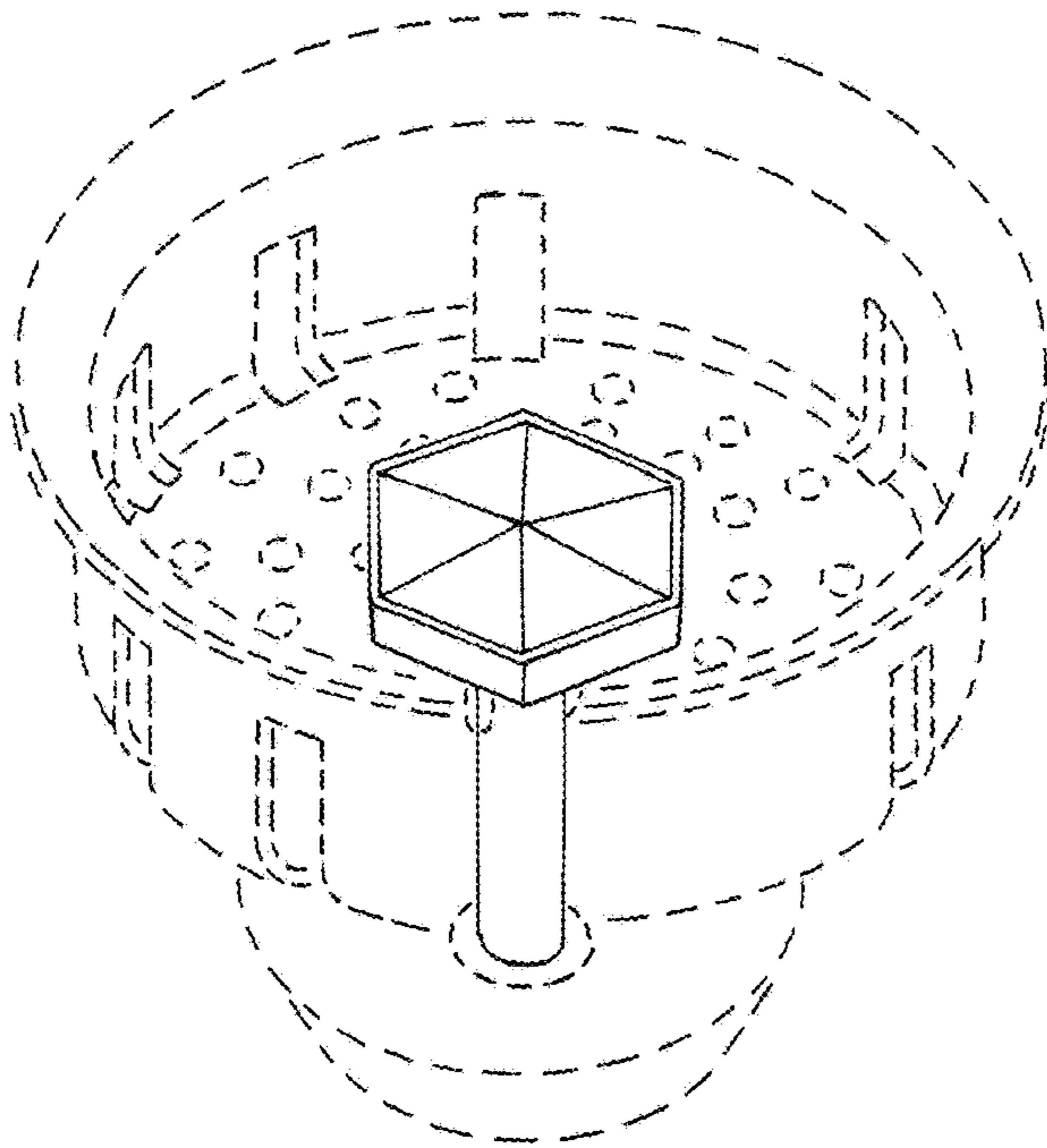


FIG. 1

FIG. 2

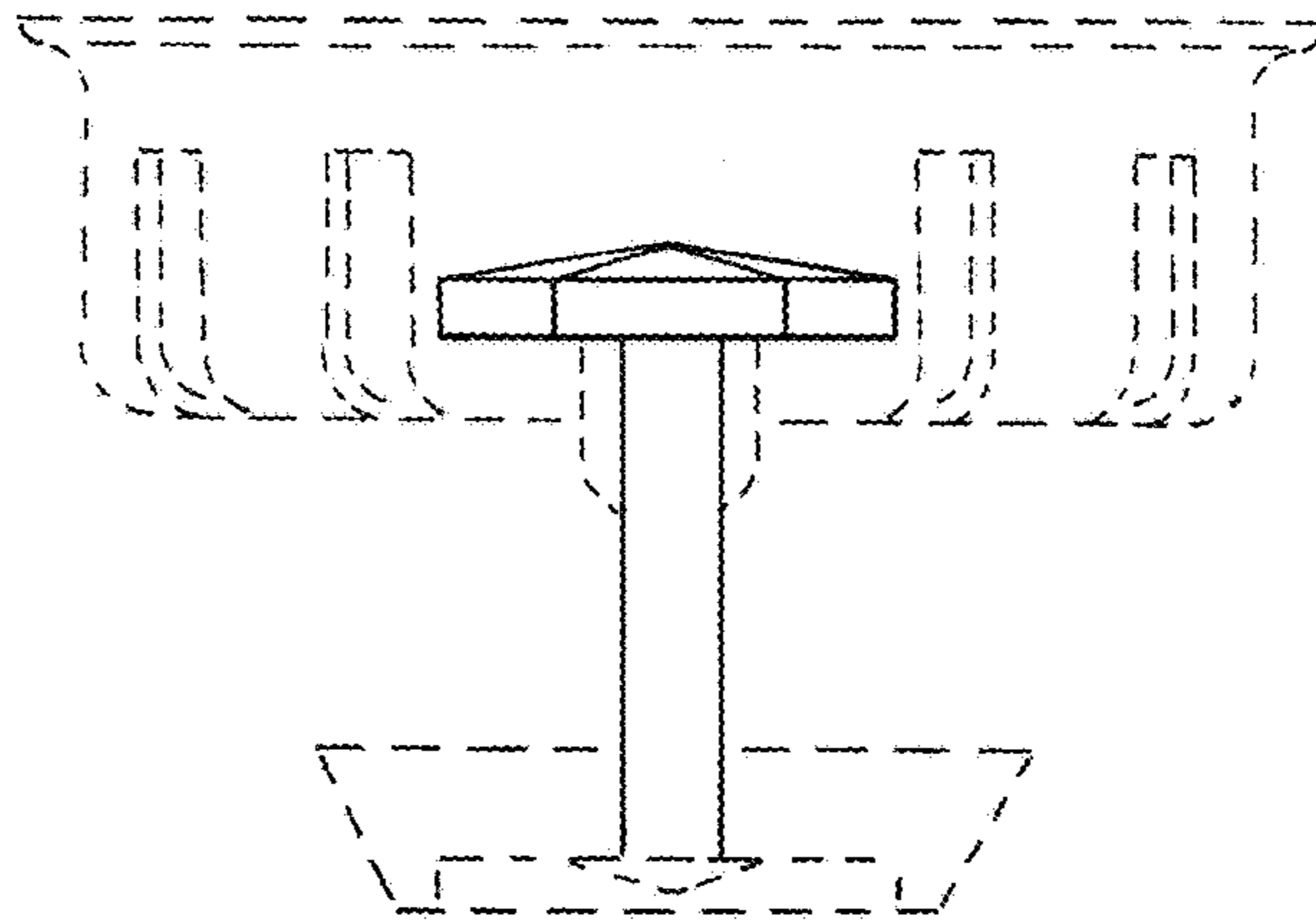


FIG. 3

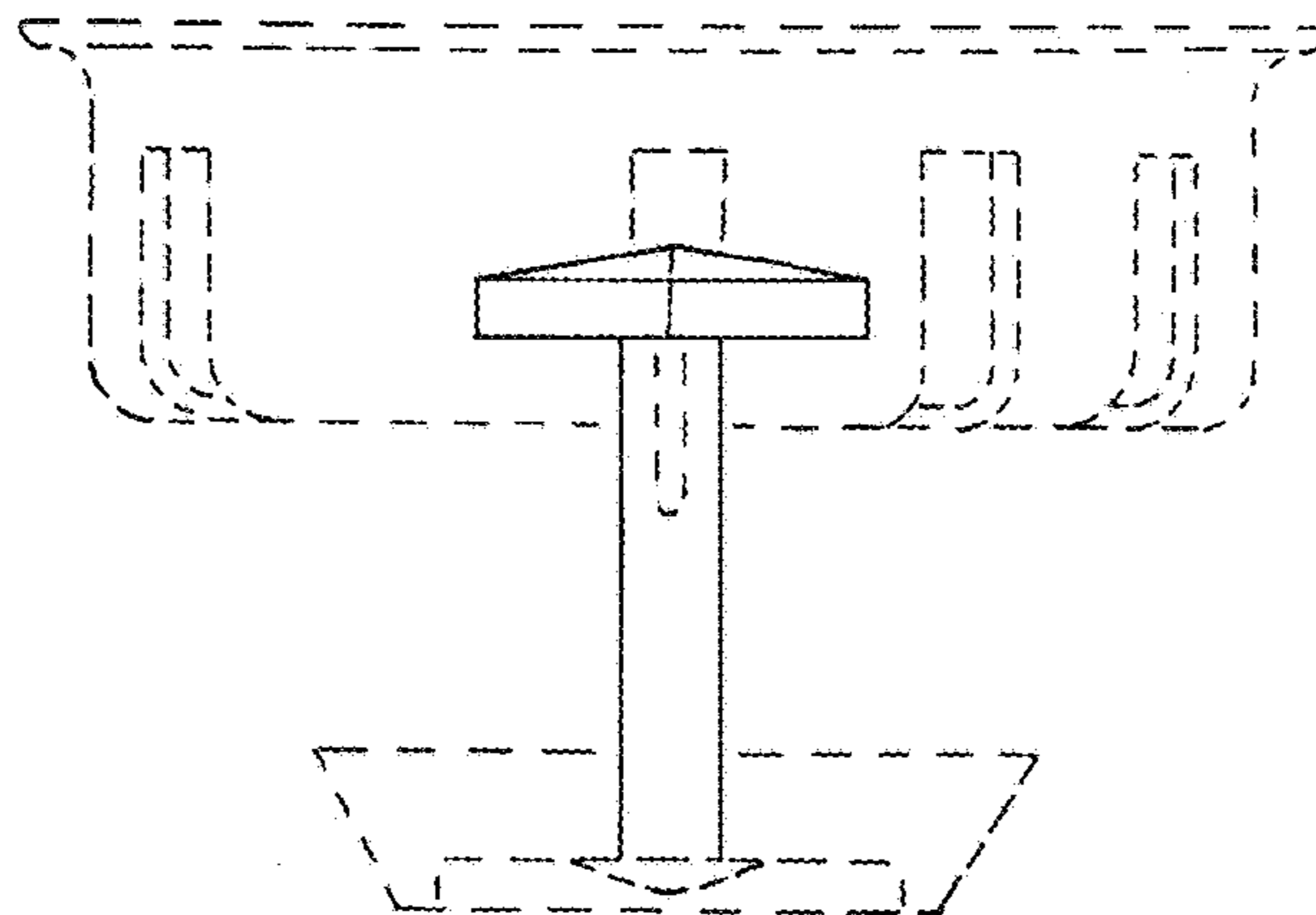


FIG. 4

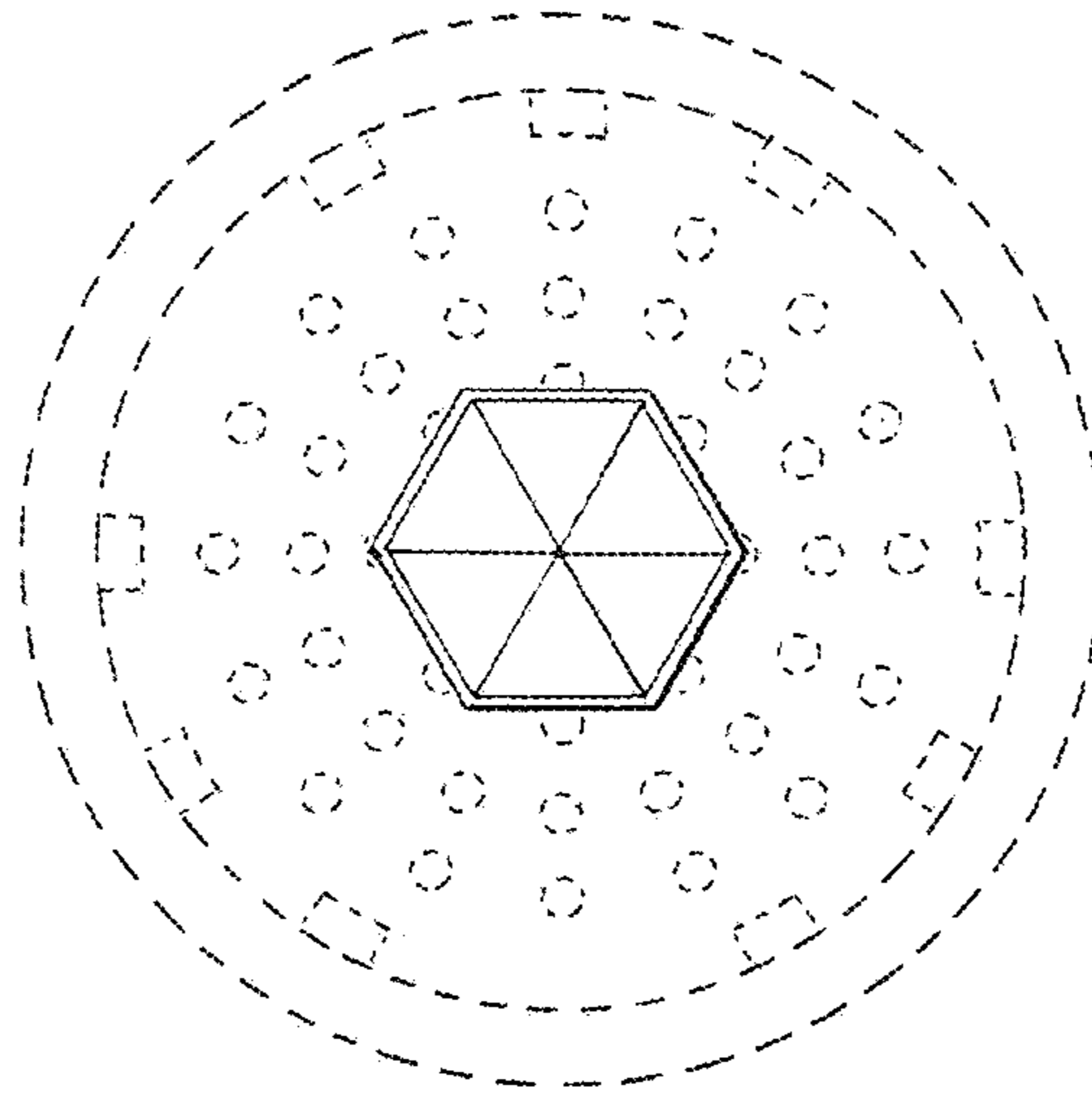


FIG. 5

