



US00D809631S

(12) **United States Design Patent** (10) **Patent No.:** **US D809,631 S**
Kirar et al. (45) **Date of Patent:** **** Feb. 6, 2018**

- | | | | |
|--|--------------|---------|--------------|
| (54) FAUCET | D517,174 S | 3/2006 | Singtoroj |
| | D522,102 S | 5/2006 | Fritz |
| (71) Applicant: Kohler Co. , Kohler, WI (US) | D524,140 S | 7/2006 | Kirar |
| | D531,267 S | 10/2006 | Hundley |
| (72) Inventors: Laura K. Kirar , Miami Beach, FL (US); William C. McKeone , Sheboygan, WI (US) | D532,866 S | 11/2006 | Kirar |
| | D533,924 S | 12/2006 | Kirar |
| | D534,251 S | 12/2006 | Barry |
| | D564,634 S | 3/2008 | Kirar |
| | D570,453 S | 6/2008 | Tsai |
| (73) Assignee: KOHLER CO. , Kohler, WI (US) | D580,523 S | 11/2008 | Hanna |
| | D581,025 S | 11/2008 | Schonherr |
| (**) Term: 15 Years | D585,525 S | 1/2009 | Ko |
| | D619,872 S | 7/2010 | Singtoroj |
| (21) Appl. No.: 29/619,318 | D634,815 S | 3/2011 | Barry |
| | D664,630 S | 7/2012 | Fritz et al. |
| | D666,277 S | 8/2012 | Schaefer |
| (22) Filed: Sep. 28, 2017 | 8,235,431 B2 | 8/2012 | Williamson |

(Continued)

Related U.S. Application Data

- (62) Division of application No. 29/603,617, filed on May 11, 2017, now Pat. No. Des. 802,100, which is a division of application No. 29/540,143, filed on Sep. 21, 2015, now Pat. No. Des. 787,645.
- (51) **LOC (11) Cl.** **23-01**
- (52) **U.S. Cl.**
USPC **D23/257**
- (58) **Field of Classification Search**
USPC D23/238–243, 249, 255, 257
CPC E03C 1/04; E03C 1/0401; E03C 1/0402; E03C 1/0404; F16K 31/602; F16K 31/605; F16K 31/607
See application file for complete search history.

References Cited

U.S. PATENT DOCUMENTS

- | | | |
|-------------|---------|----------|
| D255,921 S | 7/1980 | Doman |
| D318,904 S | 8/1991 | Hartkopf |
| D334,230 S | 3/1993 | Bonnell |
| D364,217 S | 11/1995 | Dubin |
| D384,401 S | 9/1997 | Doughty |
| 5,813,708 A | 9/1998 | Shen |
| D472,615 S | 4/2003 | Smith |
| D487,305 S | 3/2004 | Quyong |

Primary Examiner — Robert A Delehanty

(74) *Attorney, Agent, or Firm* — Foley & Lardner LLP

(57) **CLAIM**

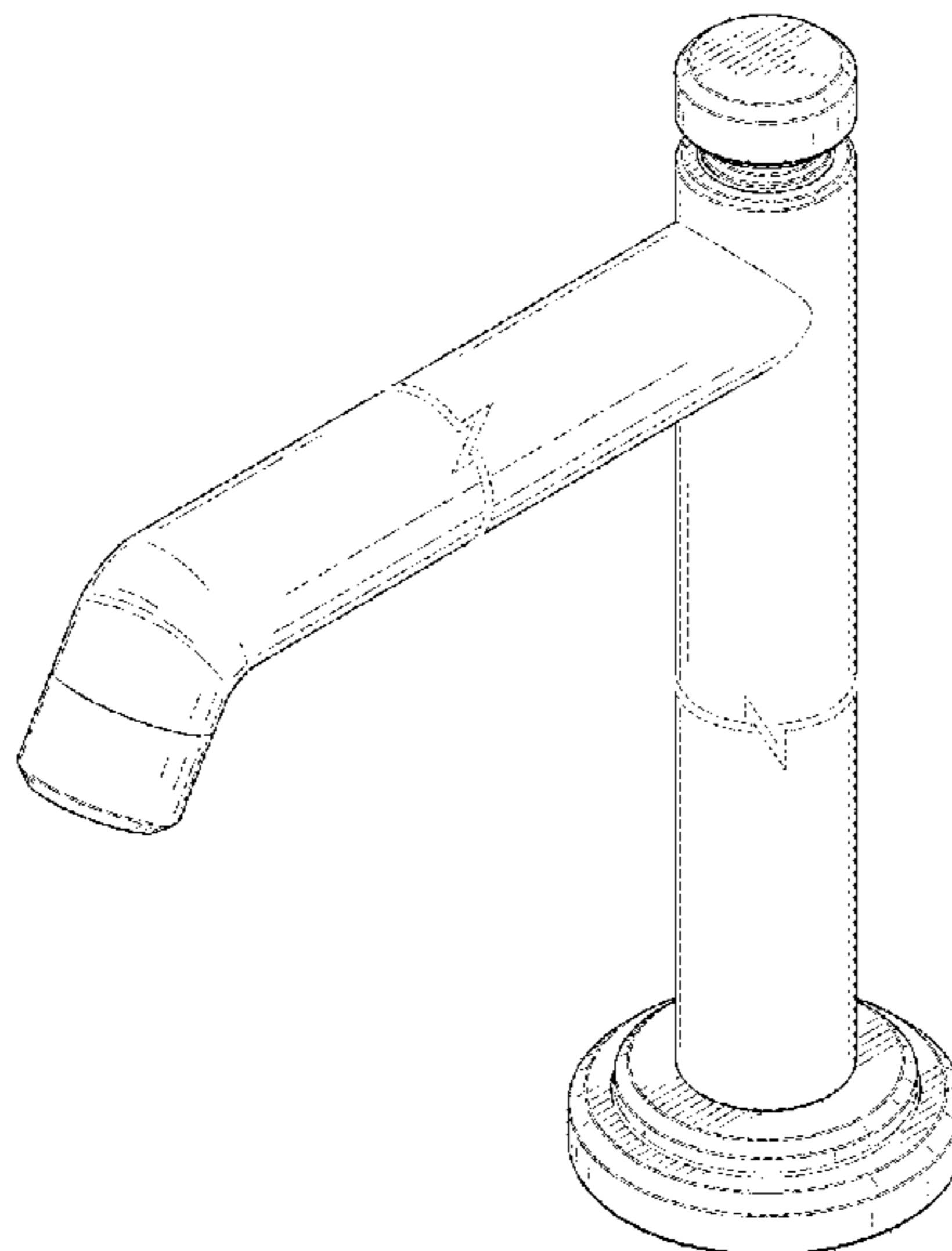
We claim the ornamental design for a faucet, as shown and described.

DESCRIPTION

FIG. 1 is a perspective view of an embodiment of the claimed design;
 FIG. 2 is a front view thereof;
 FIG. 3 is a rear view thereof;
 FIG. 4 is a side view thereof;
 FIG. 5 is a top view thereof; and,
 FIG. 6 is a bottom view thereof.

The ornamental design which is claimed is shown in solid lines in the drawings. The broken lines in the drawings form no part of the claimed design. Broken lines formed by equal length dashes show unclaimed subject matter. Broken lines formed by unequal length dashes (i.e., dash-dot) define bounds of the claimed design. Broken away symbols having a jagged element show that no particular length of the portion is claimed.

1 Claim, 6 Drawing Sheets



(56)

References Cited

U.S. PATENT DOCUMENTS

D678,987 S	3/2013	Liao
D684,669 S	6/2013	Eilmus
D685,878 S	7/2013	Fritz
D699,970 S	2/2014	Sedwick
D714,912 S	10/2014	Barry
D741,453 S	10/2015	Bahler
D752,163 S	3/2016	Eder
D754,827 S	4/2016	Byron
D767,102 S	9/2016	Schoenherr
D785,436 S	5/2017	Carlino
D787,640 S	5/2017	Kirar et al.
D787,645 S	5/2017	Kirar
2016/0002954 A1	1/2016	Ali et al.

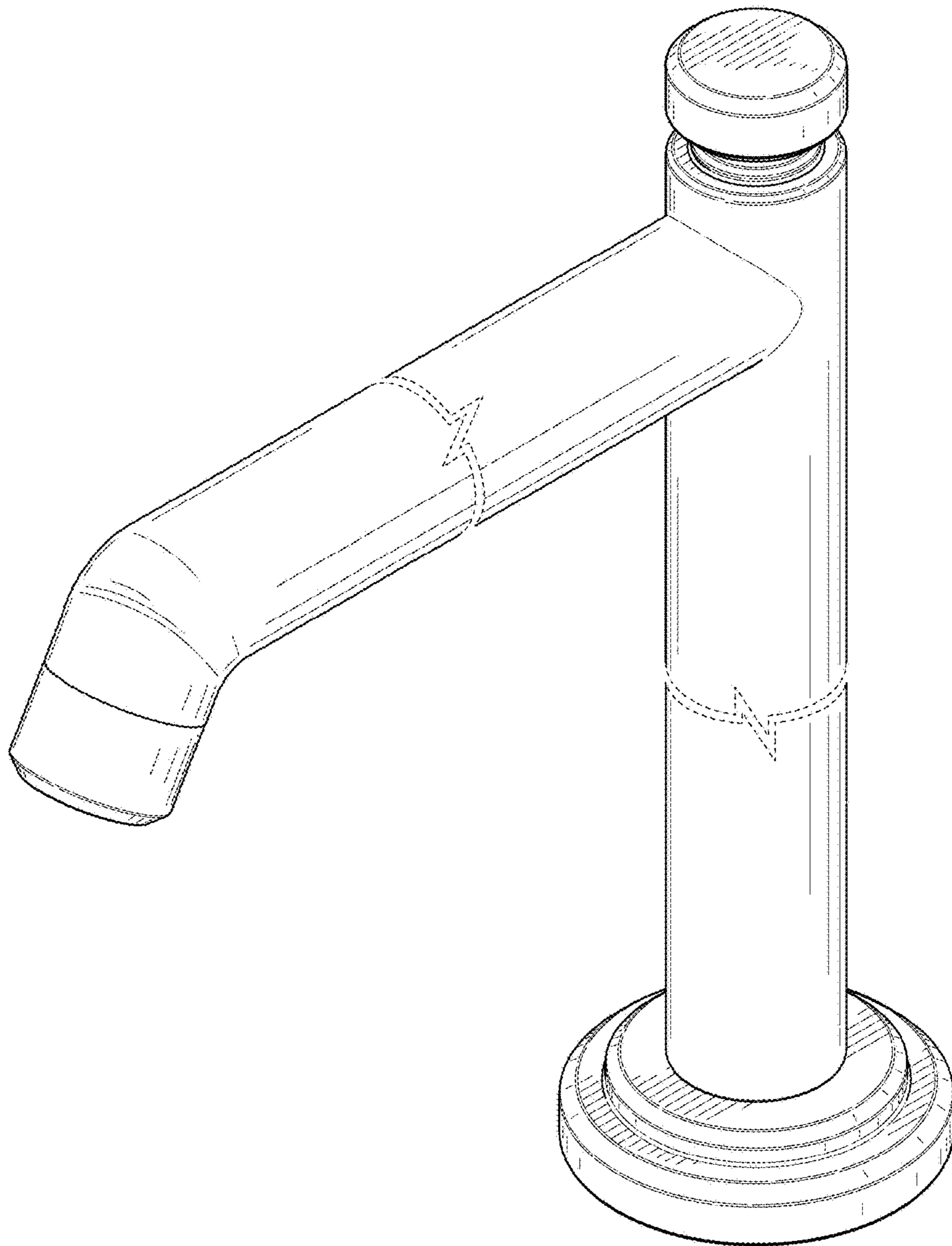


FIG. 1

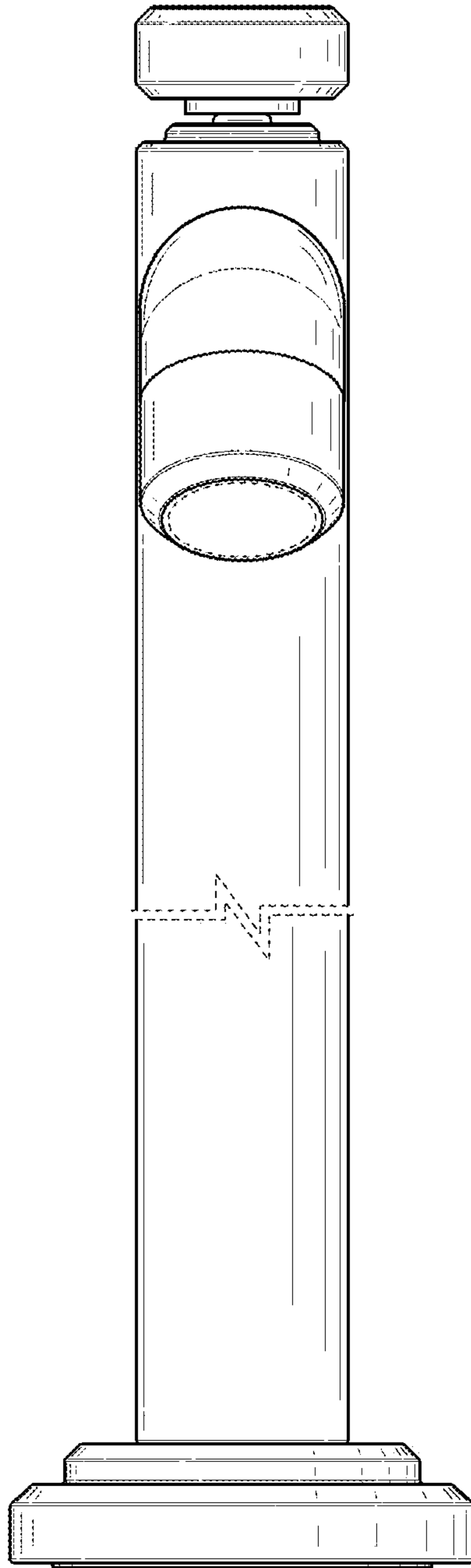


FIG. 2

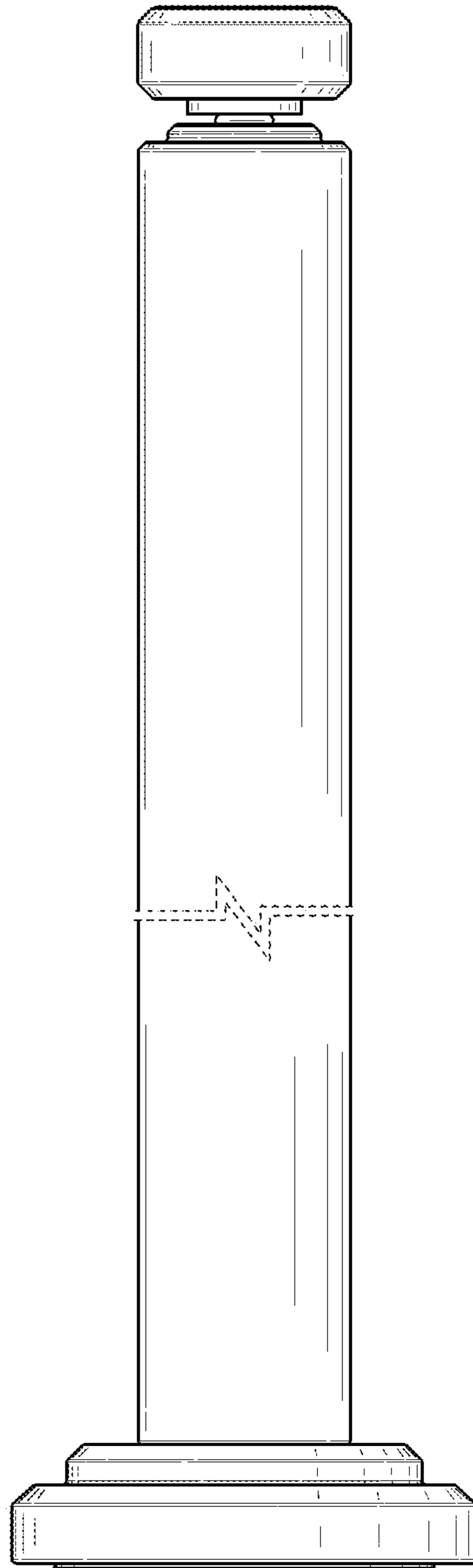


FIG. 3

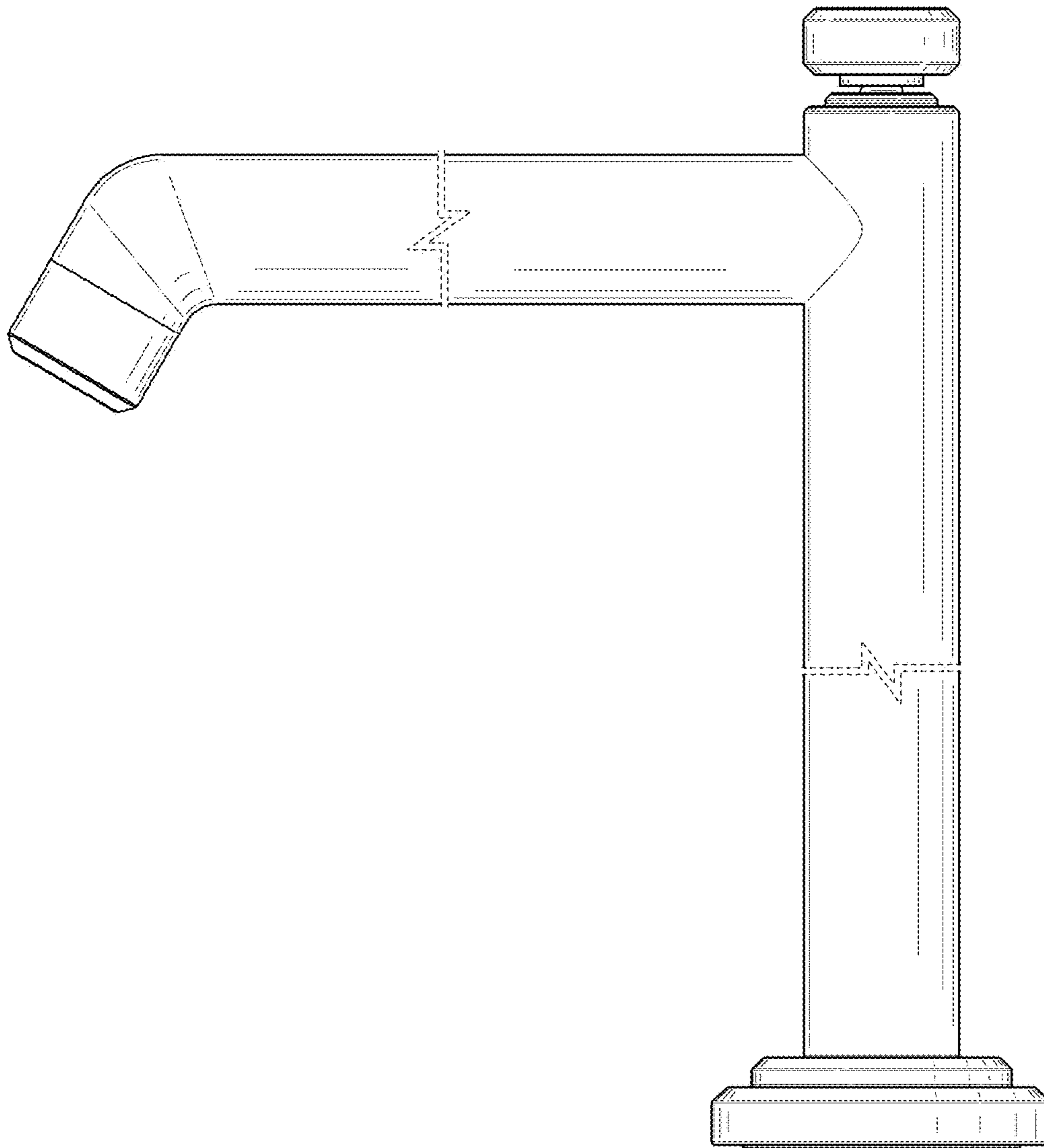


FIG. 4

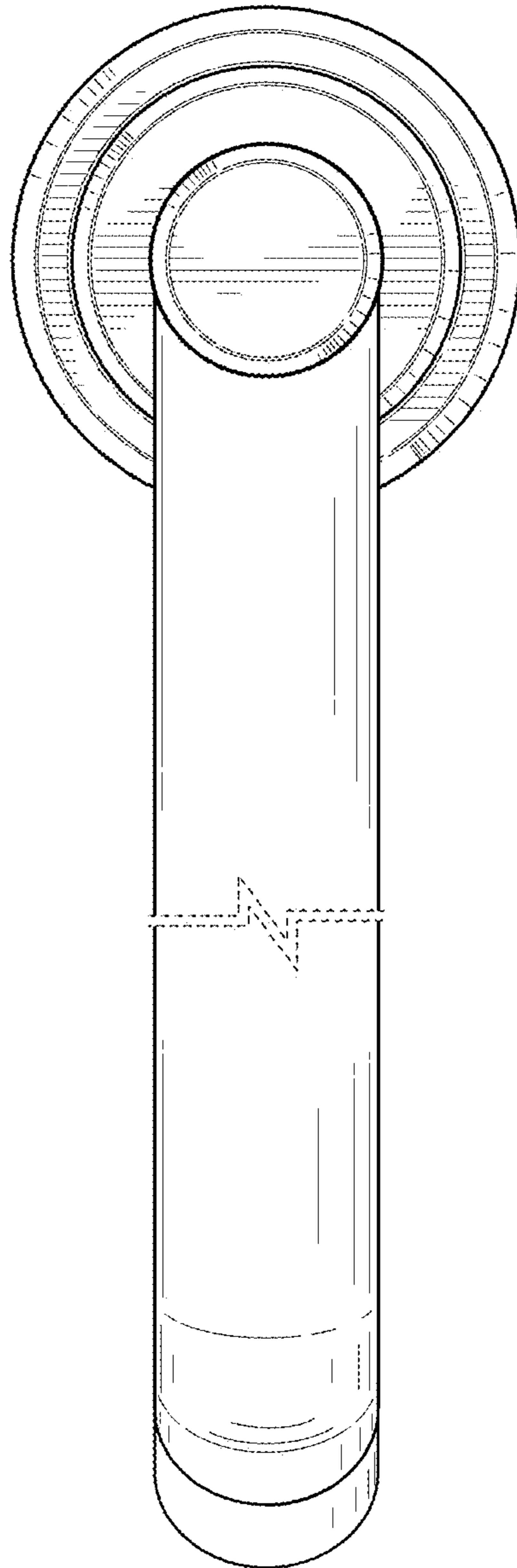


FIG. 5

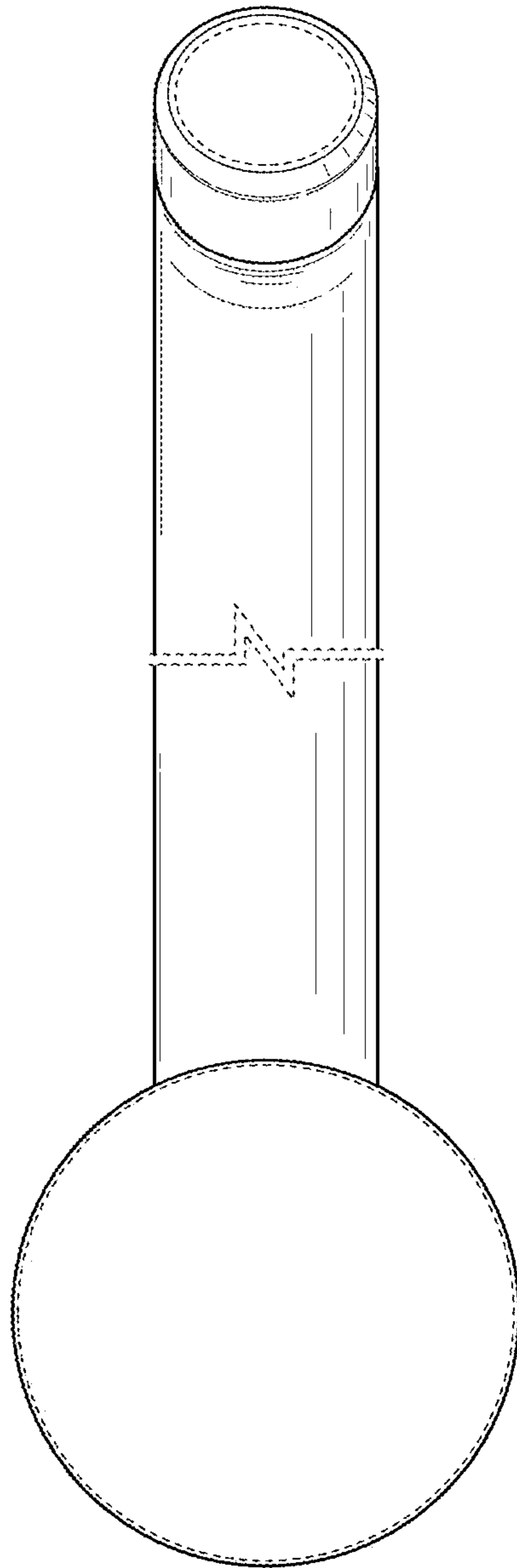


FIG. 6