



US00D809626S

(12) **United States Design Patent**  
**Bonaventura et al.**

(10) **Patent No.:** **US D809,626 S**  
(45) **Date of Patent:** **\*\* Feb. 6, 2018**

(54) **BATTERY POWERED BACKPACK SPRAYER UNIT**

(71) Applicant: **The Fountainhead Group, Inc.**, New York Mills, NY (US)

(72) Inventors: **Jason Bonaventura**, Oneida, NY (US);  
**Jeffrey D. Nicolai**, Erie, PA (US);  
**Patrick T. Olsen**, Hamilton, NY (US)

(73) Assignee: **The Fountainhead Group**, New York Mills, NY (US)

(\*\*) Term: **15 Years**

(21) Appl. No.: **29/597,534**

(22) Filed: **Mar. 17, 2017**

(51) **LOC (11) Cl.** ..... **23-01**

(52) **U.S. Cl.**  
USPC ..... **D23/225**

(58) **Field of Classification Search**  
USPC ..... D23/213, 223, 225; 239/310, 337, 340,  
239/345, 361, DIG. 14, 152-154, 146;  
222/333, 465.1, 383.1; D8/1-3  
CPC ..... B05B 7/2464; B05B 11/06; B05B 9/08;  
B05B 7/2408; B65D 83/20  
See application file for complete search history.

(56) **References Cited**

**U.S. PATENT DOCUMENTS**

D609,773 S \* 2/2010 Abernethy ..... D23/202  
D616,959 S \* 6/2010 Wu ..... D23/202

7,854,396 B2 \* 12/2010 Wu ..... A01C 23/008  
239/152  
D633,984 S \* 3/2011 Plantz ..... D23/202  
D685,057 S \* 6/2013 Wirz Luchsinger ..... D23/202  
8,616,466 B2 \* 12/2013 Strauss ..... A01M 7/0046  
222/175  
D720,429 S \* 12/2014 Tinius ..... D23/225  
D749,192 S \* 2/2016 Fontaine ..... D23/225  
D755,926 S \* 5/2016 Wirz Luchsinger ..... D23/202  
D760,350 S \* 6/2016 Wirz Luchsinger ..... D23/225

\* cited by examiner

*Primary Examiner* — Robin V Webster

(74) *Attorney, Agent, or Firm* — Bond Schoeneck & King, PLLC; George McGuire

(57) **CLAIM**

The ornamental design for a battery powered backpack sprayer unit, as shown and described.

**DESCRIPTION**

FIG. 1 is a first perspective view of a new and ornamental design for a battery powered backpack sprayer unit; FIG. 2 is a front elevation view thereof; FIG. 3 is a rear elevation view thereof; FIG. 4 is a first side elevation view thereof; FIG. 5 is a second side elevation view thereof; FIG. 6 is a top plan view thereof; and, FIG. 7 is a bottom plan view thereof.

**1 Claim, 7 Drawing Sheets**





FIG. 1



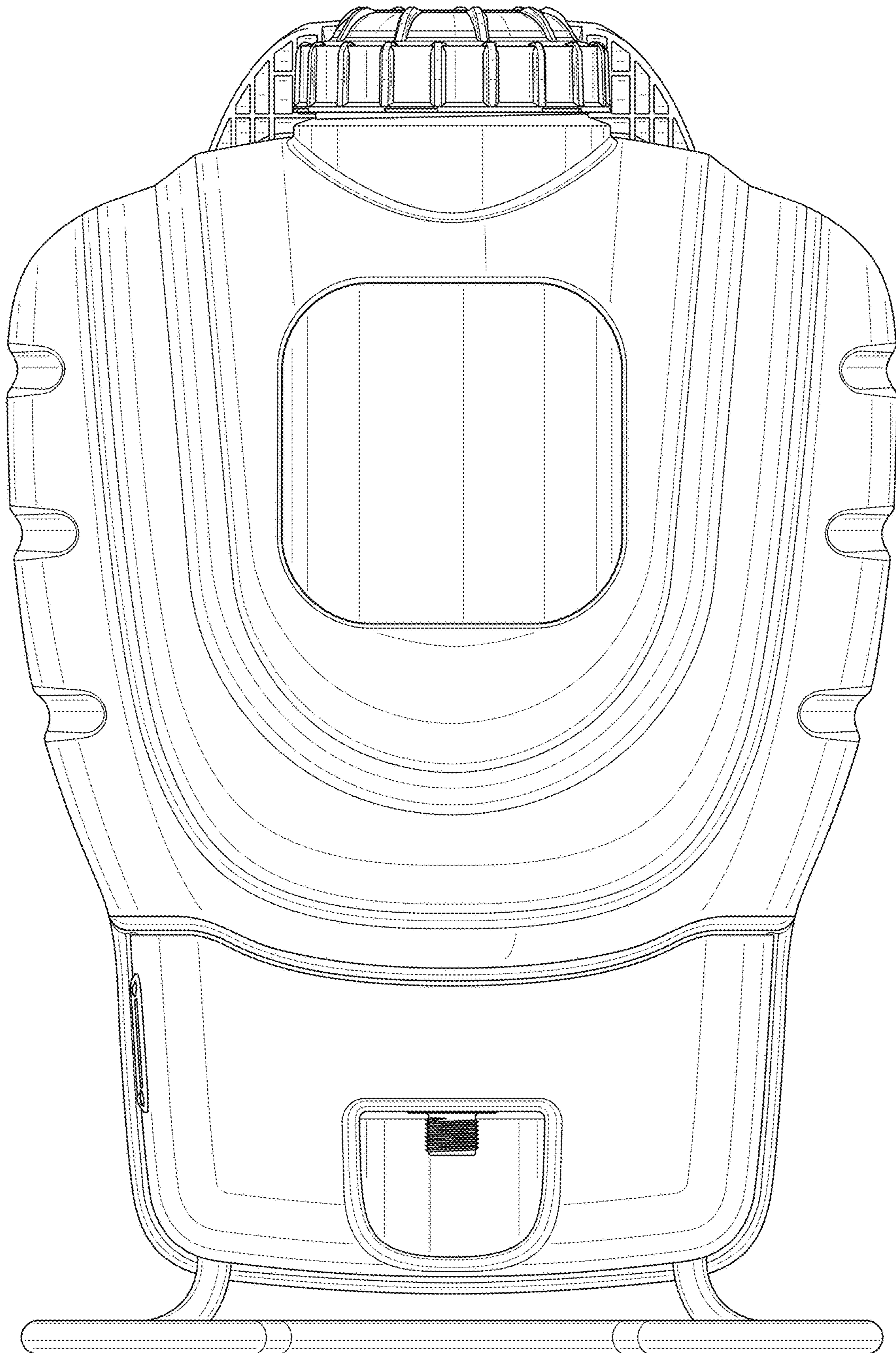


FIG. 2



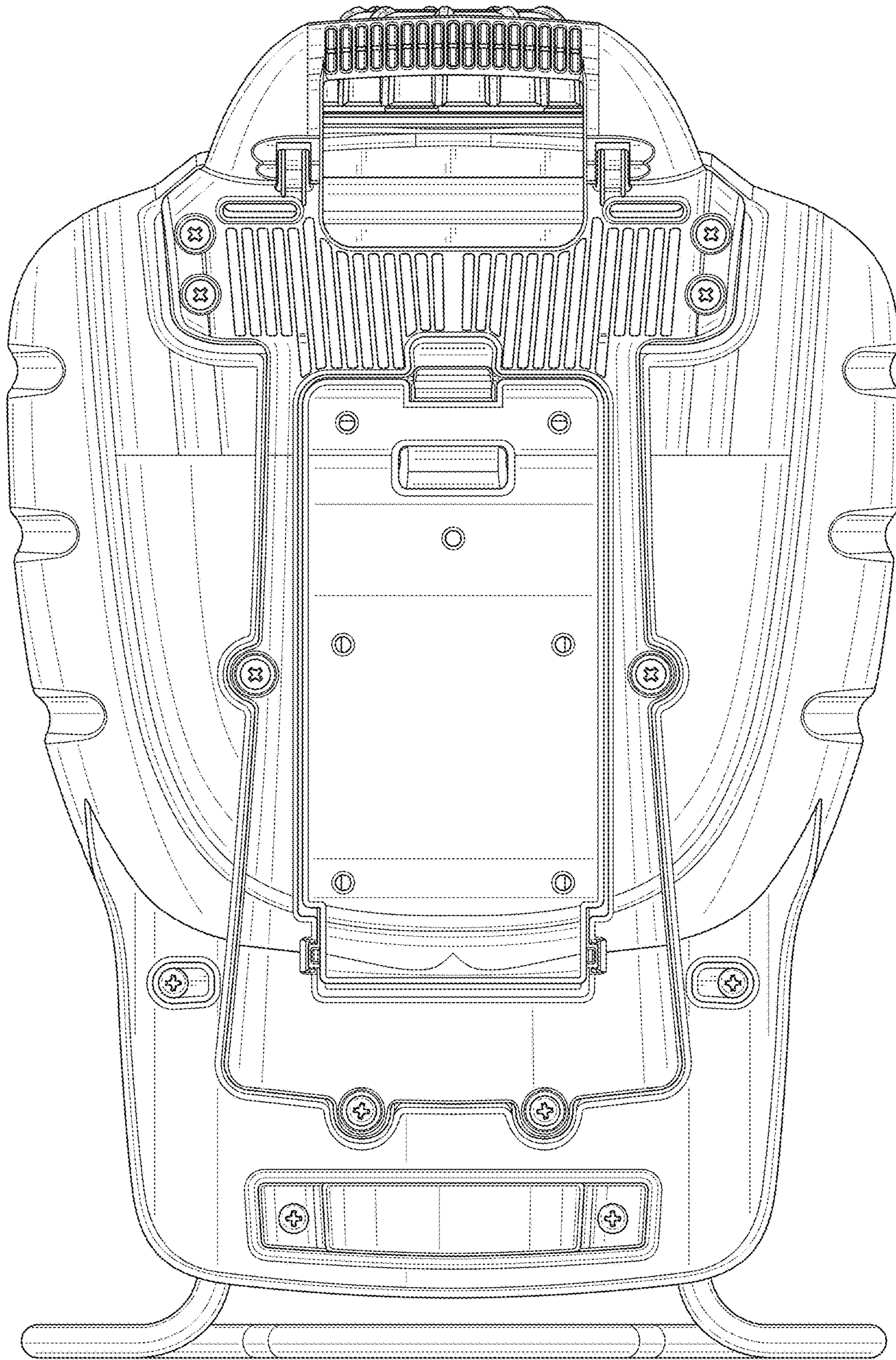


FIG. 3

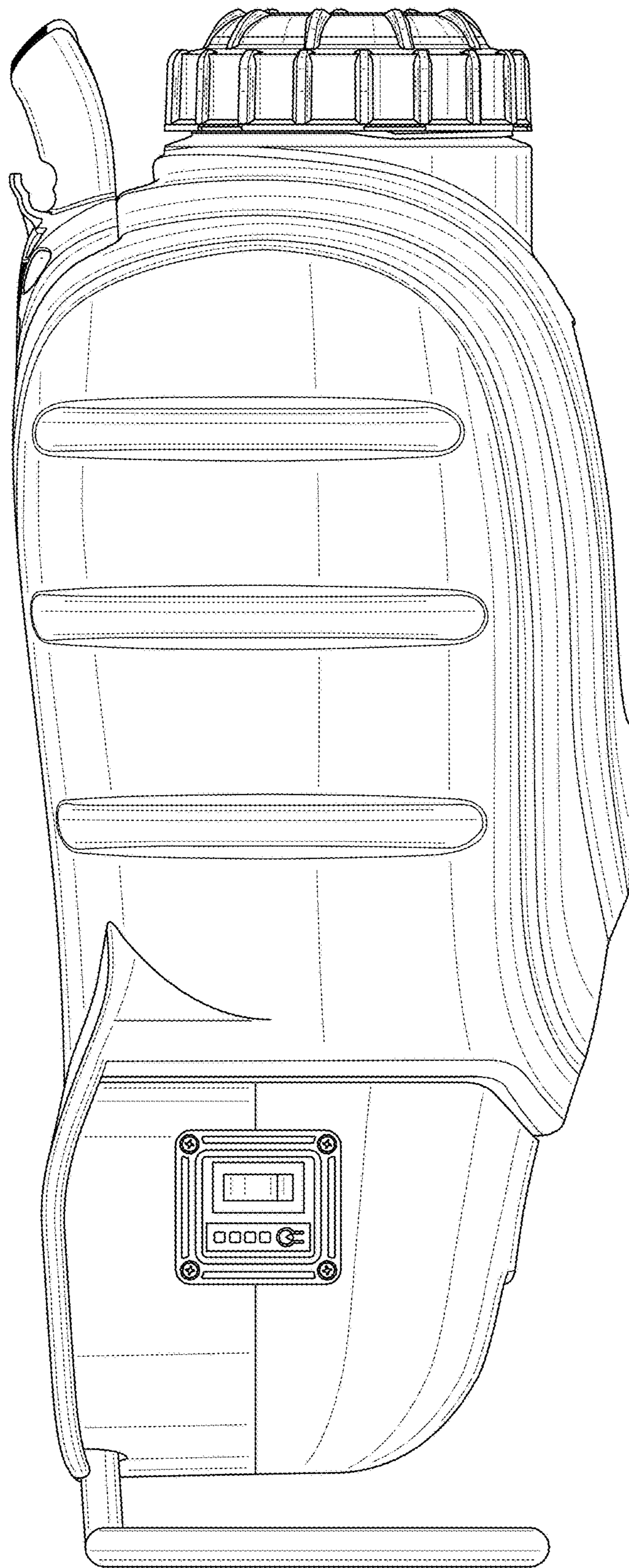


FIG. 4



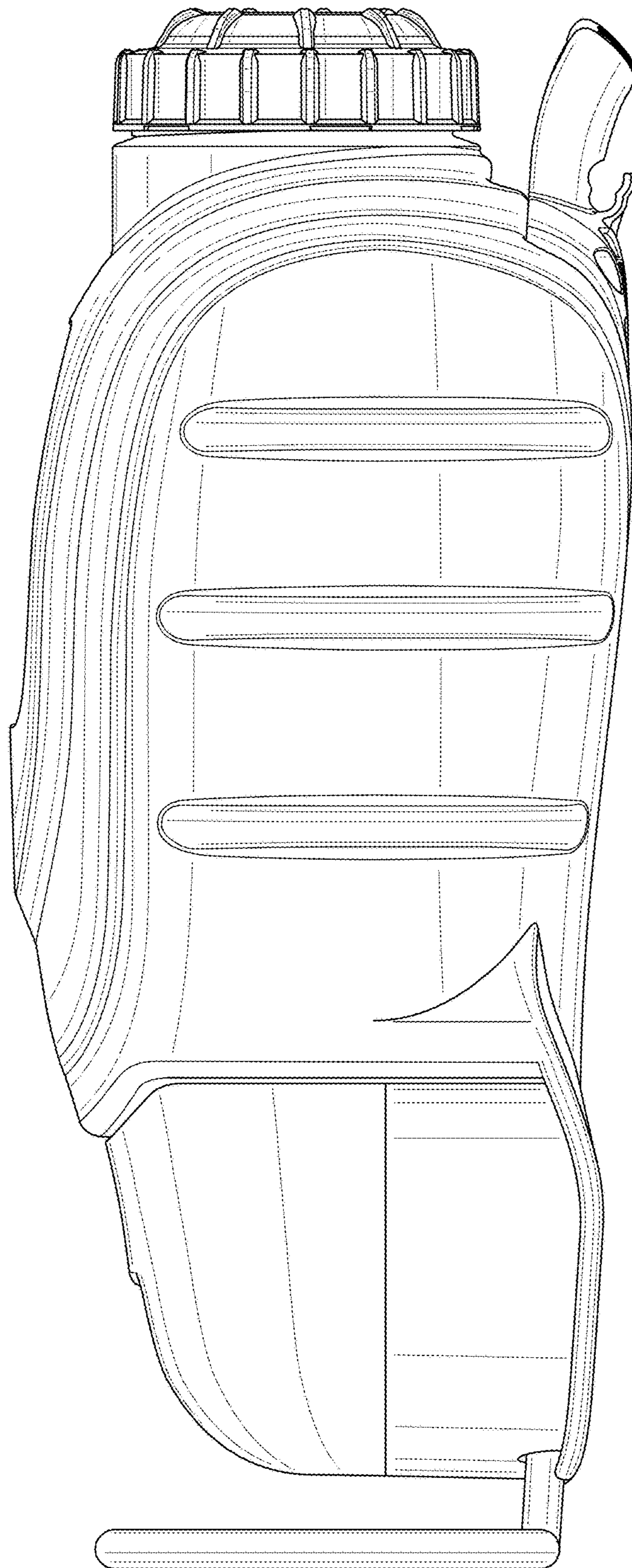


FIG. 5

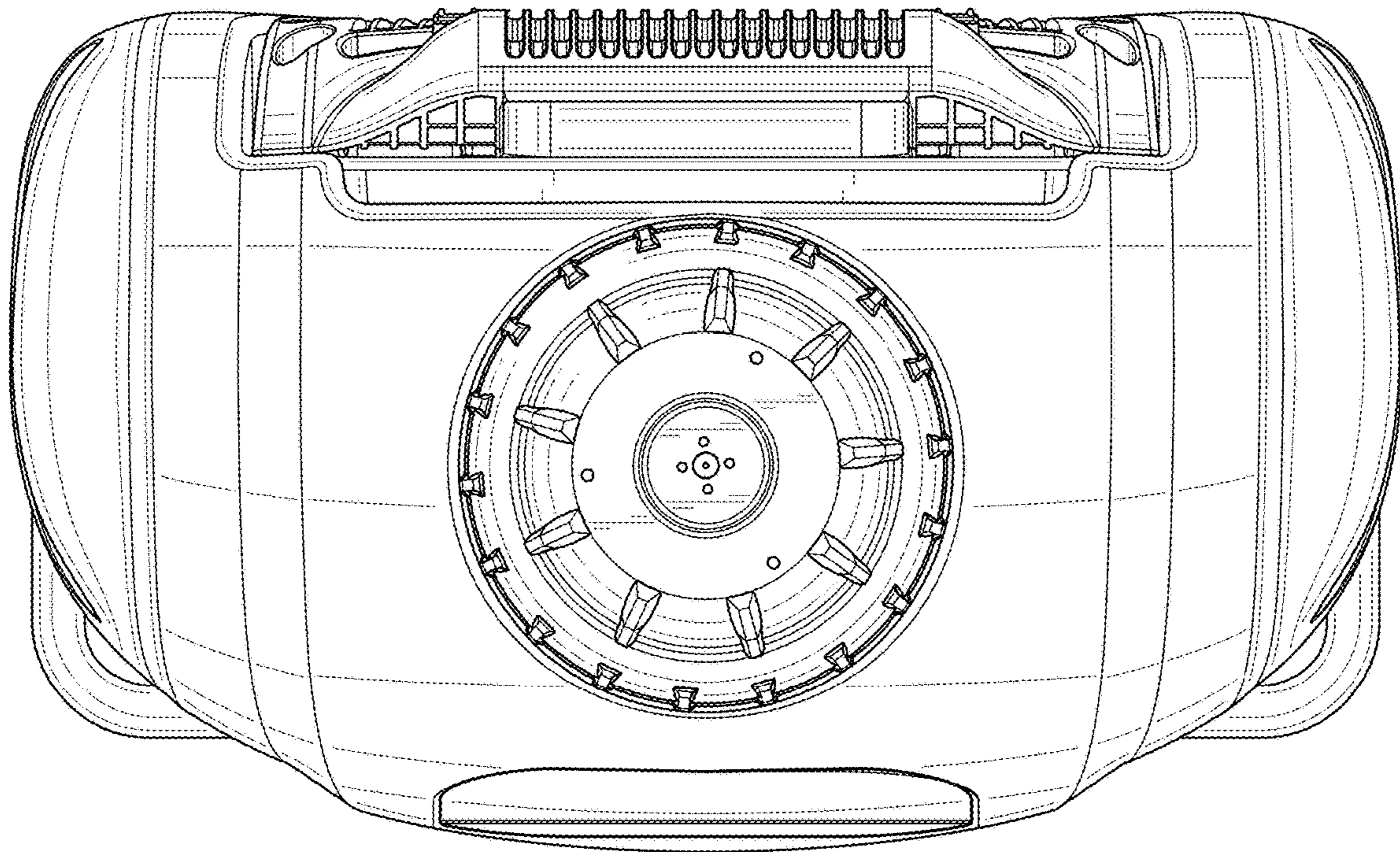


FIG. 6

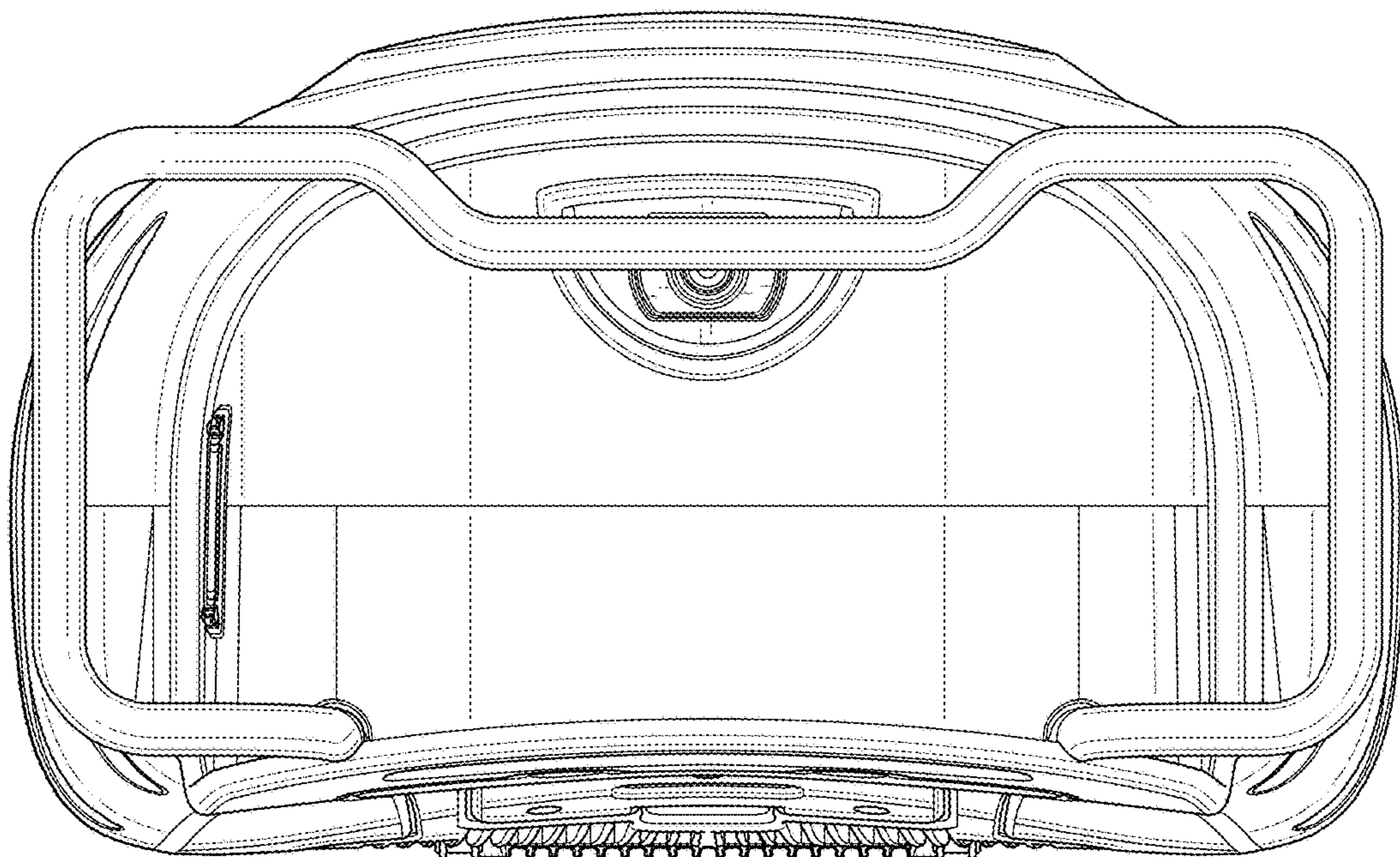


FIG. 7