



US00D809624S

(12) **United States Design Patent**
Langkamp

(10) **Patent No.:** **US D809,624 S**

(45) **Date of Patent:** **** Feb. 6, 2018**

(54) **FILTER FOR AQUARIUM**

(71) Applicant: **OASE GmbH**, Hörstel-Riesenbeck
(DE)

(72) Inventor: **Jürgen Langkamp**, Osnabrück (DE)

(73) Assignee: **OASE GmbH**, Hörstel-Riesenbeck
(DE)

(**) Term: **15 Years**

(21) Appl. No.: **29/576,432**

(22) Filed: **Sep. 2, 2016**

(30) **Foreign Application Priority Data**

Mar. 9, 2016 (EM) 003 021 393

(51) **LOC (11) Cl.** **23-01**

(52) **U.S. Cl.**
USPC **D23/210**

(58) **Field of Classification Search**
USPC D23/210, 207, 209; 210/416.2, 167.21,
210/167.01

CPC A01K 63/04; A01K 63/045; C02F 3/327;
C02F 1/76; B01D 35/26

See application file for complete search history.

(56) **References Cited**

U.S. PATENT DOCUMENTS

D190,273 S * 5/1961 Stark D23/210
D289,914 S * 5/1987 Willinger D23/210

D474,526 S * 5/2003 Mayer D23/210
D557,375 S * 12/2007 Mayer D23/210
D617,413 S * 6/2010 Wang D23/210
D686,694 S * 7/2013 Li D23/210
8,679,330 B2 * 3/2014 Muhlbauer A01K 63/045
119/259
8,702,981 B2 * 4/2014 Lutz A01K 63/045
210/167.21
D737,402 S * 8/2015 Tatic D23/209
9,445,580 B1 * 9/2016 Smith A01K 63/04

* cited by examiner

Primary Examiner — Robin V Webster

(74) *Attorney, Agent, or Firm* — Gudrun E. Huckett

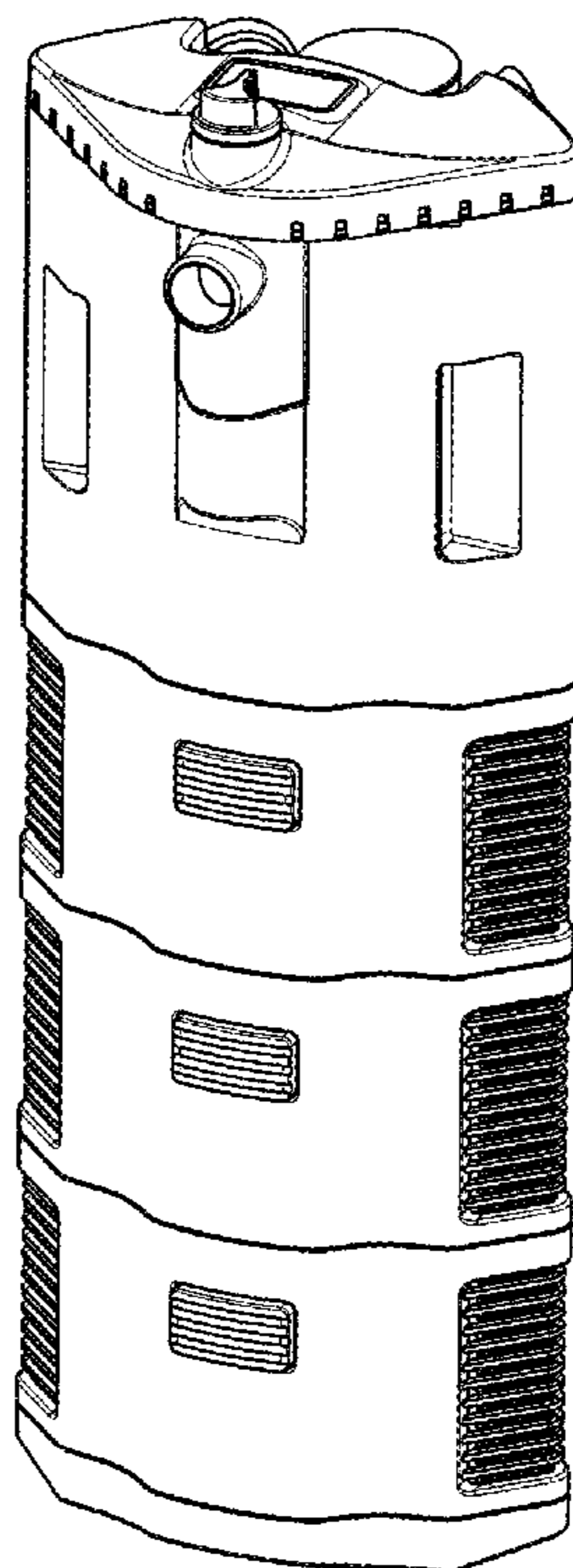
(57) **CLAIM**

The ornamental design for a filter for aquarium, as shown and described.

DESCRIPTION

FIG. 1 is a perspective front view of a filter for aquarium showing my new design;
FIG. 2 is a top plan view thereof;
FIG. 3 is a bottom plan view thereof;
FIG. 4 is a front elevation view thereof;
FIG. 5 is a rear elevation view thereof;
FIG. 6 is a left elevation view thereof; and,
FIG. 7 is a right elevation view thereof.

1 Claim, 7 Drawing Sheets



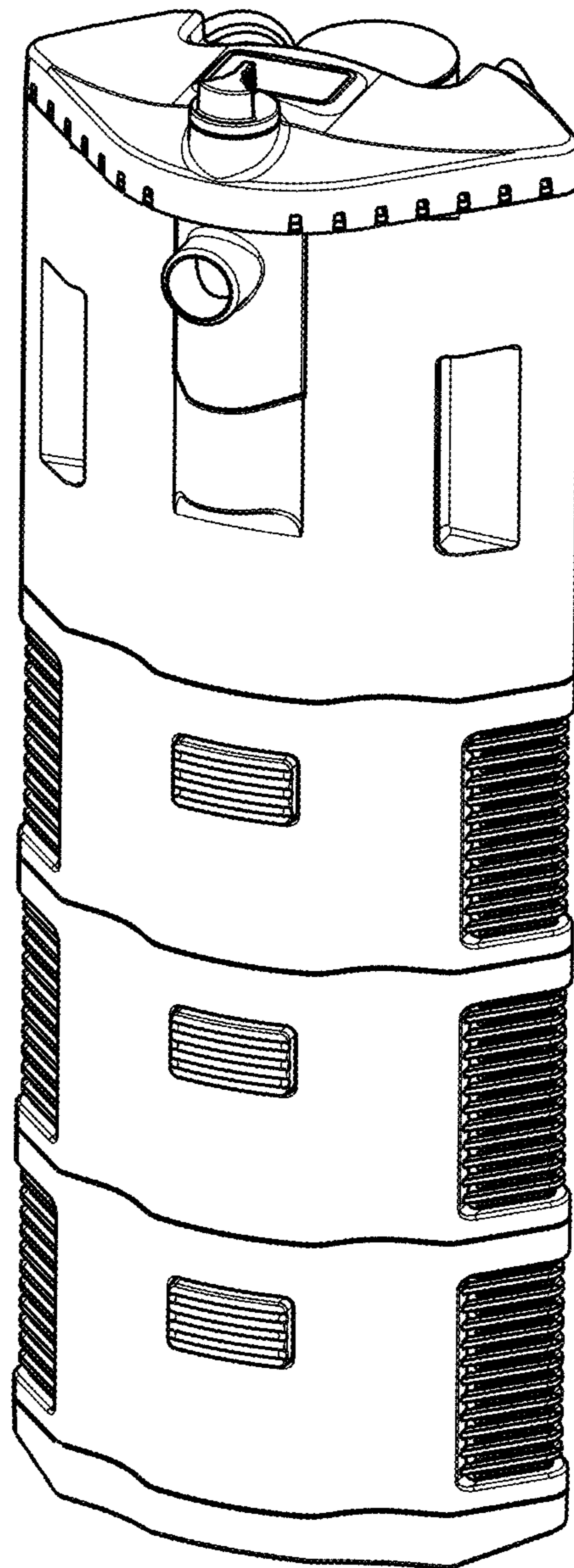


Fig. 1

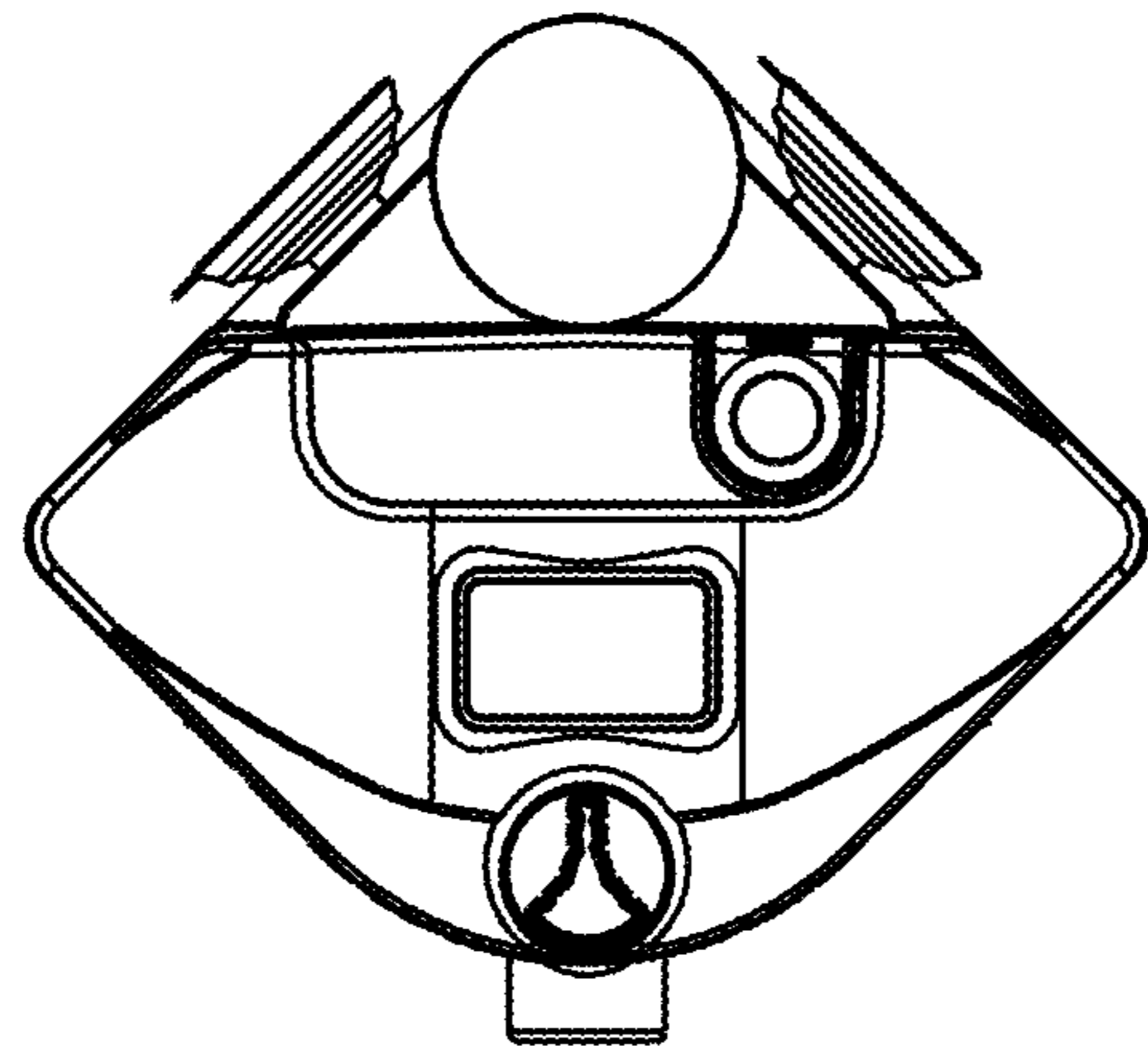


Fig. 2

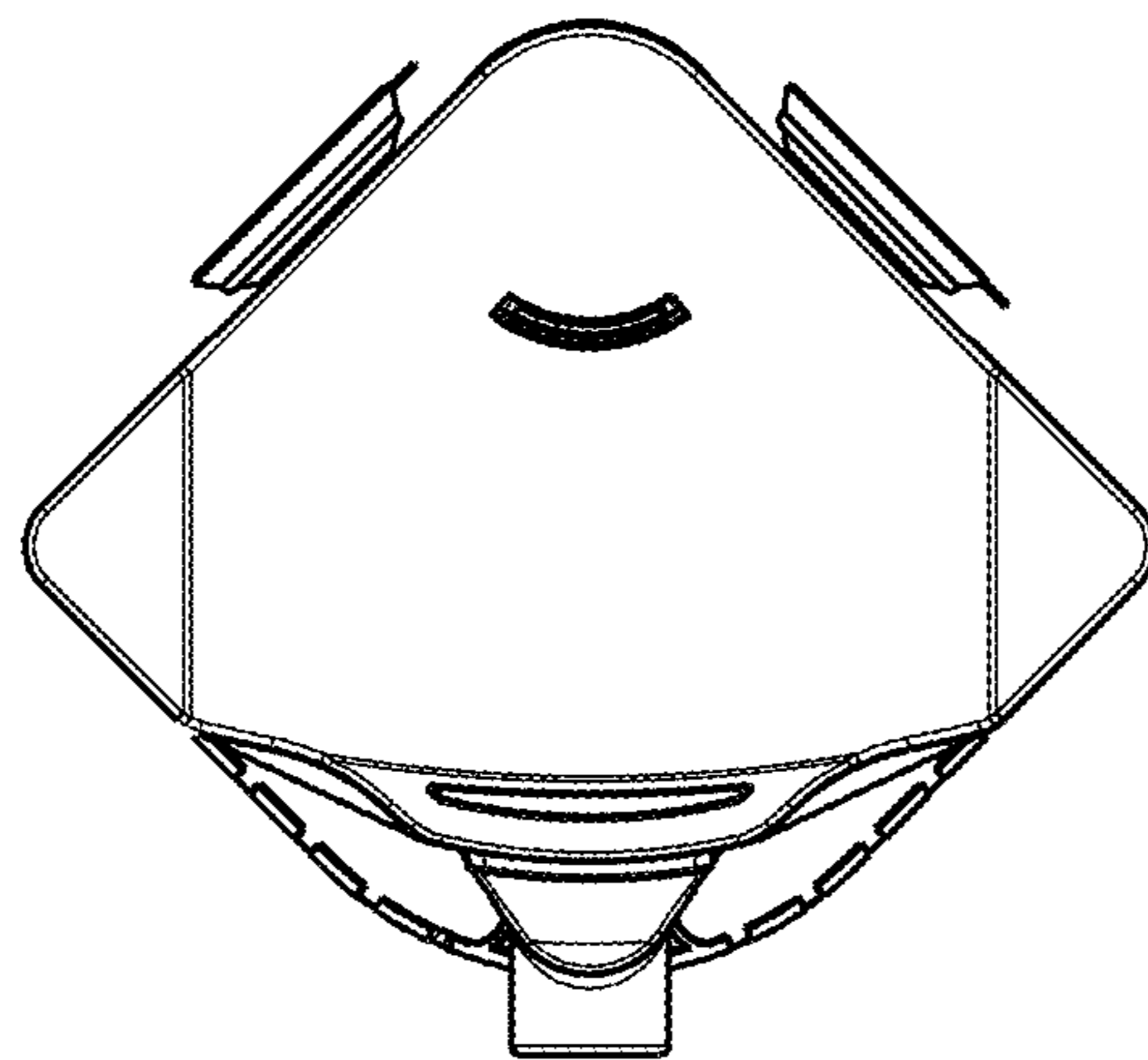


Fig. 3

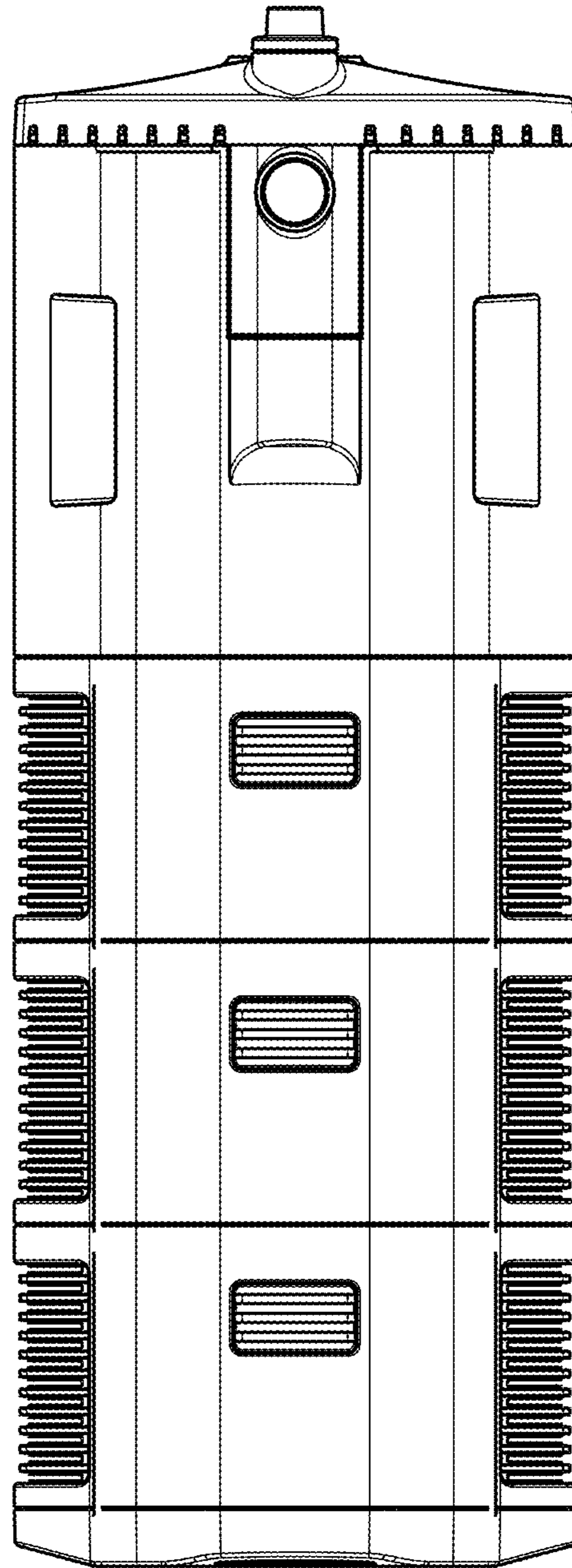


Fig. 4

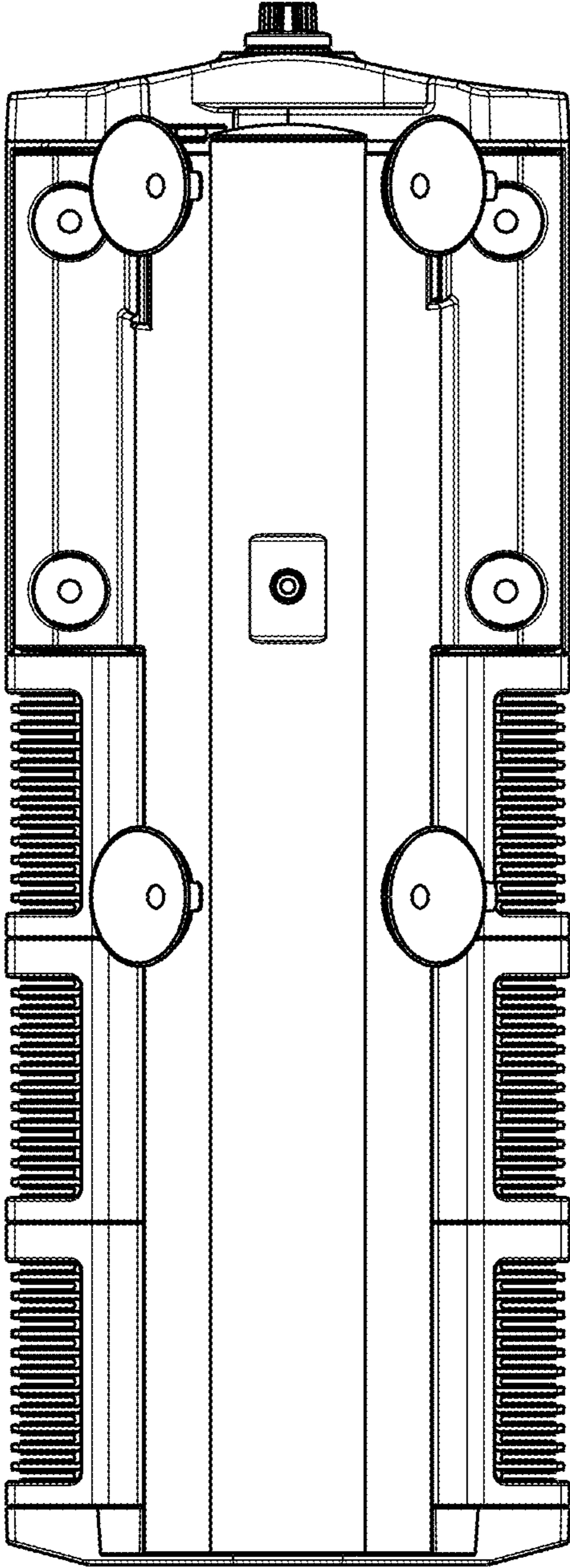


Fig. 5

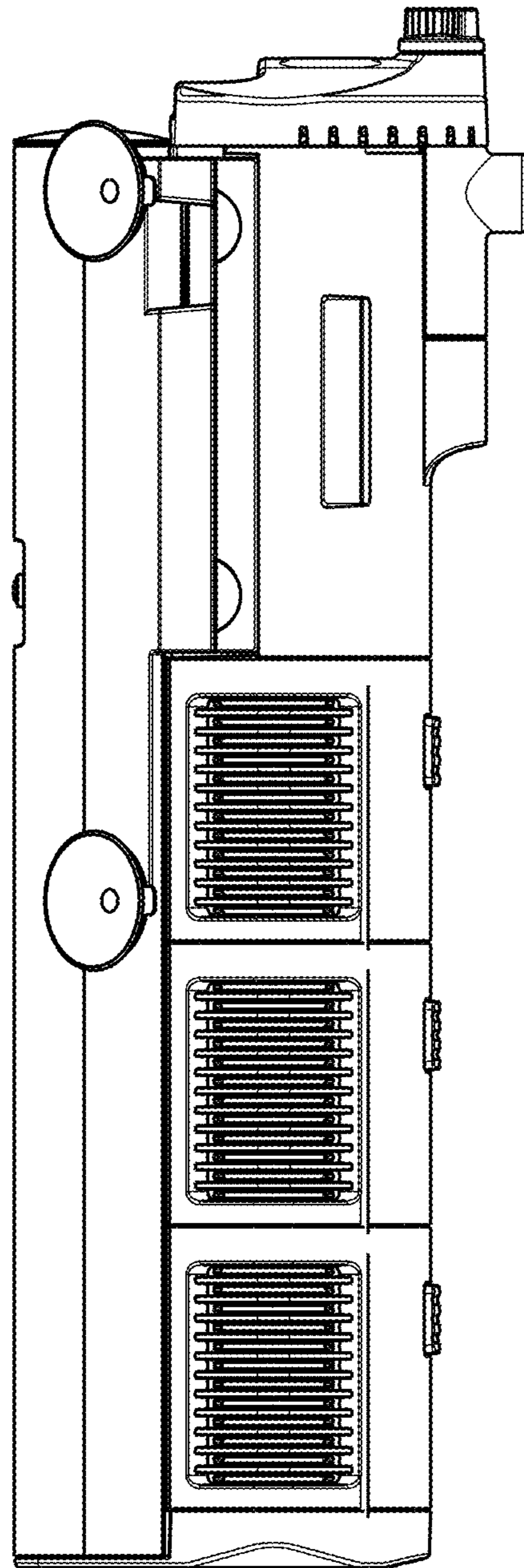


Fig. 6

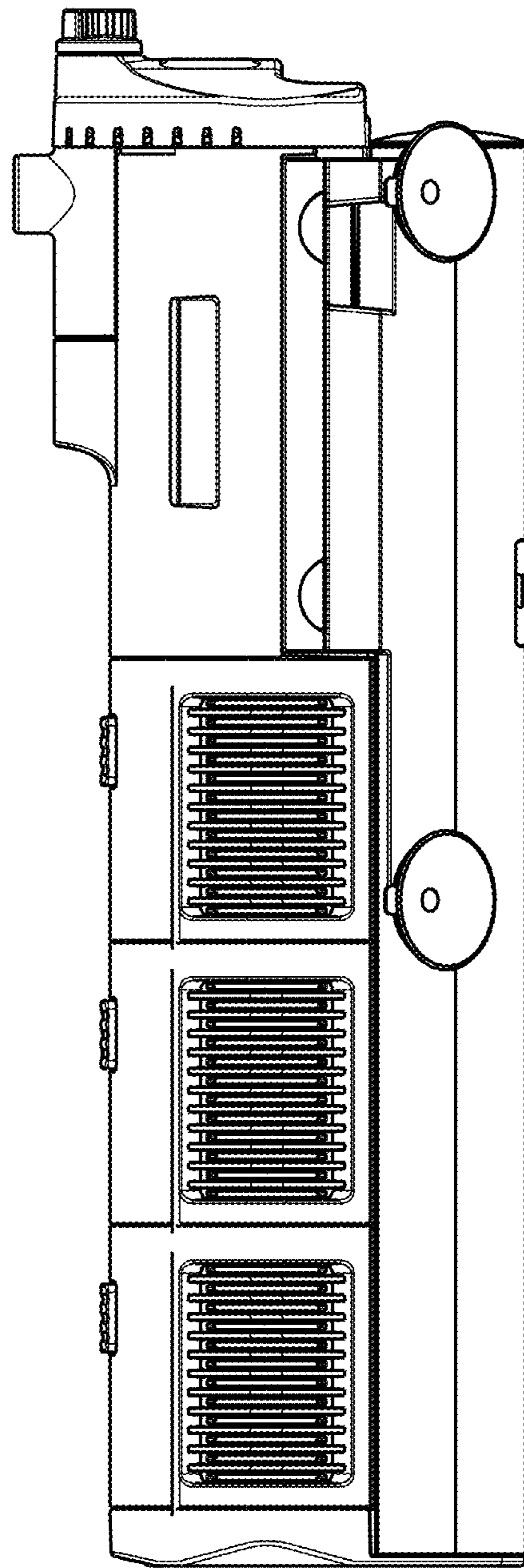


Fig. 7