



US00D809621S

(12) **United States Design Patent**
Lam et al.

(10) **Patent No.:** **US D809,621 S**
(45) **Date of Patent:** **** Feb. 6, 2018**

- (54) **CARBINE STOCK**
- (71) Applicants: **Samuel Yat Ming Lam**, Kowloon (HK); **Ka Kei Yeung**, Kowloon (HK)
- (72) Inventors: **Samuel Yat Ming Lam**, Kowloon (HK); **Ka Kei Yeung**, Kowloon (HK)
- (73) Assignee: **PTS SYNDICATE LIMITED**, Kowloon (HK)
- (**) Term: **15 Years**
- (21) Appl. No.: **29/557,416**
- (22) Filed: **Mar. 9, 2016**
- (51) **LOC (11) Cl.** **22-01**
- (52) **U.S. Cl.**
USPC **D22/108**
- (58) **Field of Classification Search**
USPC D22/100, 101, 103, 104, 105, 108–110; D21/333, 401, 461, 567, 568, 570–575; D14/418; 124/16, 26, 27, 28, 29, 54, 124/73–77; 222/78, 79; 42/51, 54, 57, 42/58, 71.01, 72, 73, 74, 75.03, 90; 446/23, 182, 192, 401, 403, 405–407, 446/473, 475
CPC F41C 23/00; F41C 23/02; F41C 23/04; F41C 23/06; F41C 23/08; F41C 23/10; F41C 23/12; F41C 23/14; F41C 23/16; F41C 23/18; F41C 23/20; F41C 23/22; F41C 7/02; F41C 7/04; F41C 7/06; F41C 7/11; F41C 7/12; F41C 27/00; F41C 27/06
See application file for complete search history.

- D636,833 S * 4/2011 Mayberry D22/108
- D640,342 S * 6/2011 Fitzpatrick D22/108
- D661,366 S * 6/2012 Zusman F41C 23/04
D22/108
- D668,311 S * 10/2012 Rogers F41C 23/04
D22/108
- D683,808 S * 6/2013 Elkaim D22/108
- D692,087 S * 10/2013 Fitzpatrick D22/108

(Continued)

FOREIGN PATENT DOCUMENTS

CA 2631979 * 11/2009 F41A 23/12

OTHER PUBLICATIONS

STR Carbine Stock—Mil_Spec, Magpul.com, [online], [site visited Jan. 9, 2017]. <URL: <https://www.magpul.com/products/firearms-accessories/buttstocks/str-carbine-stock-mil-spec>>.*

(Continued)

Primary Examiner — T. Chase Nelson
Assistant Examiner — Jonathan J Han
(74) *Attorney, Agent, or Firm* — Rabin & Berdo, P.C.

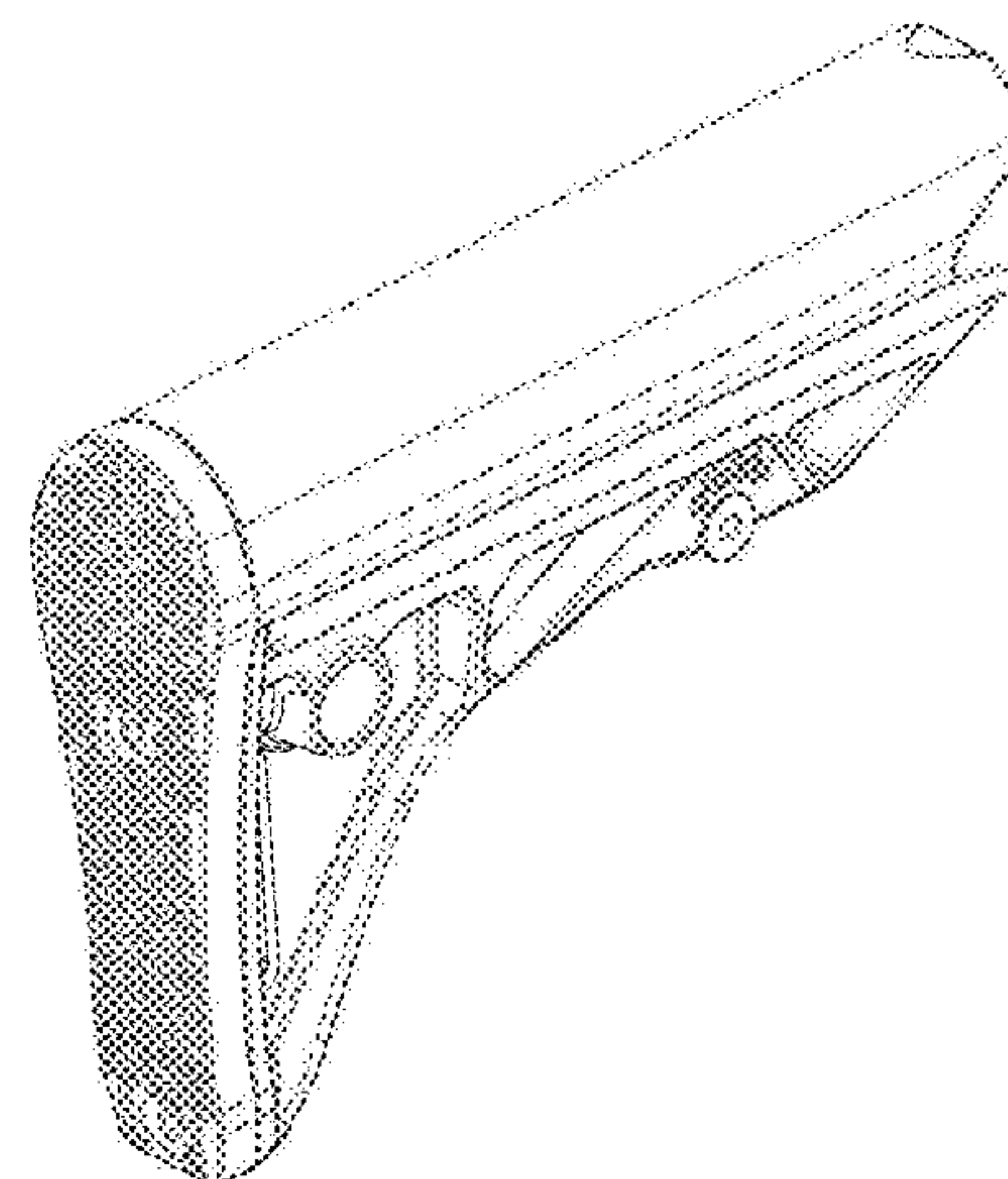
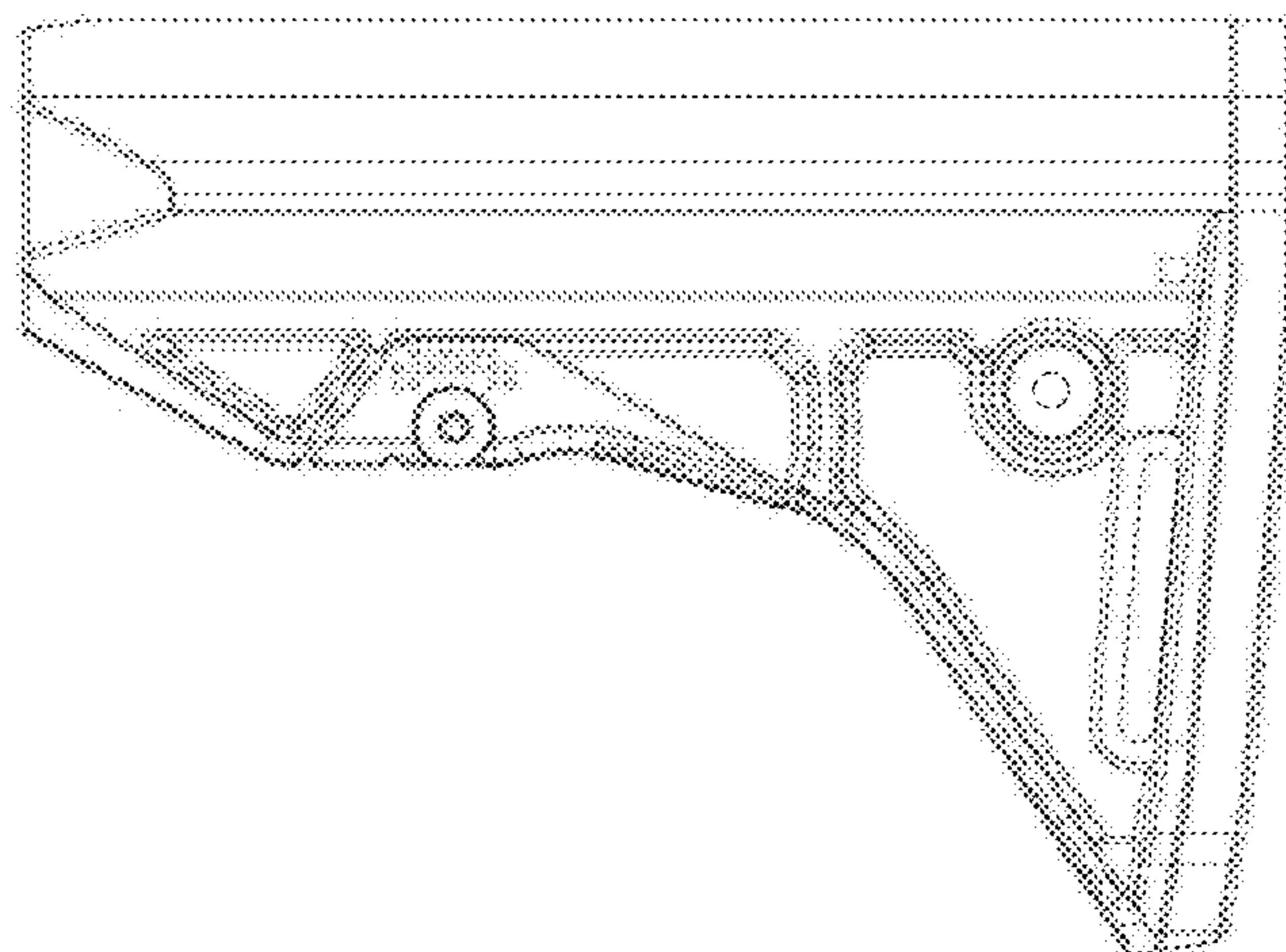
(57) **CLAIM**

The ornamental design for a carbine stock, as shown and described.

DESCRIPTION

FIG. 1 is a left view thereof a carbine stock showing our new design;
FIG. 2 is a right view thereof;
FIG. 3 is a rear side view thereof;
FIG. 4 is a front side view thereof;
FIG. 5 is a top plan view thereof;
FIG. 6 is a bottom plan view thereof; and,
FIG. 7 is a perspective view thereof.
The broken lines shown in the drawings are for illustrative purposes only and form no part of the claimed design.

1 Claim, 6 Drawing Sheets



(56)

References Cited

U.S. PATENT DOCUMENTS

8,726,558 B1 * 5/2014 Nason F41G 11/003
42/71.01
D706,879 S * 6/2014 Chu D21/573
D722,357 S * 2/2015 Keller D22/108
D722,669 S * 2/2015 Keller D22/108
8,950,099 B2 * 2/2015 Rogers F41C 23/04
42/71.01
8,978,284 B1 * 3/2015 Zusman F41C 23/22
42/1.06
D728,057 S * 4/2015 Daniel D22/108
9,015,980 B2 * 4/2015 Shull F41C 23/04
42/72
D736,336 S * 8/2015 Mayberry D22/108
D738,981 S * 9/2015 Zusman D22/108
D744,048 S * 11/2015 Chu D21/573
D745,622 S * 12/2015 Zusman D22/108
D747,427 S * 1/2016 Zusman D22/108
9,261,324 B1 * 2/2016 Liang F41C 23/04
9,404,708 B1 * 8/2016 Chow F41C 23/14
D773,005 S * 11/2016 Ding D22/108
9,488,434 B2 * 11/2016 Kielsmeier F41C 23/14
9,488,435 B1 * 11/2016 Roberts F41C 23/14
D773,593 S * 12/2016 Hopkins D22/108
9,523,552 B2 * 12/2016 Eitan F41C 23/02
2009/0255161 A1 * 10/2009 Fitzpatrick F41C 27/00
42/90
2010/0115817 A1 * 5/2010 Faifer F41C 23/06
42/71.01
2010/0205846 A1 * 8/2010 Fitzpatrick F41A 11/02
42/73
2010/0242334 A1 * 9/2010 Kincel F41C 23/04
42/74
2011/0173863 A1 * 7/2011 Ingram F41A 11/00
42/73

2012/0036757 A1 * 2/2012 Larue F41C 23/14
42/73
2012/0180359 A1 * 7/2012 Fitzpatrick F41C 23/16
42/71.01
2015/0052795 A1 * 2/2015 Burke F41C 23/14
42/71.01

OTHER PUBLICATIONS

UTG PRO Model 4 6-Position Mil-Spec S3 Stock Assembly-Black, PrimaryArms.com, [online], [site visited Jan. 9, 2017]. <URL: <http://www.primaryarms.com/utg-pro-model-4-6-position-mil-spec-s3-stock-assembly-black-rbus3bm>>.*
Magpul CTR Carbine Stock—Mil—Spec Model, DamageFactory.com, [online], [site visited Jan. 9, 2017]. <URL: <http://damagefactory.com/product/magpul-ctr-carbine-stock-mil-spec-model/>>.*
Magpul Now Shipping MOE SL-S Carbine Stocks, TheFirearmBlog.com, Posted Dec. 15, 2016, [online], [site visited Jan. 9, 2017]. <URL: <http://www.thefirearmblog.com/blog/2016/12/15/magpul-now-shipping-moe-sl-s-carbine-stocks/>>.*
Magpul ACS Carbine Stock, Mil-Spec, SKDtac.com, [online], [site visited Jan. 9, 2017]. <URL: <http://www.skdtac.com/Magpul-ACS-Carbine-Stock-Mil-Spec-p/mag.209.htm>>.*
MOE SL Carbine Stock—Mil—Spec, Magpul.com, [online], [site visited Jan. 9, 2017]. <URL: <https://www.magpul.com/products/moe-sl-carbine-stock-mil-spec>>.*
TAPCO Weapons Accessories—AR-15 Y6 Stock Assy Collapsible Carbine Length, Brownells.com, [online], [site visited Jan. 9, 2017]. <URL: <http://www.brownells.com/rifle-parts/stock-parts/buttstocks/ar-15-t6-stock-assy-collapsible-carbine-length-blk-sku100004296-27422-53393.aspx>>.*
B5 Enhanced COPMOD Milspec Stock—Black, BravoCompanyUSA.com, [online], [site visited Jan. 9, 2017]. <URL: [http://www.bravocompanyusa.com/B5-Enhanced-SOPMOD-p/b5\(1074\)enhanced-sopmod.htm](http://www.bravocompanyusa.com/B5-Enhanced-SOPMOD-p/b5(1074)enhanced-sopmod.htm)>.*

* cited by examiner

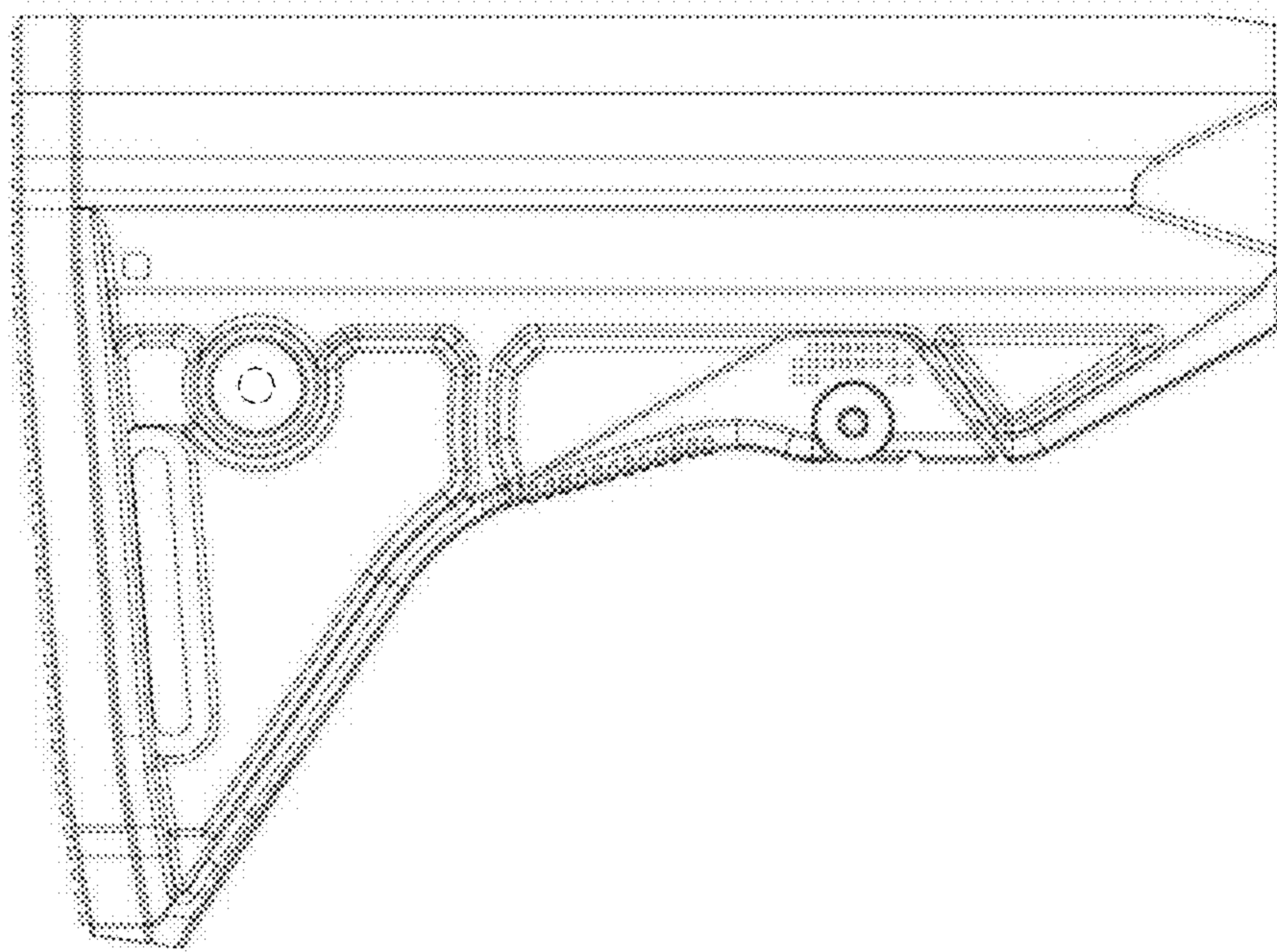


Fig. 1

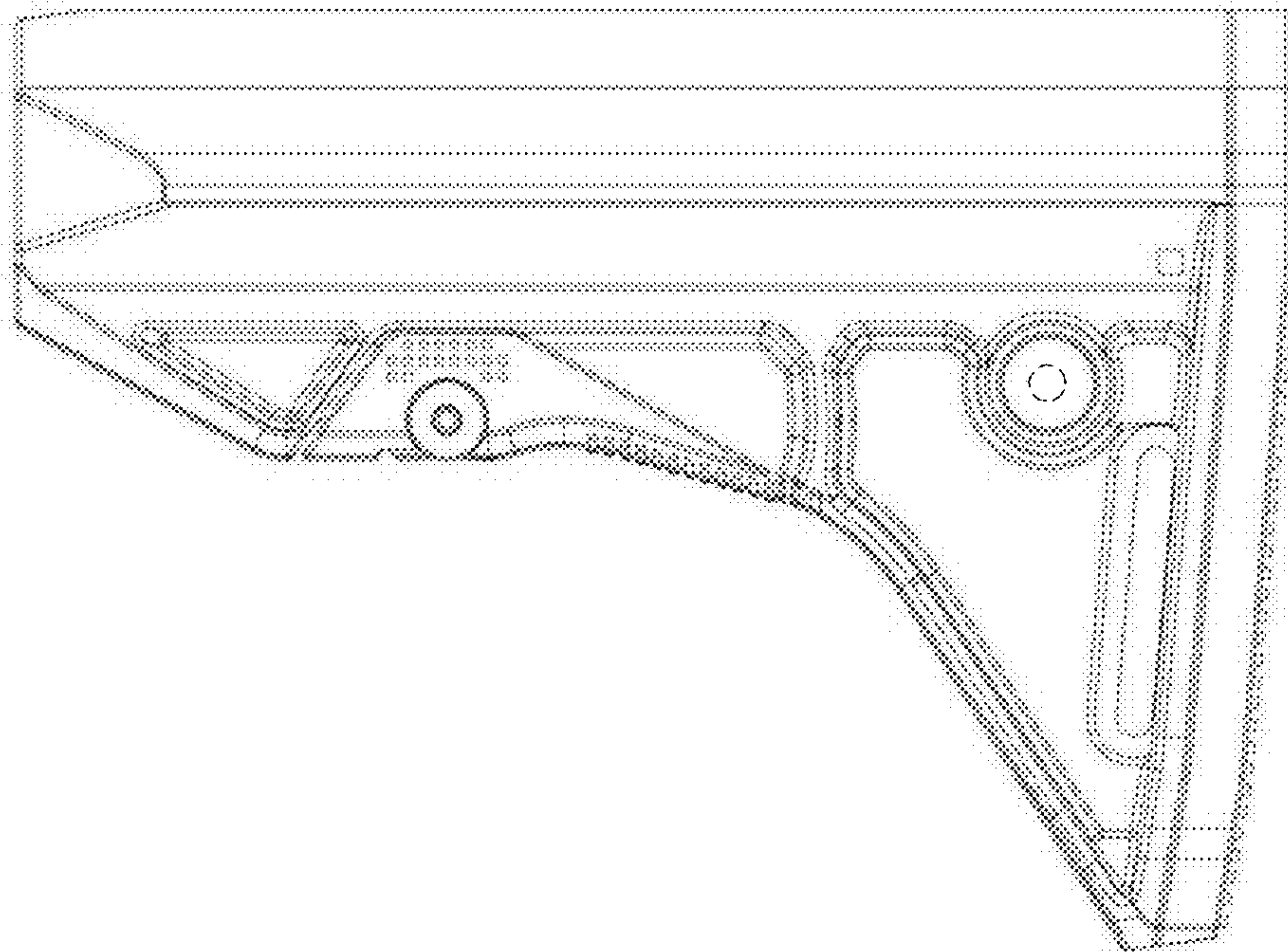


Fig. 2

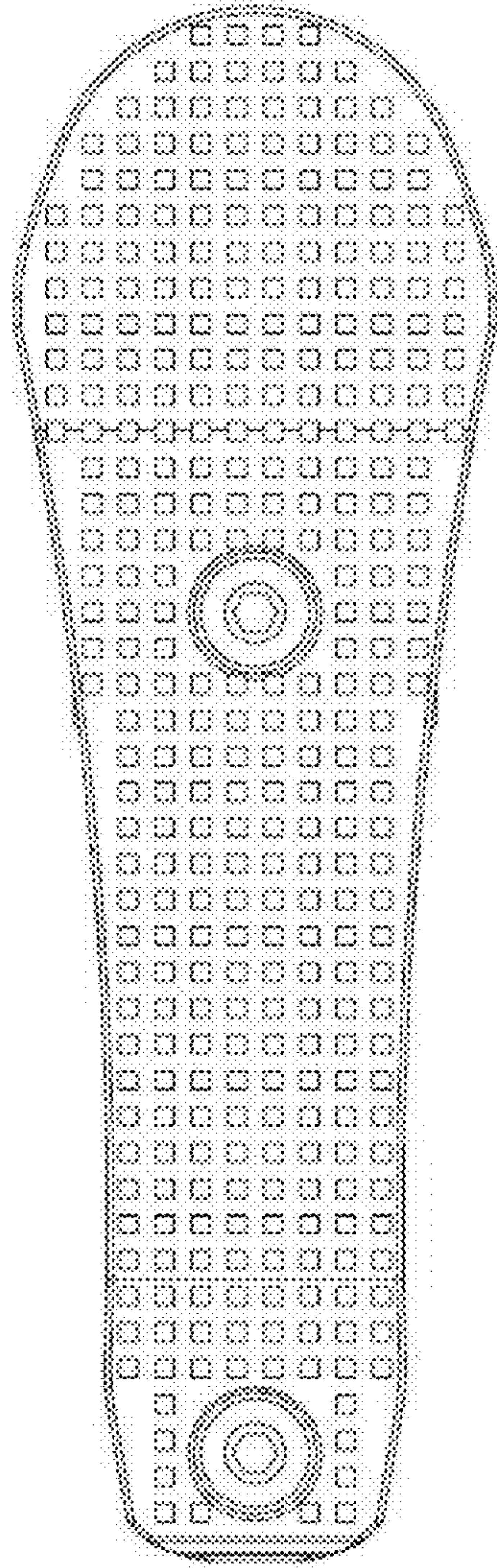


Fig. 3

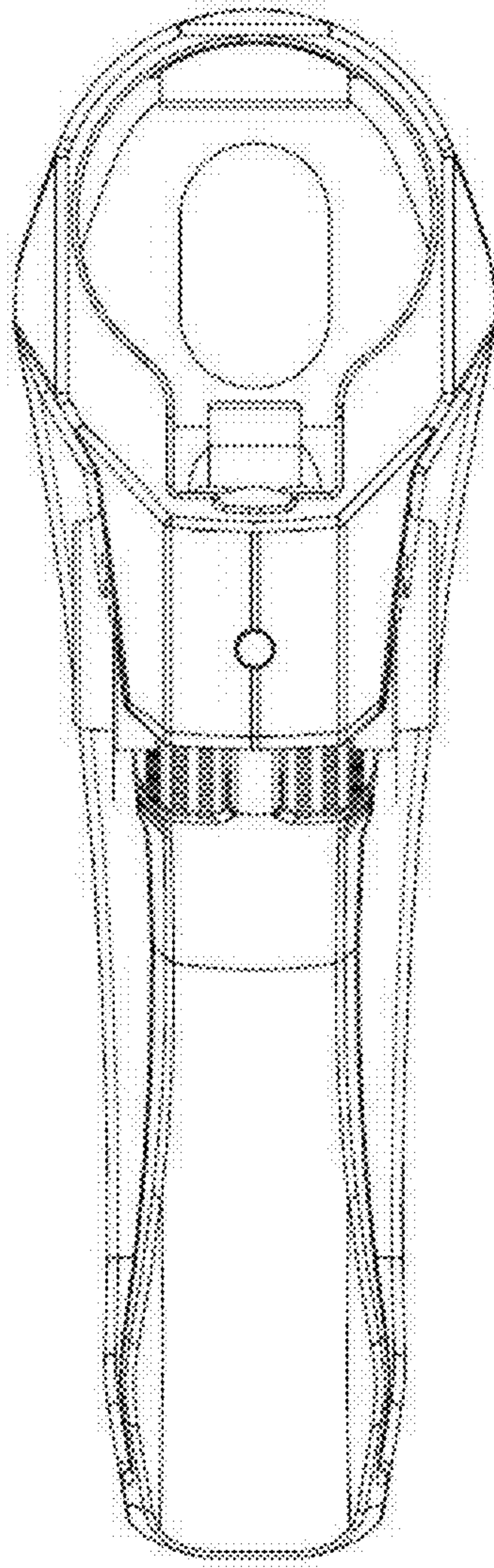


Fig. 4

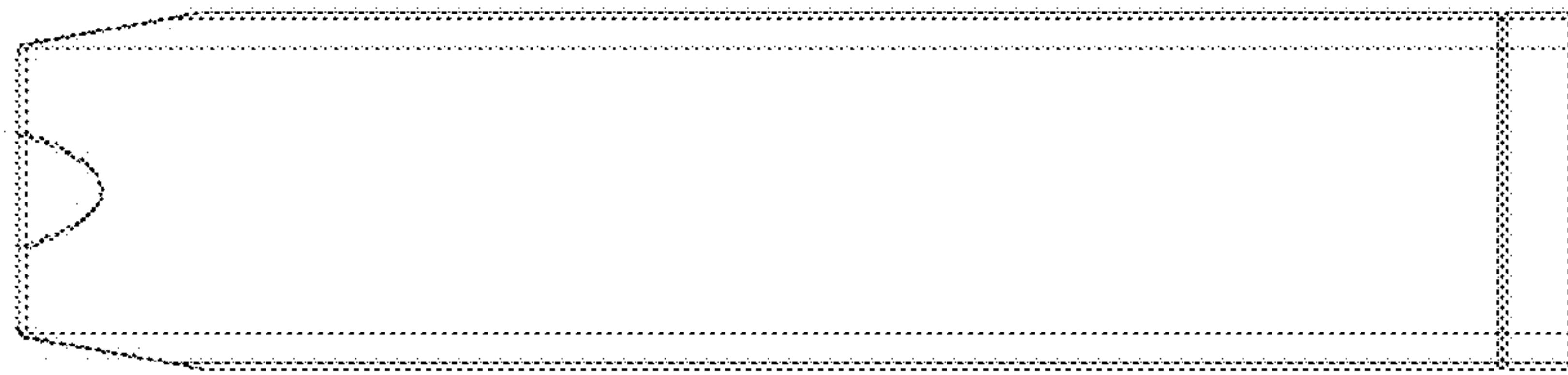


Fig. 5

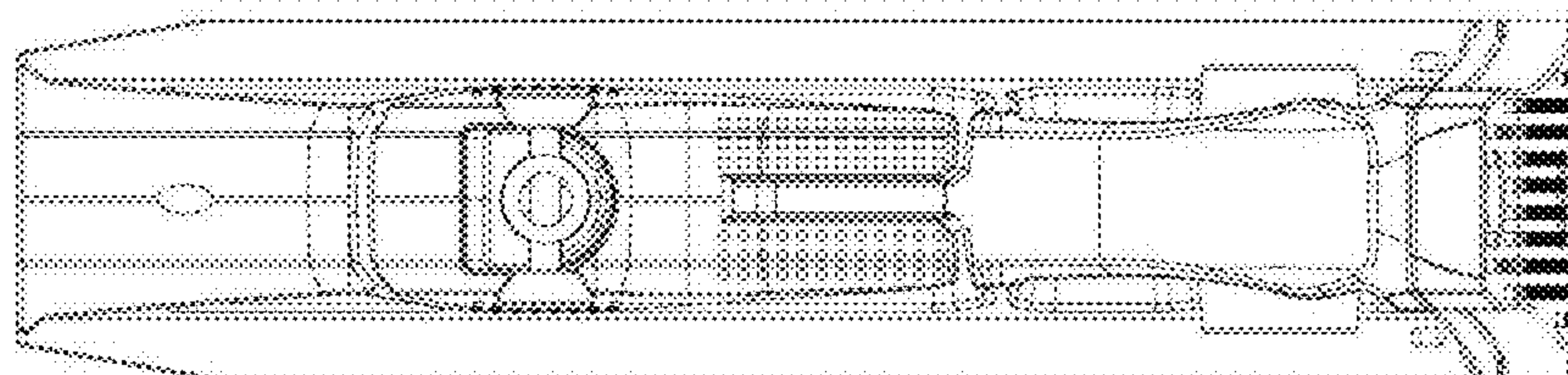


Fig. 6

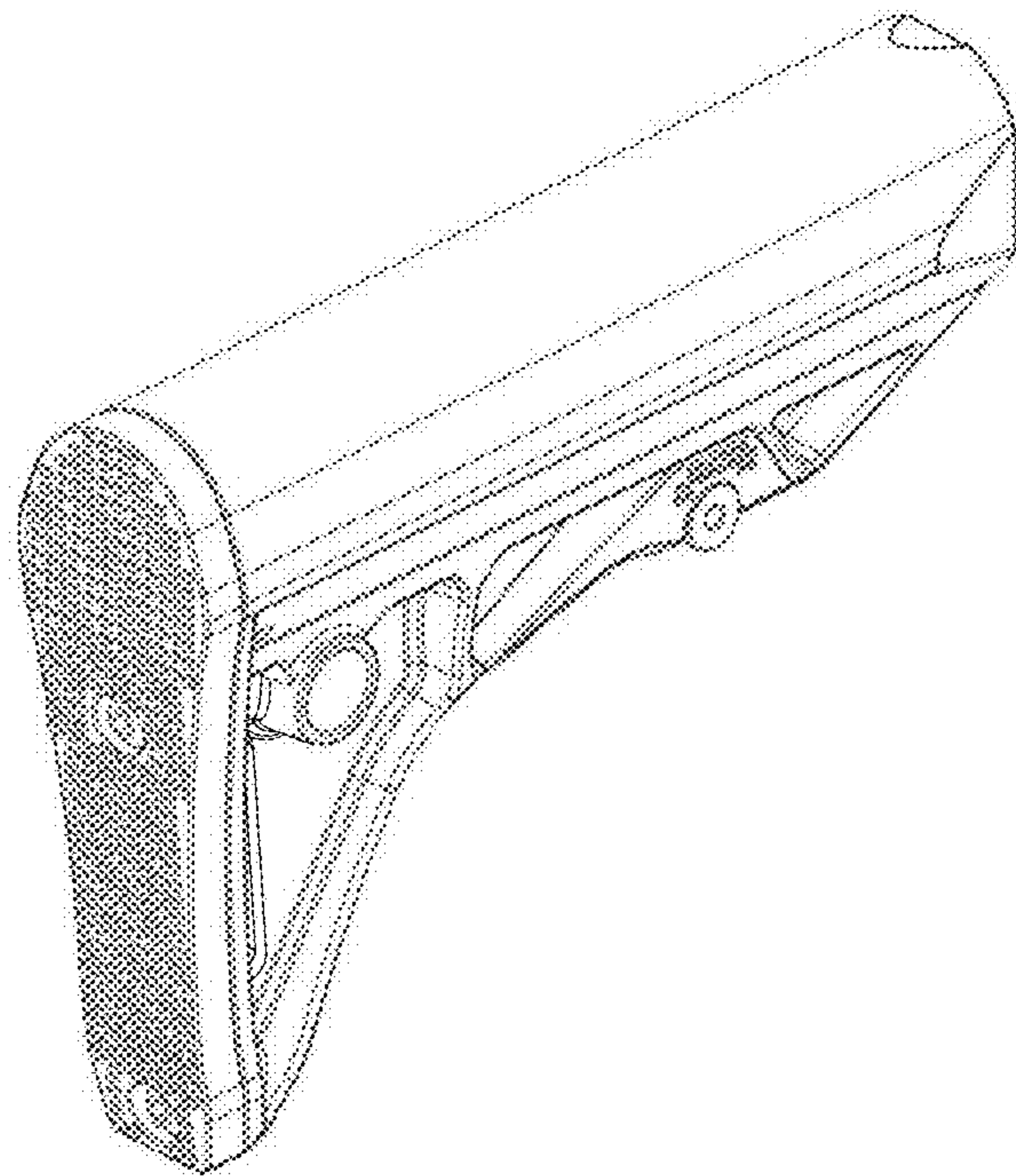


Fig. 7