



US00D809620S

(12) **United States Design Patent**  
**DiChario et al.**

(10) **Patent No.:** **US D809,620 S**  
(45) **Date of Patent:** **\*\* Feb. 6, 2018**

- (54) **DOUBLE BARREL SHOTGUN**
- (71) Applicant: **American Tactical, Inc.**, Summerville, SC (US)
- (72) Inventors: **Anthony DiChario**, Eutawville, SC (US); **Joel Edwards**, North Charleston, SC (US)
- (73) Assignee: **American Tactical, Inc.**, Summerville, SC (US)
- (\*\*) Term: **15 Years**

- 1,834,544 A \* 12/1931 Klebe ..... F41A 19/21 42/106
- D108,985 S \* 3/1938 Pugley ..... D22/103
- D180,389 S \* 6/1957 Bowman ..... D22/103
- D258,304 S \* 2/1981 Charcornac ..... D22/103
- D262,567 S \* 1/1982 Hillberg ..... D22/103
- 4,380,881 A \* 4/1983 Klavestad ..... F41A 19/41 42/42.01
- D295,545 S \* 5/1988 Bell ..... D22/103
- D304,223 S \* 10/1989 Ruger ..... D22/103
- 5,870,846 A \* 2/1999 Ledford ..... F41C 7/02 42/75.01
- 6,935,063 B1 \* 8/2005 Johnson ..... F41A 1/08 42/40

(Continued)

- (21) Appl. No.: **29/589,387**
- (22) Filed: **Dec. 30, 2016**
- (51) **LOC (11) Cl.** ..... **22-01**
- (52) **U.S. Cl.**  
USPC ..... **D22/103**
- (58) **Field of Classification Search**  
USPC ..... D22/103, 104, 105, 108-110; D21/333, D21/401, 461, 567, 568, 570-575; D14/100, 101; D8/103, 108; 124/16, 26, 124/27, 28, 29, 54, 73-77; 222/78, 79; 42/54, 57, 58; 446/23, 182, 192, 401, 446/403, 405-407, 473, 475  
CPC ..... F41C 23/10; F41C 23/14; F41C 23/16; F41C 23/18; F41C 23/00; F41C 27/00; F41C 27/06; F41C 7/00; F41C 7/11; F41C 7/12; F41A 5/18; F41A 5/24; F41A 21/28; F41B 11/89; F41B 7/08  
See application file for complete search history.

(56) **References Cited**

**U.S. PATENT DOCUMENTS**

- 308,513 A \* 11/1884 Newcomb ..... F41A 17/74 42/42.03
- 367,089 A \* 7/1887 Brown ..... F41A 3/58 42/40

**OTHER PUBLICATIONS**

American Tactical Road Agent, YouTube.com, ATIFirearms, Published on May 25, 2017, [online], [site visited Nov. 13, 2017]. <URL: <https://www.youtube.com/watch?v=2LFJGpDjli0>> (Year: 2017).\*

(Continued)

*Primary Examiner* — T. Chase Nelson  
*Assistant Examiner* — Jonathan J. Han  
(74) *Attorney, Agent, or Firm* — Woods Oviatt Gilman LLP; Katherine H. McGuire, Esq.

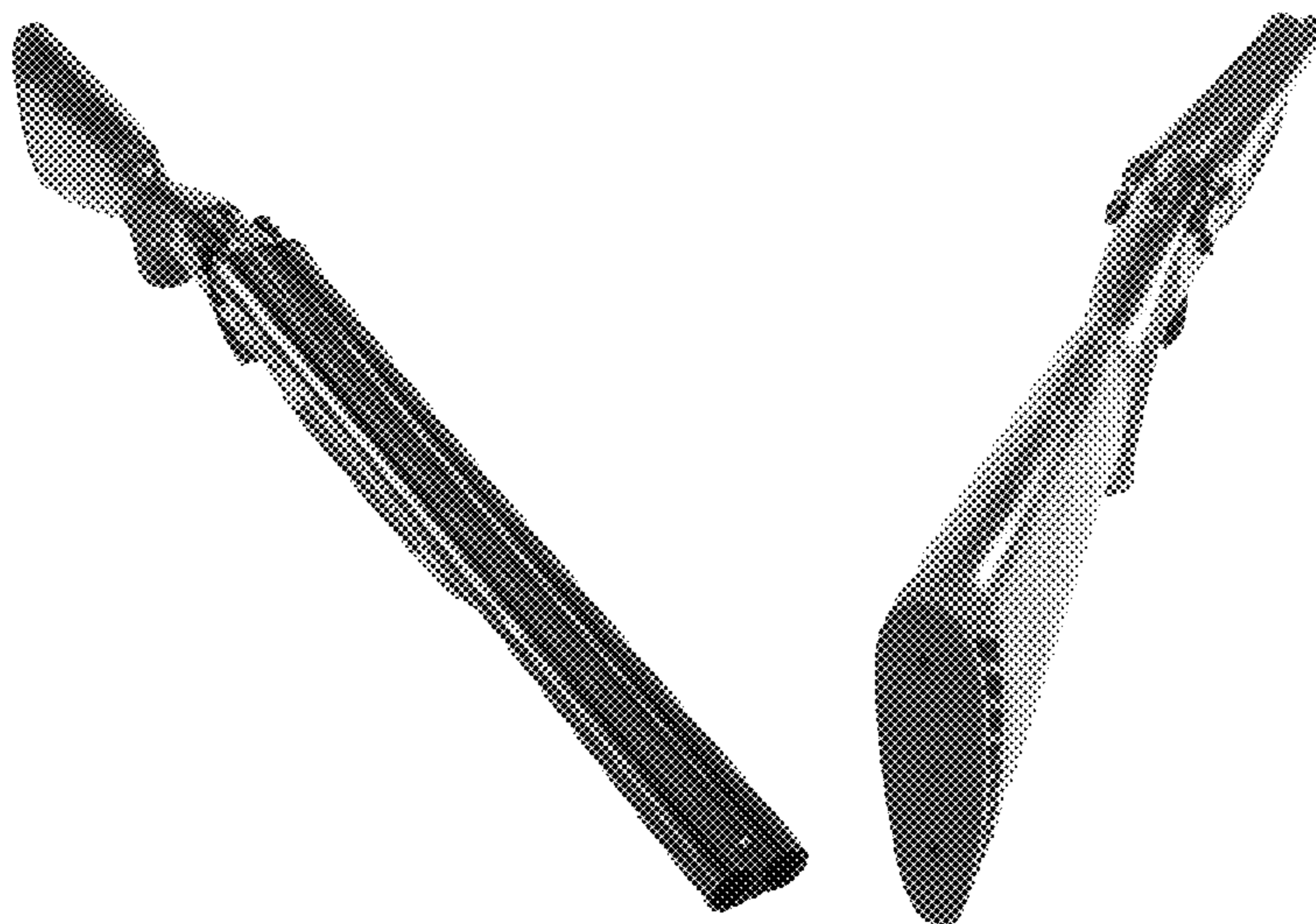
(57) **CLAIM**

The ornamental design for double barrel shotgun, as shown and described.

**DESCRIPTION**

FIG. 1 is a front perspective view of a double barrel shotgun; FIG. 2 is a rear perspective view thereof; FIG. 3 is a side elevational view thereof; FIG. 4 is a side elevational view thereof of the side opposite that shown in FIG. 3; FIG. 5 is a bottom plan view thereof; and, FIG. 6 is a top plan view thereof.

**1 Claim, 6 Drawing Sheets**



(56)

References Cited

U.S. PATENT DOCUMENTS

7,207,130 B2 \* 4/2007 Rousseau ..... F41A 3/58  
42/42.01  
D651,274 S \* 12/2011 Moretti ..... D22/103  
8,296,987 B1 \* 10/2012 Dlubak ..... F41A 21/08  
42/75.01  
D671,182 S \* 11/2012 Klotz ..... D22/103  
D678,453 S \* 3/2013 Klotz ..... D22/103  
D679,356 S \* 4/2013 Klotz ..... D22/103  
8,844,425 B2 \* 9/2014 Mueller ..... F41A 3/84  
42/1.06  
D717,386 S \* 11/2014 Moretti ..... D22/103  
D757,885 S \* 5/2016 Barfoot ..... D22/108  
D777,867 S \* 1/2017 Moretti ..... D22/103  
D781,391 S \* 3/2017 Findlay ..... D22/108  
2006/0248770 A1 \* 11/2006 Moller ..... F41A 15/06  
42/46  
2009/0113780 A1 \* 5/2009 Irwin ..... F41G 1/16  
42/112  
2010/0071242 A1 \* 3/2010 Lesenfans ..... F41A 9/71  
42/49.02  
2011/0203151 A1 \* 8/2011 Mossberg ..... F41A 9/54  
42/70.01  
2014/0059910 A1 \* 3/2014 Norton ..... F41A 3/26  
42/9

OTHER PUBLICATIONS

Now in Stock—ATI Road Agent 12GA SXS with Decocker, AmericanTactical.us, [online], [site visited Nov. 13, 2017]. <URL: <https://www.americantactical.us/5613/detail.html>> (Year: 2017).\*

American Tactical drops new Road Agent 12-gauge shotgun, Guns.com, Sep. 8, 2017 by Jacki Billings, [online], [site visited Nov. 13, 2017]. <URL: <http://www.guns.com/2017/09/08/american-tactical-road-agent-12-gauge/>> (Year: 2017).\*

American Tactical Road Agent Double Barrel Shot Gun: New before Shot Show 2017, YouTube.com, God family and guns, Published on Nov. 5, 2016, [online], [site visited Nov. 13, 2017]. <URL: <https://www.youtube.com/watch?v=WK9ZallgXsU>> (Year: 2016 ).\*

Double-Barrel Hammer Coach Gun 12-Gauge 20" Barrel, TaylorsFirearms.com, [online], [site visited Nov. 13, 2017]. <URL: <http://www.taylorsfirearms.com/double-barrel-hammer-coach-gun-12-gauge-20-case-hardened-frame-rebounding-mule-ear-external-hammers-walnut-checked-pistol-grip-model-600102.html>> (Year: 2017).\*

CZ Coach Gun Review, GunsAndAmmo.com, by Denis Prsbrey, May 24, 2009, [online], [site visited Nov. 13, 2017]. <URL: <http://www.gunsandammo.com/reviews/cz-coach-gun-review/>> (Year: 2017).\*

\* cited by examiner



FIG. 1

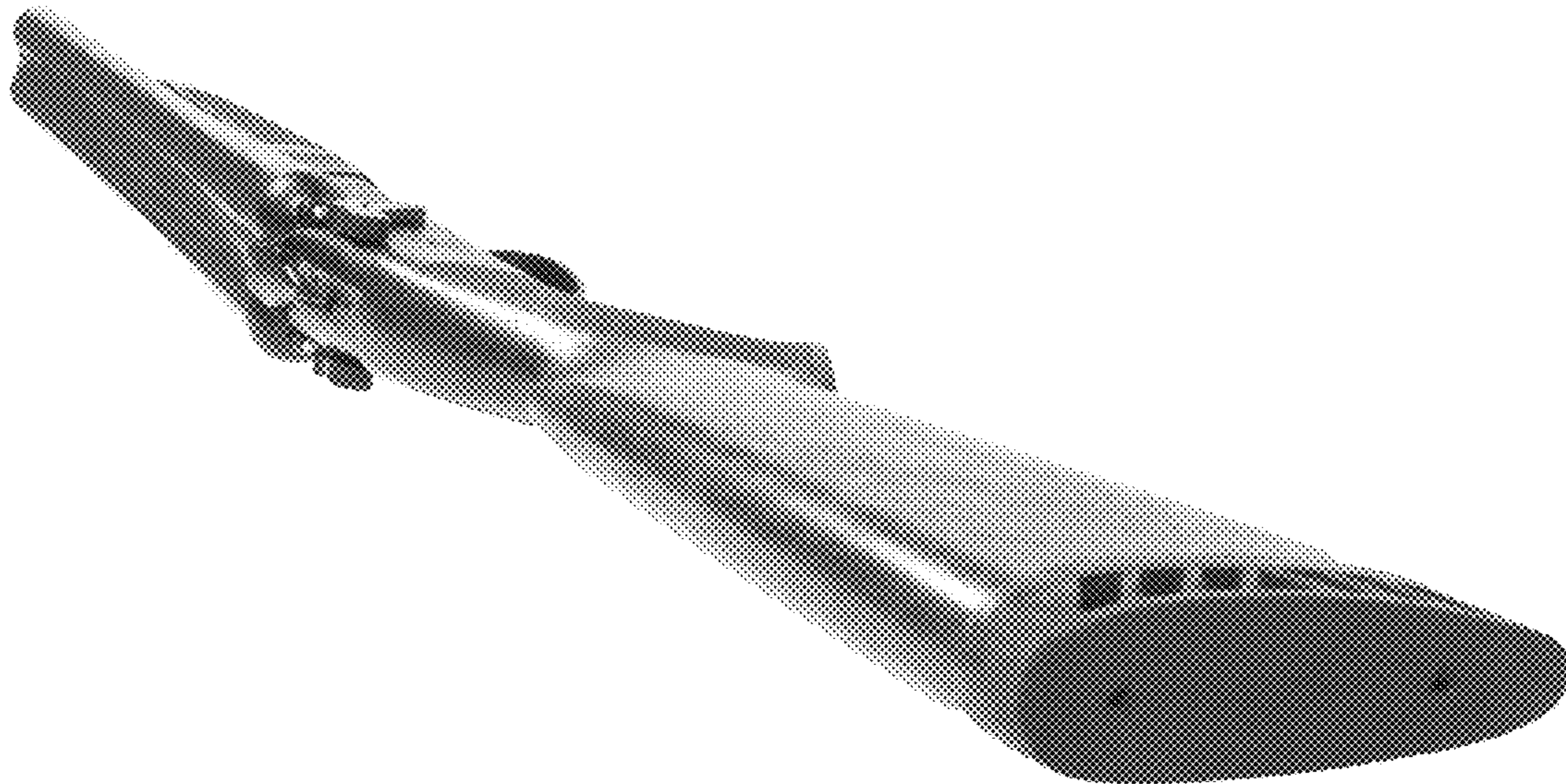


FIG. 2



FIG. 3



FIG. 4



FIG. 5

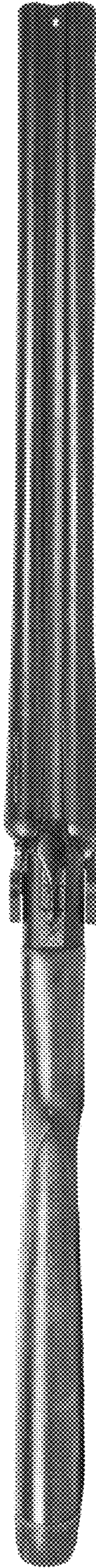


FIG. 6