



US00D809619S

(12) **United States Design Patent**  
**Jackson et al.**

(10) **Patent No.:** **US D809,619 S**  
(45) **Date of Patent:** **\*\* Feb. 6, 2018**

- (54) **CLIMBABLE PLAY SCULPTURE**
- (71) Applicant: **PLAYWORLD SYSTEMS, INC.**,  
Lewisburg, PA (US)
- (72) Inventors: **Jill Elaine Jackson**, Lewisburg, PA  
(US); **Michael Philip Laris**, Lewisburg,  
PA (US); **Eric Tritsch**, Millheim, PA  
(US); **Gregory Douglas Scott**,  
Lewisburg, PA (US); **Craig Phillip  
Mellott**, Beavertown, PA (US);  
**Gabriela Diego-Gomez**, Lewisburg, PA  
(US); **Aida Abolahrar**, Lewisburg, PA  
(US)
- (73) Assignee: **Playworld Systems, Inc.**, Lewisburg,  
PA (US)
- (\*\*) Term: **15 Years**
- (21) Appl. No.: **29/570,934**
- (22) Filed: **Jul. 13, 2016**
- (51) **LOC (11) Cl.** ..... **21-03**
- (52) **U.S. Cl.**  
USPC ..... **D21/826**
- (58) **Field of Classification Search**  
USPC ..... D21/811, 814, 826-827  
CPC ..... A63B 9/00; A63B 2009/002; A63B  
2009/004; A63B 2009/006; A63B 17/00;  
A63B 17/02  
See application file for complete search history.

(56) **References Cited**

**U.S. PATENT DOCUMENTS**

- 1,779,903 A \* 10/1930 Daragon ..... A63B 9/00  
482/23
- D135,935 S \* 7/1943 Miller ..... 482/37
- D173,173 S \* 10/1954 Rink ..... 482/36
- D180,402 S \* 6/1957 Harris, Jr. .... D21/797
- D180,902 S \* 9/1957 Goundie et al. .... D21/826

- D186,122 S \* 9/1959 Zierhut ..... D21/827
- D189,581 S \* 1/1961 Williams et al. .... D21/818
- D200,651 S \* 3/1965 Harris ..... D21/826
- 3,485,494 A \* 12/1969 Lieberman ..... A63B 9/00  
482/35
- D218,456 S \* 8/1970 Dattner ..... D21/826
- D218,460 S \* 8/1970 Dattner ..... 482/35
- D218,765 S \* 9/1970 Dattner ..... 482/35
- D219,604 S \* 12/1970 Wormser ..... D21/826
- 3,547,435 A \* 12/1970 Scott ..... A63B 9/00  
482/34
- 3,570,848 A \* 3/1971 Bowen ..... A63B 7/08  
482/34
- D222,487 S \* 10/1971 Korte ..... D21/826

(Continued)

*Primary Examiner* — Mitchell I. Siegel

(74) *Attorney, Agent, or Firm* — Polster, Lieder, Woodruff  
& Lucchesi LC

(57) **CLAIM**

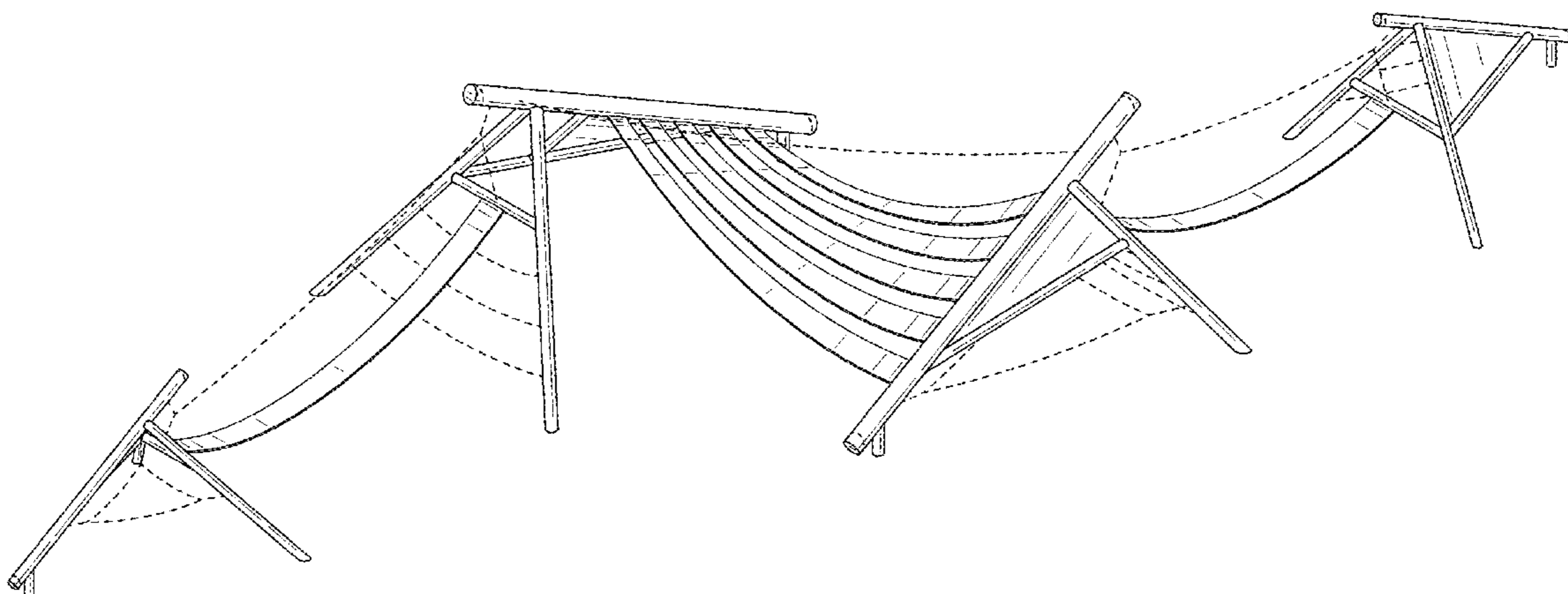
The ornamental design for a climbable play sculpture, as  
shown and described.

**DESCRIPTION**

FIG. 1 is a top-front-left side perspective view of a climbable play sculpture, showing the design;  
FIG. 2 is a front view of the climbable play sculpture of FIG. 1;  
FIG. 3 is a rear view of the climbable play sculpture of FIG. 1;  
FIG. 4 is a left side view of the climbable play sculpture of FIG. 1;  
FIG. 5 is a right side view of the climbable play sculpture of FIG. 1;  
FIG. 6 is a top view of the climbable play sculpture of FIG. 1; and,  
FIG. 7 is a bottom view of the climbable play sculpture of FIG. 1.

The broken lines in the drawings illustrate features that form no part of the claim.

**1 Claim, 5 Drawing Sheets**



(56)

References Cited

U.S. PATENT DOCUMENTS

D224,245 S *	7/1972	Hock	D21/823	D440,623 S *	4/2001	Gardner	D21/818
D238,889 S *	2/1976	Holmquist	D21/818	D455,190 S *	4/2002	Mantooth	D21/826
D245,435 S *	8/1977	Gnehm	D21/826	D455,470 S *	4/2002	Blackwood	D21/826
D246,477 S *	11/1977	Callecod	D21/826	D455,809 S *	4/2002	Blackwood	D21/826
D249,602 S *	9/1978	O'Connor	D14/447	D468,386 S *	1/2003	Frank	D21/818
D250,783 S *	1/1979	Dieter	472/116	D468,387 S *	1/2003	Ezell	D21/826
D251,262 S *	3/1979	Barrett	D21/822	D472,954 S *	4/2003	Kohler	D21/826
D252,166 S *	6/1979	Dieter	D21/826	D479,569 S *	9/2003	Van Deusen	D21/827
D257,053 S *	9/1980	Ezell	D21/823	D486,200 S *	2/2004	Van Deusen	D21/827
D257,165 S *	9/1980	Ezell	D21/823	D498,282 S *	11/2004	Gertschen	D21/826
D263,983 S *	4/1982	Carlson	D21/826	D515,166 S *	2/2006	Montfort	A63B 9/00
D268,693 S *	4/1983	Works	D21/822				D21/826
D268,858 S *	5/1983	Works	D21/822	D524,895 S *	7/2006	VanDeusen	D21/820
D271,037 S *	10/1983	Gordon	D21/822	D524,896 S *	7/2006	VanDeusen	D21/820
D277,222 S *	1/1985	Mower	D21/822	D524,897 S *	7/2006	VanDeusen	D21/820
D281,447 S *	11/1985	Gordon	D21/822	D524,898 S *	7/2006	VanDeusen	D21/820
D281,992 S *	12/1985	Saxman	D21/826	D524,899 S *	7/2006	VanDeusen	D21/820
D334,787 S *	4/1993	Bickford	D21/814	D531,692 S *	11/2006	Kvistad	D21/827
D360,927 S *	8/1995	VanDeusen	D21/615	D534,984 S *	1/2007	Nye	D21/818
D361,116 S *	8/1995	Shaneour	D21/821	D536,409 S *	2/2007	Nye	D21/822
D361,818 S *	8/1995	Von Parrish	D21/826	D536,410 S *	2/2007	Nye	D21/822
D363,524 S *	10/1995	Ziegler, Jr.	D21/823	D536,411 S *	2/2007	Nye	D21/822
D366,512 S *	1/1996	Ziegler, Jr.	D21/823	D554,227 S *	10/2007	Yates	D21/826
5,820,471 A *	10/1998	Briggs	A63B 9/00	D560,740 S *	1/2008	Phelps	D21/826
			472/117	D615,607 S *	5/2010	Hwang	D21/826
5,853,332 A *	12/1998	Briggs	A63B 9/00	D616,519 S *	5/2010	Hwang	D21/826
			472/128	D628,668 S *	12/2010	Kilgriff	D21/826
D413,957 S *	9/1999	Briggs	D21/826	D664,622 S *	7/2012	Orsulak	D21/686
D426,609 S *	6/2000	Manus	D21/826	D664,624 S *	7/2012	Orsulak	D21/826
D435,881 S *	1/2001	Gardner	D21/820	D697,988 S *	1/2014	Januszek	D21/686
D436,224 S *	1/2001	Gardner	D21/820	D729,334 S *	5/2015	Scott	D21/826
				D731,611 S *	6/2015	Klein	D21/826
				D743,499 S *	11/2015	Eroglu	D21/826

\* cited by examiner

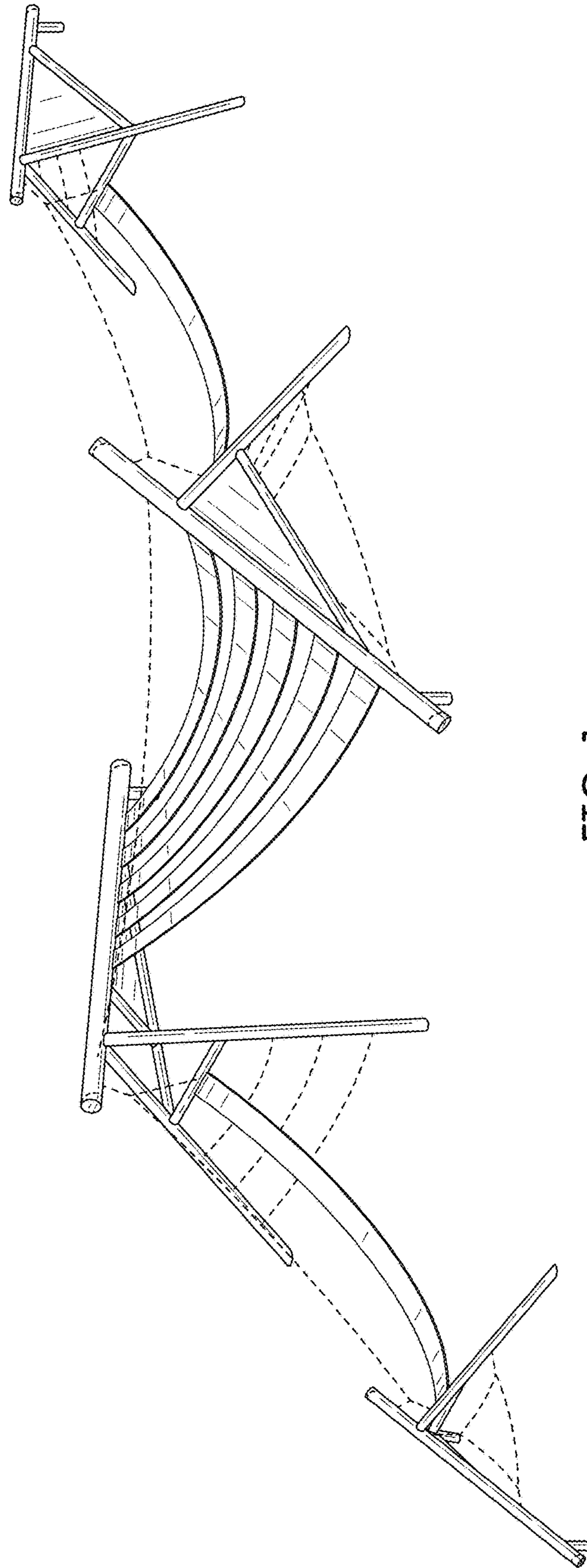


FIG. 1

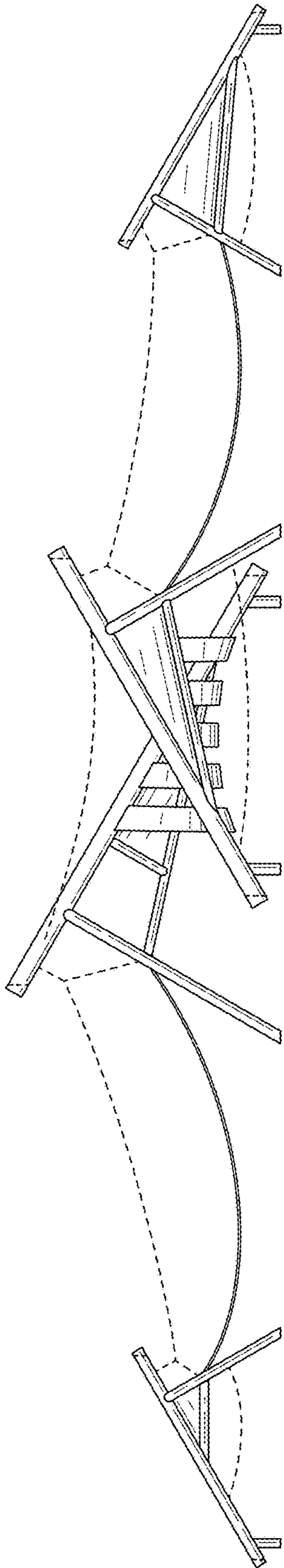


FIG. 2

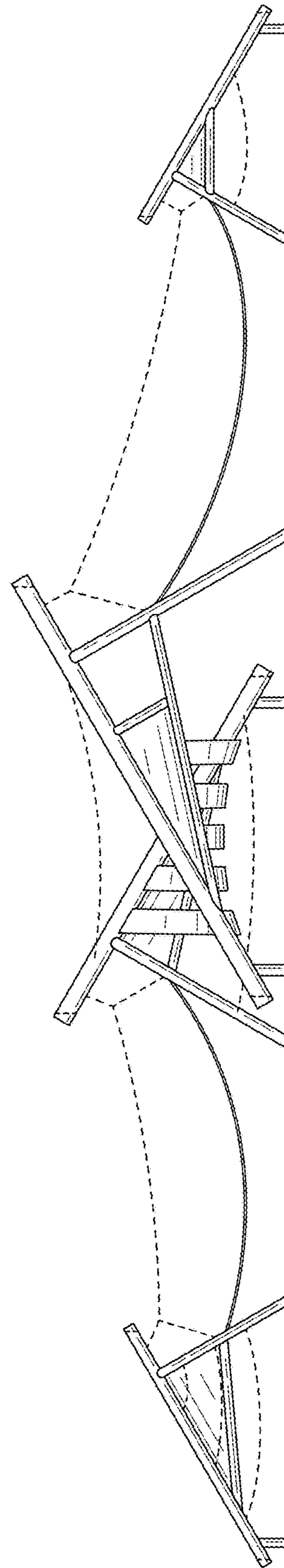


FIG. 3

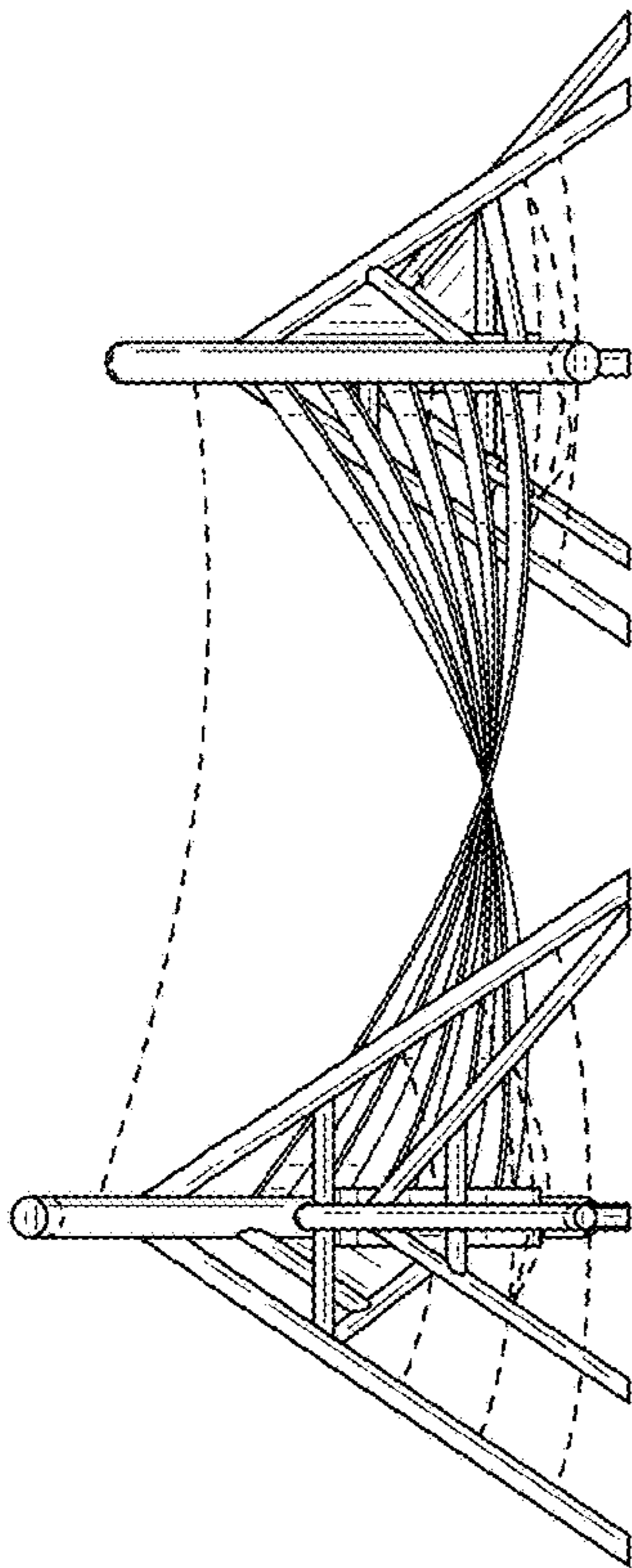


FIG. 4

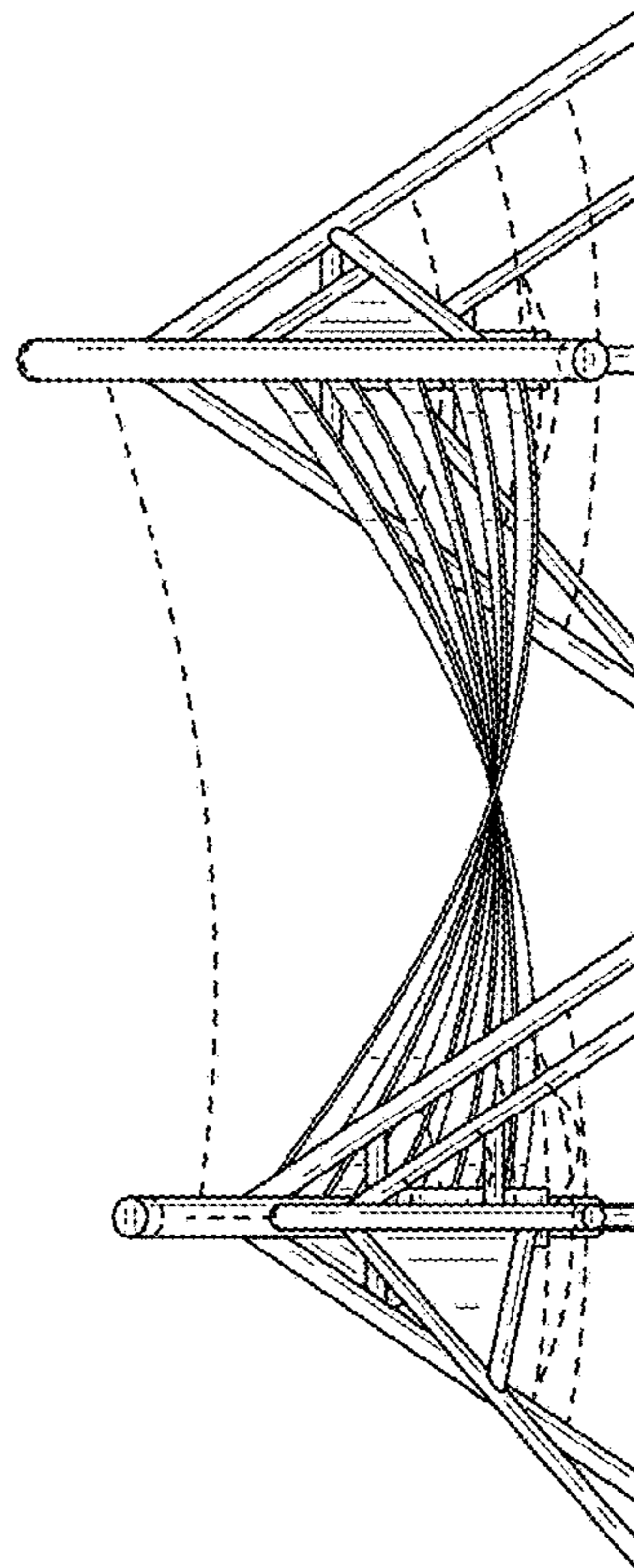


FIG. 5

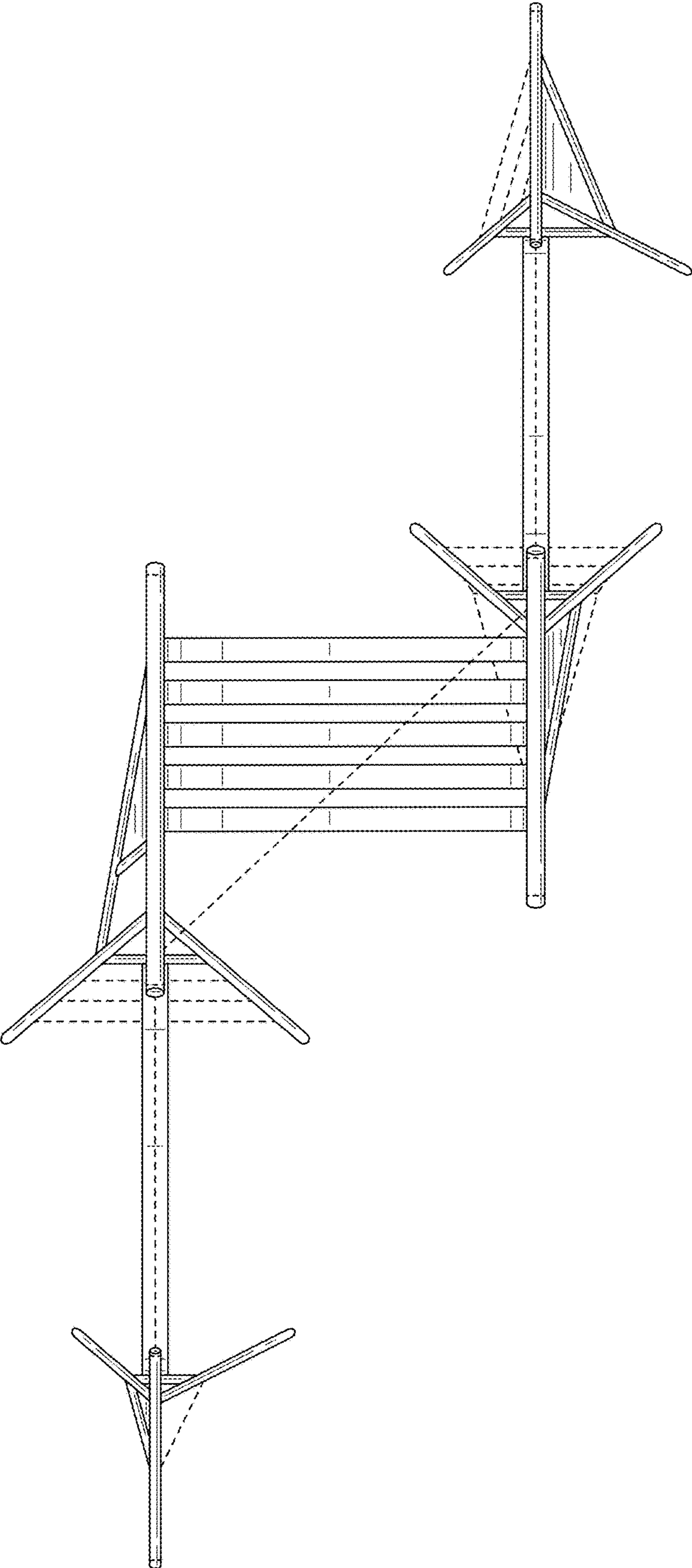


FIG. 6

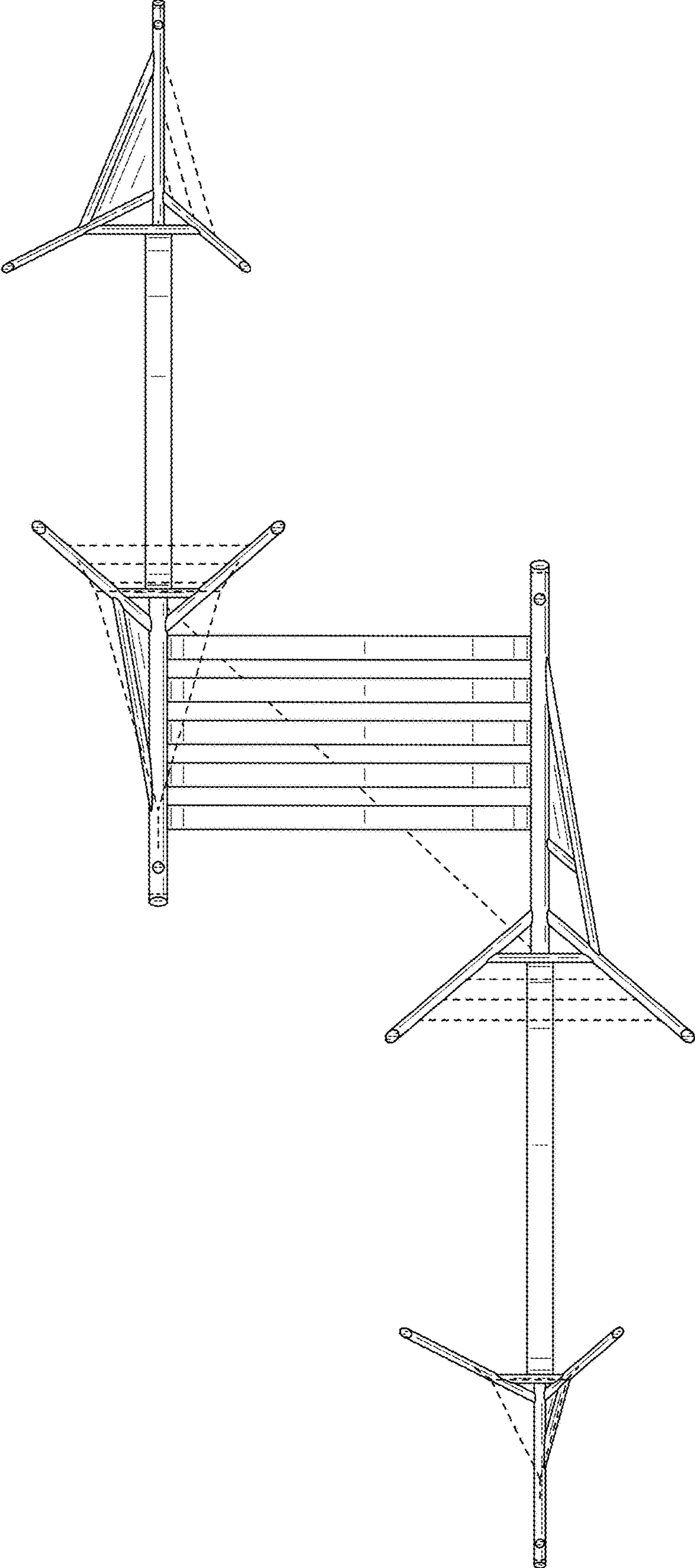


FIG. 7