



US00D809618S

(12) **United States Design Patent** (10) **Patent No.:** **US D809,618 S**  
**Hunter** (45) **Date of Patent:** **\*\* Feb. 6, 2018**

(54) <b>WATER RIDE</b>	6,354,955 B1 *	3/2002	Stuart	.....	A63G 21/18 104/70
(71) Applicant: <b>PROSLIDE TECHNOLOGY INC.,</b> Ottawa, Ontario (CA)	6,435,927 B1	8/2002	Fireman		
(72) Inventor: <b>Richard D. Hunter,</b> Ottawa (CA)	6,527,646 B1	3/2003	Briggs		
(73) Assignee: <b>ProSlide Technology, Inc.,</b> Ottawa (CA)	6,561,914 B2	5/2003	Henry		
(**) Term: <b>15 Years</b>	6,702,687 B1	3/2004	Henry		
(21) Appl. No.: <b>29/571,270</b>	6,743,108 B2	6/2004	Hunter		
(22) Filed: <b>Jul. 15, 2016</b>	6,758,231 B1	7/2004	Lochtefeld et al.		
	D521,098 S *	5/2006	Hunter	.....	A63G 31/007 D21/819
	7,229,359 B2	6/2007	Henry		
	D548,810 S *	8/2007	Hunter	.....	D21/821
	7,285,053 B2	10/2007	Henry et al.		
	D567,322 S *	4/2008	Hunter	.....	D21/821
	D583,895 S *	12/2008	Hlynka	.....	D21/821
	7,497,784 B2	3/2009	Henry		

(Continued)

**Related U.S. Application Data**

(63) Continuation of application No. PCT/CA2015/050159, filed on Mar. 15, 2015.

(51) **LOC (11) Cl.** ..... **21-03**

(52) **U.S. Cl.**  
USPC ..... **D21/821**

(58) **Field of Classification Search**  
USPC ..... D21/818-822  
CPC ..... A63G 21/00-21/22; A63G 31/007  
See application file for complete search history.

(56) **References Cited**

**U.S. PATENT DOCUMENTS**

2,604,055 A	7/1949	Snowden
3,000,022 A	9/1961	Cathey et al.
3,438,074 A	4/1969	Goyen
5,031,556 A	7/1991	Blee
5,213,547 A	5/1993	Lochtefeld
5,219,315 A	6/1993	Fuller et al.
5,503,597 A	4/1996	Lochtefeld
5,527,646 A	6/1996	Ogino et al.
5,716,282 A	2/1998	Ring
5,738,590 A	4/1998	Lochtefeld
6,006,672 A	12/1999	Newfarmer et al.

**FOREIGN PATENT DOCUMENTS**

CA	2654714 A1	3/2002
CA	2674329 A1	1/2011

(Continued)

*Primary Examiner* — Mitchell I. Siegel  
(74) *Attorney, Agent, or Firm* — Finnegan, Henderson, Farabow, Garrett & Dunner, L.L.P.

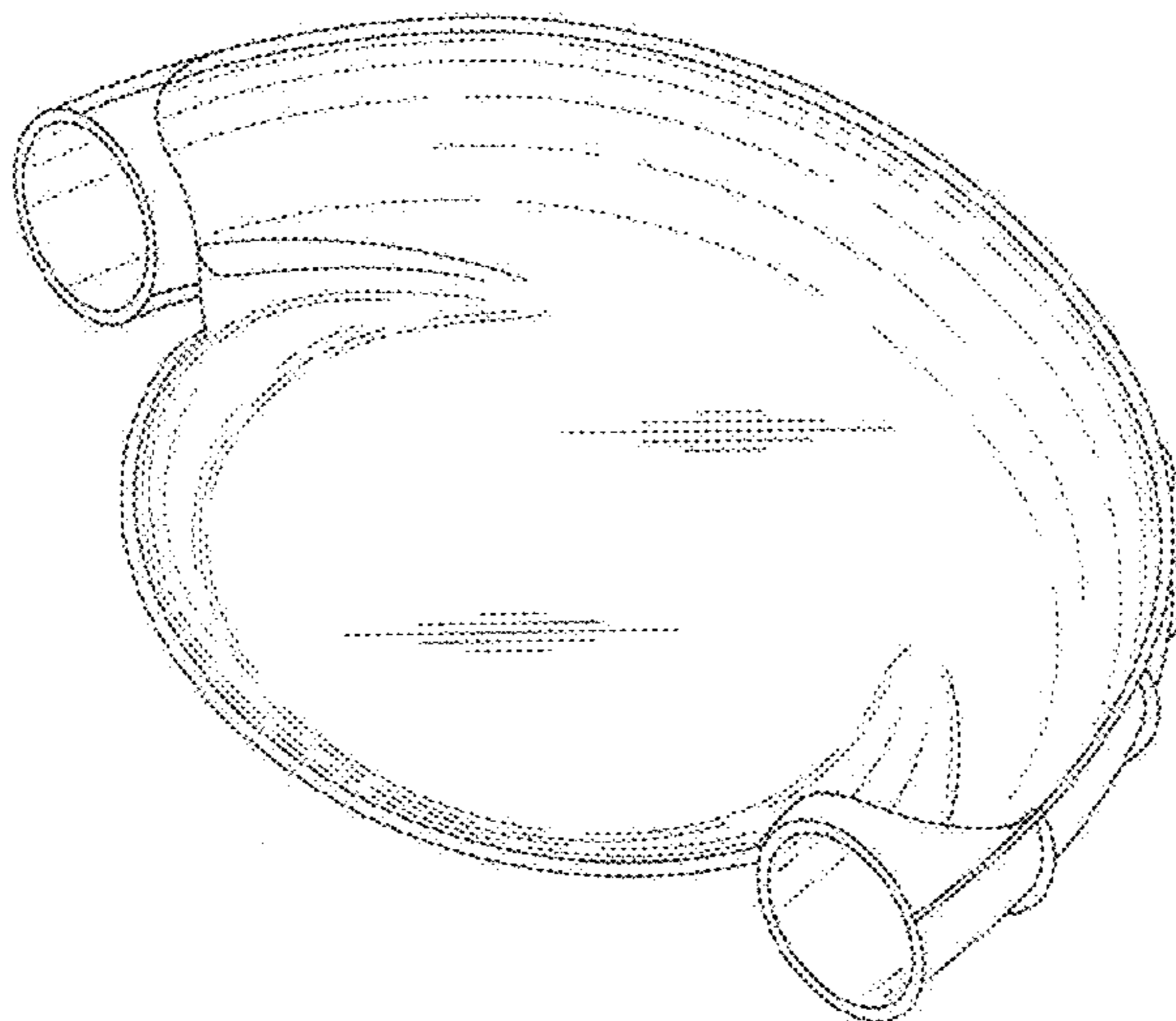
(57) **CLAIM**

The ornamental design of a water ride, as shown and described.

**DESCRIPTION**

FIG. 1 is a perspective view of a water ride showing my new design;  
FIG. 2 is a front view thereof;  
FIG. 3 is a rear view thereof;  
FIG. 4 is a left side view thereof;  
FIG. 5 is a right side view thereof;  
FIG. 6 is a top view thereof; and,  
FIG. 7 is a bottom view thereof.

**1 Claim, 7 Drawing Sheets**



# US D809,618 S

Page 2

(56)

## References Cited

### U.S. PATENT DOCUMENTS

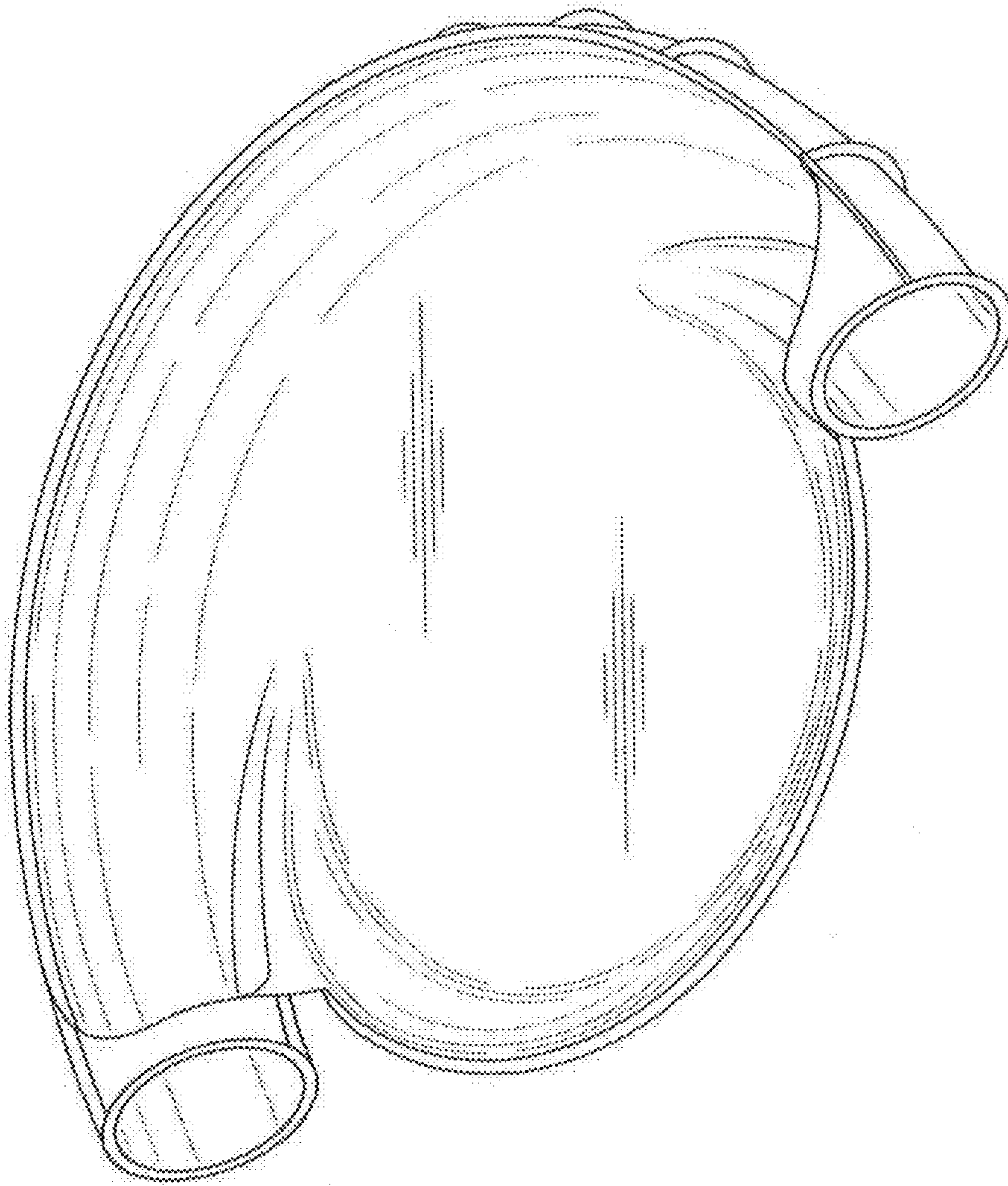
7,713,134 B2 \* 5/2010 Hunter ..... A63G 21/02  
472/117  
7,727,077 B2 6/2010 Henry et al.  
7,731,595 B2 6/2010 Hlynka  
7,740,542 B2 6/2010 Henry et al.  
7,758,435 B2 7/2010 Henry et al.  
7,758,535 B2 7/2010 Levine et al.  
7,762,900 B2 7/2010 Henry et al.  
7,766,753 B2 8/2010 Henry et al.  
7,780,537 B2 \* 8/2010 Hlynka ..... A63G 21/18  
472/117  
7,785,207 B2 8/2010 Henry et al.  
7,887,426 B2 \* 2/2011 Hlynka ..... A63G 21/18  
104/70  
7,942,752 B2 5/2011 Henry  
7,967,692 B2 6/2011 Werner  
D650,463 S \* 12/2011 Degirmenci ..... D21/819  
8,070,616 B2 12/2011 Dubois et al.  
8,075,413 B2 12/2011 Henry et al.  
8,079,916 B2 12/2011 Henry  
8,192,291 B2 \* 6/2012 Brassard ..... A63G 21/18  
104/69  
8,197,353 B2 \* 6/2012 Brassard ..... A63G 21/18  
104/69  
8,210,954 B2 7/2012 Henry et al.  
8,282,497 B2 10/2012 Henry et al.  
8,360,894 B2 \* 1/2013 Hlynka ..... A63G 31/007  
472/117

8,360,895 B2 1/2013 Brown  
8,430,760 B2 \* 4/2013 Brassard ..... A63G 21/18  
472/117  
8,453,579 B2 6/2013 Nemeth  
8,579,715 B2 11/2013 Olive et al.  
D705,381 S \* 5/2014 Brassard ..... D21/821  
D771,213 S \* 11/2016 Ozturk ..... D21/821  
D779,010 S \* 2/2017 Ozturk ..... D21/821  
2010/0160054 A1 6/2010 Henry  
2012/0201605 A1 8/2012 Hill  
2012/0258812 A1 10/2012 Osterman et al.  
2013/0184087 A1 7/2013 Degirmenci  
2016/0136527 A1 5/2016 Hunter  
2017/0043264 A1 2/2017 Hunter  
2017/0106295 A1 4/2017 Hunter

### FOREIGN PATENT DOCUMENTS

CA 2778601 A1 5/2011  
CA 2690687 A1 6/2011  
CN 2965159 5/2007  
CN 101417179 A 4/2009  
JP H-03258280 11/1991  
WO WO 88/05745 A1 8/1988  
WO WO 2012/048016 A2 4/2012  
WO WO 2013/000090 A1 1/2013  
WO WO 2014/059551 A1 4/2014  
WO WO 2015/161382 A1 10/2015  
WO WO 2015/188265 A1 12/2015

\* cited by examiner



**FIG. 1**

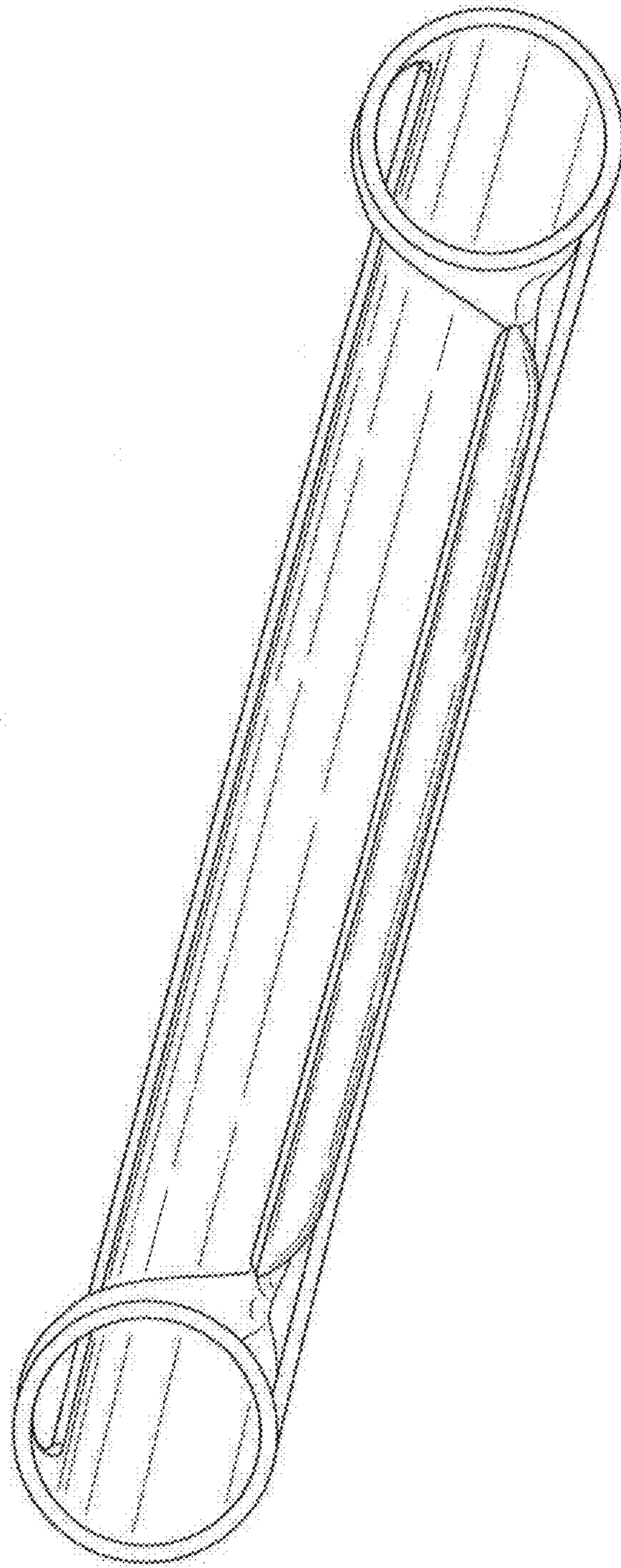


FIG. 2

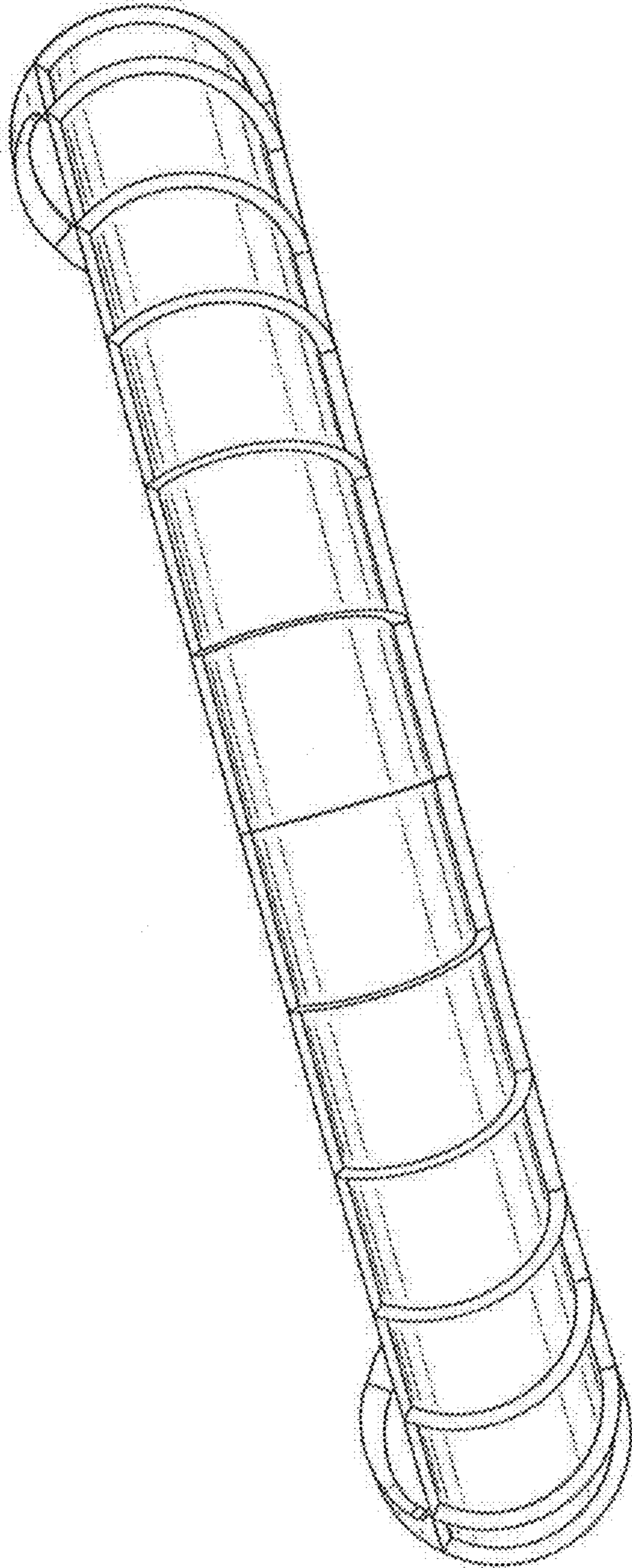


FIG. 3

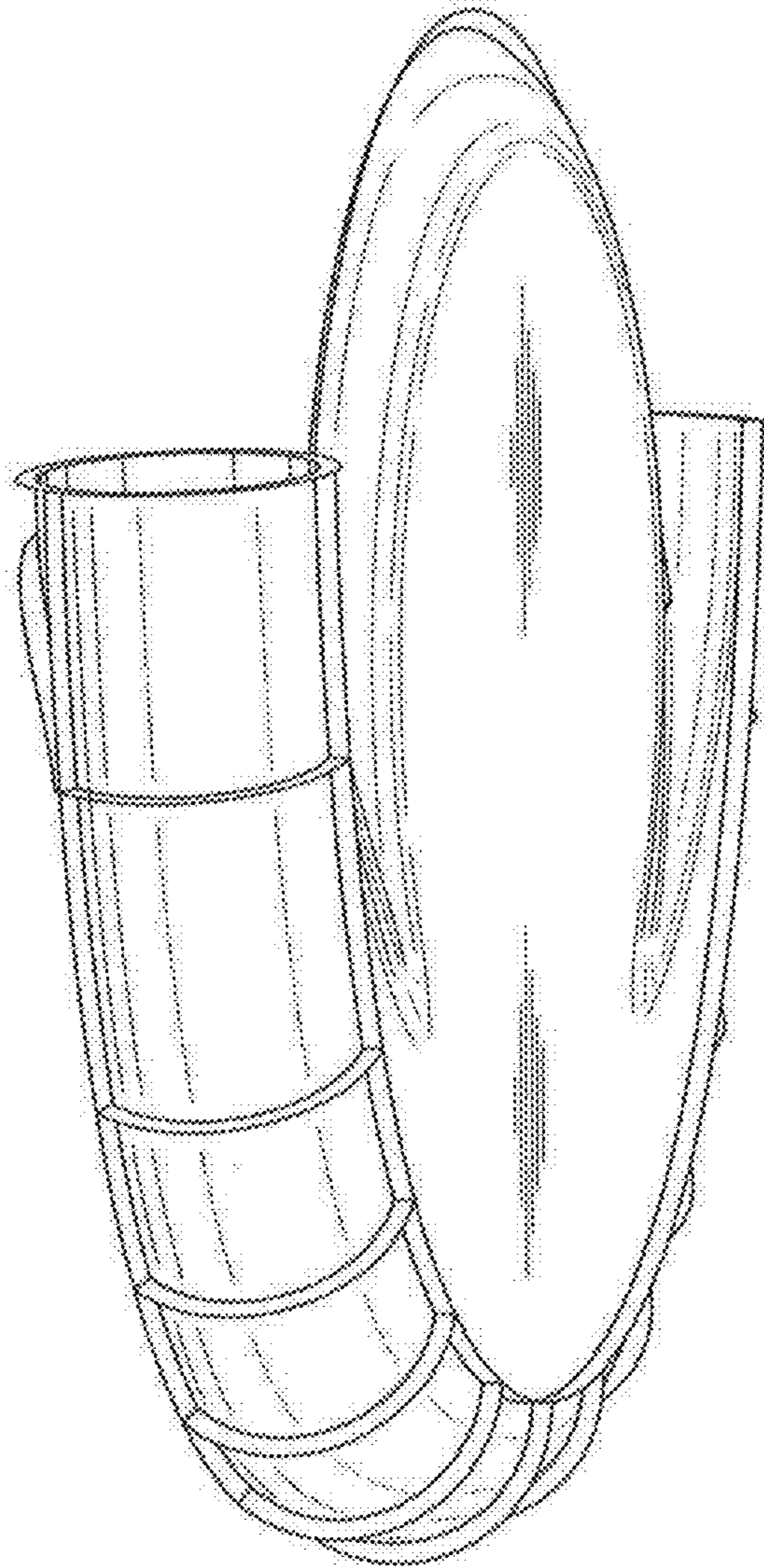


FIG. 4

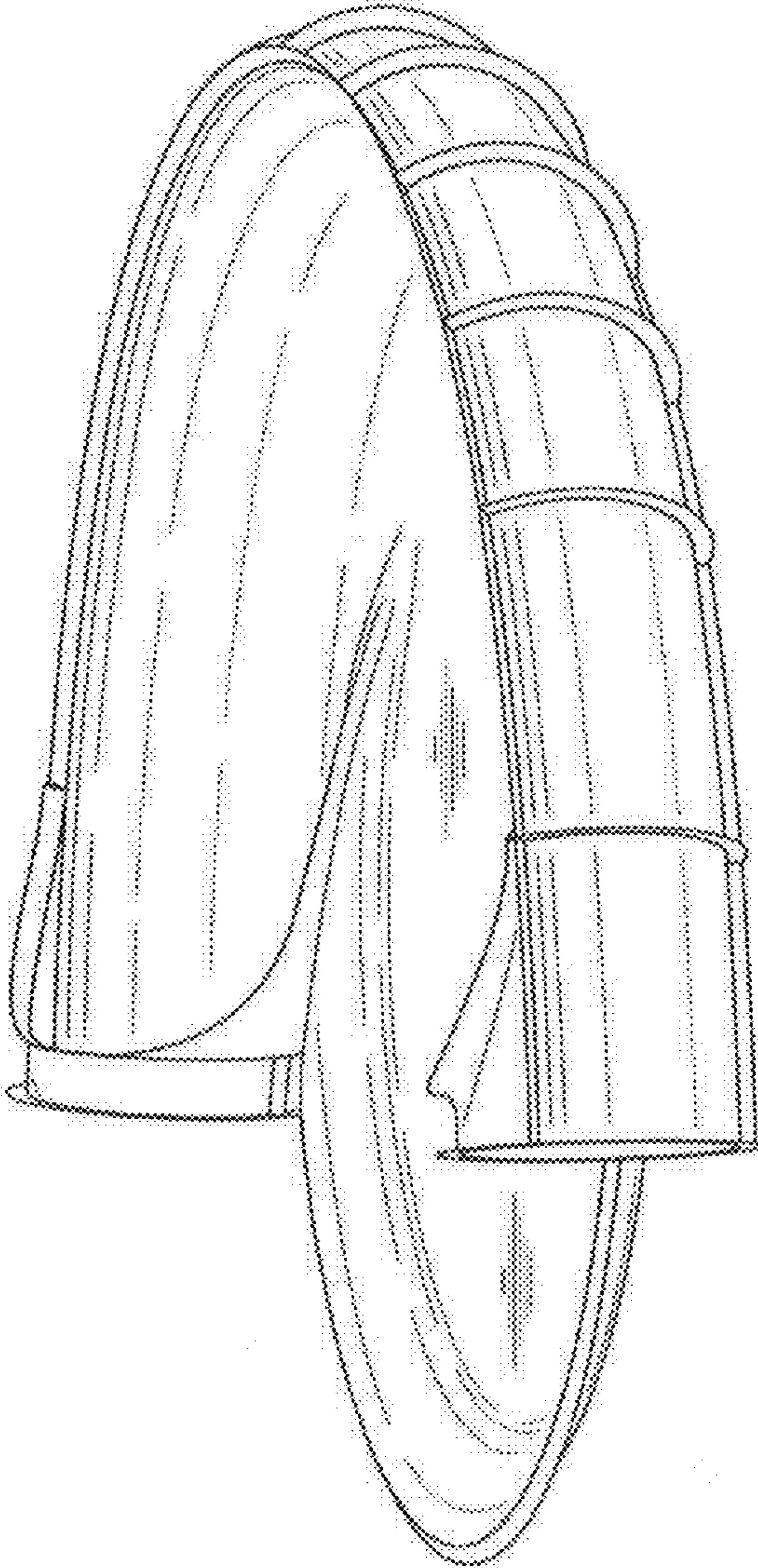


FIG. 5

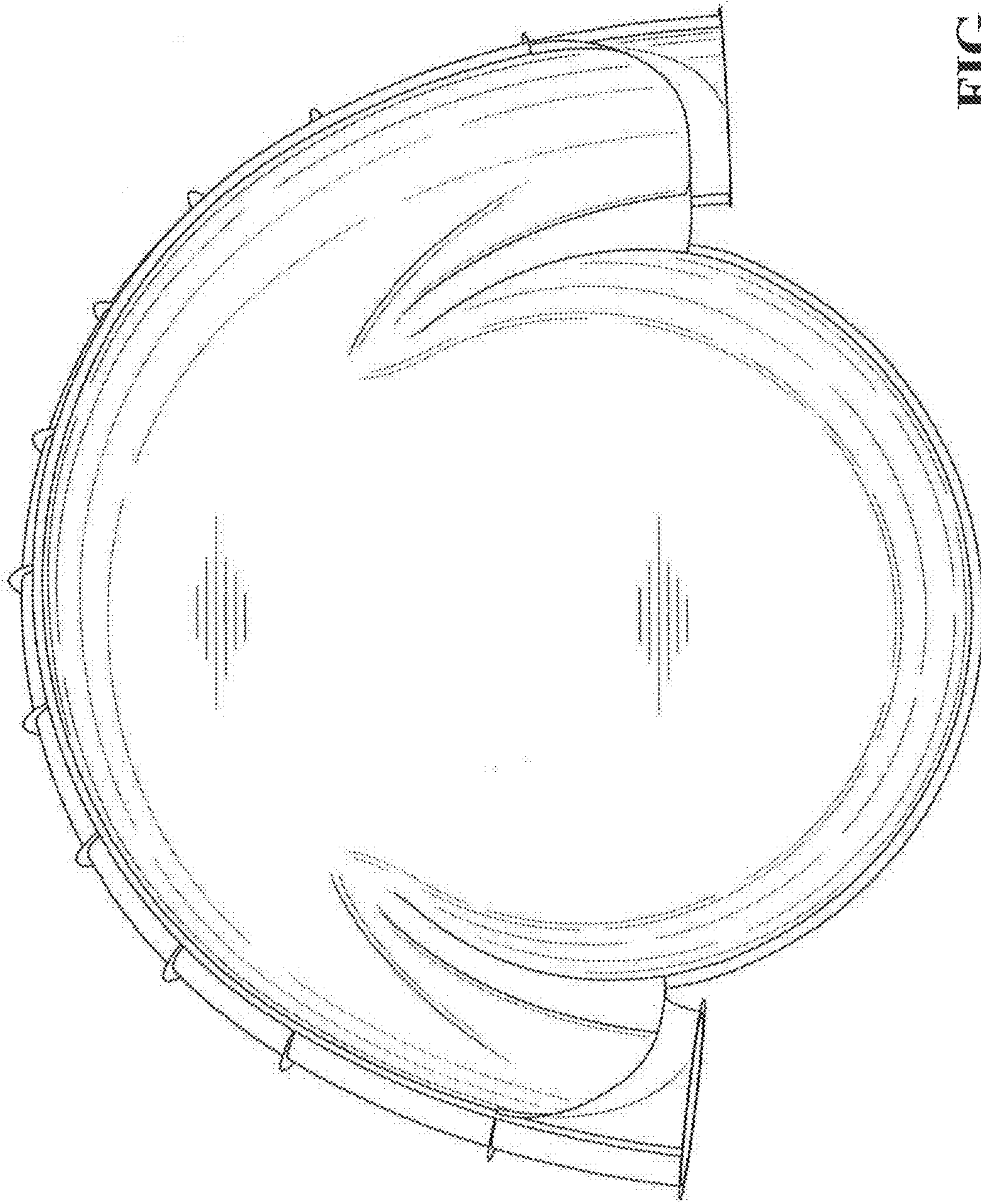


FIG. 6



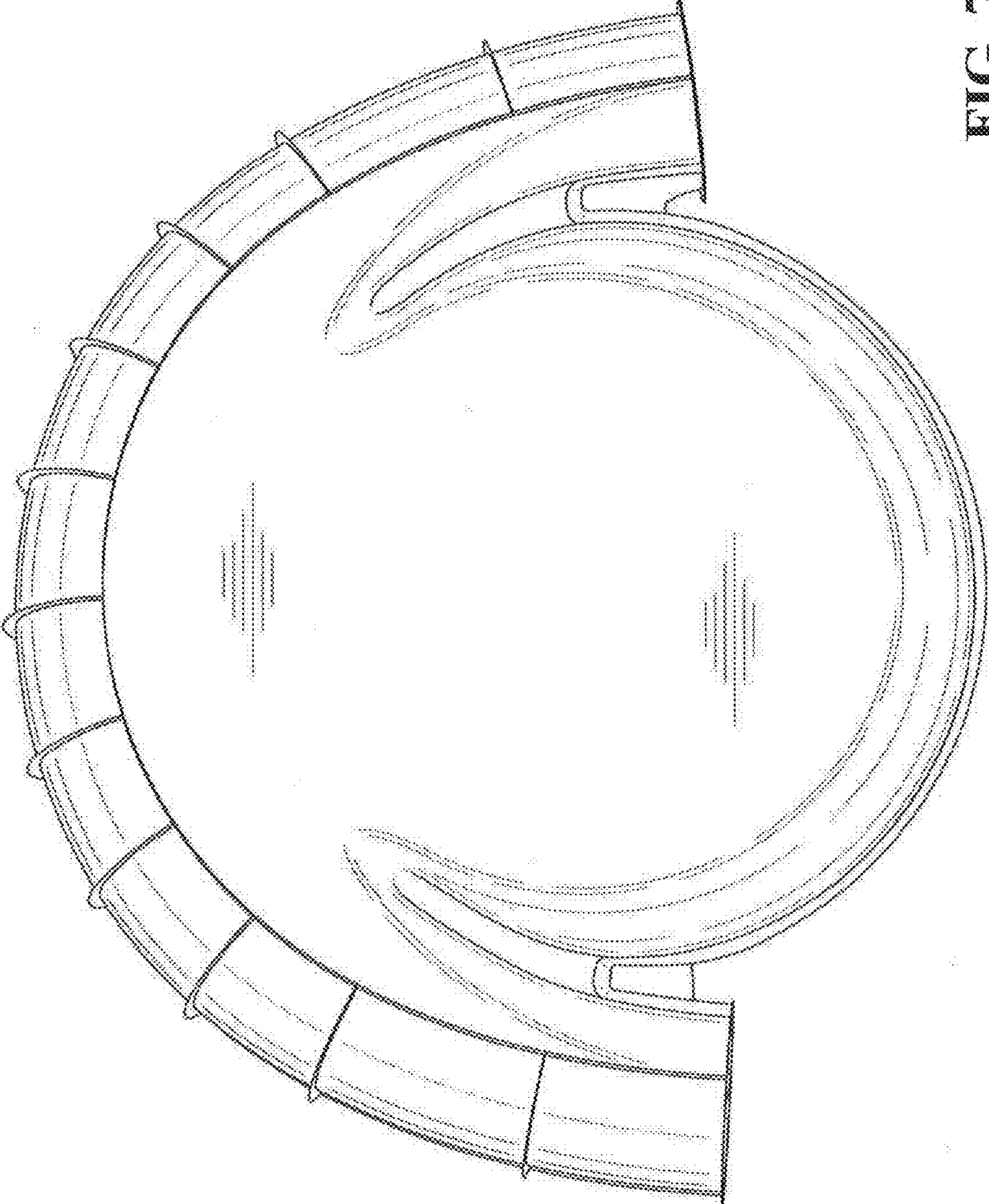


FIG. 7