



US00D809616S

(12) **United States Design Patent** (10) **Patent No.:** **US D809,616 S**
Toulon et al. (45) **Date of Patent:** **** Feb. 6, 2018**

(54) **GOLF CLUB HEAD**

(71) Applicant: **Callaway Golf Company**, Carlsbad, CA (US)

(72) Inventors: **Sean Toulon**, Vista, CA (US); **Anthony John Toulon**, Carlsbad, CA (US); **Billy Joe Taylor, III**, Vista, CA (US); **Joseph Edward Toulon**, San Marcos, CA (US)

(73) Assignee: **Callaway Gold Company**, Carlsbad, CA (US)

(**) Term: **15 Years**

(21) Appl. No.: **29/583,556**

(22) Filed: **Nov. 7, 2016**

(51) **LOC (11) Cl.** **21-02**

(52) **U.S. Cl.**
USPC **D21/736**

(58) **Field of Classification Search**
USPC D21/736-746, 759
CPC A63B 53/00; A63B 53/04; A63B 53/007;
A63B 53/065; A63B 53/0487; A63B
60/00; A63B 60/46
See application file for complete search history.

(56) **References Cited**

U.S. PATENT DOCUMENTS

D529,109 S * 9/2006 Jones D21/743
D600,759 S * 9/2009 Cokewell D21/736

D606,140 S * 12/2009 Ramsauer D21/743
D606,141 S * 12/2009 Ramsauer D21/743
D606,142 S * 12/2009 Ramsauer D21/743
D627,840 S * 11/2010 Cameron D21/736
D638,891 S * 5/2011 Nicolette D21/736
D701,928 S * 4/2014 Cameron D21/736
D720,410 S * 12/2014 Brandt D21/736
D783,745 S * 4/2017 Chen D21/743
D791,254 S * 7/2017 Ramsauer D21/744

* cited by examiner

Primary Examiner — Mitchell I. Siegel

(74) *Attorney, Agent, or Firm* — Rebecca Hanovice; Michael Catania; Sonia Lari

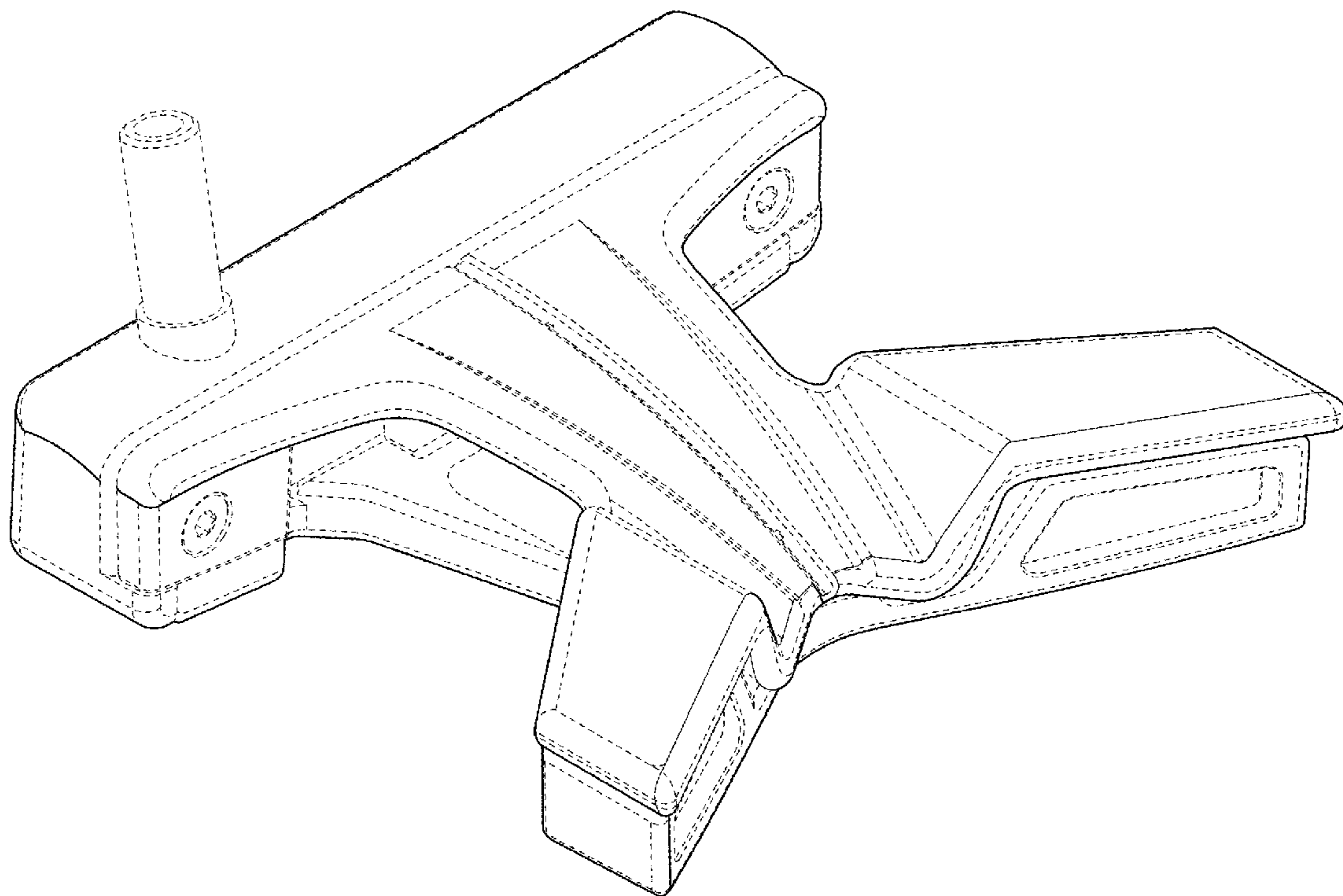
(57) **CLAIM**

The ornamental design for a golf club head, as shown and described.

DESCRIPTION

FIG. 1 is a top perspective view of the golf club head claimed herein;
FIG. 2 is a front elevational view thereof;
FIG. 3 is a rear elevational view thereof;
FIG. 4 is a left side elevational view thereof;
FIG. 5 is a right side elevational view thereof;
FIG. 6 is a top plan view thereof; and,
FIG. 7 is a bottom plan view thereof.
The broken lines are included for the purpose of illustration and form no part of the claimed design.

1 Claim, 5 Drawing Sheets



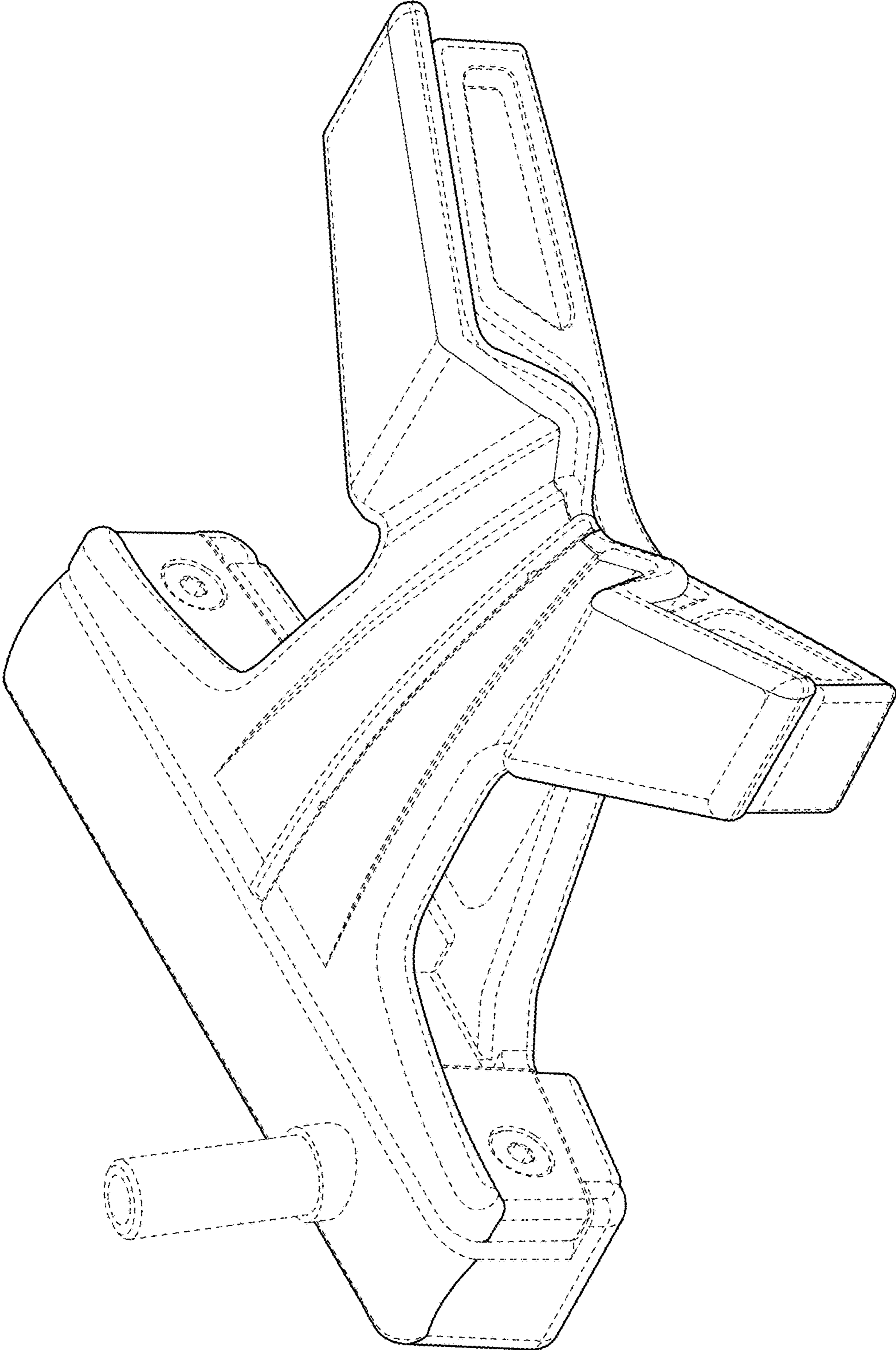


FIG. 1

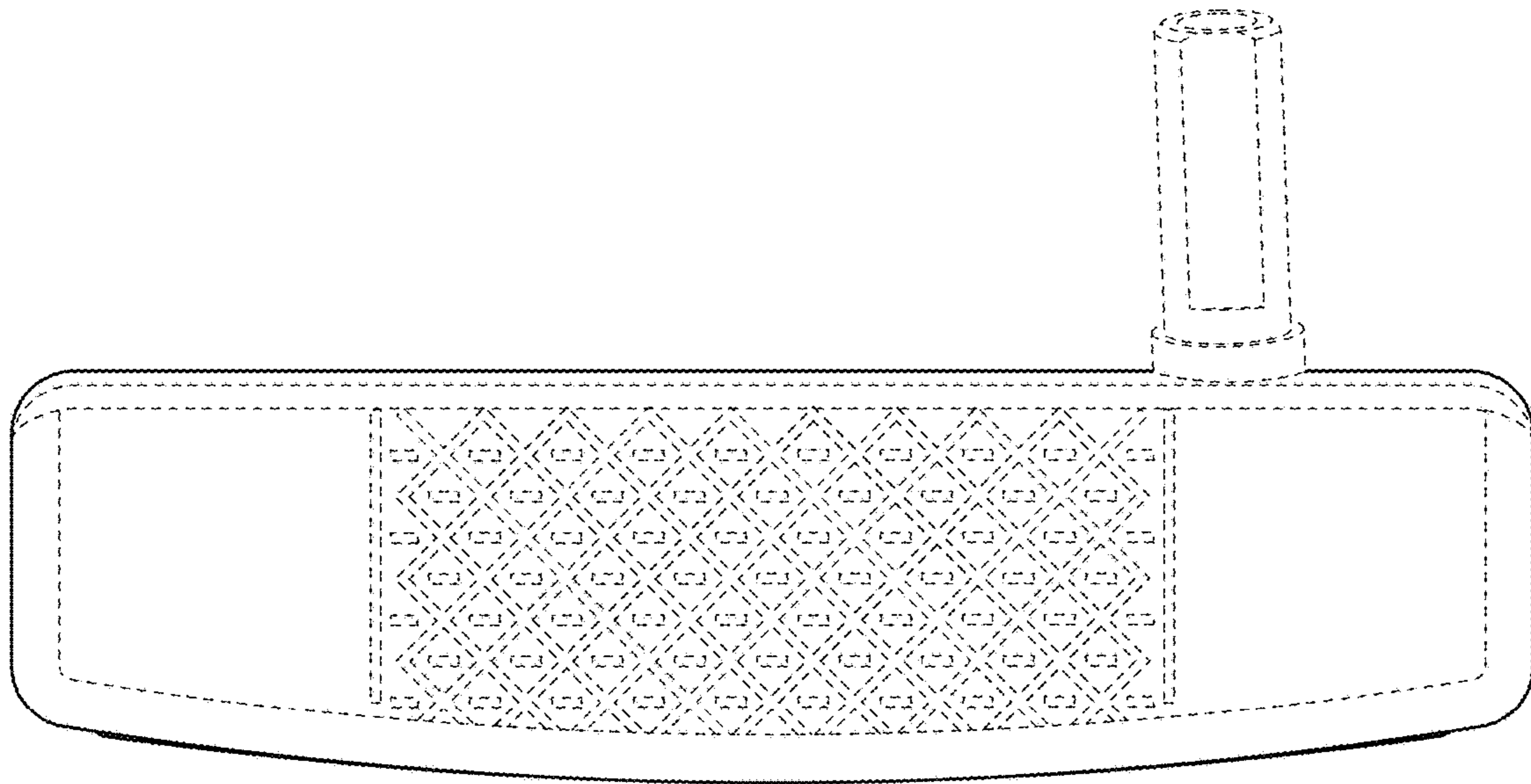


FIG. 2

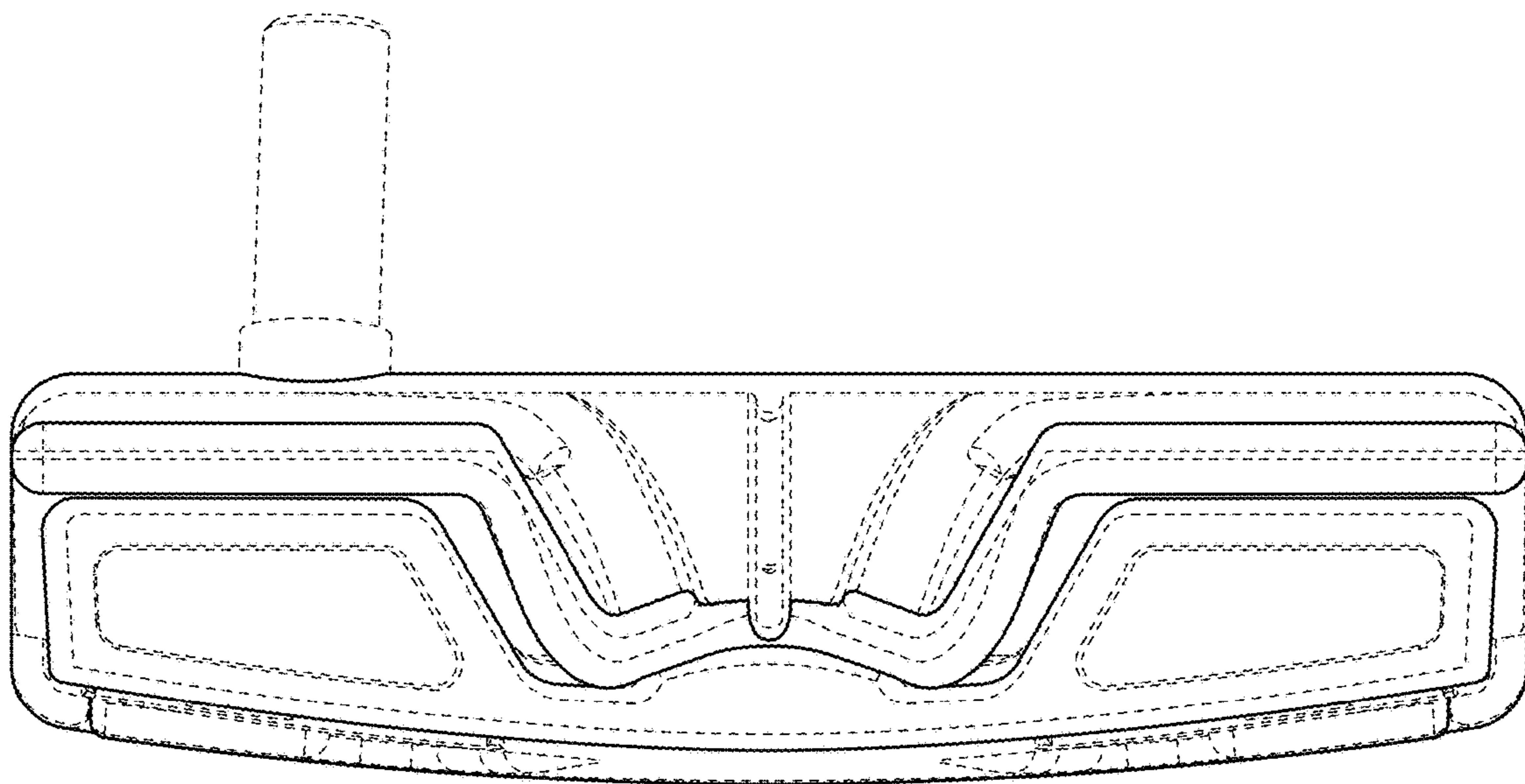


FIG. 3

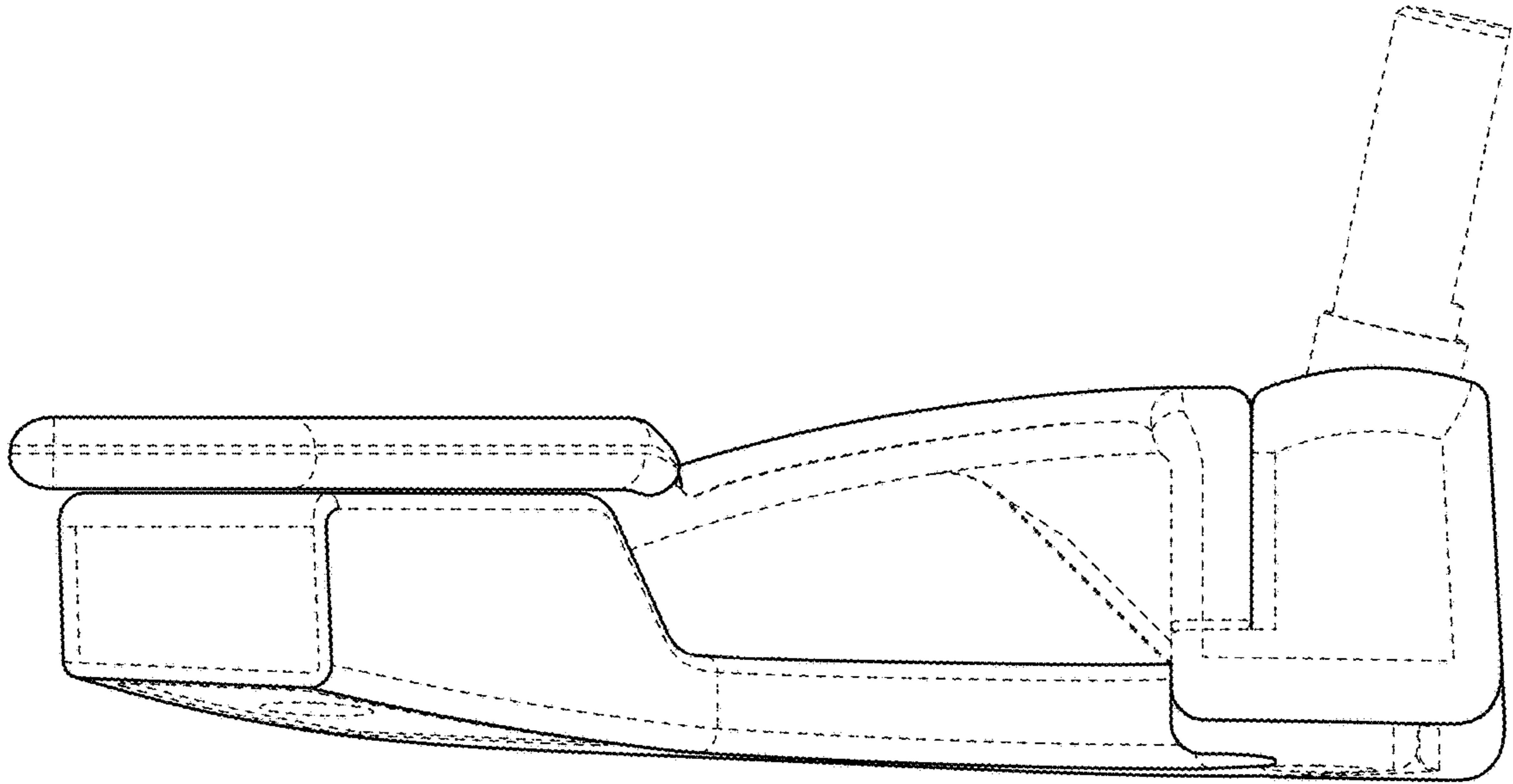


FIG. 4

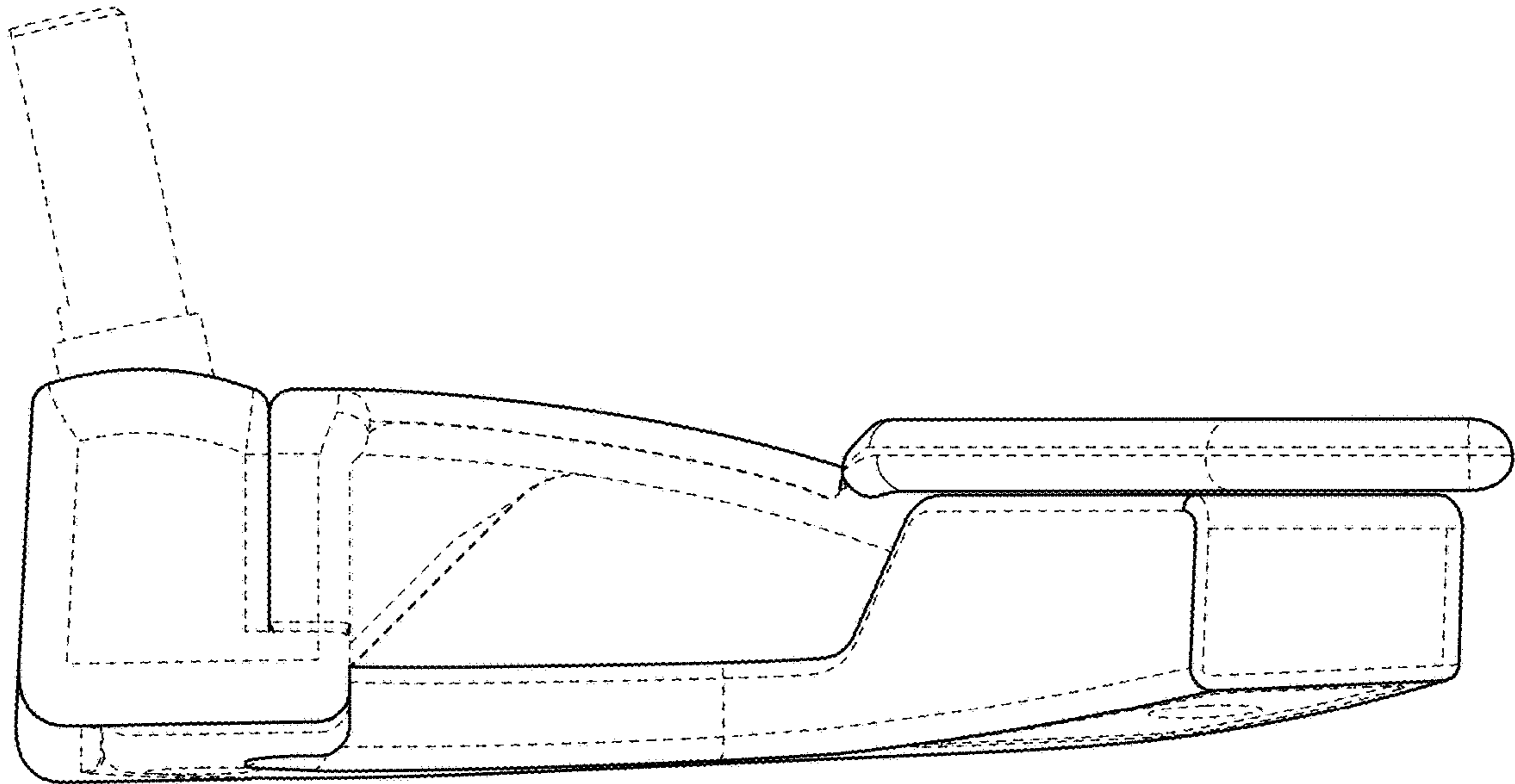


FIG. 5

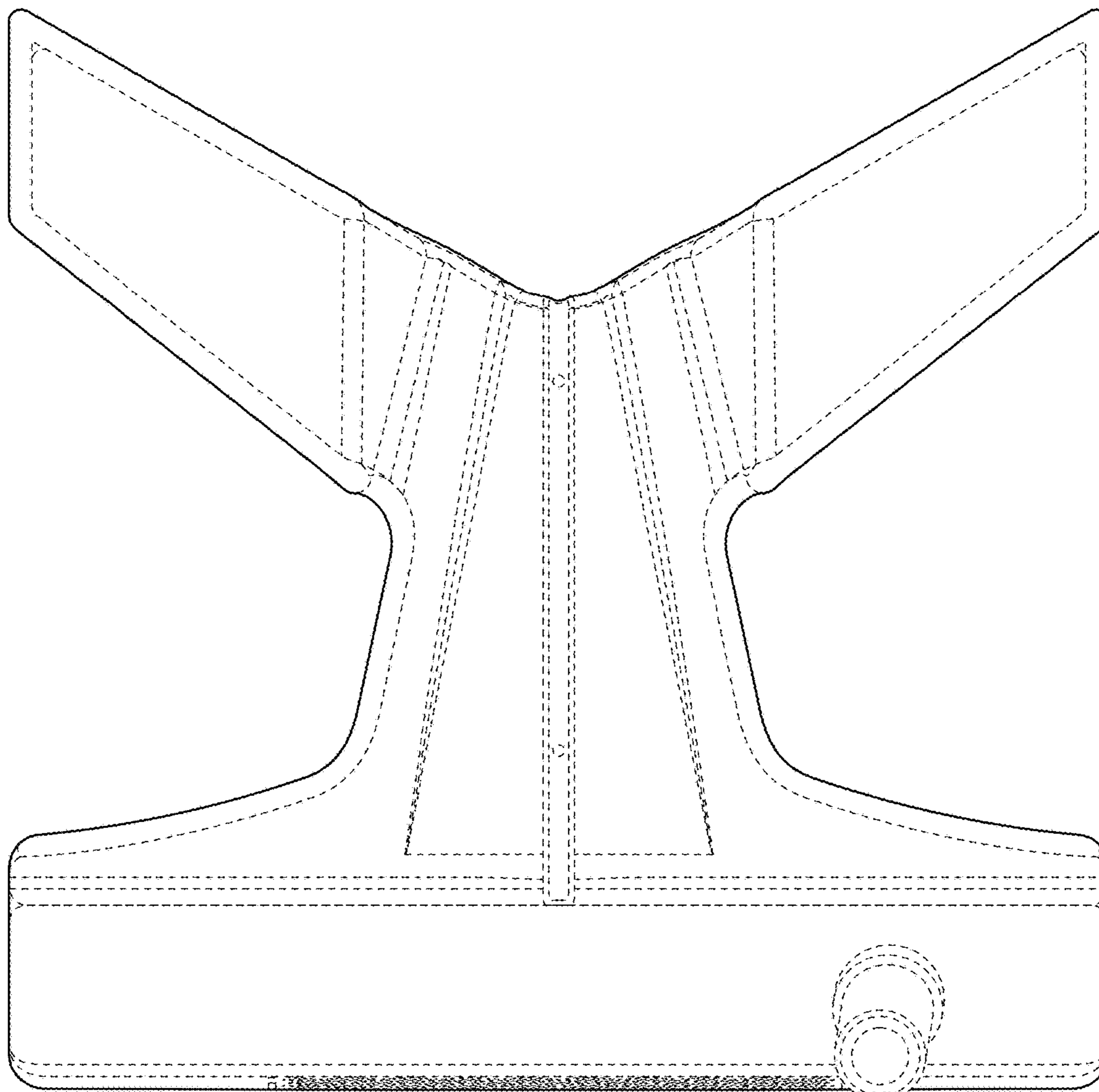


FIG. 6

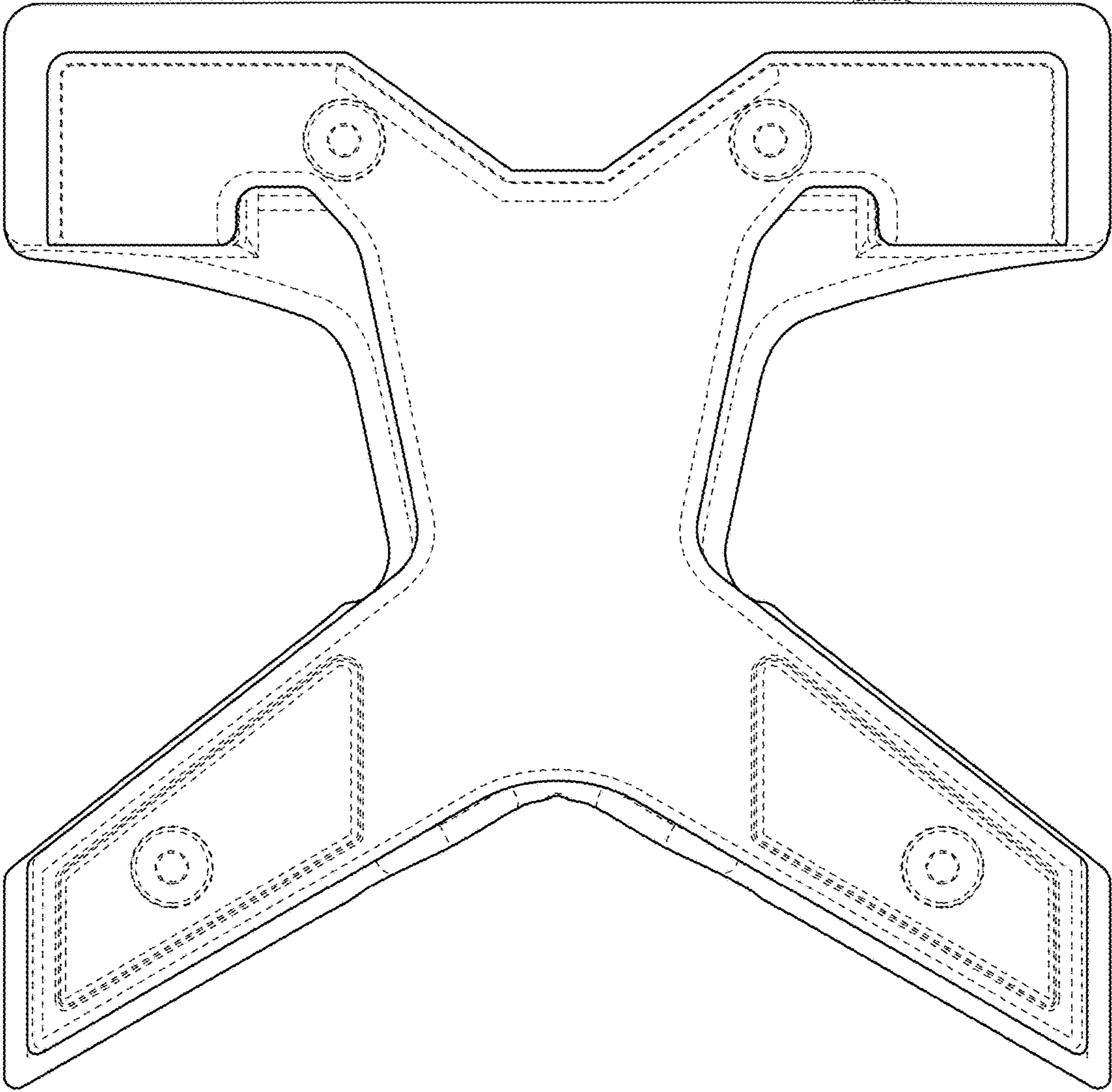


FIG. 7