



US00D809615S

(12) **United States Design Patent** (10) **Patent No.:** **US D809,615 S**
Ross (45) **Date of Patent:** **** Feb. 6, 2018**

(54) **RING FOR SUSPENSION TRAINER**
(71) Applicant: **Exemplar Design, LLC**, Mason, OH (US)
(72) Inventor: **Adam L. Ross**, Mason, OH (US)
(73) Assignee: **EXEMPLAR DESIGN, LLC**, Mason, OH (US)

D302,195 S * 7/1989 Orak D21/682
D438,265 S * 2/2001 Fenelon D21/682
D469,484 S * 1/2003 Dawson D21/662
D480,438 S * 10/2003 Walkow D21/681
D553,697 S * 10/2007 Hallar D21/682
D658,729 S * 5/2012 McLoughney D21/682
D662,558 S * 6/2012 Lovegrove D21/680
D722,348 S * 2/2015 Kessler D21/680
D733,815 S * 7/2015 Gustafson D21/694

(**) Term: **15 Years**
(21) Appl. No.: **29/590,263**

(22) Filed: **Jan. 9, 2017**
(51) **LOC (11) Cl.** **21-02**
(52) **U.S. Cl.**
USPC **D21/694**
(58) **Field of Classification Search**
USPC 248/301, 303; 482/104, 106, 108, 141,
482/44, 48; D10/82, 83; D21/662, 680,
D21/682, 684, 686, 694; D6/323;
D7/669, 682; D8/107
CPC A63B 21/4035; A63B 21/4043; A63B
23/03525
See application file for complete search history.

(56) **References Cited**

U.S. PATENT DOCUMENTS

D274,283 S * 6/1984 Wright 482/108
4,618,143 A * 10/1986 Twardosz A63B 21/0724
482/106
D301,510 S * 6/1989 Orak D21/684

OTHER PUBLICATIONS

Onnit, "Onnit Suspension Rings", Nov. 30, 2017. <https://www.onnit.com/suspension-rings/>. Shown on p. 1. (Year: 2017).*

* cited by examiner

Primary Examiner — Cynthia Ramirez
Assistant Examiner — Michael A Maharajh
(74) *Attorney, Agent, or Firm* — Baker & Hostetler LLP

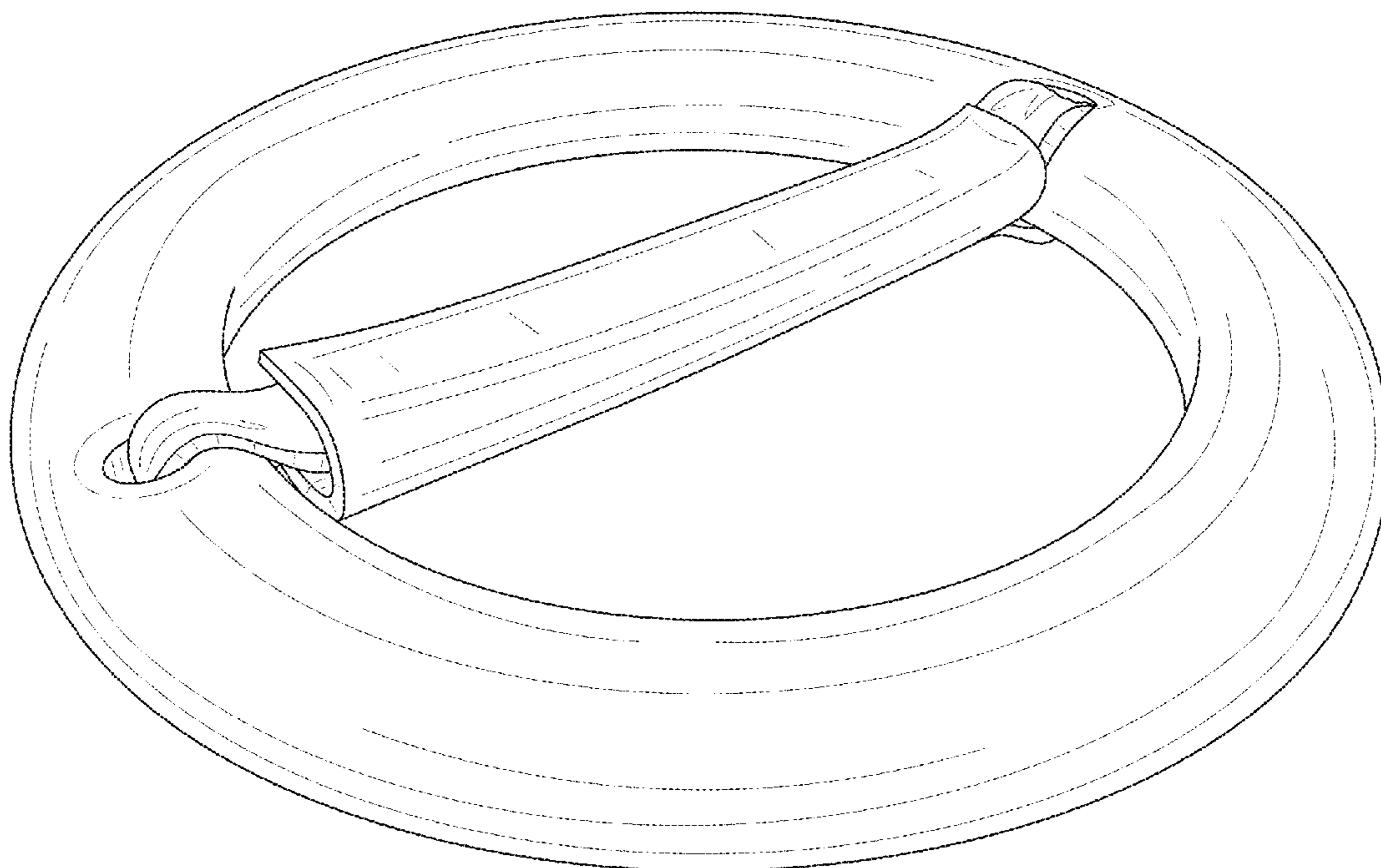
(57) **CLAIM**

The ornamental design for a ring for suspension trainer, as shown and described.

DESCRIPTION

FIG. 1 is a top perspective view of the ring for suspension trainer showing my new design;
FIG. 2 is a top plan view thereof;
FIG. 3 is a bottom plan view thereof;
FIG. 4 is a left side elevation view thereof;
FIG. 5 is a right side elevation view thereof;
FIG. 6 is a front side elevation view thereof; and,
FIG. 7 is a back side elevation view thereof.

1 Claim, 5 Drawing Sheets



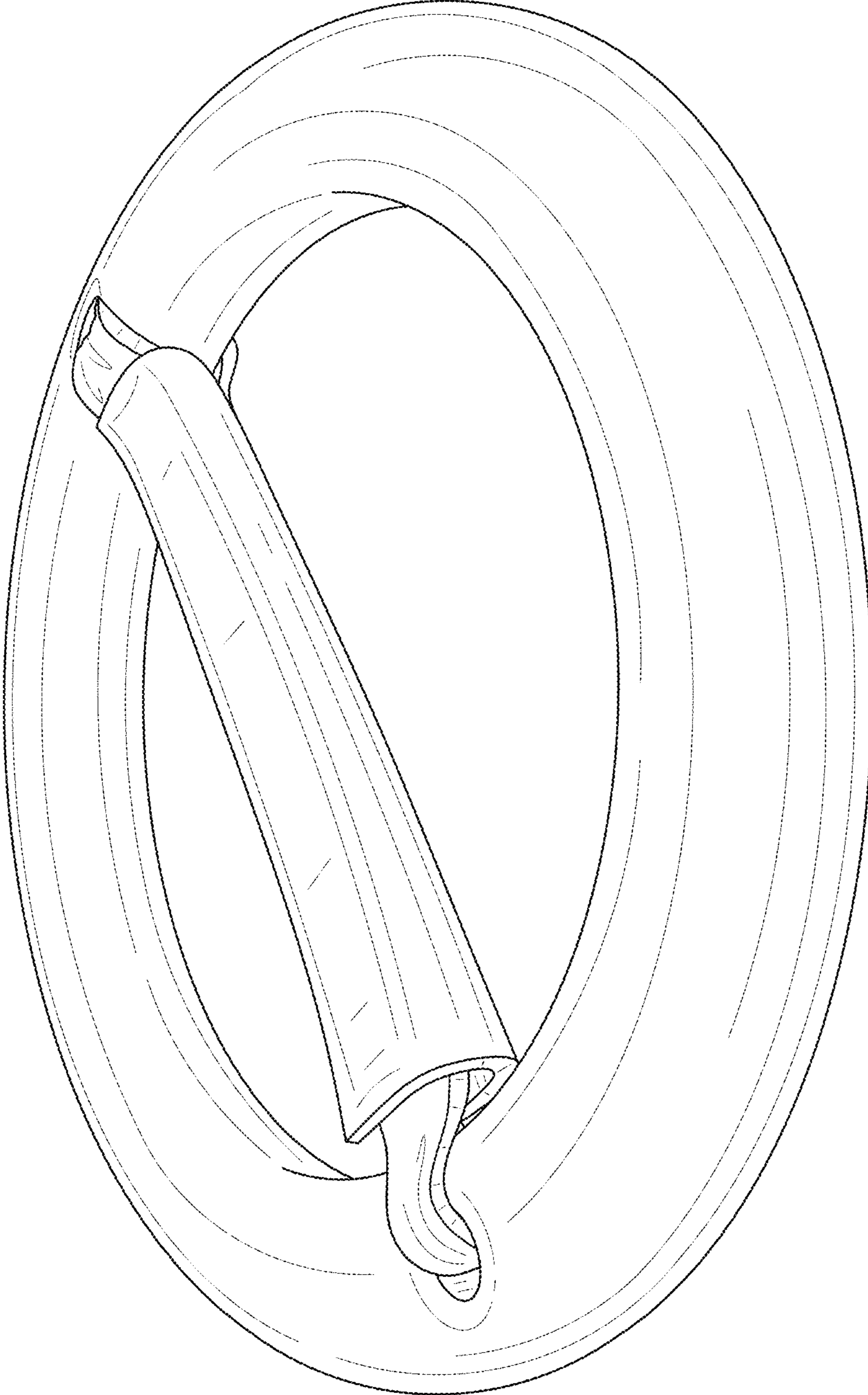


FIG. 1

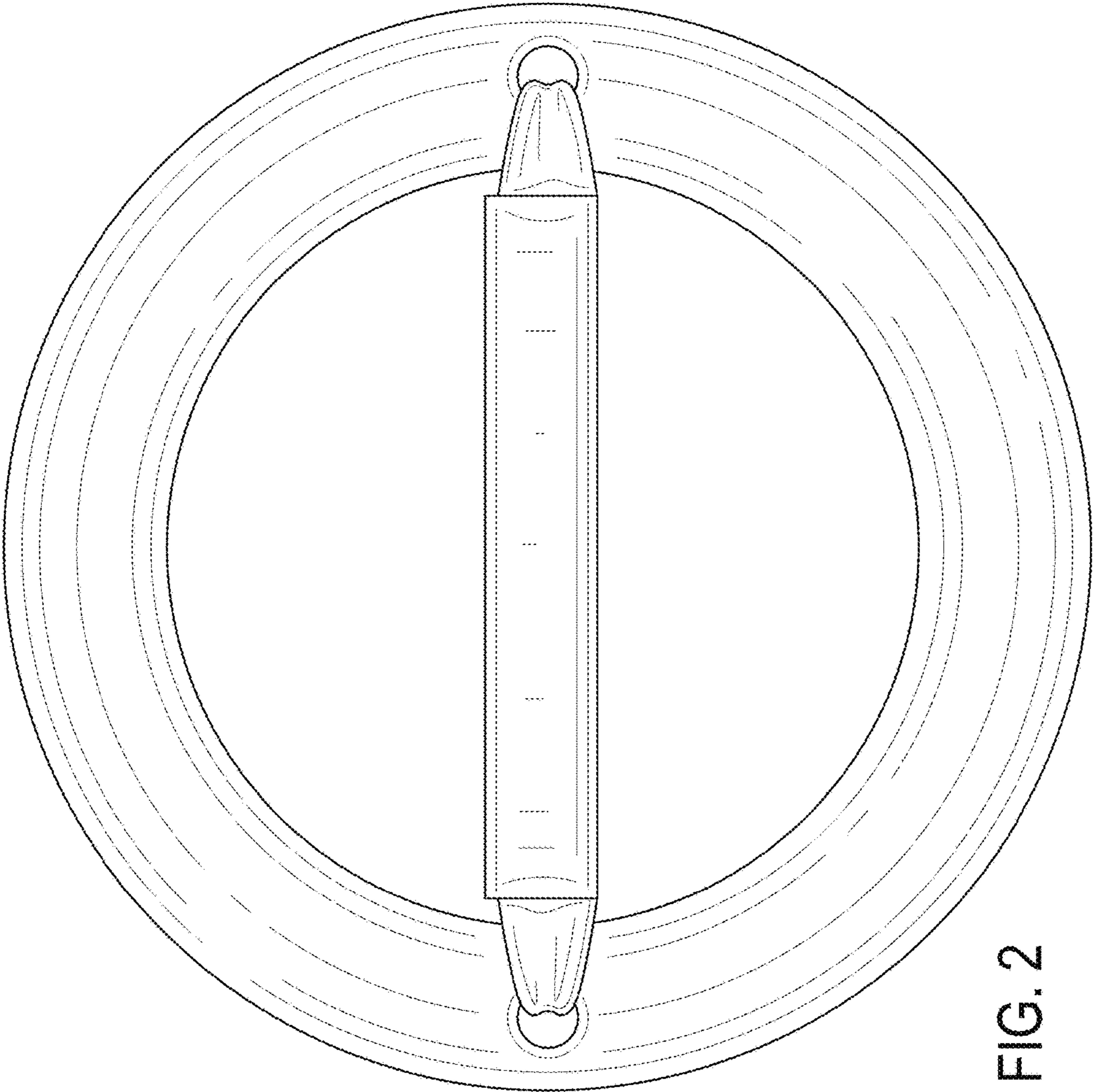


FIG. 2

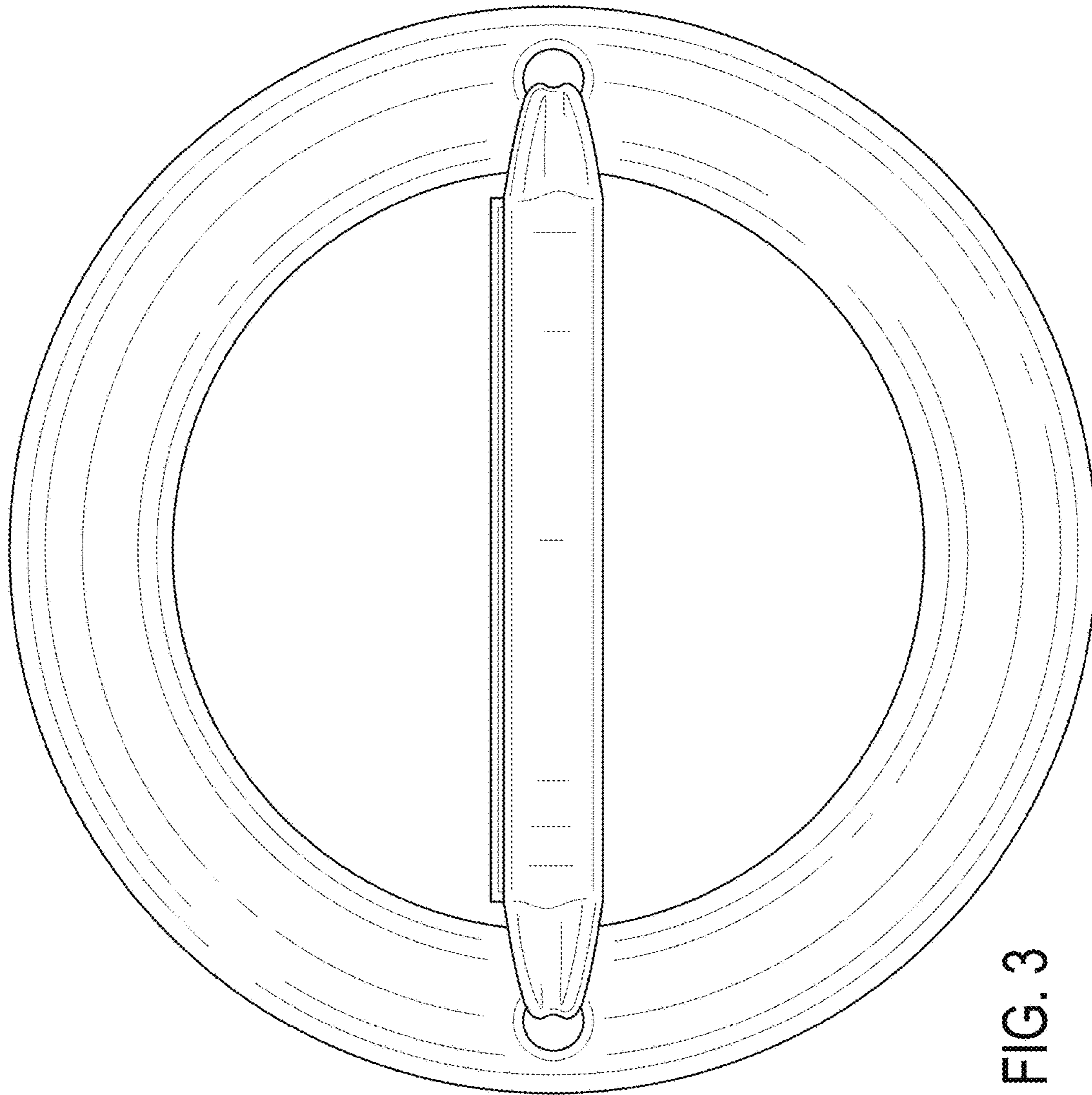


FIG. 3

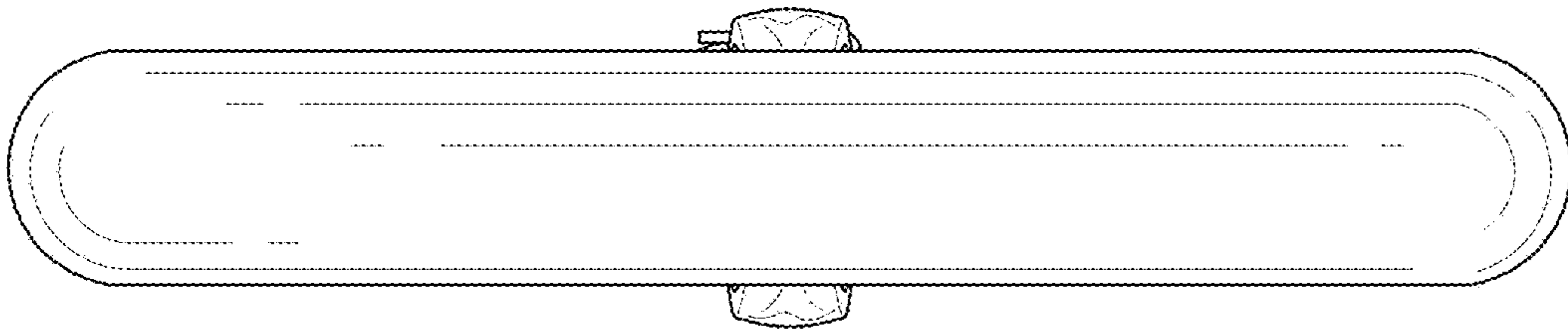


FIG. 5

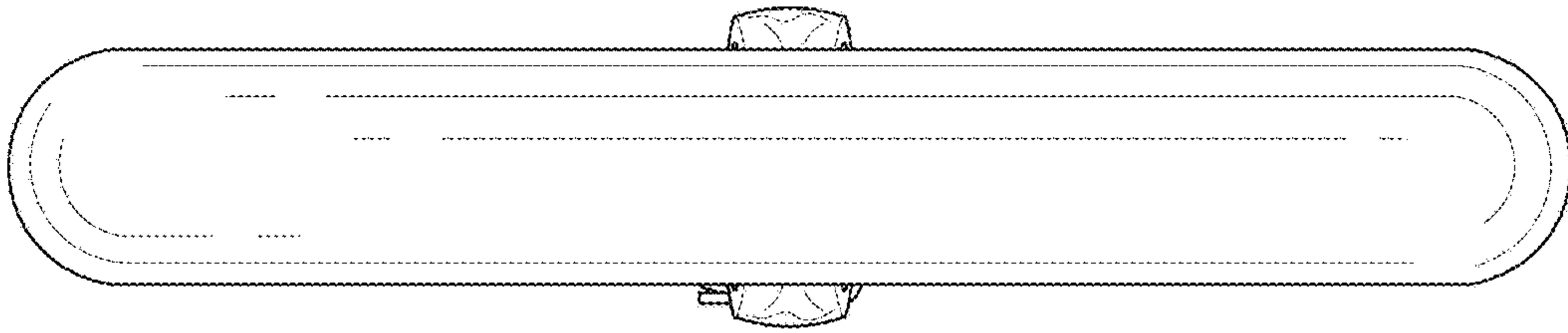


FIG. 4

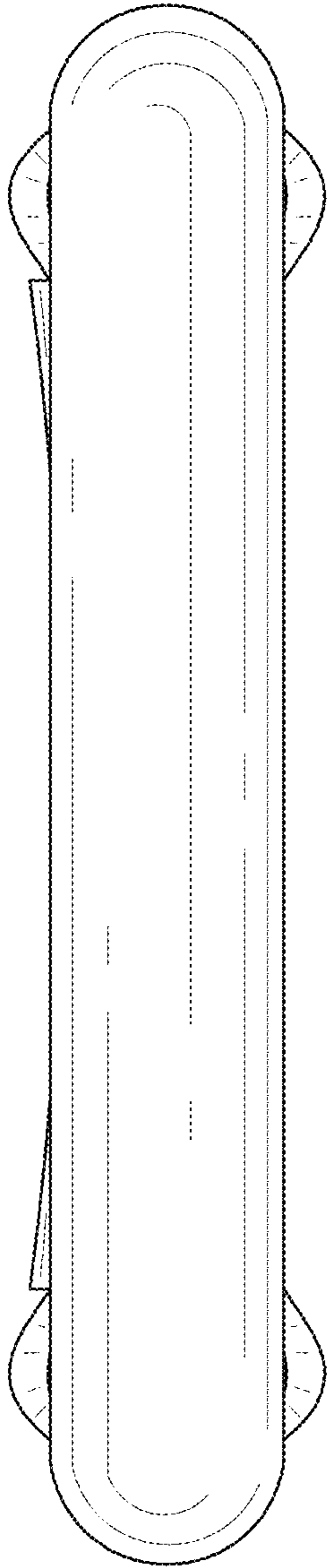


FIG. 6

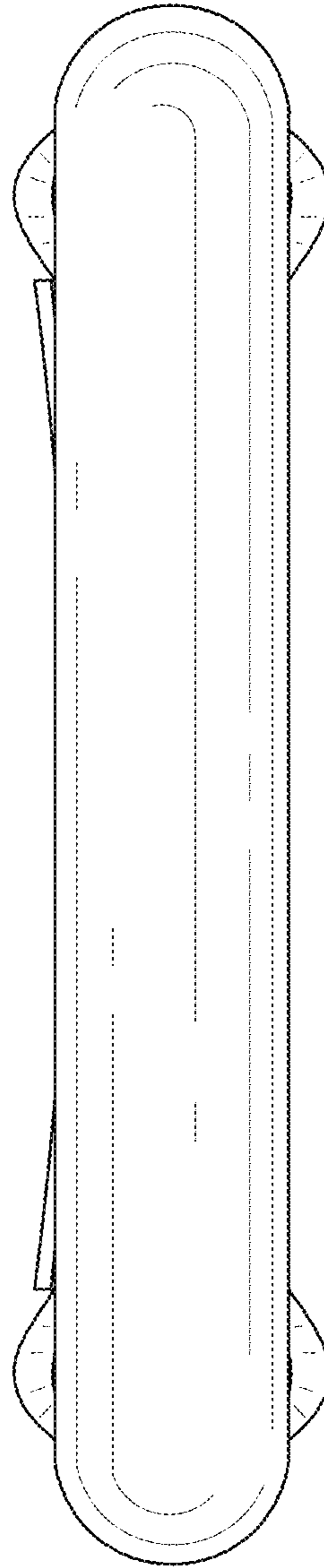


FIG. 7